



US00D736839S

(12) **United States Design Patent**  
**Shimano et al.**

(10) **Patent No.:** **US D736,839 S**  
(45) **Date of Patent:** **\*\* Aug. 18, 2015**

(54) **ELECTRIC DISCHARGE MACHINE**

(71) Applicant: **mitsubishi electric corporation**, Tokyo (JP)

(72) Inventors: **Hiroichiro Shimano**, Tokyo (JP); **Yoji Nakajima**, Tokyo (JP)

(73) Assignee: **Mitsubishi Electric Corporation**, Tokyo (JP)

(\*\*) Term: **14 Years**

(21) Appl. No.: **29/495,408**

(22) Filed: **Jun. 30, 2014**

(30) **Foreign Application Priority Data**

Mar. 28, 2014 (JP) ..... 2014-006687  
Mar. 28, 2014 (JP) ..... 2014-006688

(51) **LOC (10) Cl.** ..... **15-09**

(52) **U.S. Cl.**  
USPC ..... **D15/122; D15/127**

(58) **Field of Classification Search**  
USPC ..... D15/122, 127, 130  
See application file for complete search history.

(56) **References Cited**

**U.S. PATENT DOCUMENTS**

D286,407 S \* 10/1986 Itoh et al. .... D15/127  
D388,103 S \* 12/1997 Gotou et al. .... D15/127

5,914,054 A \* 6/1999 Ito et al. .... 219/69.11  
D427,614 S \* 7/2000 Miyake et al. .... D15/127  
D551,268 S \* 9/2007 Iwamoto et al. .... D15/127  
D668,277 S \* 10/2012 Miyake et al. .... D15/127  
D668,278 S \* 10/2012 Miyake et al. .... D15/127  
D701,253 S \* 3/2014 Thoma ..... D15/127  
D716,857 S \* 11/2014 Shimano et al. .... D15/127

\* cited by examiner

*Primary Examiner* — Patricia Palasik

(74) *Attorney, Agent, or Firm* — Studebaker & Brackett PC

(57) **CLAIM**

The ornamental design for an electric discharge machine, as shown and described.

**DESCRIPTION**

FIG. 1 is a perspective view of the front, right, and top sides of an electric discharge machine showing a first embodiment of our new design;

FIG. 2 is a front view thereof;

FIG. 3 is a rear view thereof;

FIG. 4 is a left side view thereof;

FIG. 5 is a right side view thereof;

FIG. 6 is a top view thereof; and,

FIG. 7 is an end view of cutting part at 7-7 with omitting the interior mechanism.

The broken lines shown represent unclaimed subject matter of electric discharge machine and form no part of the claimed design.

The bottom views of the above two-embodiments are omitted, since they show no ornamental features.

**1 Claim, 7 Drawing Sheets**

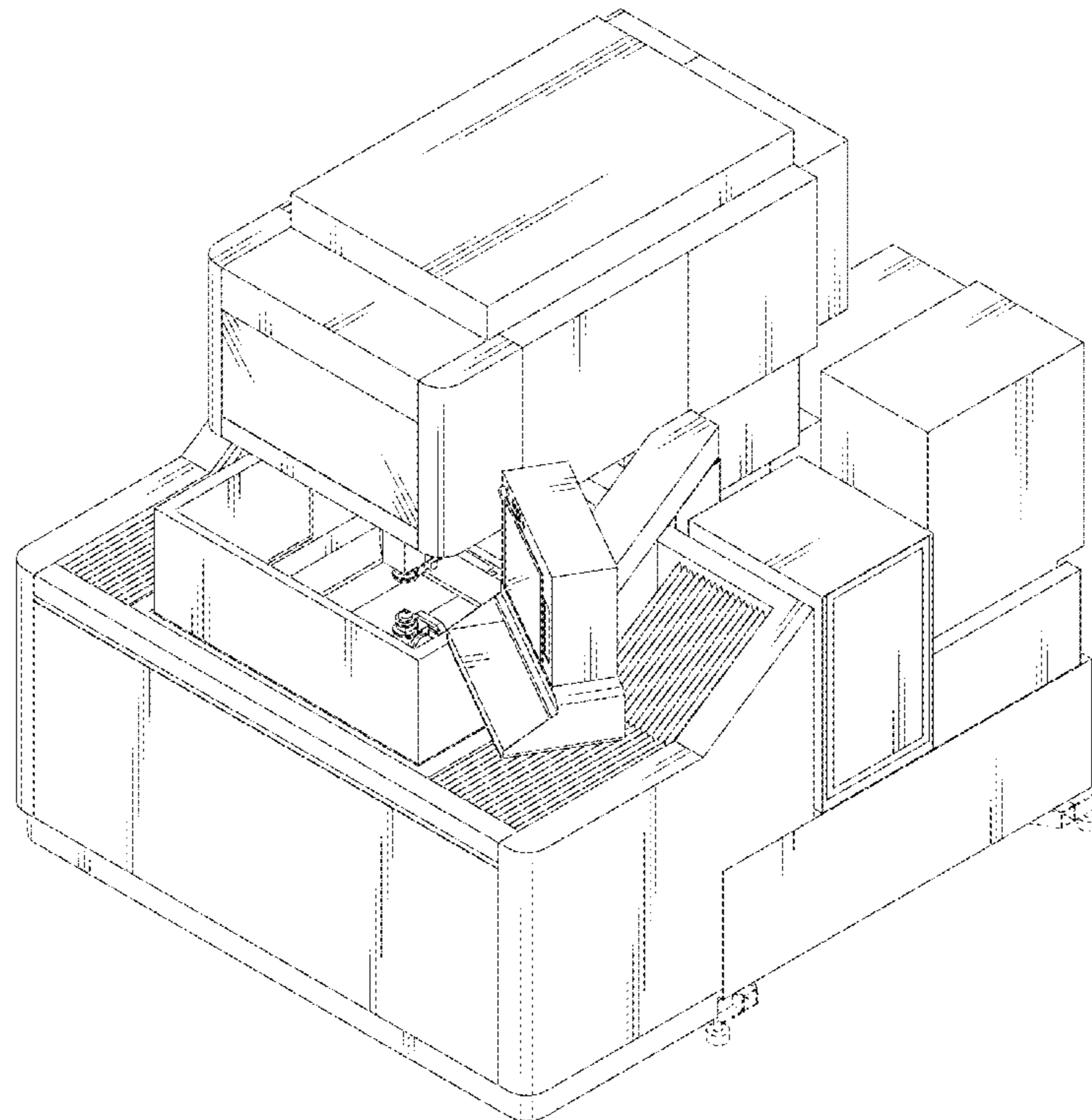


Fig. 1

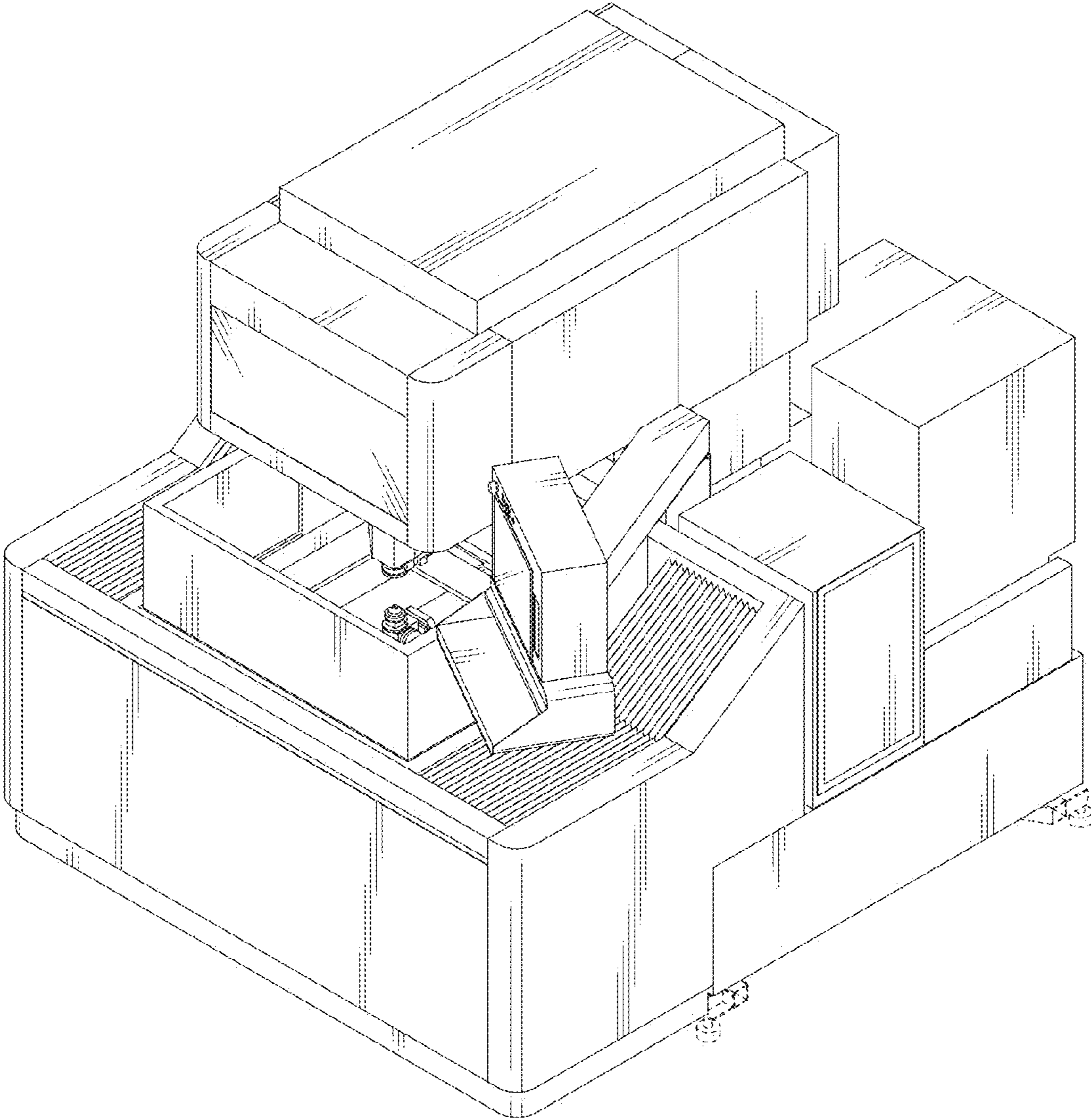


Fig. 2

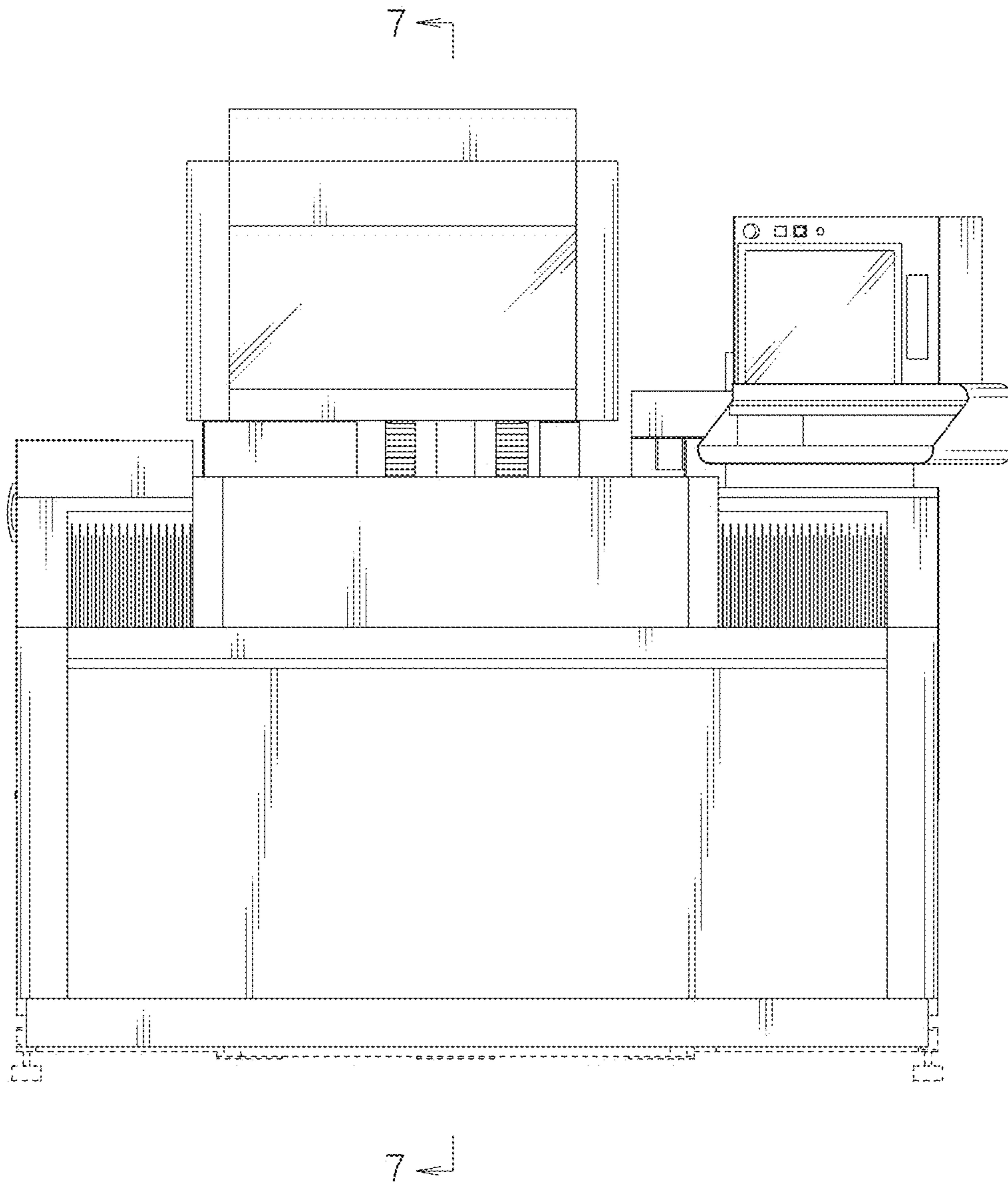


Fig. 3



Fig. 4

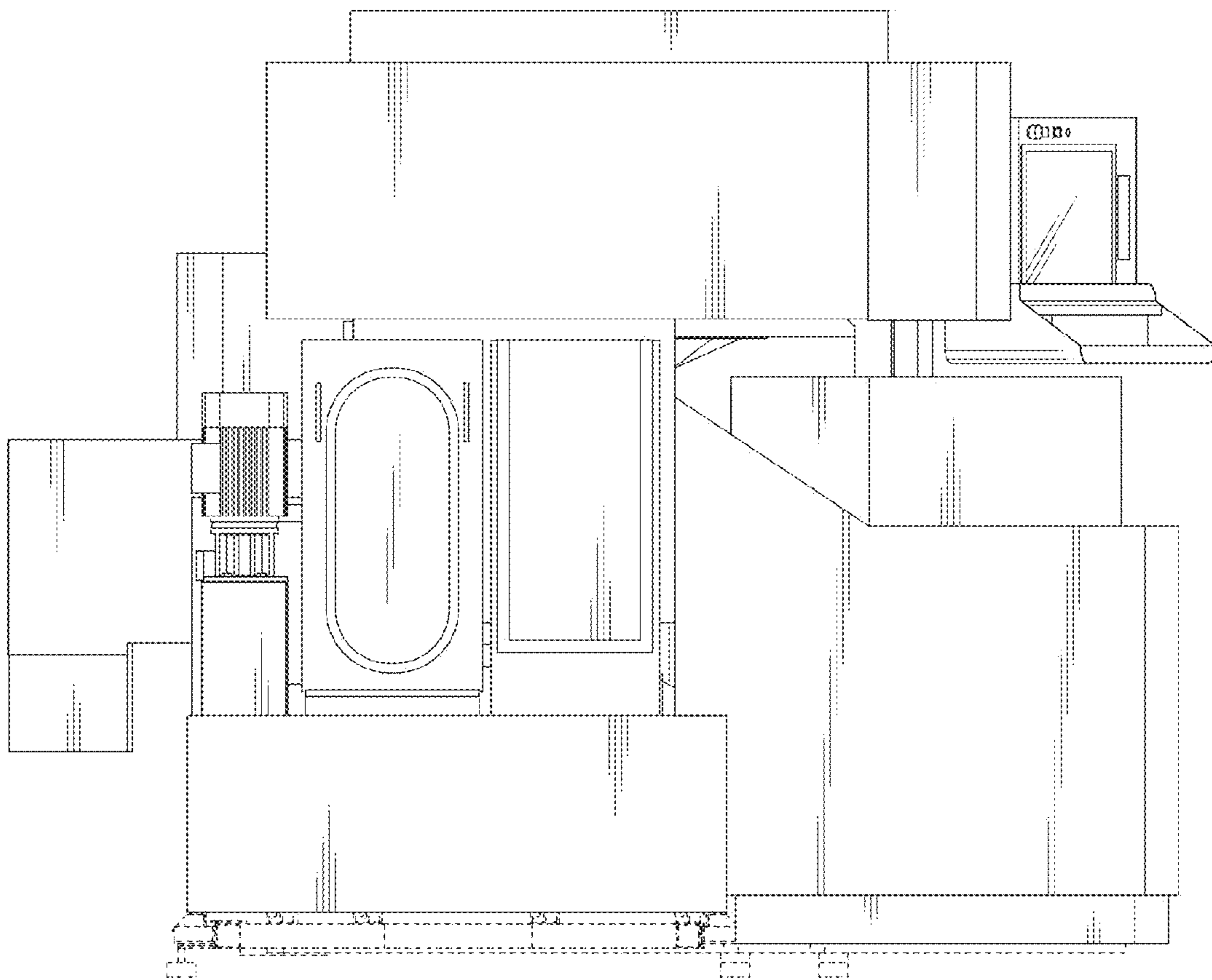


Fig. 5

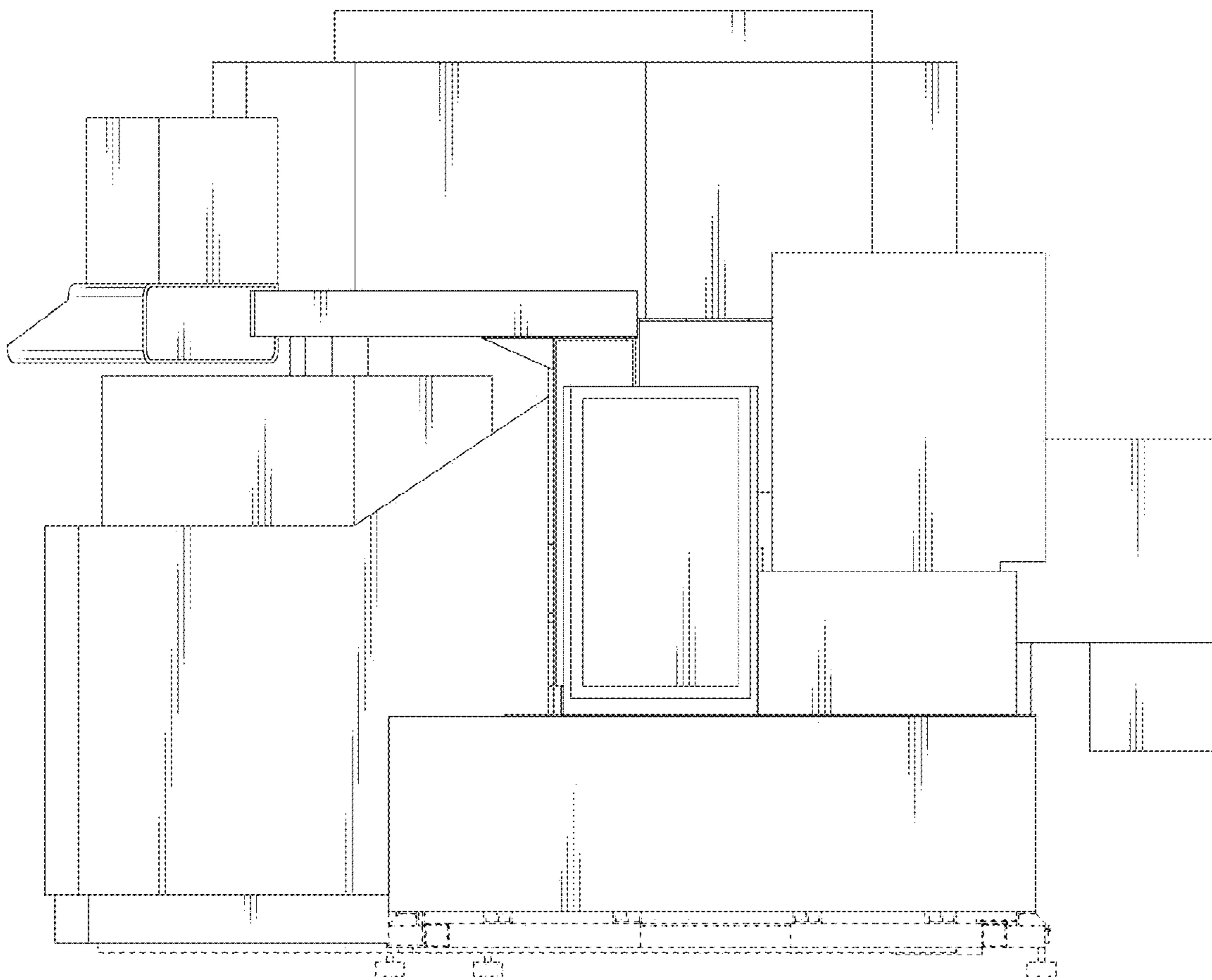


Fig. 6

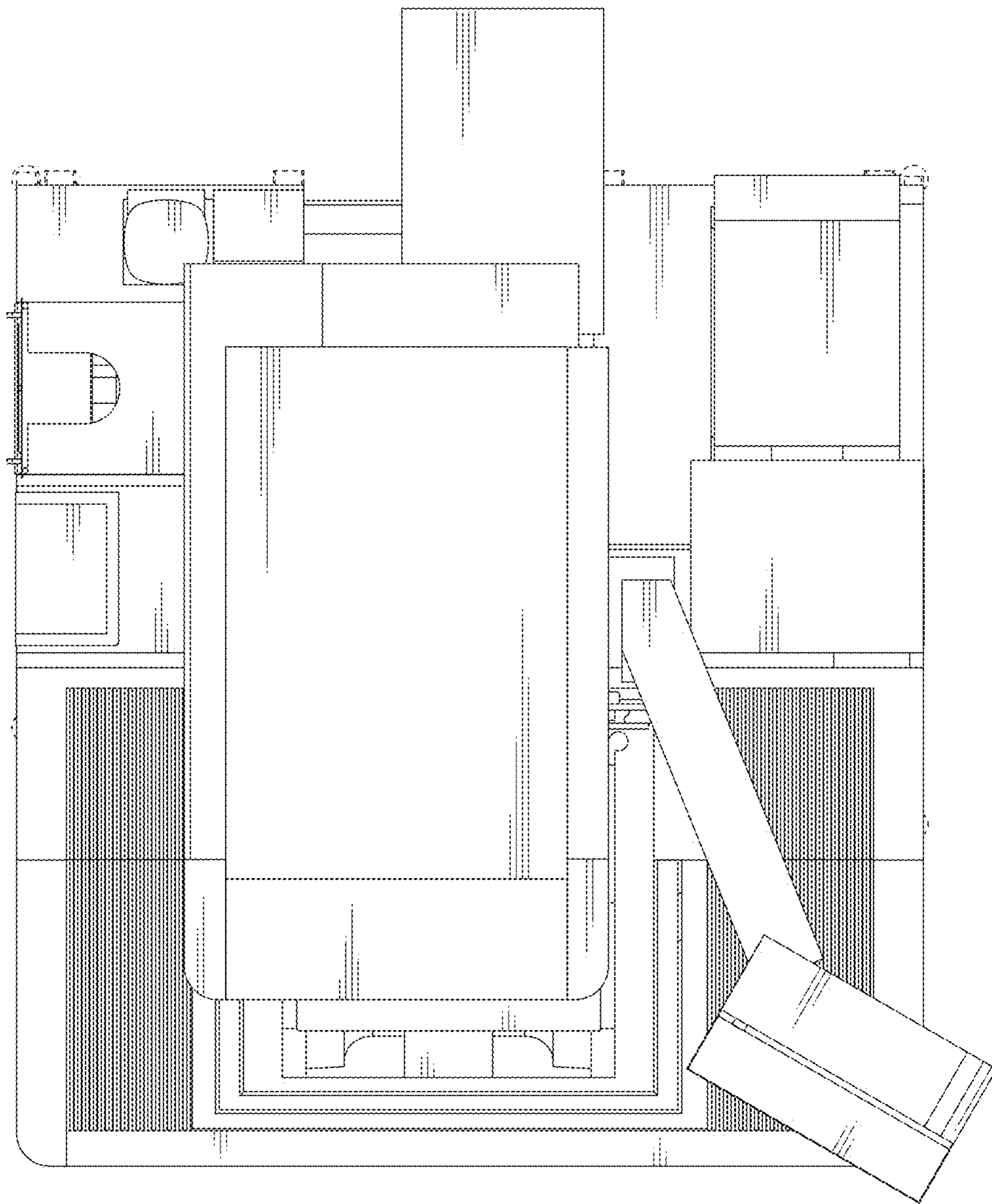


Fig. 7

