

US00D736838S

(12) **United States Design Patent**
Costabeber

(10) **Patent No.:** **US D736,838 S**
(45) **Date of Patent:** **** Aug. 18, 2015**

(54) **STEREOLITHOGRAPHY MACHINE**

(71) Applicant: **Maurizio Ettore Costabeber, Zane' (IT)**

(72) Inventor: **Maurizio Ettore Costabeber, Zane' (IT)**

(**) Term: **14 Years**

(21) Appl. No.: **29/490,194**

(22) Filed: **May 7, 2014**

(30) **Foreign Application Priority Data**

Dec. 20, 2013 (EM) 002374660-0001

(51) **LOC (10) CL.** **15-09**

(52) **U.S. Cl.**
USPC **D15/122**

(58) **Field of Classification Search**
USPC D15/122, 135; D18/14, 19, 36-39, 50,
D18/53, 54, 54.1, 55
See application file for complete search history.

(56) **References Cited**

U.S. PATENT DOCUMENTS

- D207,059 S * 2/1967 Regal D14/469
- D250,019 S 10/1978 Pycha et al.
- D298,943 S 12/1988 Haager et al.
- D308,221 S 5/1990 Kojima
- D325,927 S * 5/1992 Fushiya D18/54
- 5,238,614 A 8/1993 Uchinono et al.
- D341,827 S 11/1993 Lai et al.
- D362,673 S * 9/1995 Yamamoto D18/19
- D363,734 S 10/1995 Bianco et al.
- 5,885,511 A * 3/1999 Heller et al. 264/401
- 5,939,008 A * 8/1999 Comb et al. 264/308
- D420,371 S 2/2000 Strong et al.
- D432,160 S * 10/2000 Kabumoto et al. D18/37
- D450,757 S * 11/2001 Okamura D18/55
- 6,764,636 B1 7/2004 Allanic et al.
- 6,792,398 B1 * 9/2004 Handley et al. 703/2
- 6,799,959 B1 10/2004 Tochimoto et al.
- D501,502 S * 2/2005 Scully et al. D18/50
- D506,465 S * 6/2005 Geeng D14/308

- 7,027,887 B2 * 4/2006 Gaylo et al. 700/117
- 7,168,935 B1 * 1/2007 Taminger et al. 425/174.4
- D565,648 S * 4/2008 Egami D18/50
- D598,906 S 8/2009 Chiba et al.
- D602,019 S 10/2009 Wang et al.
- 7,686,995 B2 * 3/2010 Davidson et al. 264/113
- 7,713,048 B2 5/2010 Perret et al.
- 7,819,055 B2 * 10/2010 Tezuka et al. 101/38.1
- 7,850,885 B2 12/2010 Philippi et al.
- 7,879,393 B2 2/2011 Ederer et al.
- 7,931,462 B2 4/2011 Mattes
- 8,070,474 B2 12/2011 Abe et al.
- 8,083,513 B2 12/2011 Montero-Escuder et al.
- 8,252,223 B2 * 8/2012 Medina et al. 264/401
- D677,723 S 3/2013 Buel et al.
- 8,469,692 B2 6/2013 Kritchman et al.
- D688,741 S 8/2013 Joyce
- 8,568,649 B1 * 10/2013 Balistreri et al. 264/642
- D711,463 S * 8/2014 Costabeber D18/50
- 8,894,400 B2 * 11/2014 Costabeber 425/174.4

(Continued)

FOREIGN PATENT DOCUMENTS

WO 2010/045950 A1 4/2010

Primary Examiner — Patricia Palasik

(74) *Attorney, Agent, or Firm* — Workman Nydegger

(57) **CLAIM**

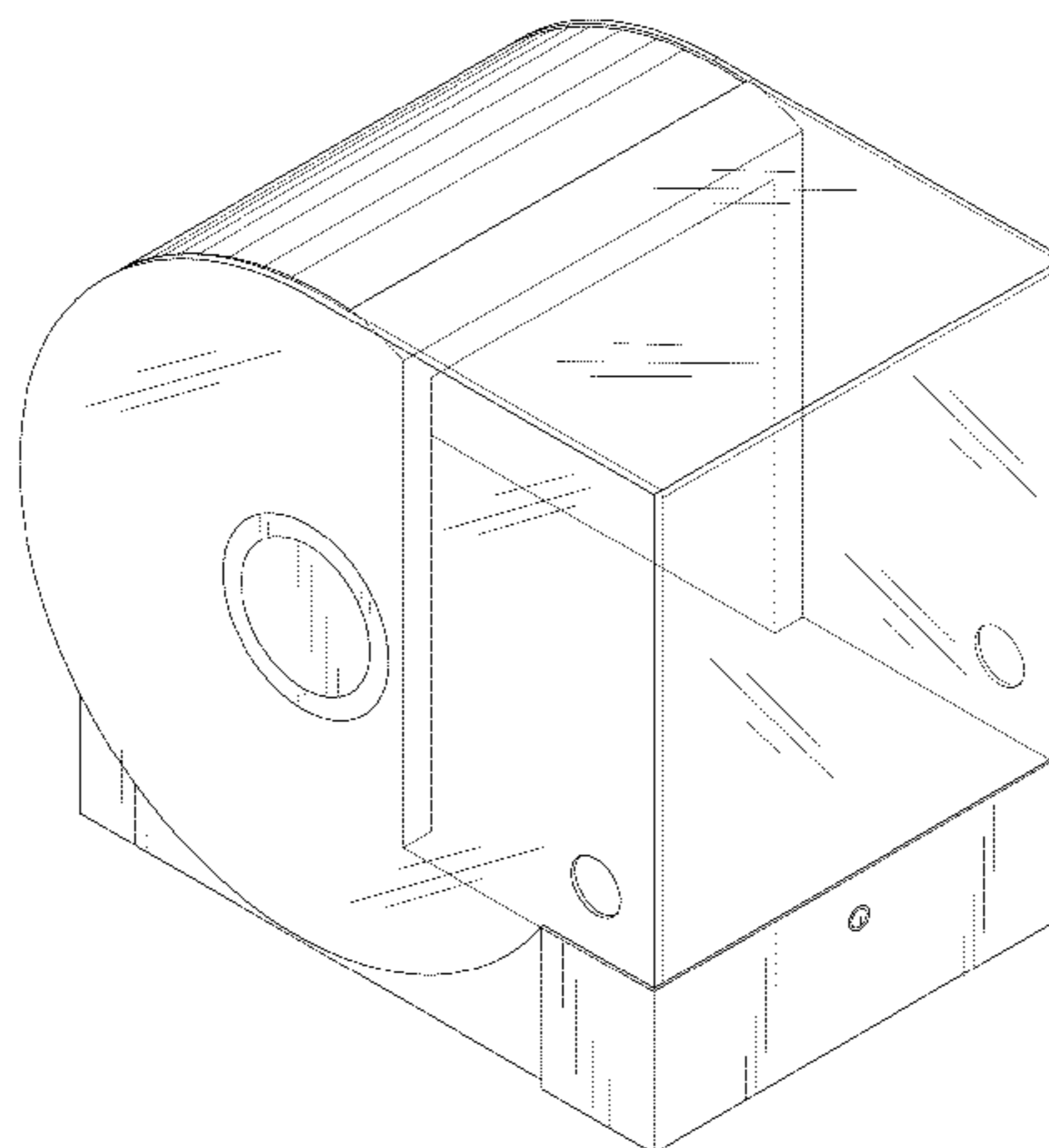
The ornamental design for a stereolithography machine, as shown and described.

DESCRIPTION

FIG. 1 is a perspective view of a stereolithography machine showing my new design;
 FIG. 2 is a front elevational view thereof;
 FIG. 3 is a rear elevational view thereof;
 FIG. 4 is a right side elevational view thereof;
 FIG. 5 is a left side elevational view thereof; and,
 FIG. 6 is a top plan view thereof.

The broken lines shown represent unclaimed environmental subject matter and form no part of the claimed design.

1 Claim, 4 Drawing Sheets



(56)

References Cited

U.S. PATENT DOCUMENTS

			2004/0262803	A1*	12/2004	Neilsen et al.	264/113
			2011/0310370	A1	12/2011	Rohner et al.		
			2013/0337100	A1	12/2013	Costabeber		
8,945,456	B2*	2/2015	Zenere				264/401
8,960,873	B2*	2/2015	Hara				347/86

* cited by examiner

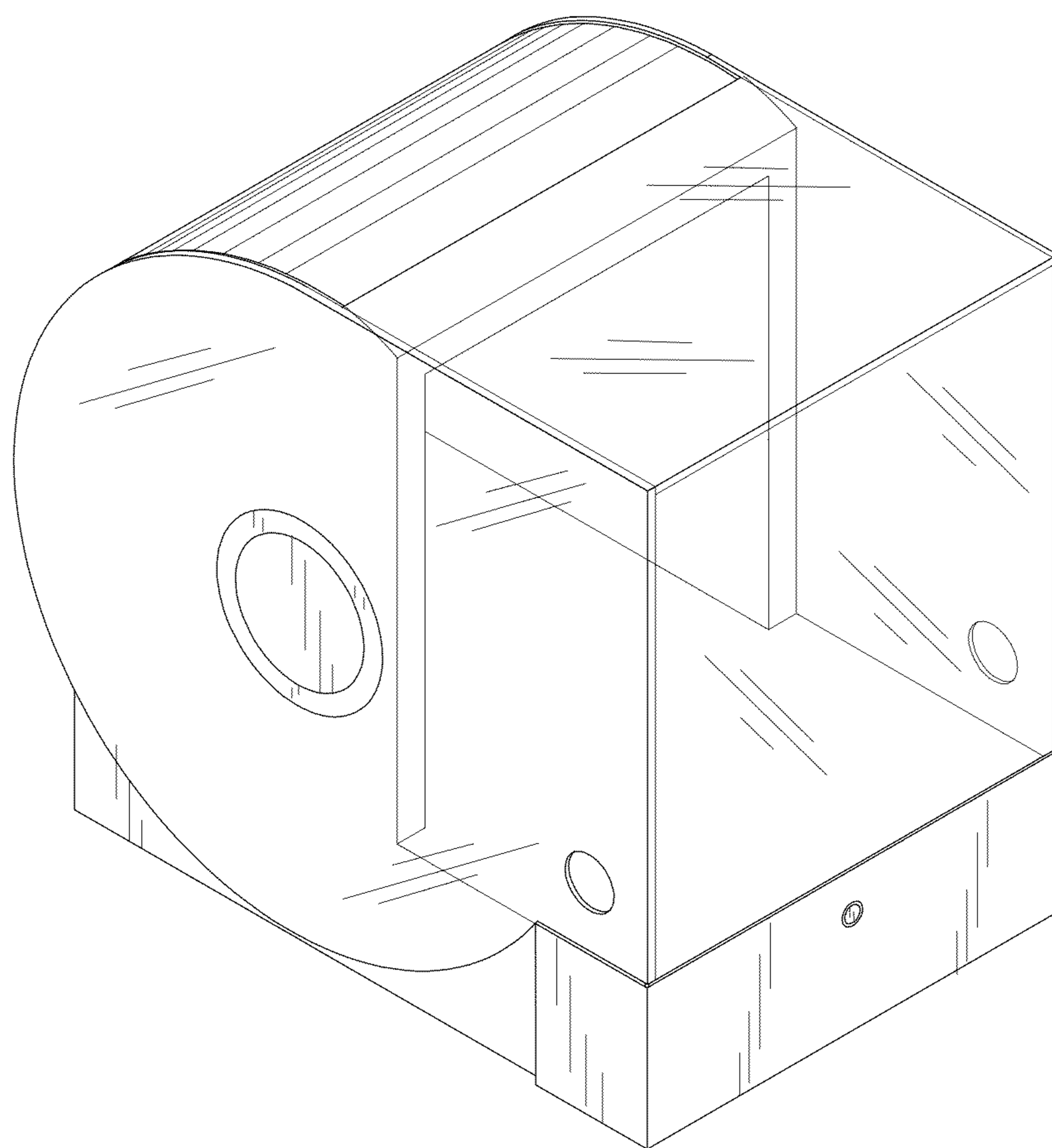


FIG. 1

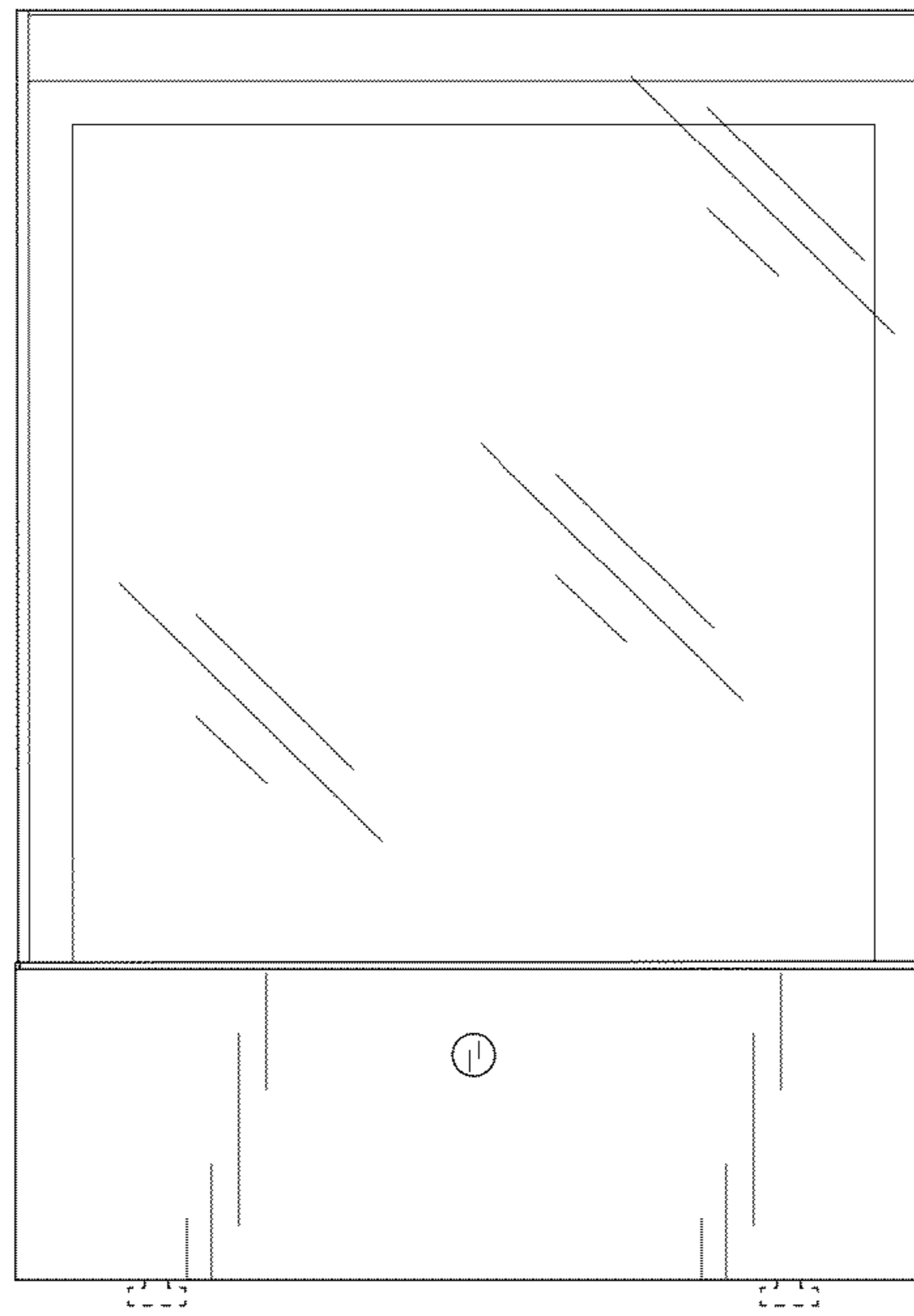


FIG. 2

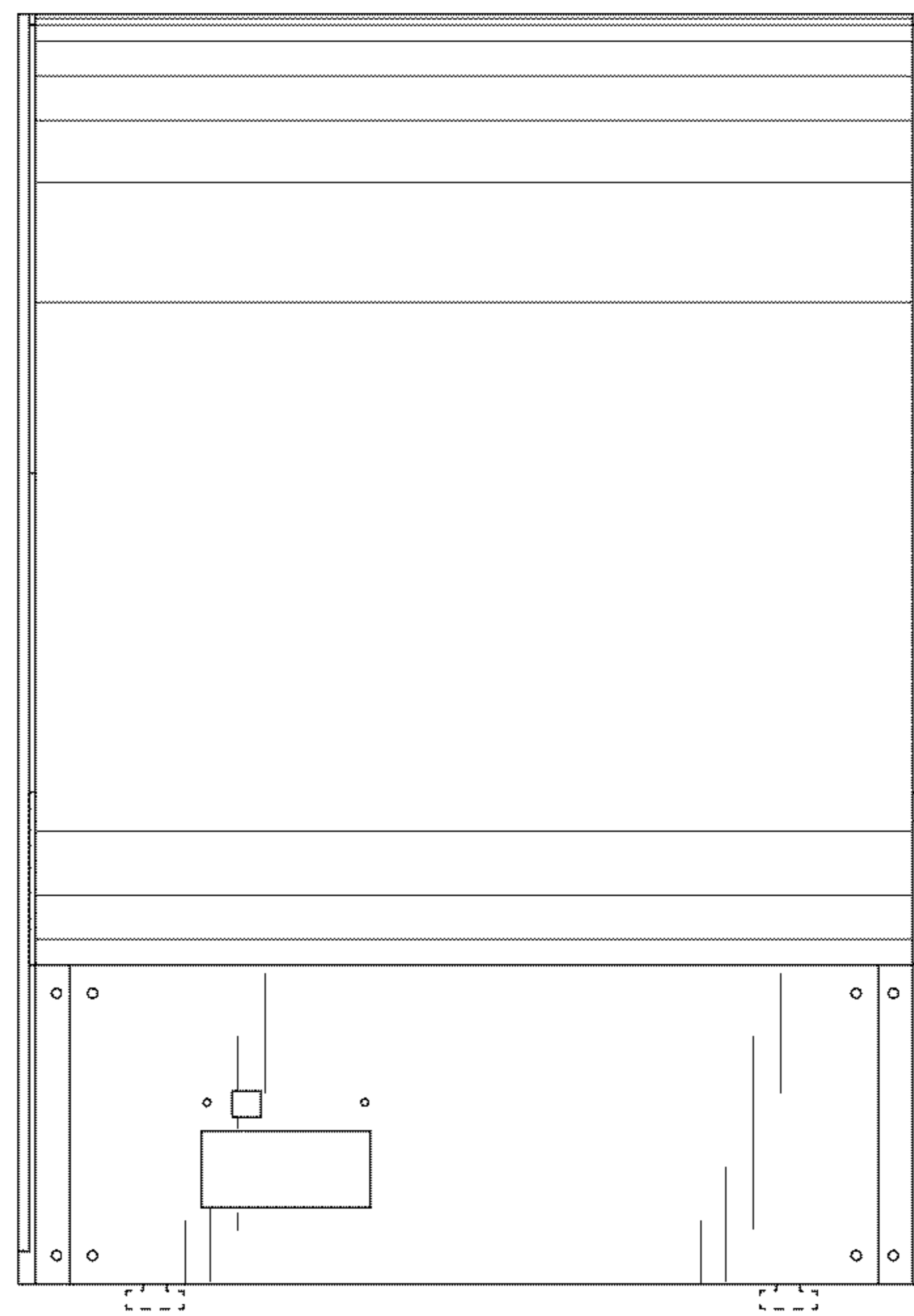


FIG. 3

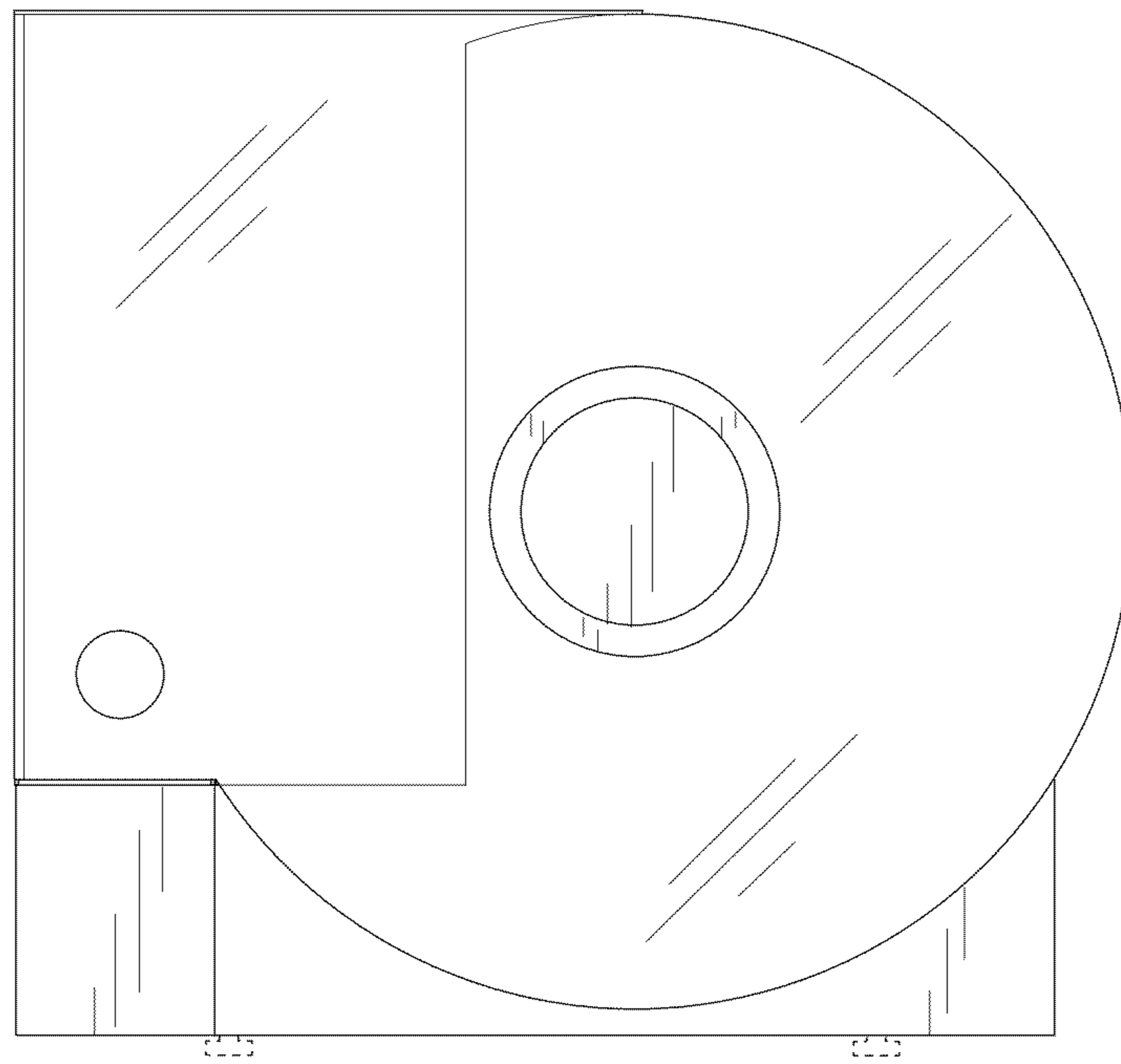


FIG. 4

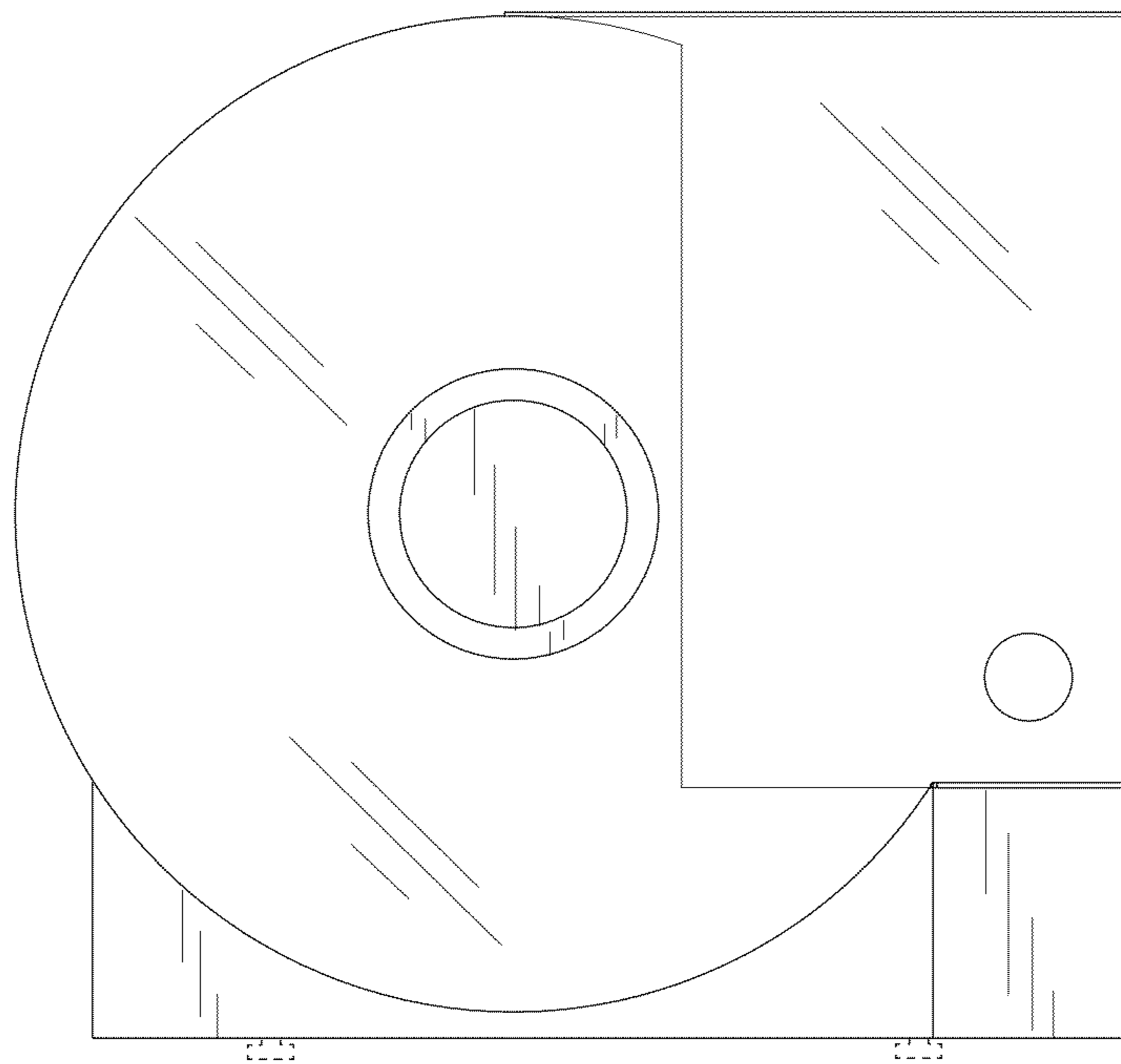


FIG. 5

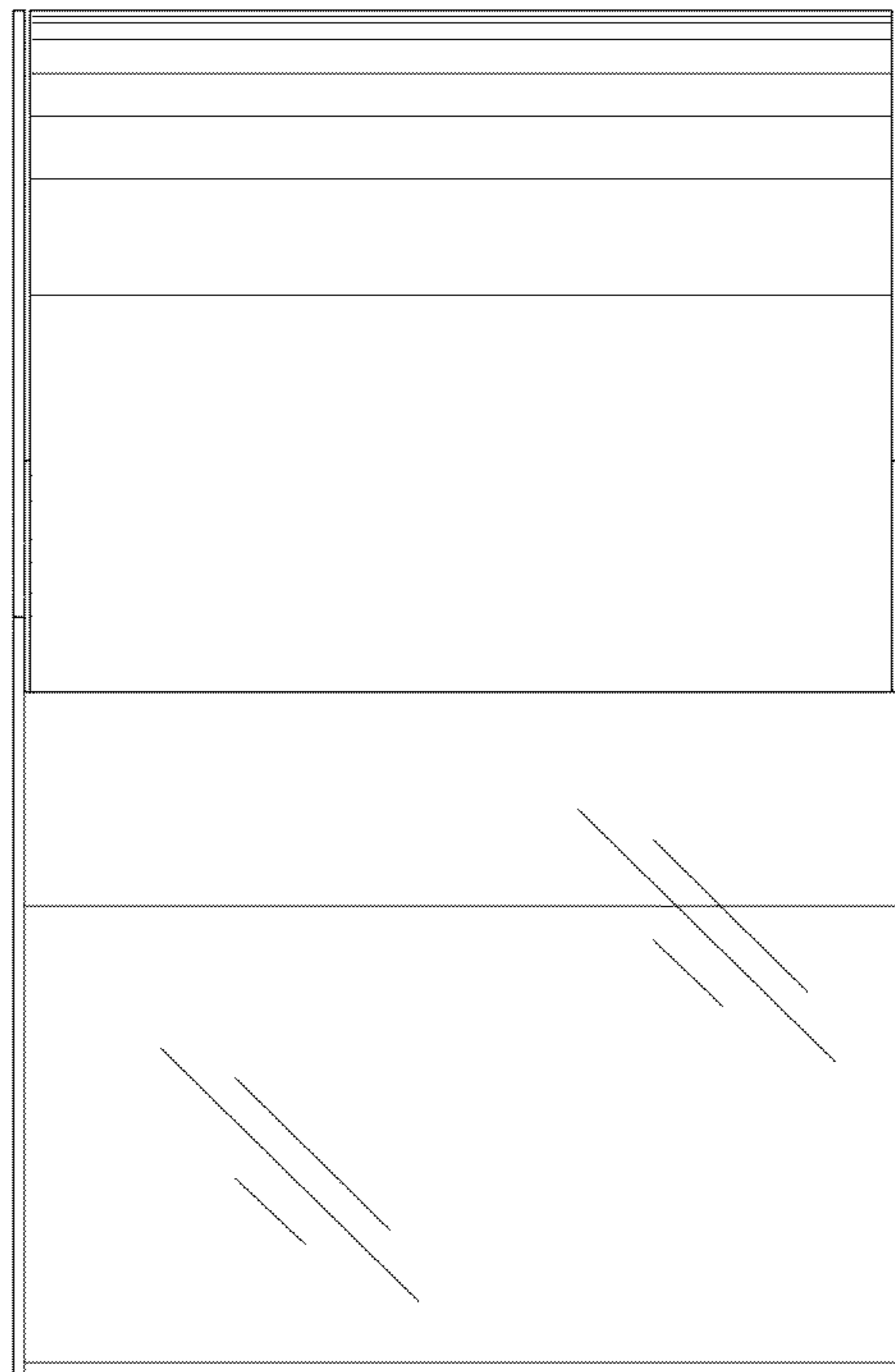


FIG. 6