



US00D736837S

(12) **United States Design Patent**
Balducki

(10) **Patent No.:** **US D736,837 S**

(45) **Date of Patent:** **** Aug. 18, 2015**

(54) **ROUND BALE MOVER AND FEEDER**

(74) *Attorney, Agent, or Firm* — Richard L. Miller

(71) Applicant: **John R. Balducki**, Oskaloosa, IA (US)

(57) **CLAIM**

The ornamental design for a round bale mover and feeder, as shown and described.

(72) Inventor: **John R. Balducki**, Oskaloosa, IA (US)

(**) Term: **14 Years**

DESCRIPTION

(21) Appl. No.: **29/450,554**

(22) Filed: **Mar. 19, 2013**

(51) **LOC (10) Cl.** **15-03**

(52) **U.S. Cl.**
USPC **D15/27**

(58) **Field of Classification Search**
USPC D15/10, 27; 414/24.5, 24.6, 111, 460
See application file for complete search history.

(56) **References Cited**

U.S. PATENT DOCUMENTS

4,253,786	A *	3/1981	Harkness	414/24.5
4,261,676	A *	4/1981	Balling, Sr.	414/24.5
4,341,411	A	7/1982	Edwards	
4,348,143	A	9/1982	Hedgespeth	
4,478,547	A	10/1984	Den Boer	
5,165,836	A *	11/1992	Shonka	414/111
5,253,970	A *	10/1993	Bashaw, III	414/24.6
5,333,981	A	8/1994	Pronovost et al.	
5,405,229	A	4/1995	Tilley et al.	
5,496,144	A	3/1996	Wetz	
5,511,921	A *	4/1996	Meijer	414/24.5
5,577,562	A *	11/1996	Gresham	171/27
5,813,814	A	9/1998	Smart	
6,000,899	A *	12/1999	Lowe	414/111
6,840,729	B2 *	1/2005	Haukaas	414/24.5
6,935,827	B2 *	8/2005	Delaurier	414/24.5
7,241,098	B1	7/2007	Wilson	
8,967,934	B1 *	3/2015	Palmlund et al.	414/111
2008/0115731	A1	5/2008	Walker	
2011/0002757	A1	1/2011	Taylor	

* cited by examiner

Primary Examiner — Robin V Webster

FIG. 1 is a three quarter front top left side perspective view of a round bale mover and feeder showing an embodiment of my new design having six bale lifting components;

FIG. 2 is a left side elevational view thereof taken in the direction of arrow 2 in FIG. 8, the right side elevational view being a mirror image thereof;

FIG. 3 is a left side elevational view of another embodiment, taken in the direction of arrow 3 in FIG. 8, with the brackets to illustrate that the precise length and the exact number of bale lifting components are non-specified;

FIG. 4 is a top plan of FIG. 1 taken in the direction of arrow 4 in FIG. 8;

FIG. 5 is a bottom plan view thereof, taken in the direction of arrow 5 in FIG. 8;

FIG. 6 is a front elevational view thereof, taken in the direction of arrow 6 in FIG. 8;

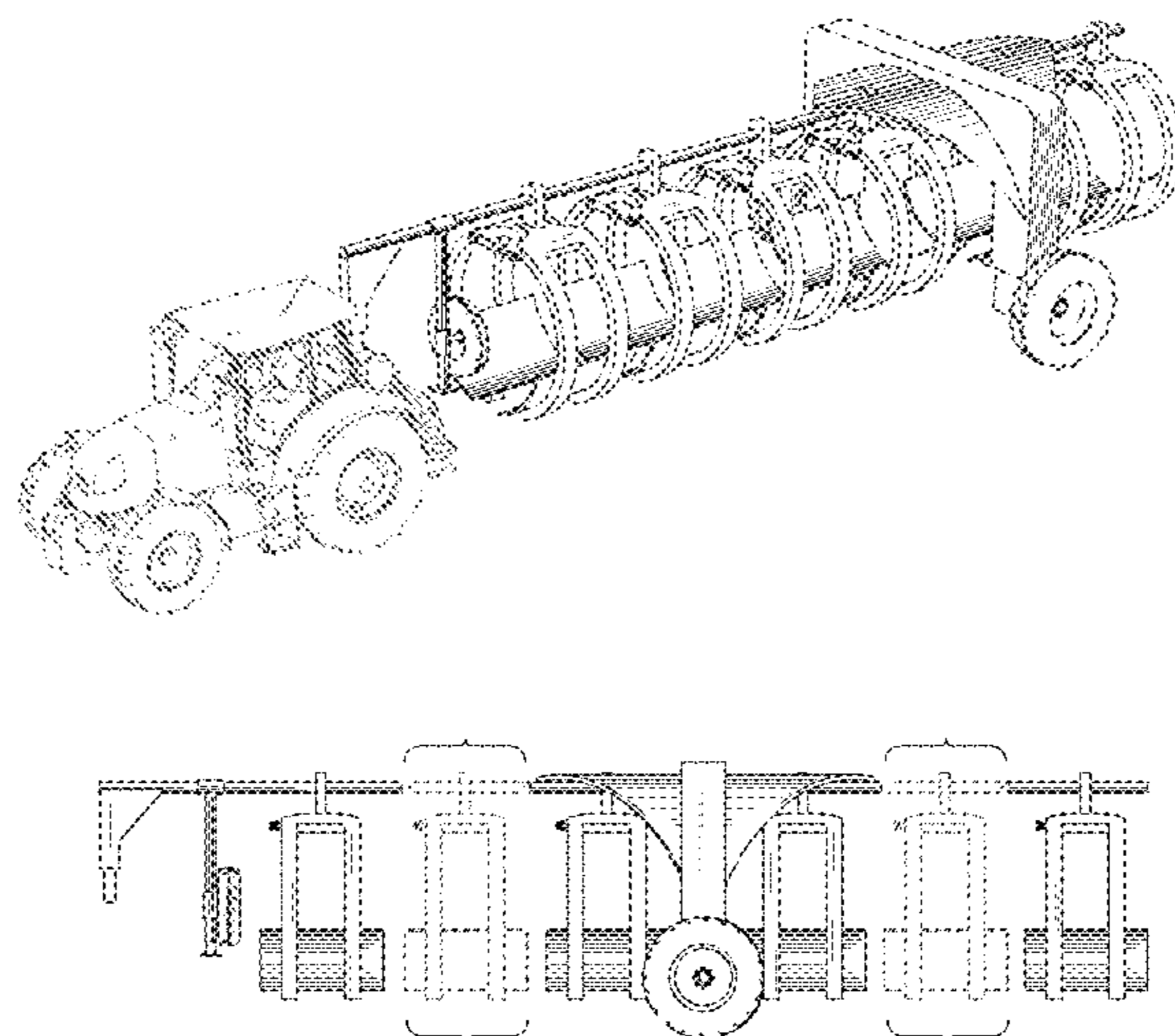
FIG. 7 is a rear elevational view thereof, taken in the direction of arrow 7 in FIG. 8; and,

FIG. 8 is a view identical to FIG. 1 with descriptive legend directional arrows included which are necessary for better understanding of the drawing in accordance with 37 CRF 1884(o) and appropriate with good engineering practices, so as to best indicate in what directions previous views are taken so that nothing regarding the design sought to be patented is ambiguous or left to conjecture.

1.) The tractors shown in FIGS. 1 and 8 in broken lines are for environmental purposes only and form no part of the claimed design; and

2.) Any portion of any figure shown in broken lines accompanied by a bracket indicates a part of indeterminate length and non precise number of bale lifting components.

1 Claim, 7 Drawing Sheets



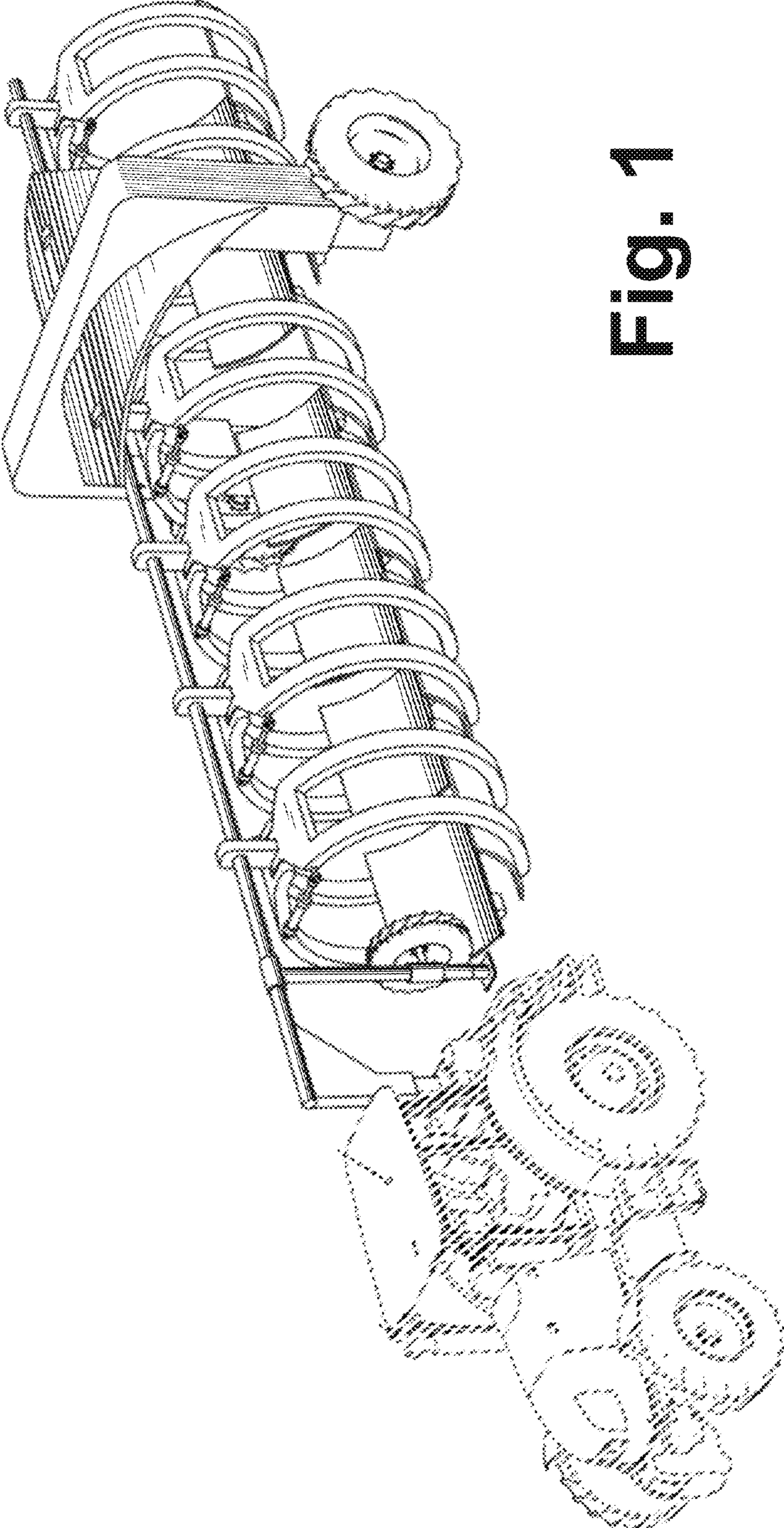


Fig. 1

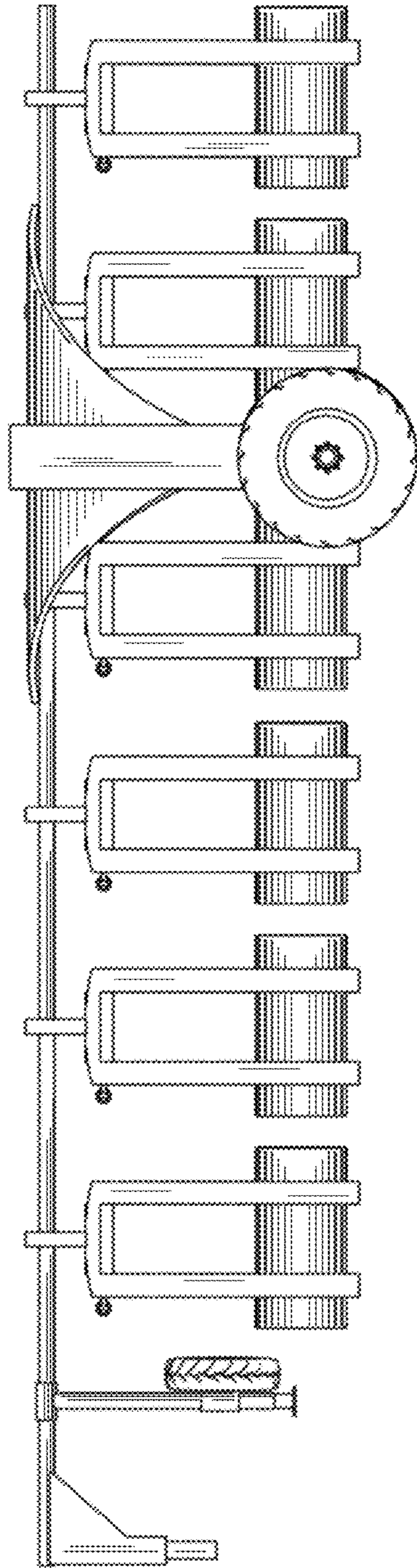


Fig. 2

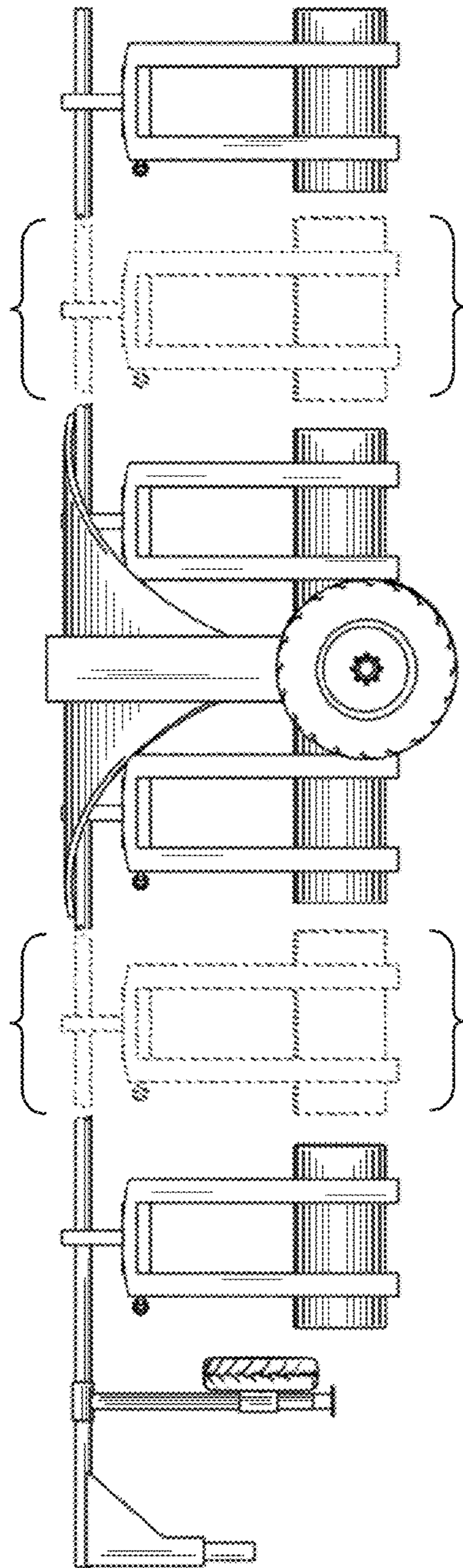


Fig. 3

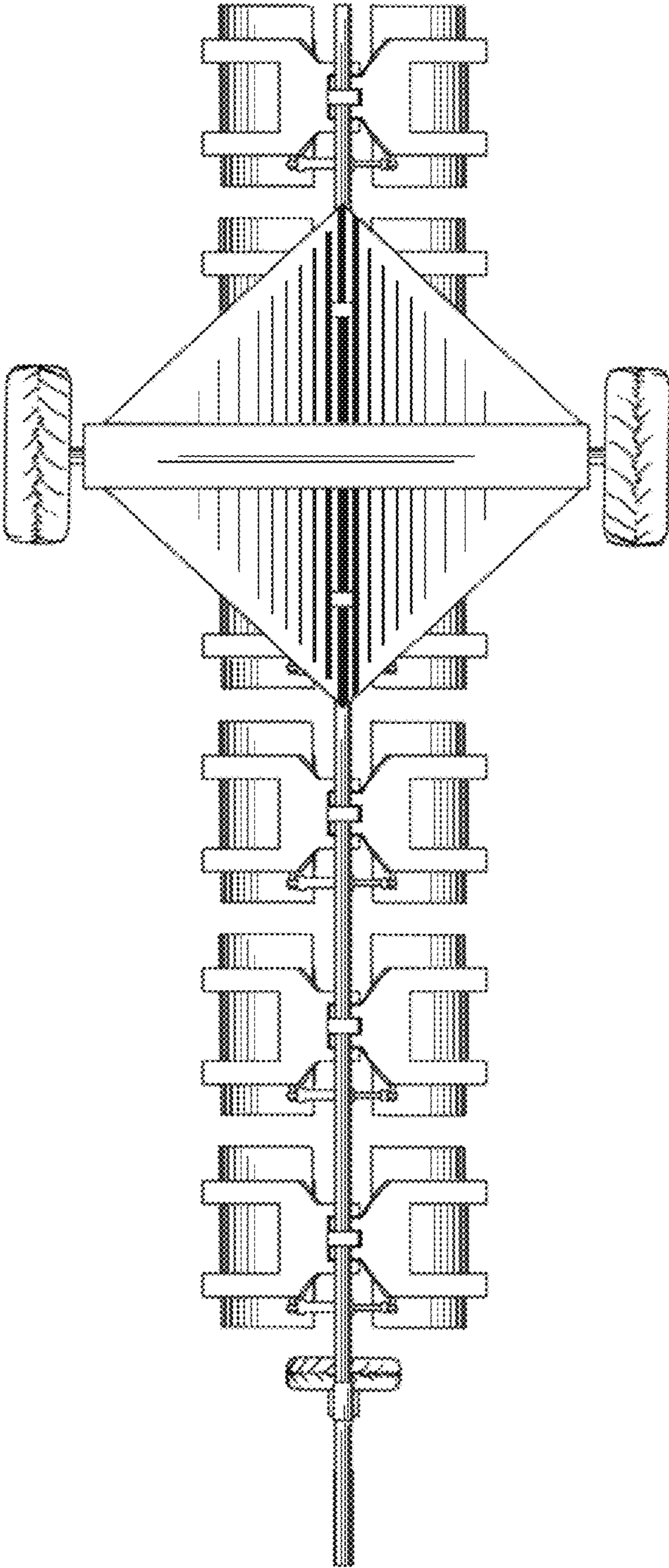


Fig. 4

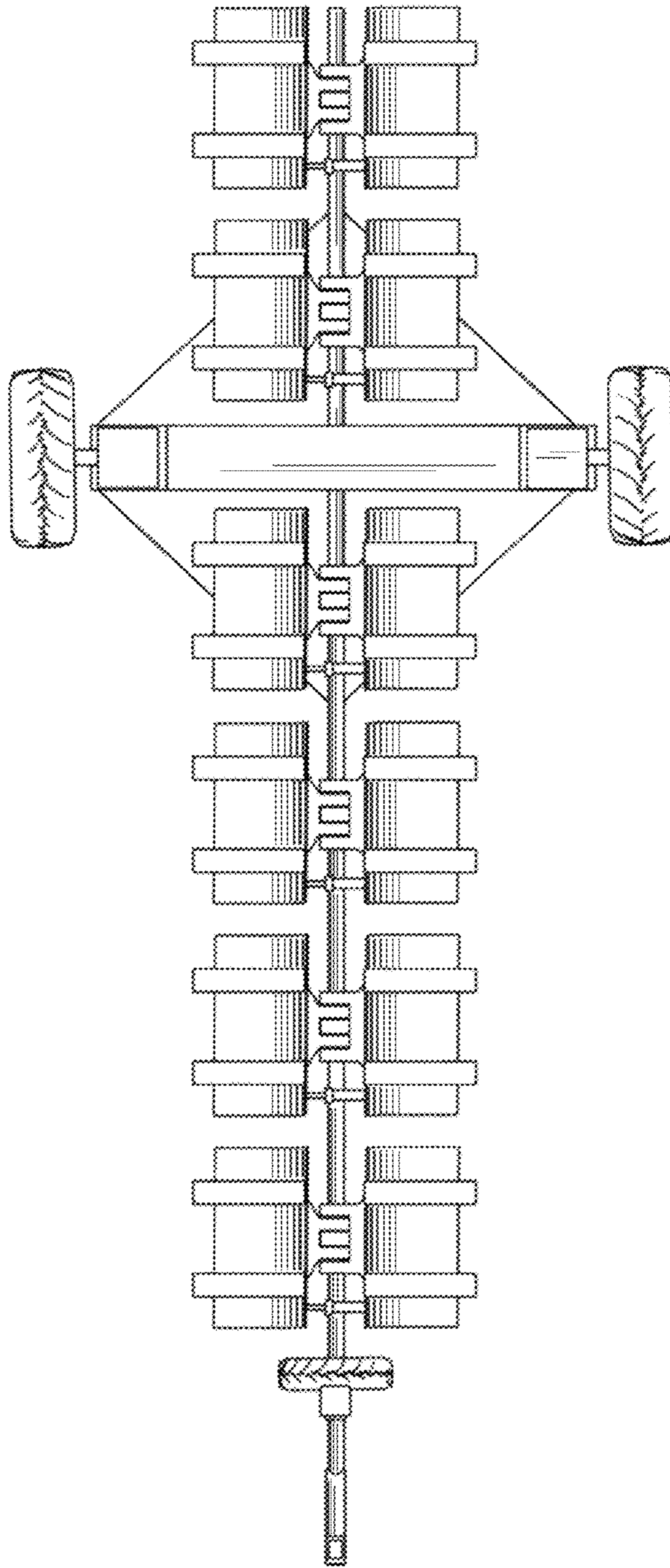


Fig. 5

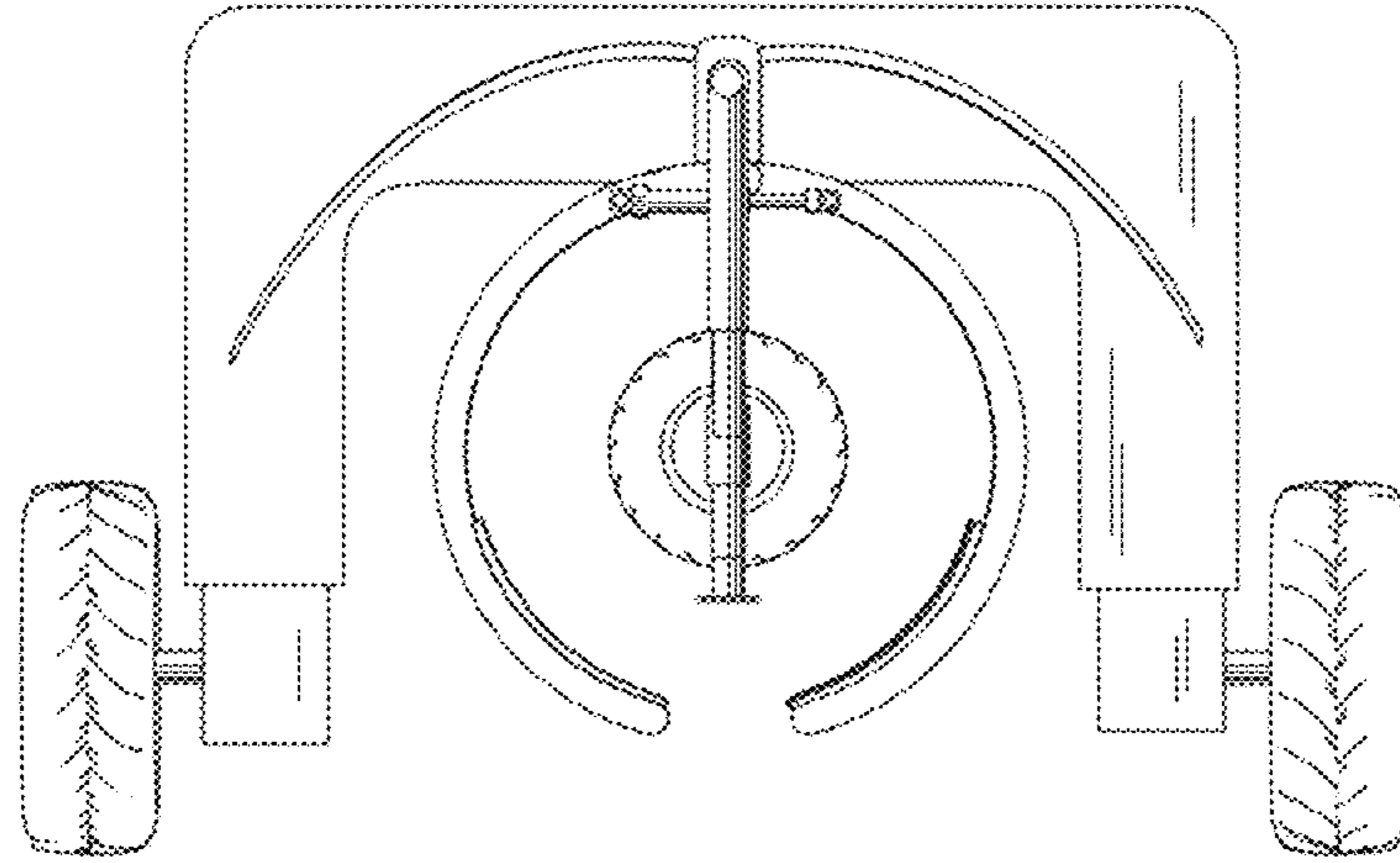


Fig. 6

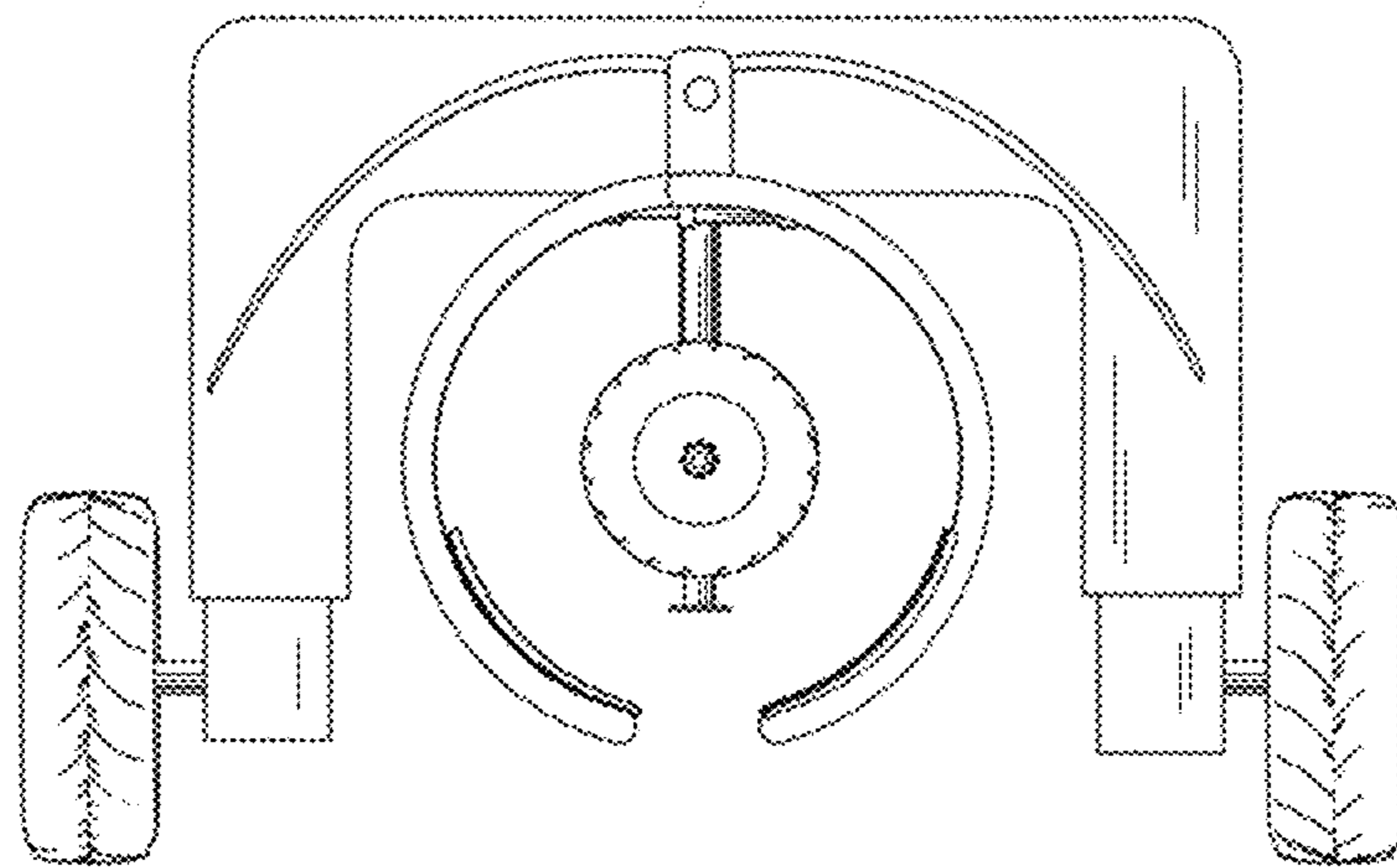


Fig. 7

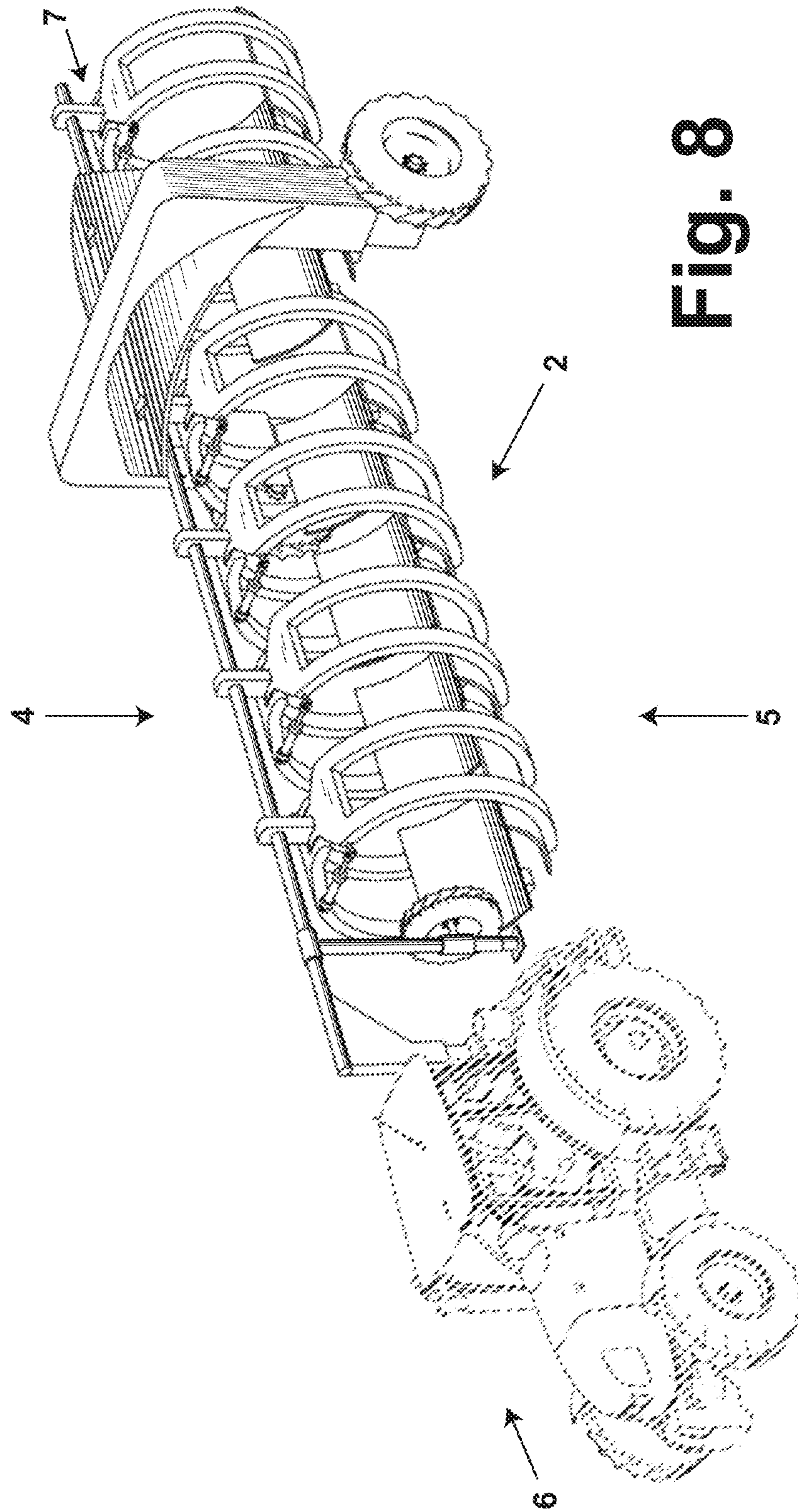


Fig. 8