



US00D736835S

(12) **United States Design Patent**
Pasco

(10) **Patent No.:** **US D736,835 S**

(45) **Date of Patent:** **** Aug. 18, 2015**

(54) **PUMP STATION BASE**

(71) Applicant: **Oldcastle Precast, Inc.**, Auburn, WA
(US)

(72) Inventor: **Ken Pasco**, Burlington, CT (US)

(73) Assignee: **Oldcastle Precast, Inc.**, Auburn, WA
(US)

(**) Term: **14 Years**

(21) Appl. No.: **29/479,360**

(22) Filed: **Jan. 15, 2014**

(51) **LOC (10) Cl.** **15-02**

(52) **U.S. Cl.**
USPC **D15/7**

(58) **Field of Classification Search**

USPC D15/7-9; D23/231, 232, 225; 417/60,
417/235, 265, 321, 355, 358, 363, 359,
417/410.1, 415-416, 405, 900; 60/408,
60/412; 184/26-37; 415/140-147;
123/495, 509; 137/565.34

CPC F02M 37/04; F02M 37/14
See application file for complete search history.

(56) **References Cited**

U.S. PATENT DOCUMENTS

3,112,760	A *	12/1963	Budd	137/363
3,150,792	A *	9/1964	Bright	220/62.19
3,672,103	A *	6/1972	Kost	52/20
D235,168	S *	5/1975	Boyer et al.	D15/7
3,938,545	A *	2/1976	Nagy et al.	137/363
3,974,599	A *	8/1976	Grosh	52/20
4,178,139	A *	12/1979	Seppanen et al.	417/360
4,655,361	A *	4/1987	Clover et al.	137/363
4,679,991	A *	7/1987	Harbison et al.	417/360
5,334,000	A *	8/1994	Nordlin	417/360

5,358,385	A *	10/1994	Wang	417/44.8
5,772,361	A *	6/1998	Gavin	405/36
6,854,479	B2 *	2/2005	Harwood	137/362
7,144,189	B1 *	12/2006	Bongiovanni et al.	404/25
7,150,290	B1	12/2006	Smith	

(Continued)

OTHER PUBLICATIONS

U.S. Appl. No. 29/479,357, filed Jan. 15, 2014, Pasco.

(Continued)

Primary Examiner — Ralf Seifert

(74) *Attorney, Agent, or Firm* — Sheridan Ross P.C.

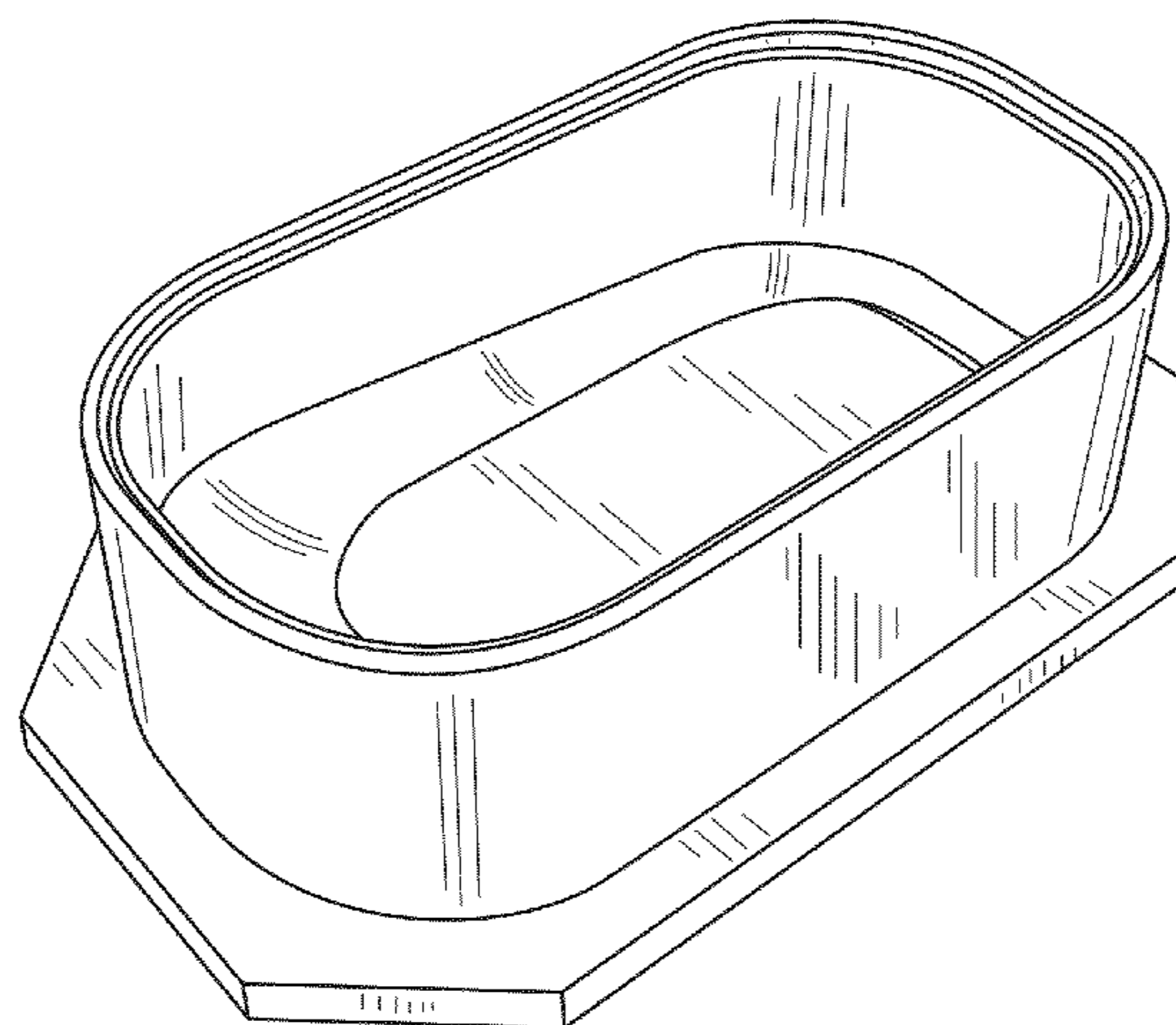
(57) **CLAIM**

The ornamental design for a pump station base, as shown and described.

DESCRIPTION

FIG. 1 is a perspective view of the pump station base; FIG. 2 is a front elevation view thereof; FIG. 3 is a rear elevation view thereof; FIG. 4 is a left elevation view thereof; FIG. 5 is a right elevation view thereof; FIG. 6 is a top plan view thereof; FIG. 7 is a bottom plan view thereof; FIG. 8 is a perspective view of the pump station base showing the second embodiment of my new design; FIG. 9 is a front elevation view of the embodiment of FIG. 8; FIG. 10 is a rear elevation view of the embodiment of FIG. 8; FIG. 11 is a left elevation view of the embodiment of FIG. 8; FIG. 12 is a right elevation view of the embodiment of FIG. 8; FIG. 13 is a top plan view of the embodiment of FIG. 8; and, FIG. 14 is a bottom plan view of the embodiment of FIG. 8. The broken lines showing a pump station base form environment structure or boundaries that form no part of the claimed design.

1 Claim, 8 Drawing Sheets



(56)

References Cited

OTHER PUBLICATIONS

U.S. PATENT DOCUMENTS

D693,849 S * 11/2013 Sofussen et al. D15/7
D699,264 S * 2/2014 Sofussen et al. D15/7
8,835,757 B2 * 9/2014 Freeman 174/37
8,955,539 B2 * 2/2015 Early et al. 137/363

U.S. Appl. No. 29/479,359, filed Jan. 15, 2014, Pasco.

* cited by examiner

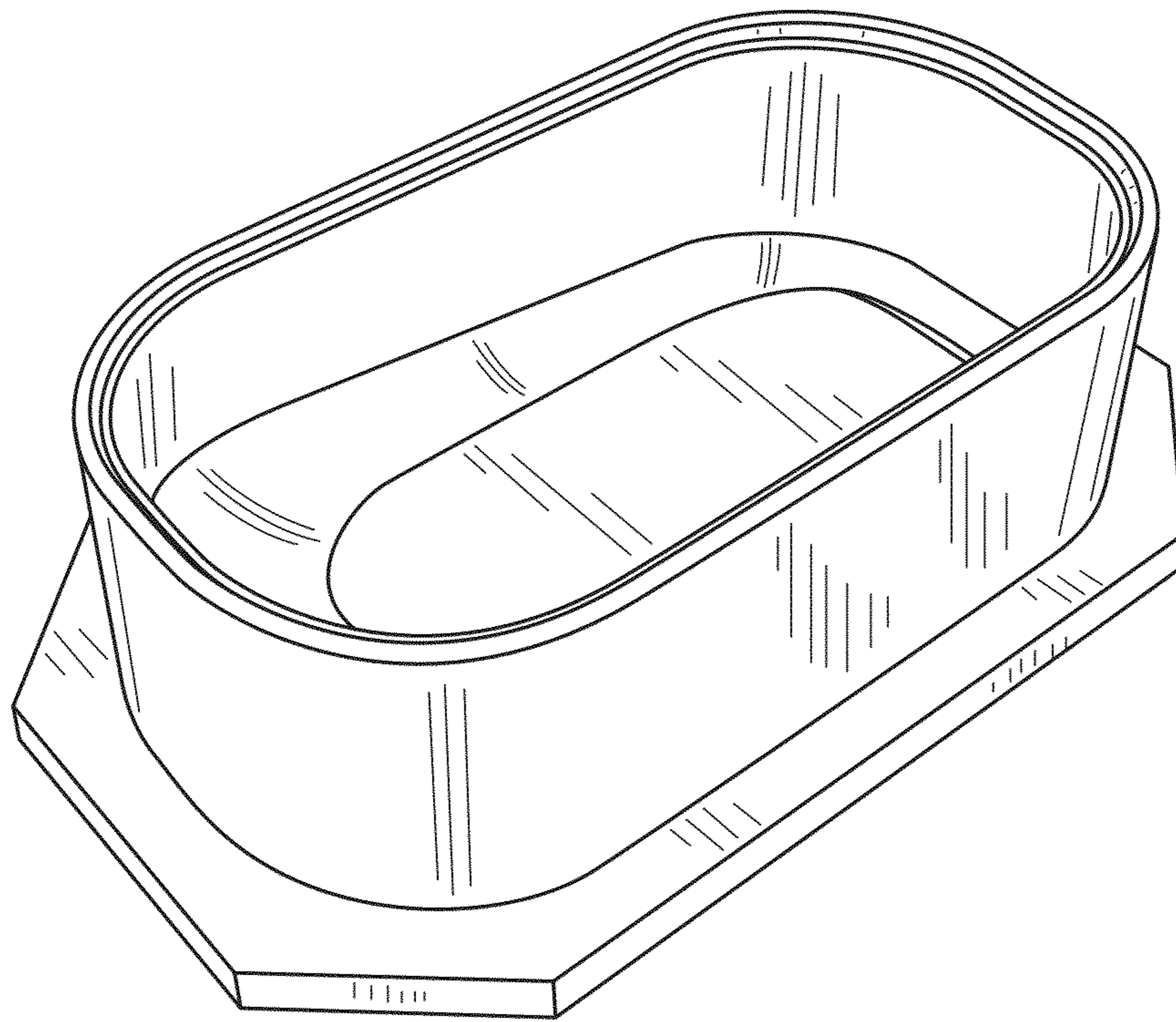


FIG.1

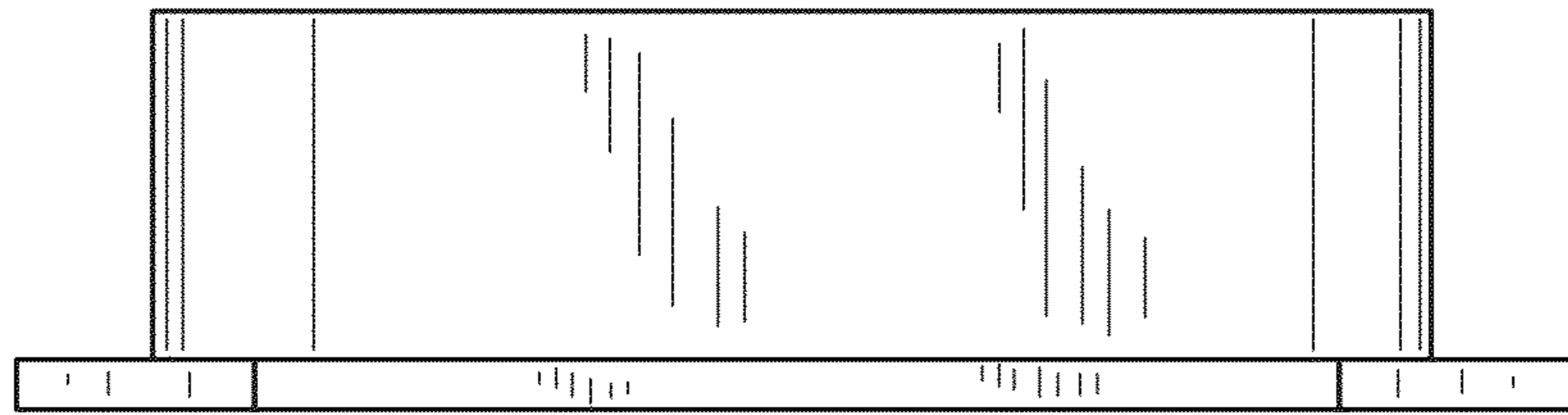


FIG. 2

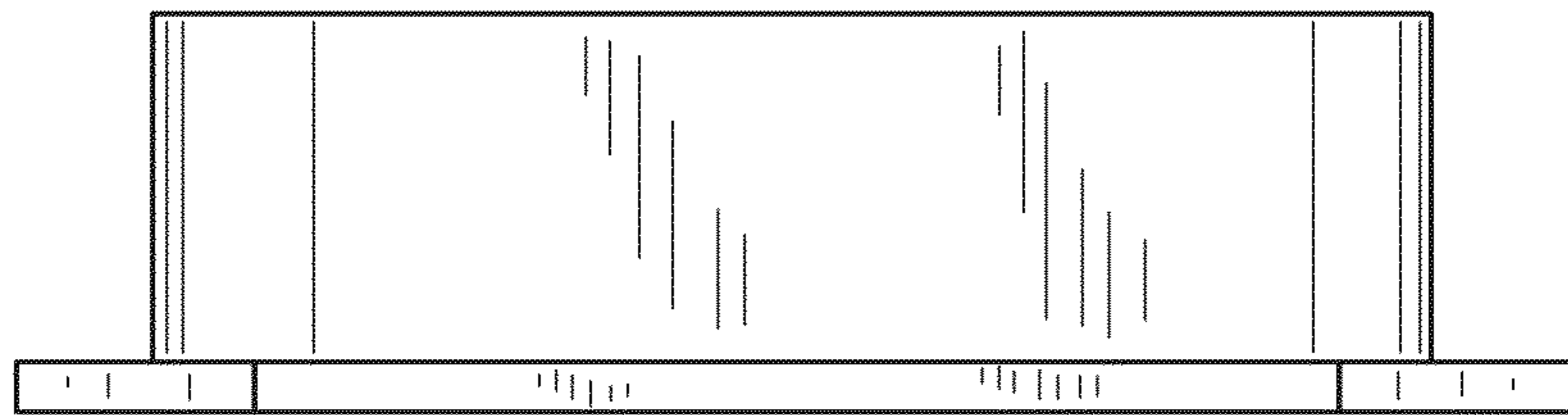


FIG. 3

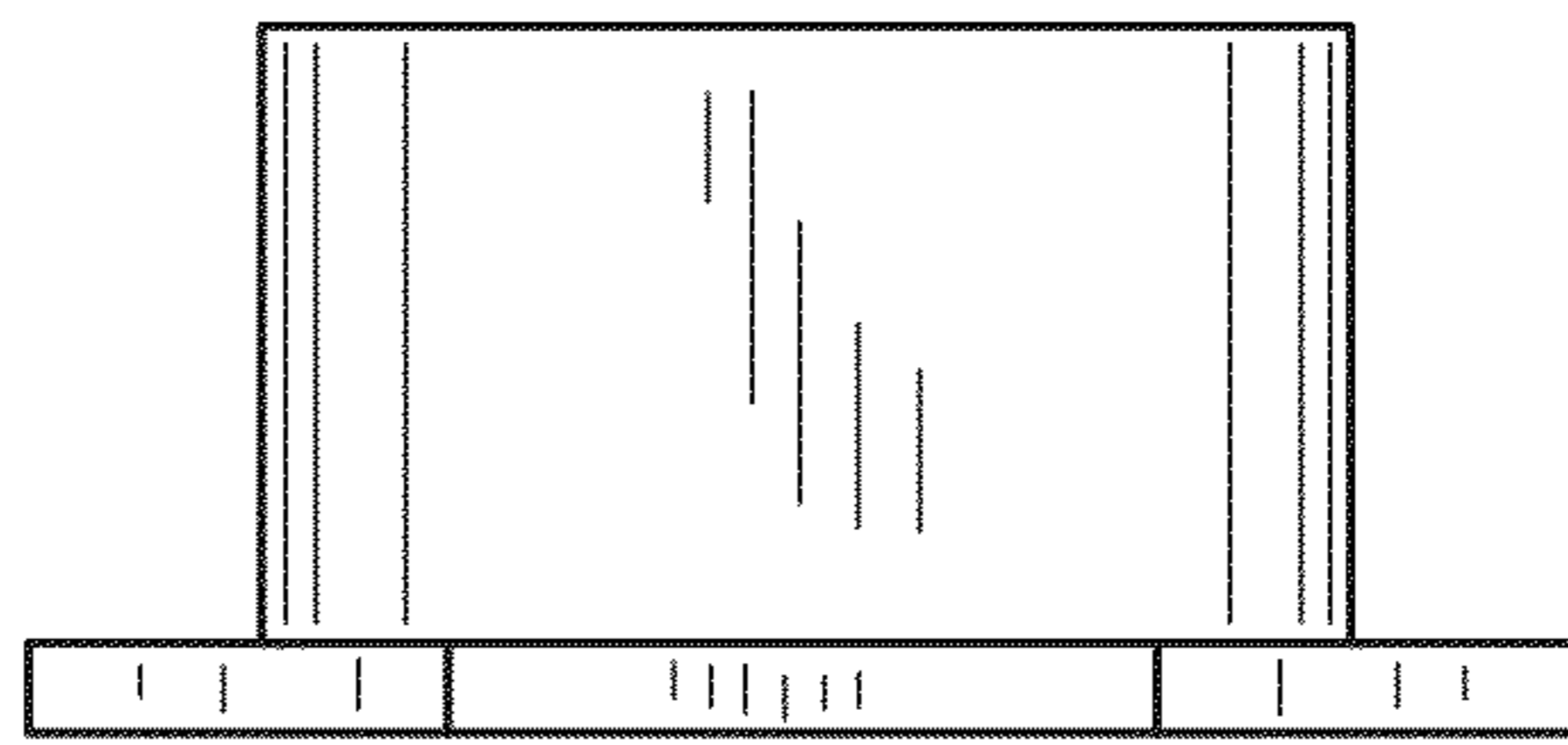


FIG. 4

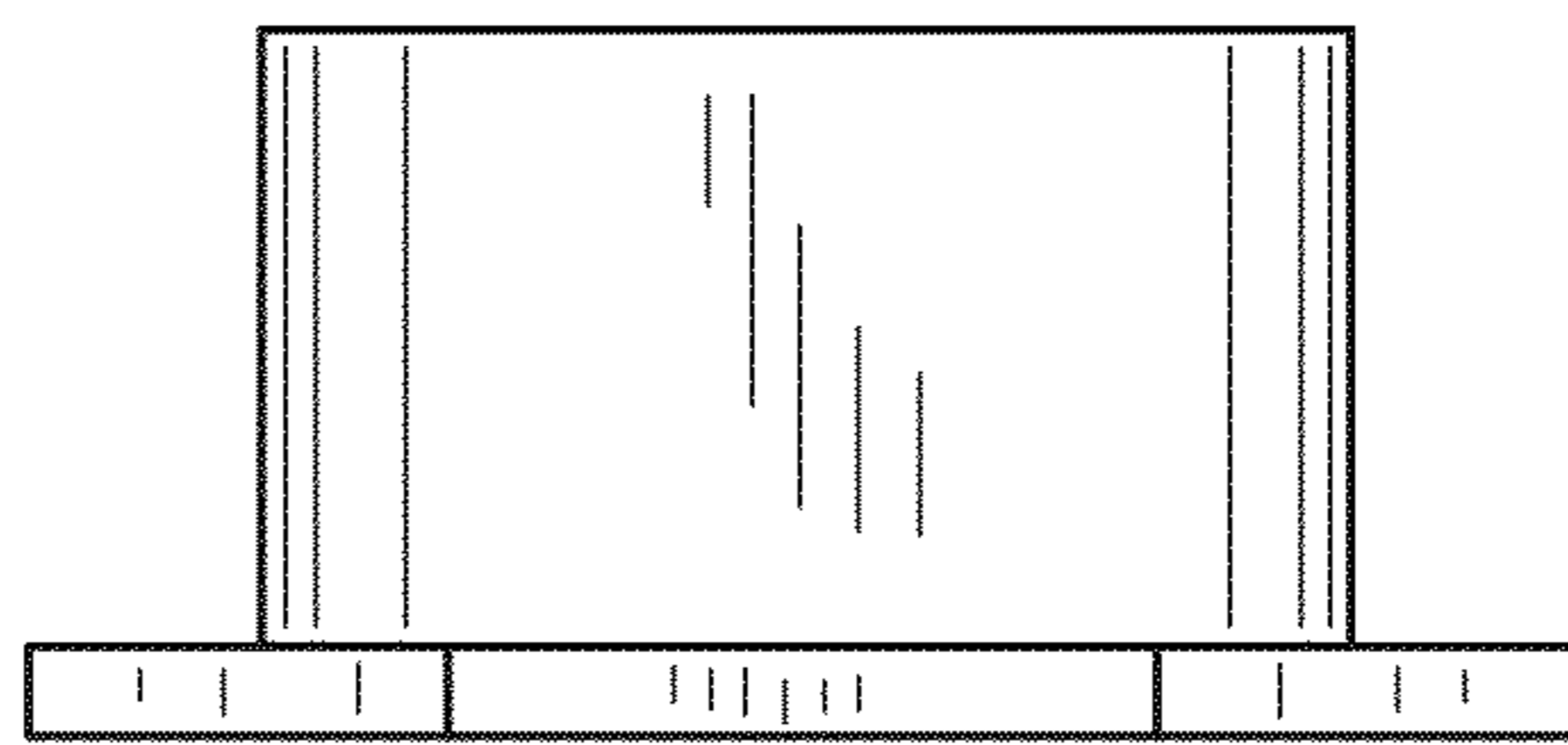


FIG. 5

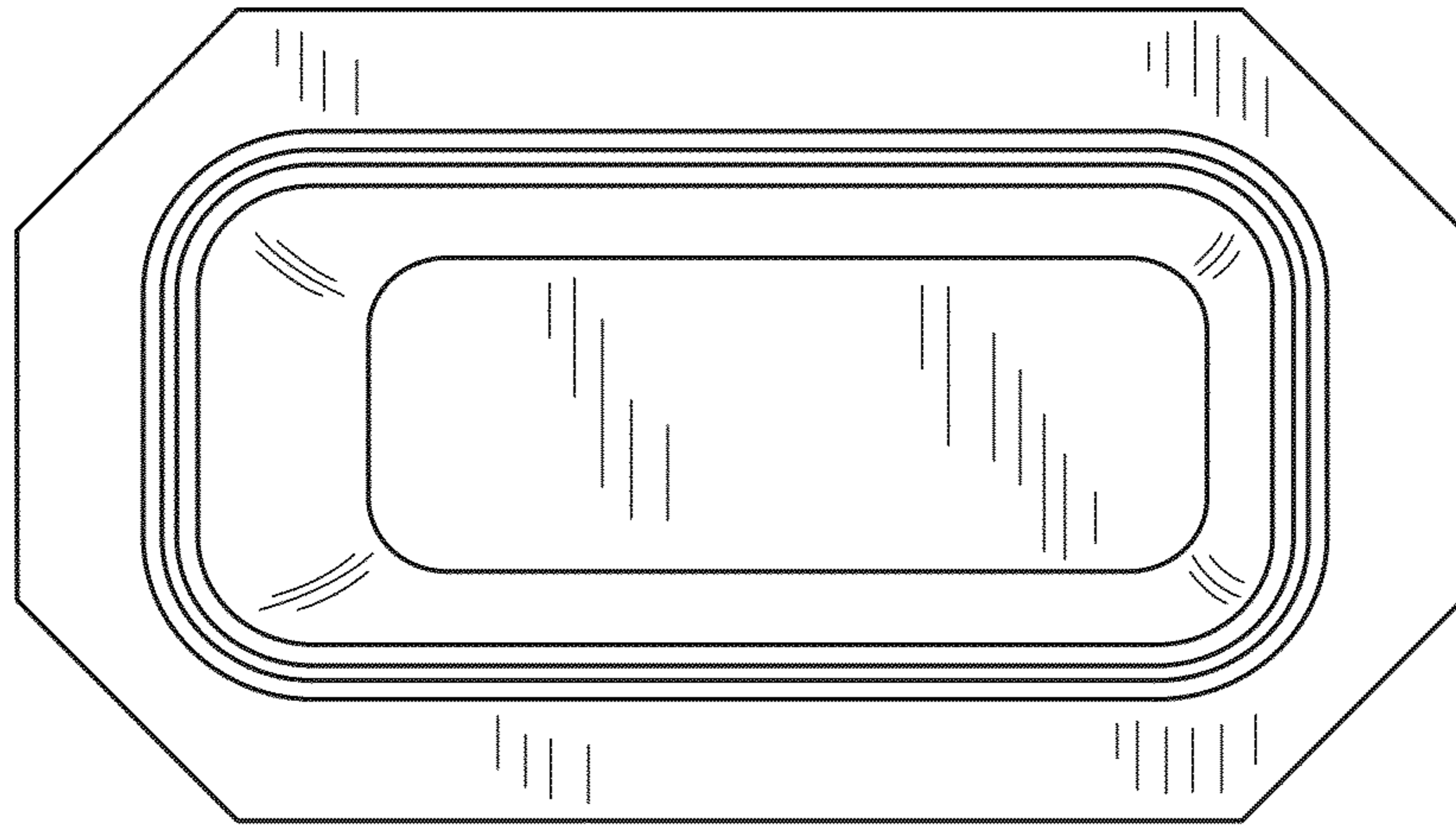


FIG. 6

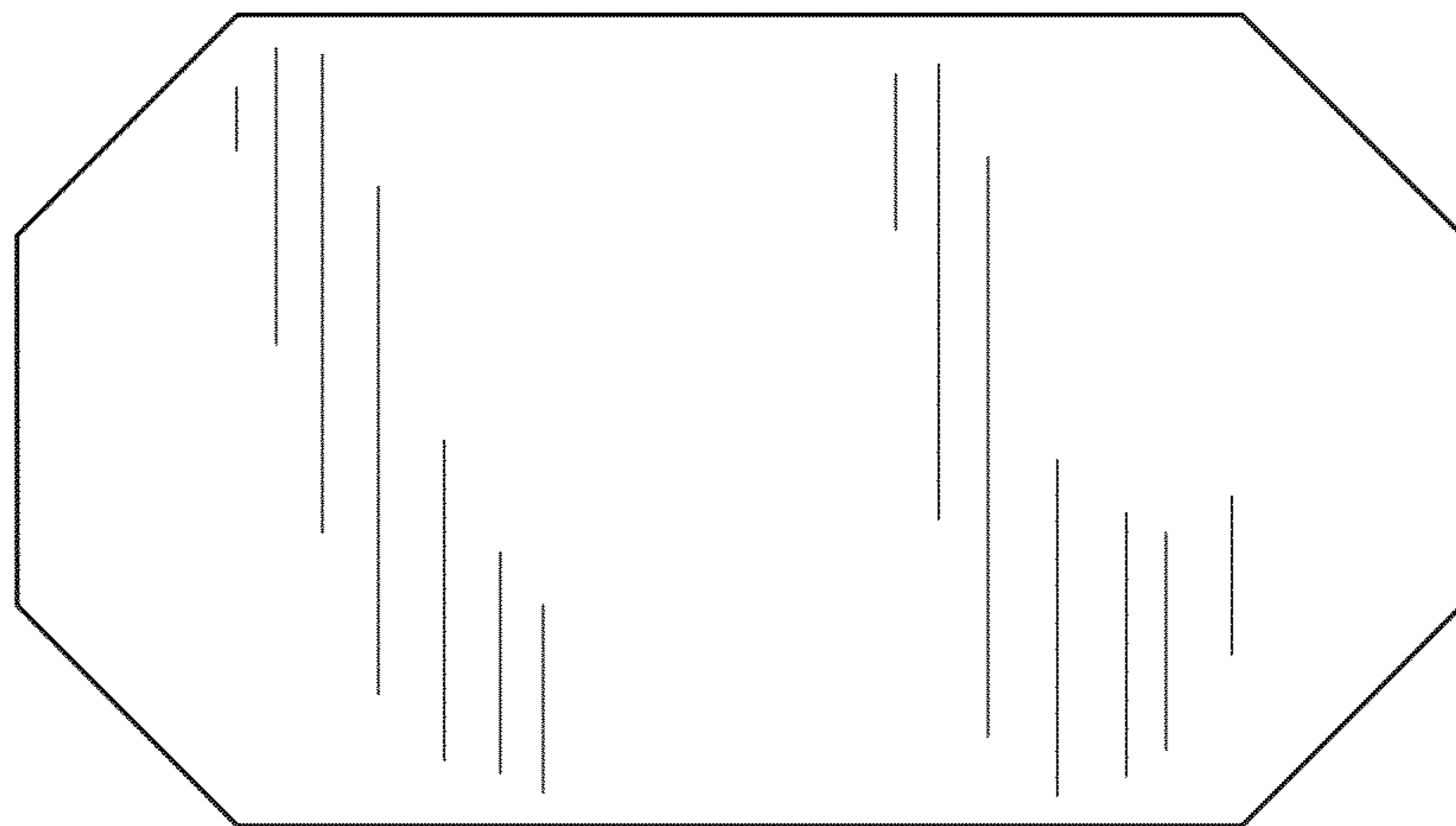


FIG. 7

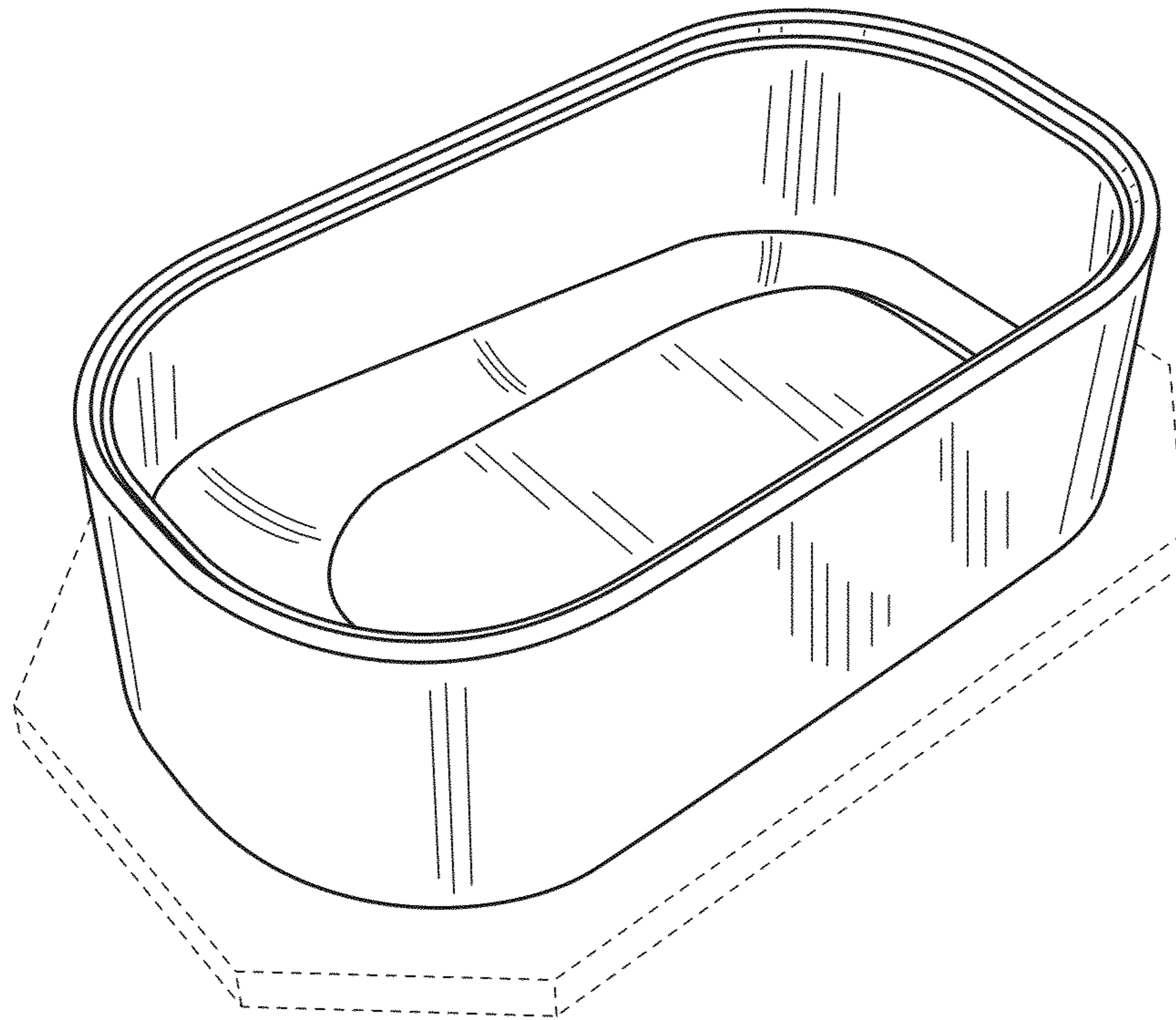


FIG.8

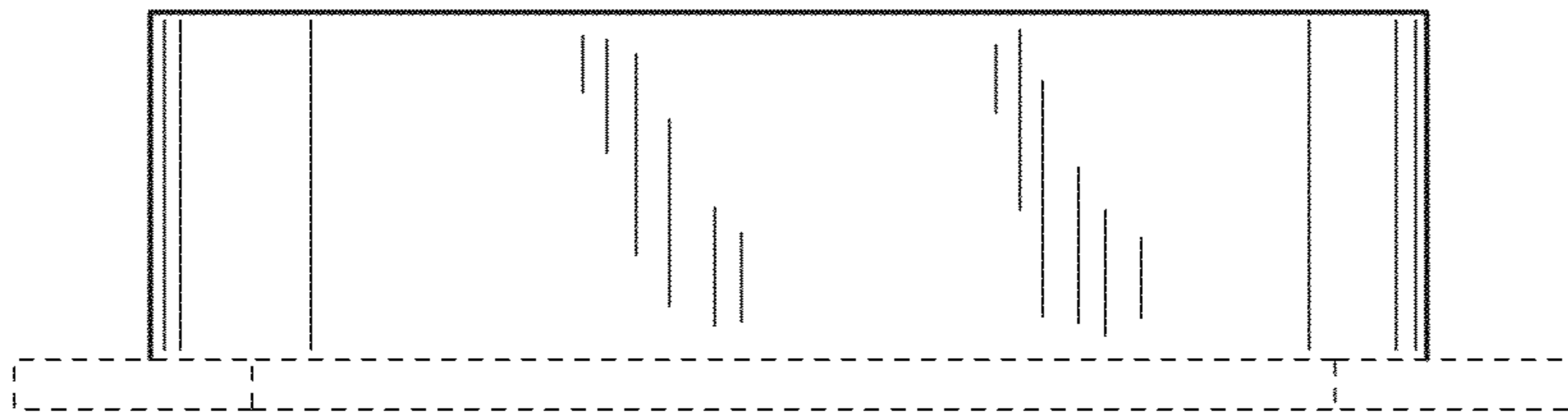


FIG. 9

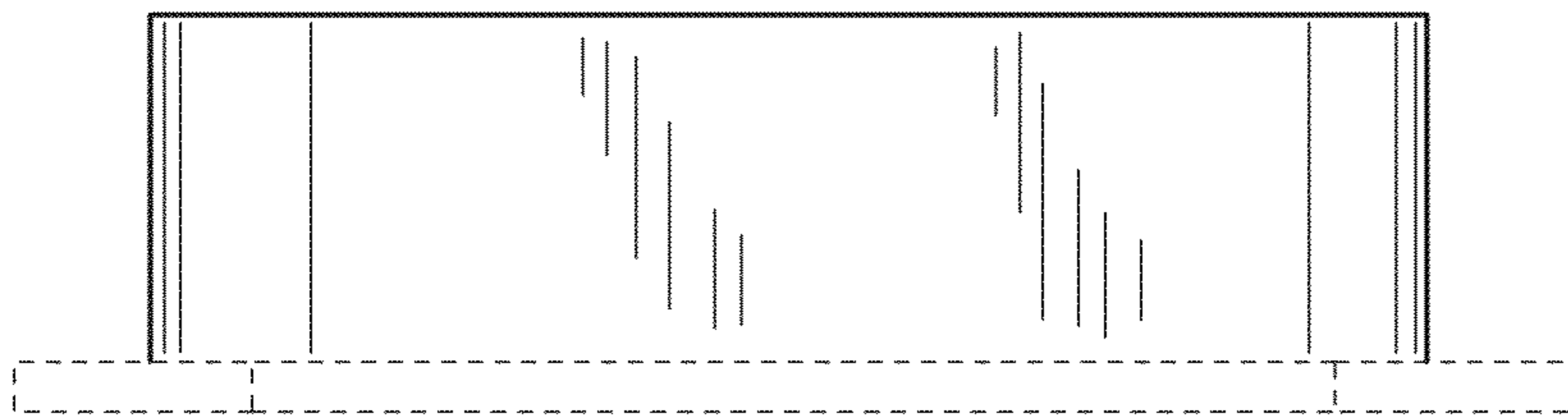


FIG. 10

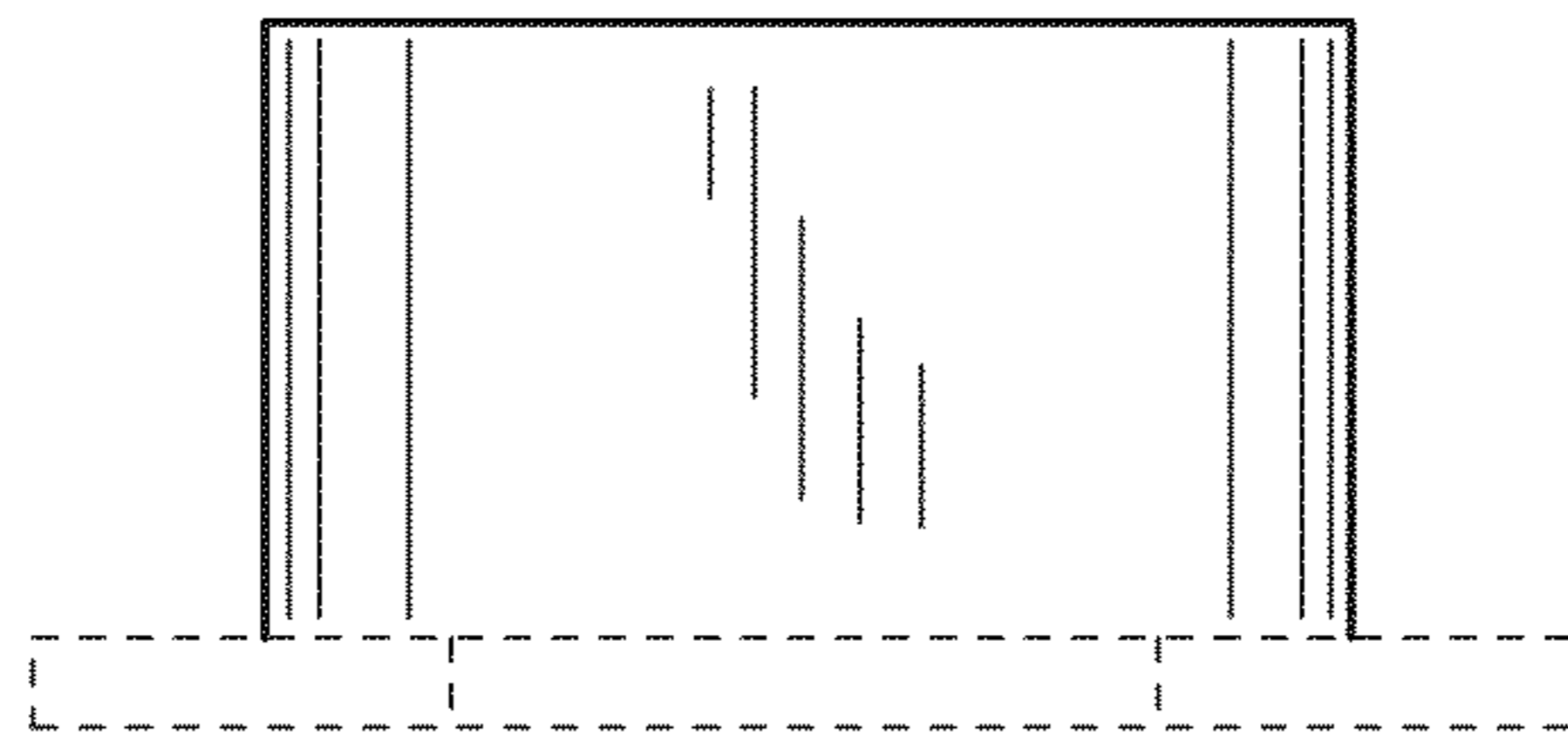


FIG. 11

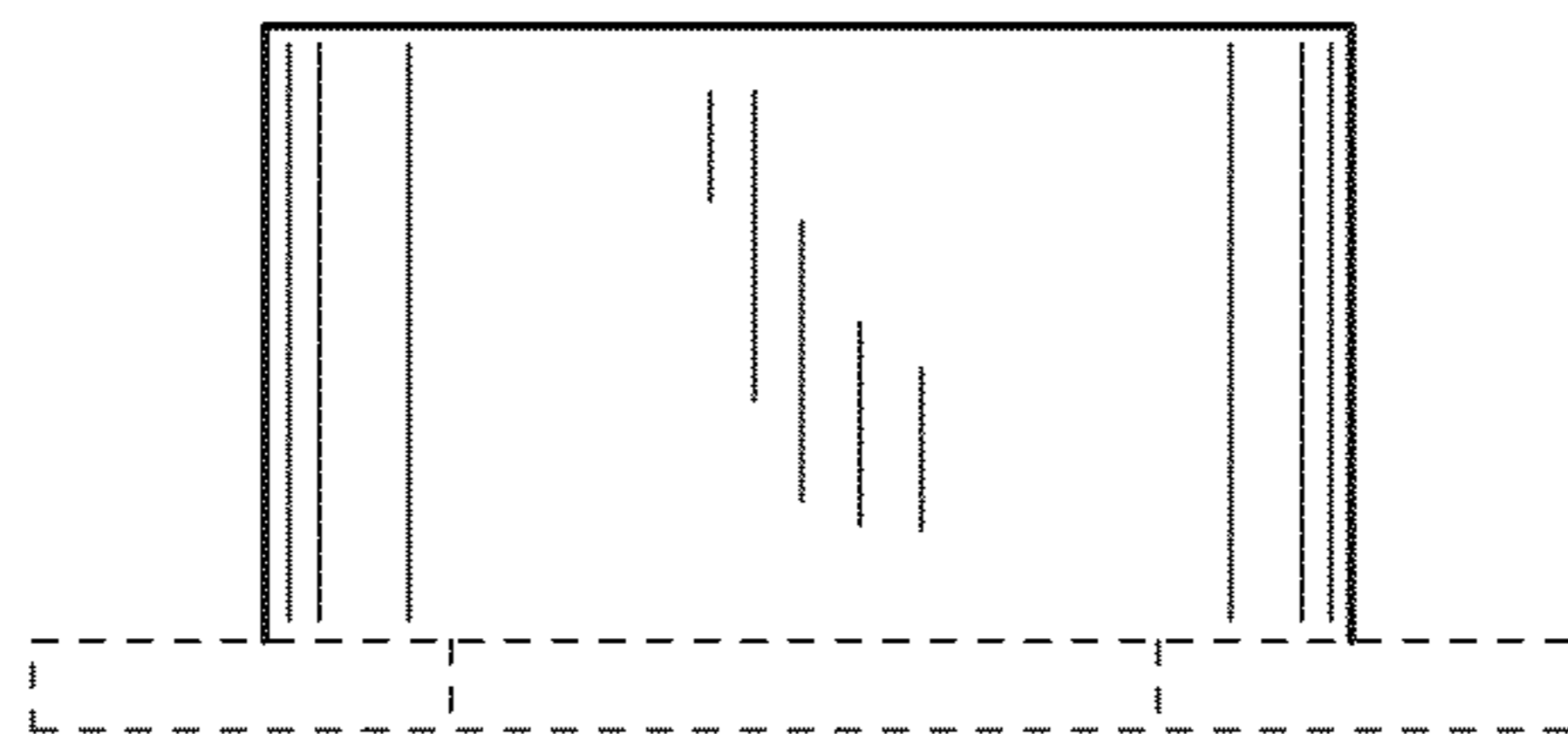


FIG. 12

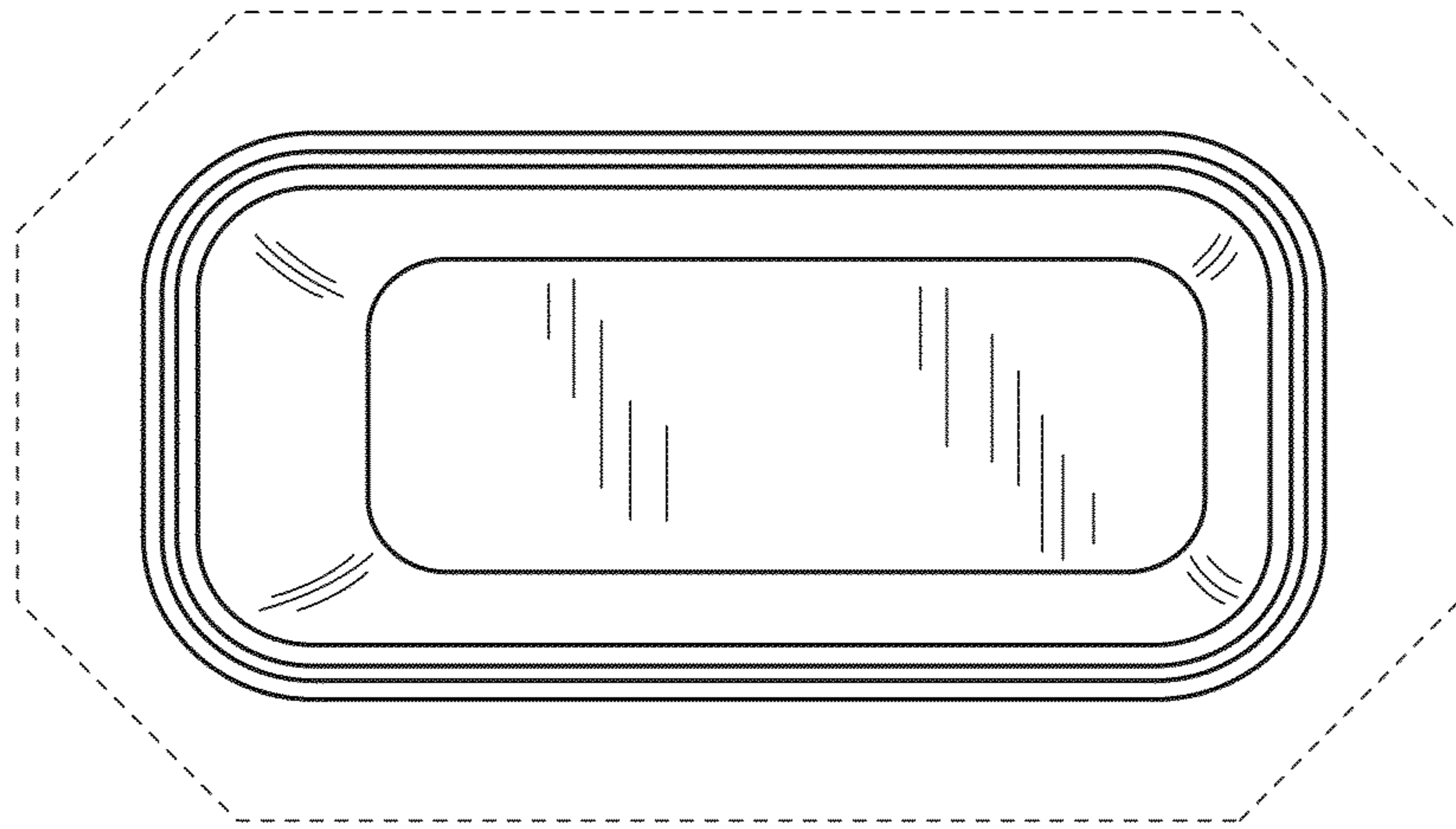


FIG13



FIG.14