



US00D736834S

(12) **United States Design Patent**
Pasco

(10) **Patent No.:** **US D736,834 S**

(45) **Date of Patent:** **** Aug. 18, 2015**

(54) **WATER PUMPING STATION**

(71) Applicant: **Oldcastle Precast, Inc.**, Auburn, WA
(US)

(72) Inventor: **Ken Pasco**, Burlington, CT (US)

(73) Assignee: **Oldcastle Precast, Inc.**, Auburn, WA
(US)

(**) Term: **14 Years**

(21) Appl. No.: **29/479,357**

(22) Filed: **Jan. 15, 2014**

(51) **LOC (10) Cl.** **15-02**

(52) **U.S. Cl.**
USPC **D15/7**

(58) **Field of Classification Search**

USPC D15/7-9; D23/231, 232, 225; 417/60,
417/235, 265, 321, 355, 358, 363, 359,
417/410.1, 415-416, 405, 900, 36, 360,
417/539; 60/408, 412; 184/26-37;
415/140-147; 123/495, 509; 137/363;
210/624

CPC F02M 37/04; F02M 37/14; E02D 29/14;
F04B 39/00

See application file for complete search history.

(56) **References Cited**

U.S. PATENT DOCUMENTS

3,112,760 A * 12/1963 Budd 137/363
3,150,792 A * 9/1964 Bright 220/62.19

(Continued)

OTHER PUBLICATIONS

U.S. Appl. No. 29/479,359, filed Jan. 15, 2014, Pasco.

(Continued)

Primary Examiner — Ralf Seifert

(74) *Attorney, Agent, or Firm* — Sheridan Ross P.C.

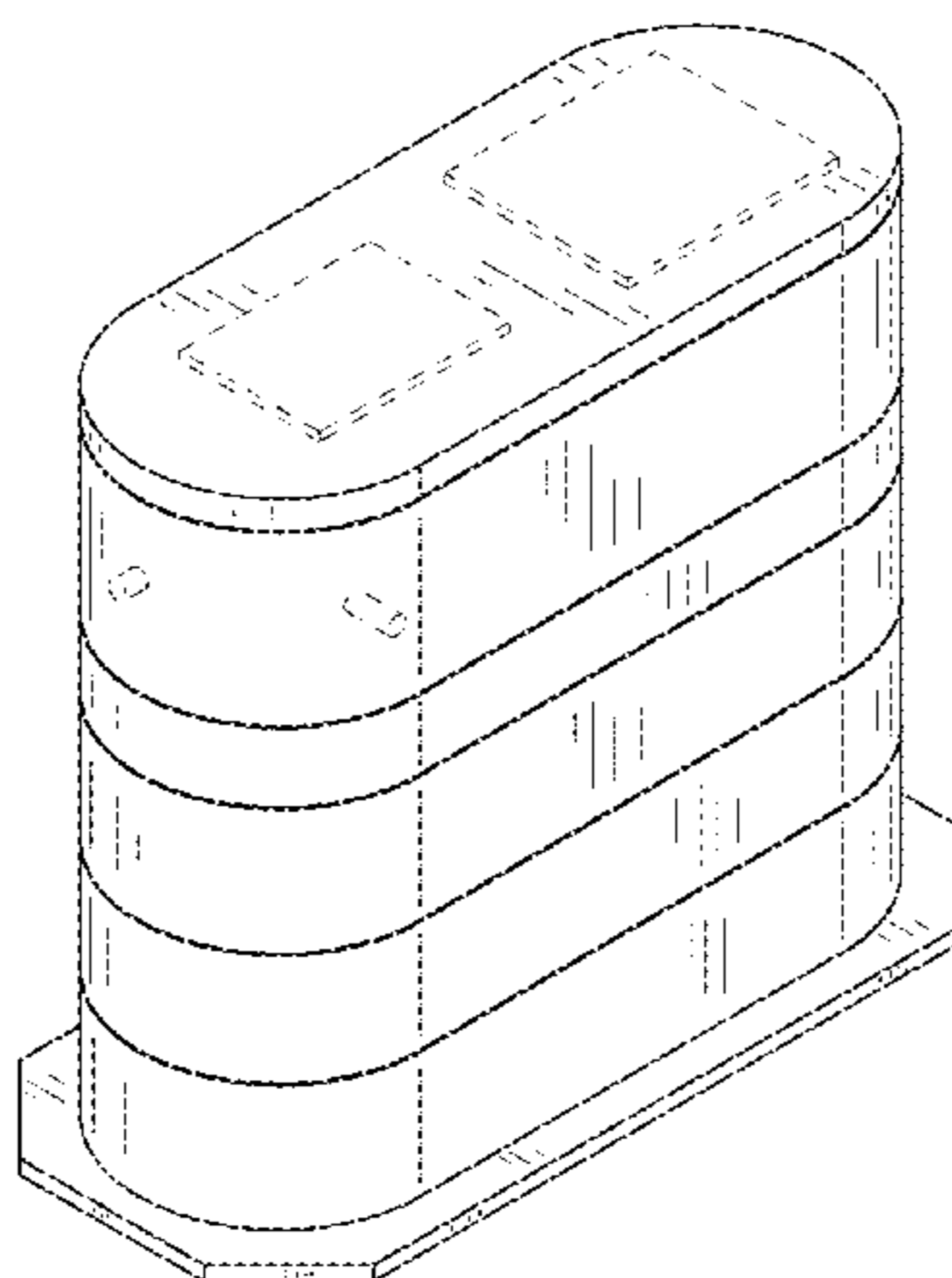
(57) **CLAIM**

The ornamental design for a water pumping station, as shown and described.

DESCRIPTION

FIG. 1 is a perspective view of the water pumping station showing the first embodiment of my new design; FIG. 2 is a top plan view thereof; FIG. 3 is a front elevation view thereof; FIG. 4 is a left elevation view thereof; FIG. 5 is a right elevation view thereof; FIG. 6 is a rear elevation view thereof; FIG. 7 is an exploded perspective view thereof; FIG. 8 is a perspective view of the water pumping station showing a second embodiment of my new design; FIG. 9 is a top plan view of the embodiment of FIG. 8; FIG. 10 is a front elevation view of the embodiment of FIG. 8; FIG. 11 is a left elevation view of the embodiment of FIG. 8; FIG. 12 is a right elevation view of the embodiment of FIG. 8; FIG. 13 is a rear elevation view of the embodiment of FIG. 8; FIG. 14 is a perspective view of the water pumping station showing a third embodiment of my new design; FIG. 15 is a top plan view of the embodiment of FIG. 14; FIG. 16 is a front elevation view of the embodiment of FIG. 14; FIG. 17 is a left elevation view of the embodiment of FIG. 14; FIG. 18 is a right elevation view of the embodiment of FIG. 14; FIG. 19 is a rear elevation view of the embodiment of FIG. 14; FIG. 20 is a perspective view of the water pumping station showing a fourth embodiment of my new design; FIG. 21 is a top plan view of the embodiment of FIG. 20; FIG. 22 is a front elevation view of the embodiment of FIG. 20; FIG. 23 is a left elevation view of the embodiment of FIG. 20; FIG. 24 is a right elevation view of the embodiment of FIG. 20; and, FIG. 25 is a rear elevation view of the embodiment of FIG. 20. The broken lines showing a water pumping station form environment structure or boundaries that form no part of the claimed design.

1 Claim, 13 Drawing Sheets



(56)

References Cited

U.S. PATENT DOCUMENTS

3,672,103 A * 6/1972 Kost 52/20
D235,168 S * 5/1975 Boyer et al. D15/7
3,938,545 A * 2/1976 Nagy et al. 137/363
3,974,599 A * 8/1976 Grosh 52/20
4,178,139 A * 12/1979 Seppanen et al. 417/360
4,655,361 A * 4/1987 Clover et al. 137/363
4,679,991 A * 7/1987 Harbison et al. 417/360
5,334,000 A * 8/1994 Nordlin 417/360
5,358,385 A * 10/1994 Wang 417/44.8

5,772,361 A * 6/1998 Gavin 405/36
6,854,479 B2 * 2/2005 Harwood 137/362
7,144,189 B1 * 12/2006 Bongiovanni et al. 404/25
7,150,290 B1 12/2006 Smith
D693,849 S * 11/2013 Sofussen et al. D15/7
D699,264 S * 2/2014 Sofussen et al. D15/7
8,835,757 B2 * 9/2014 Freeman 174/37
8,955,539 B2 * 2/2015 Early et al. 137/363

OTHER PUBLICATIONS

U.S. Appl. No. 29/479,360, filed Jan. 15, 2014, Pasco.

* cited by examiner

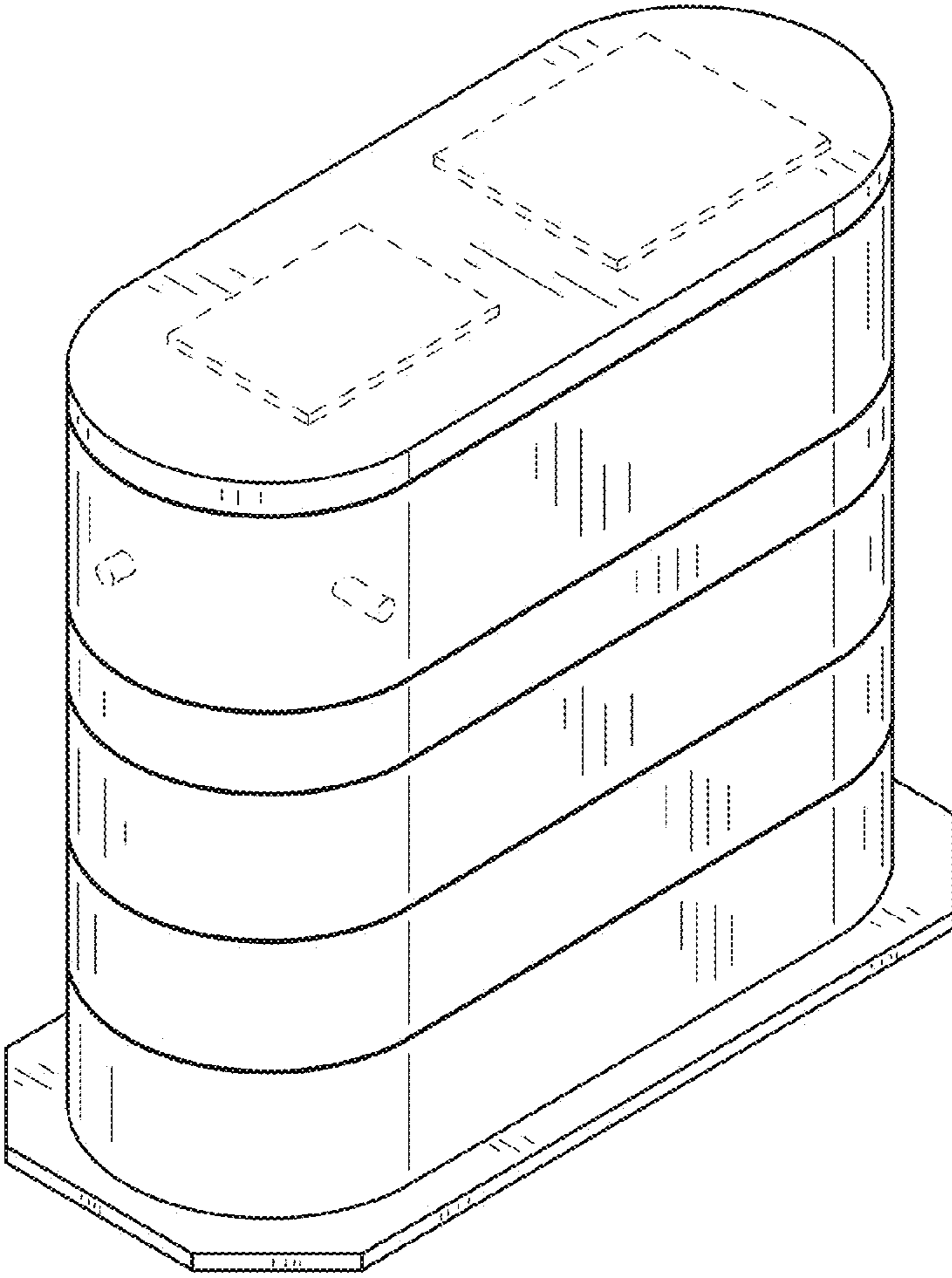


FIG.1

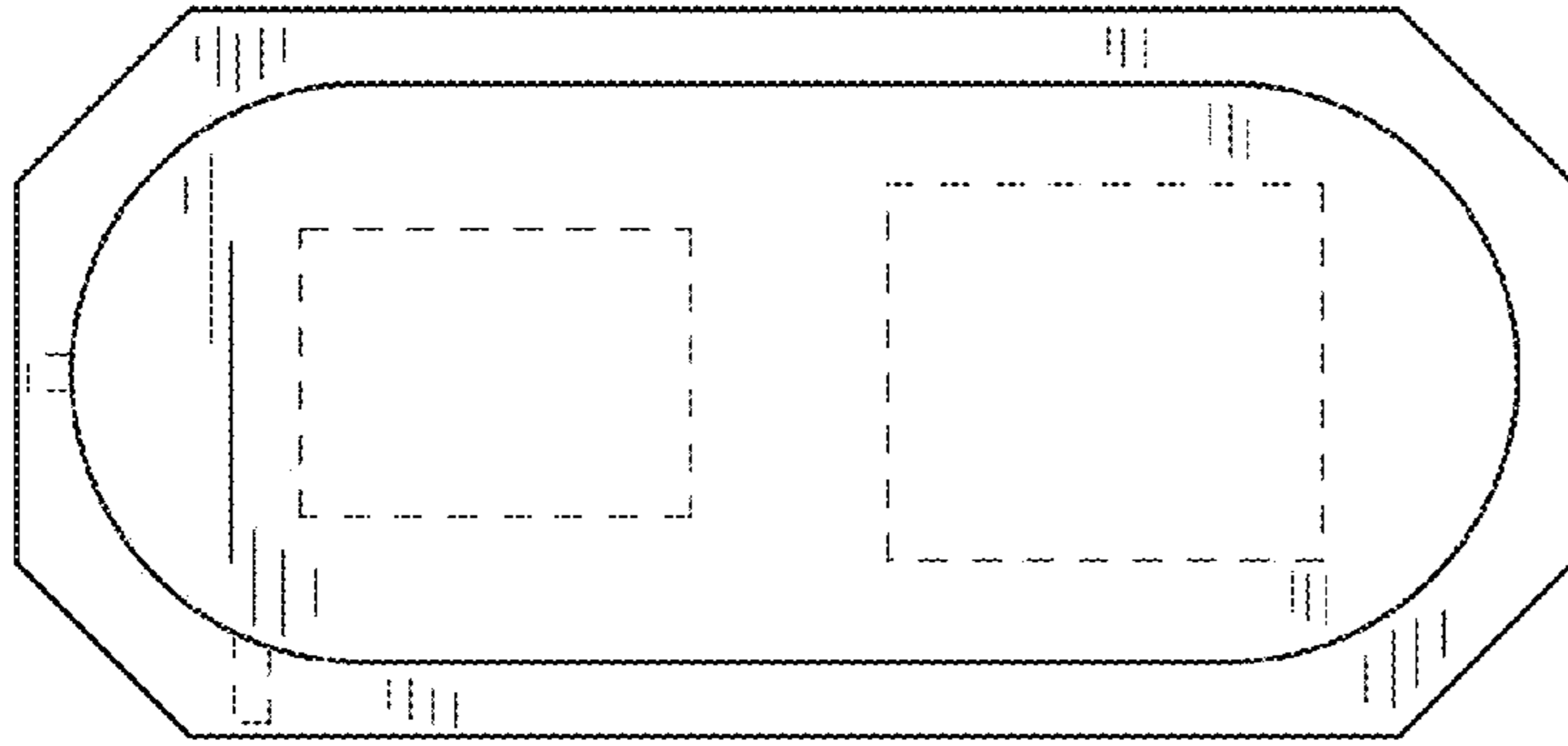


FIG. 2

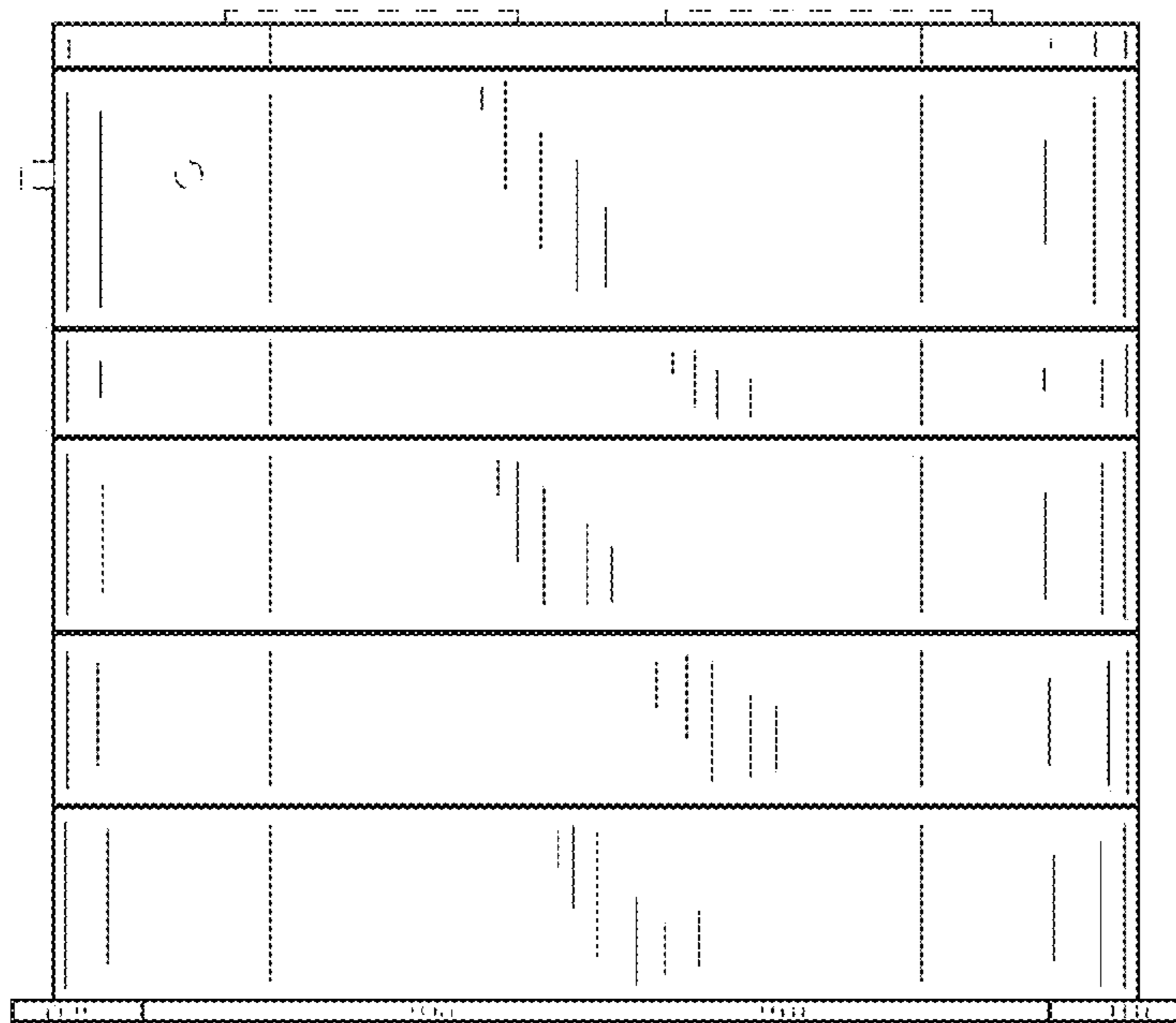


FIG. 3

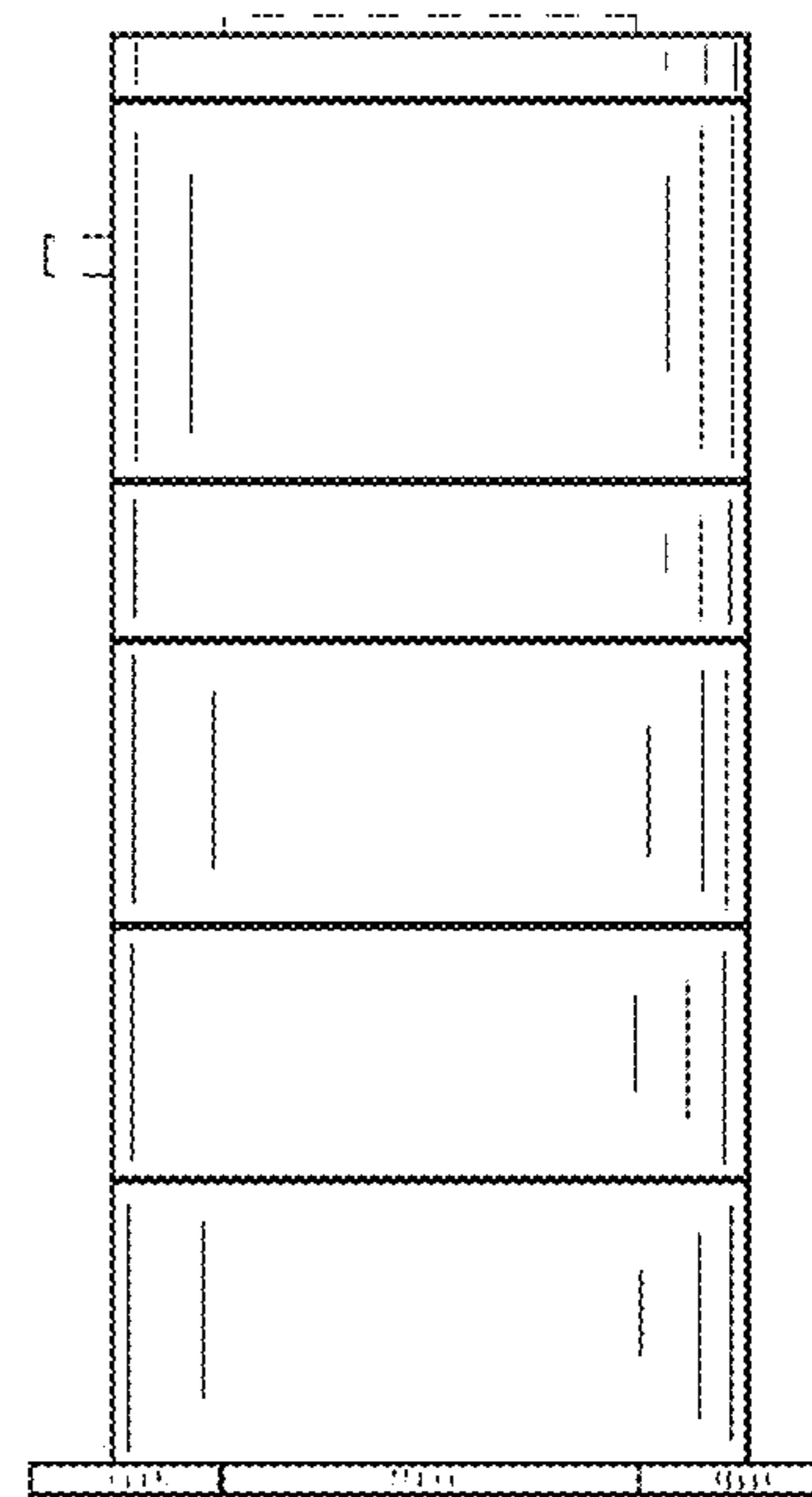


FIG. 4

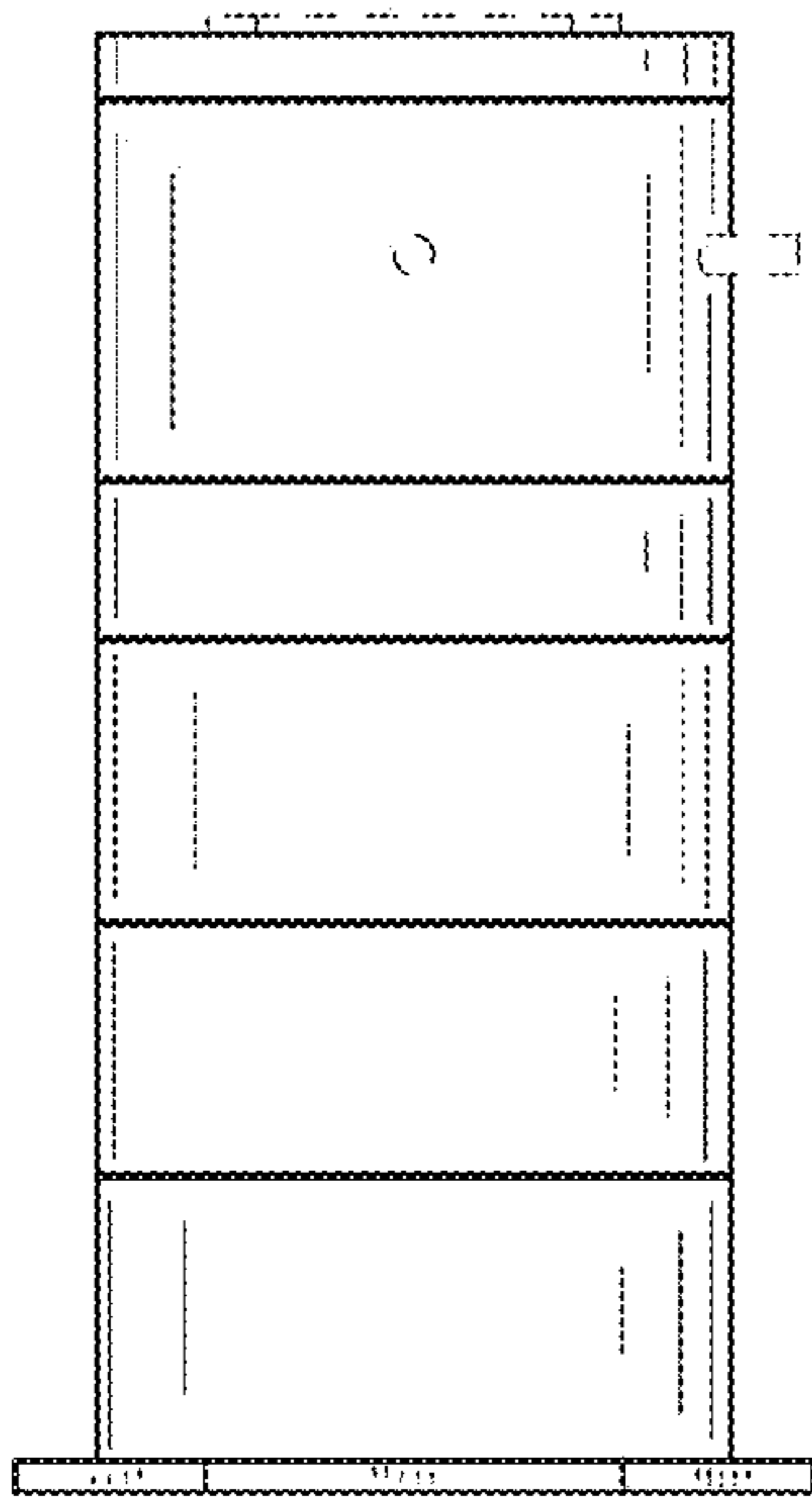


FIG. 5

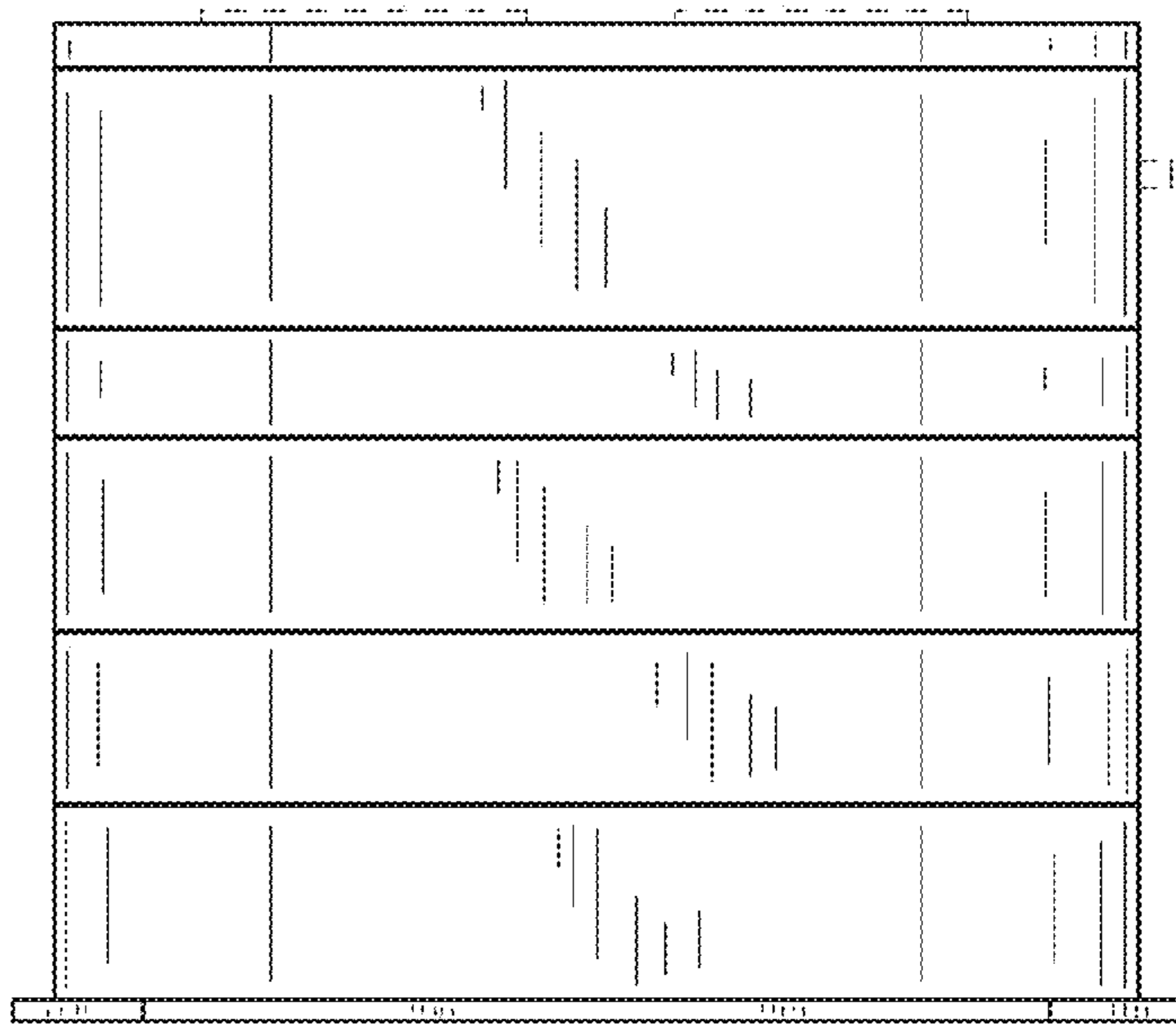


FIG. 6

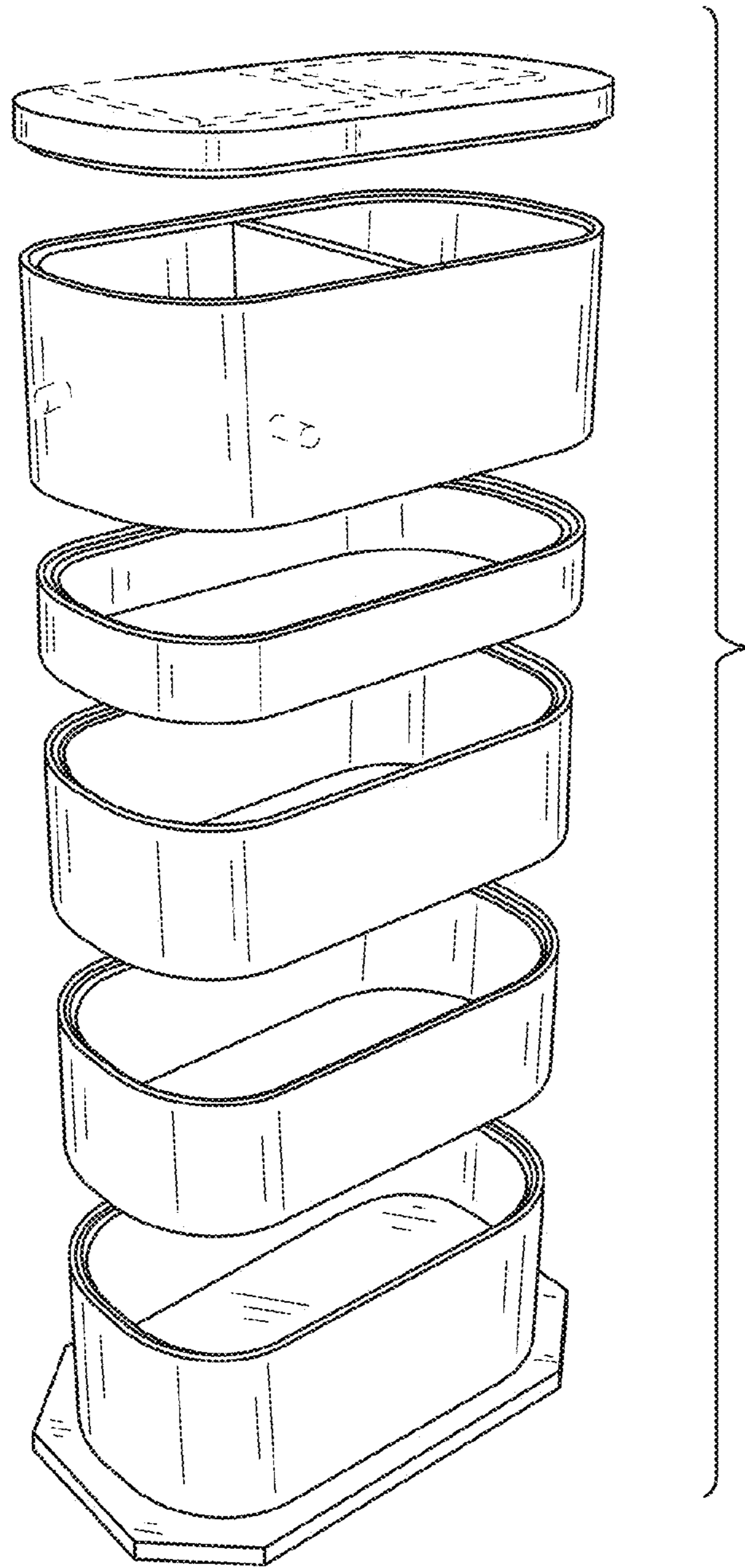


FIG.7

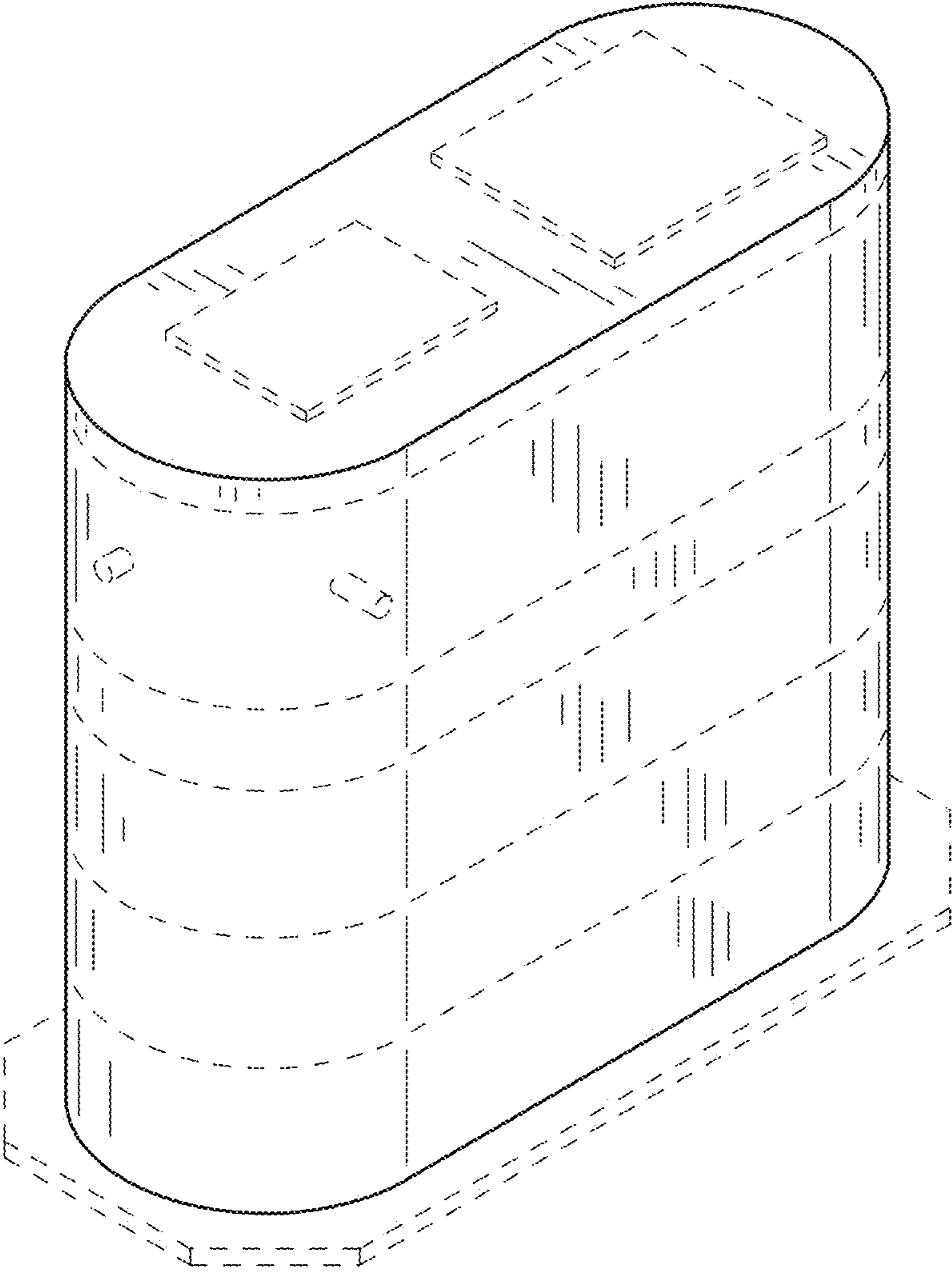


FIG.8

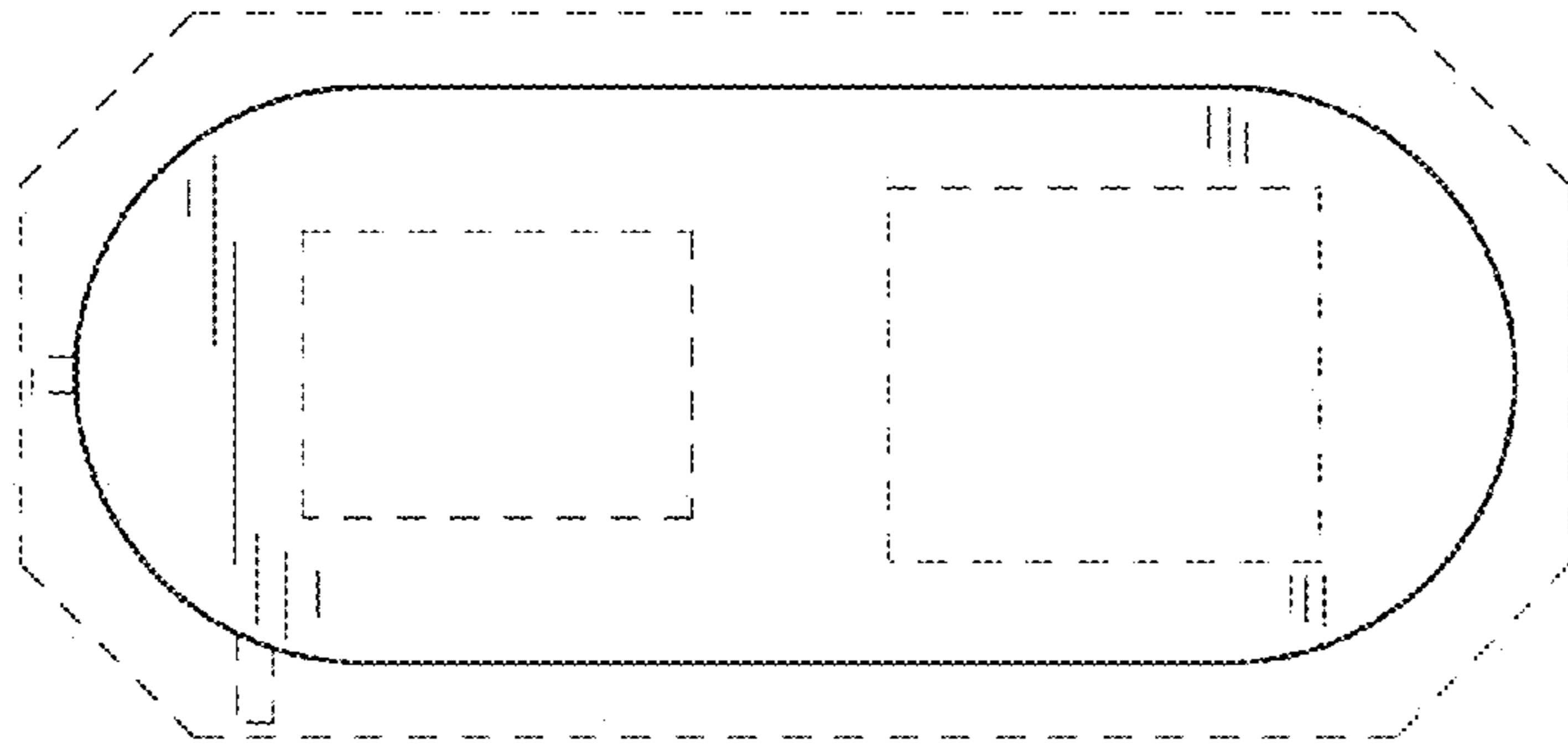


FIG. 9

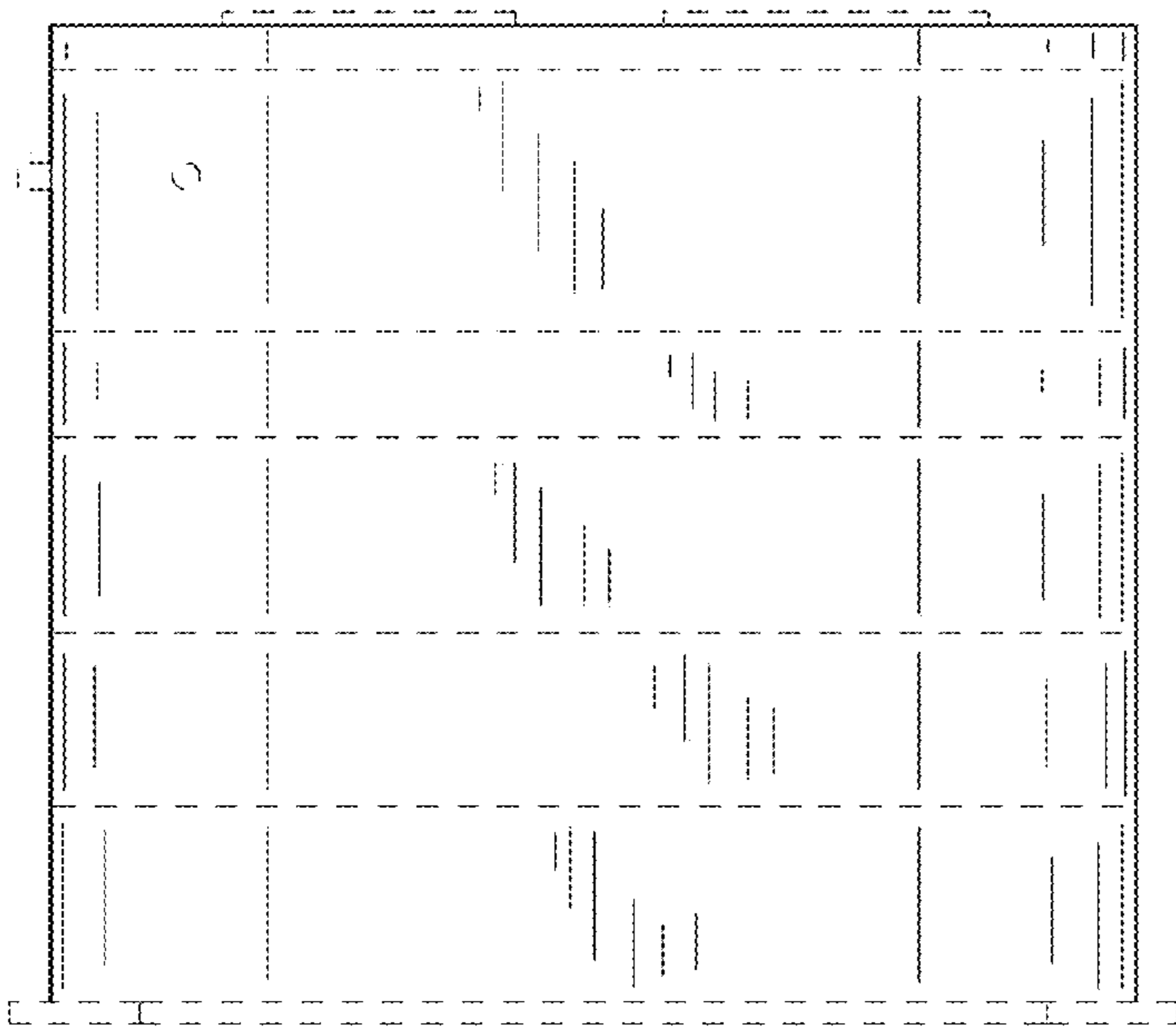


FIG. 10

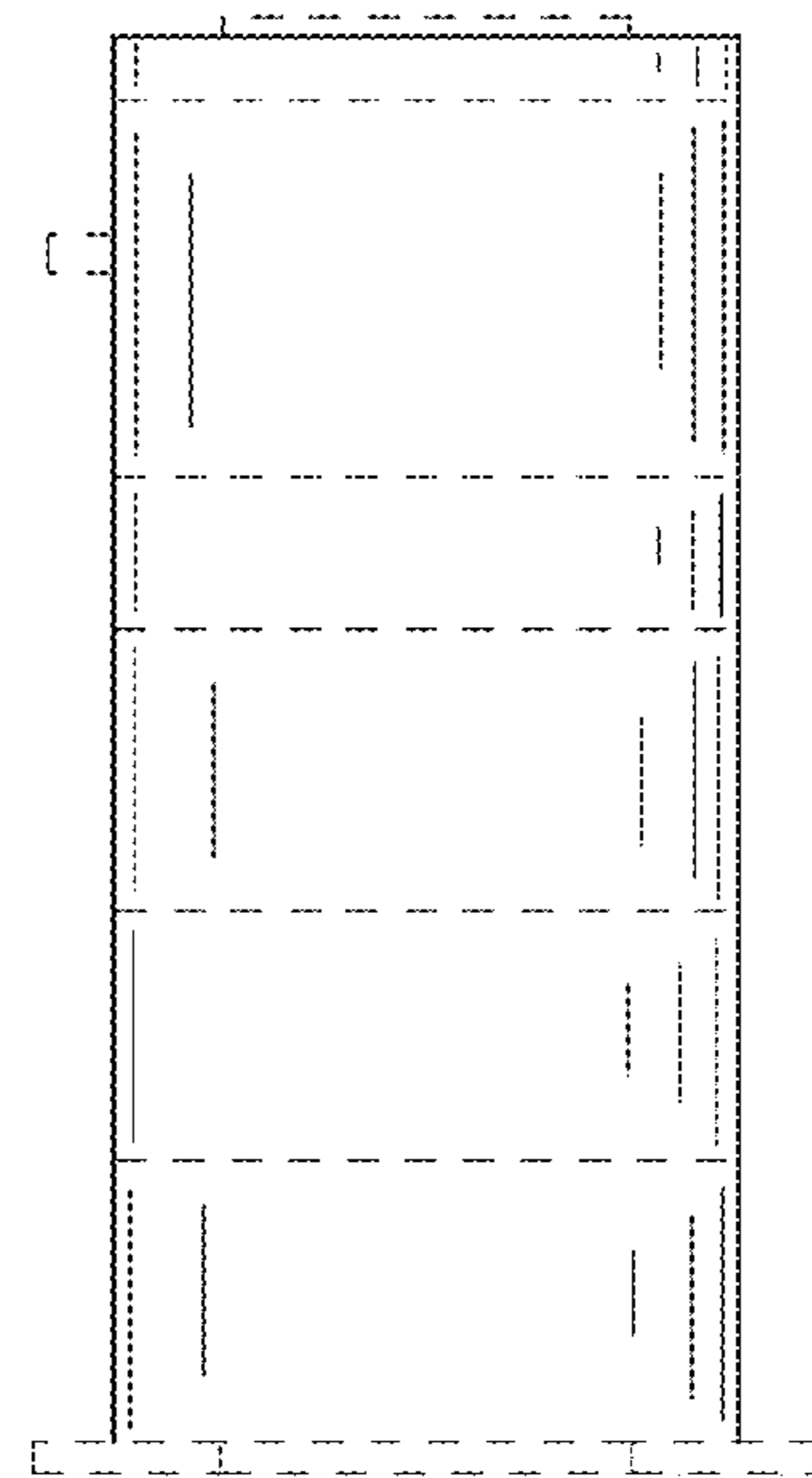


FIG. 11

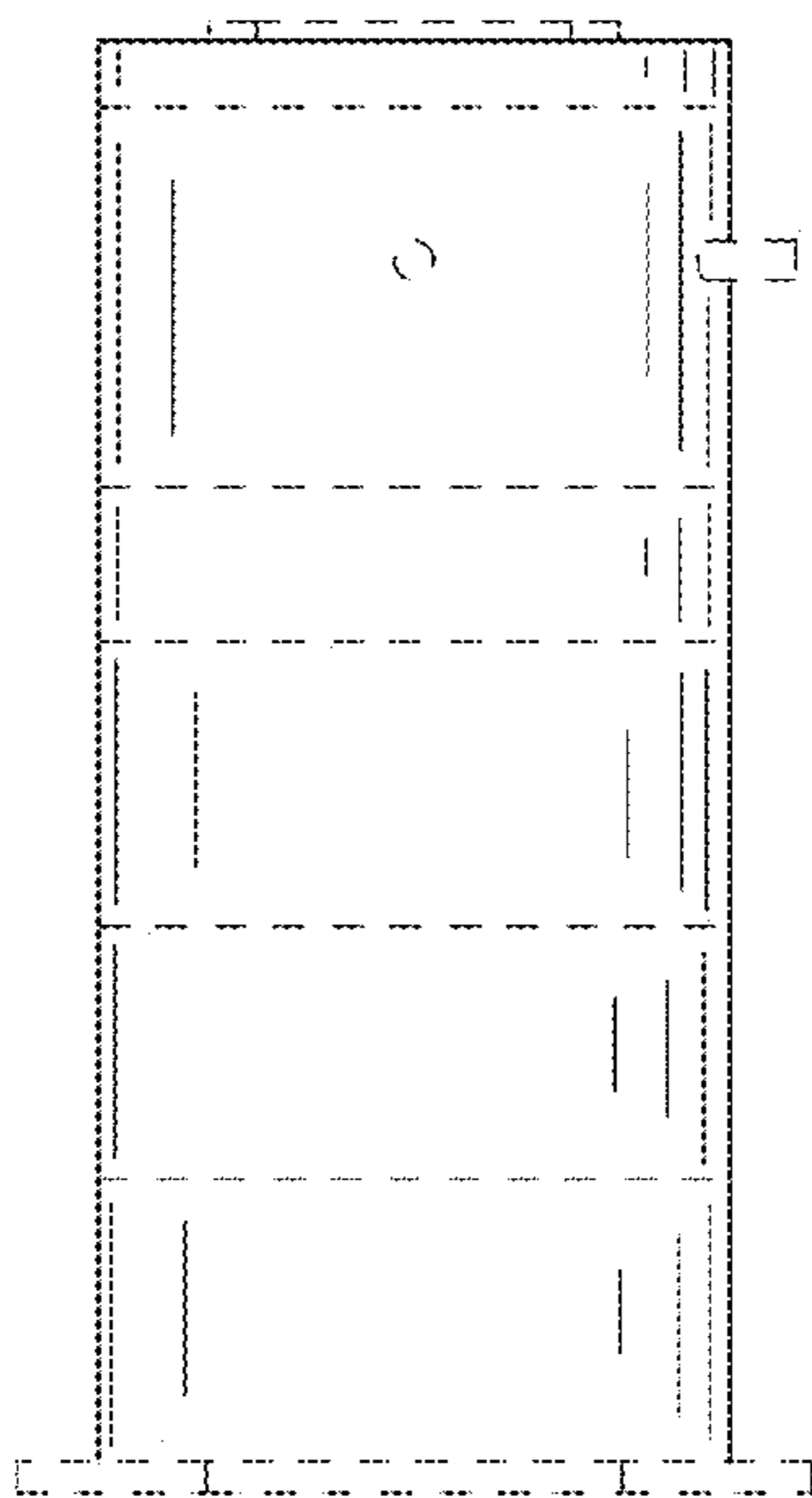


FIG. 12

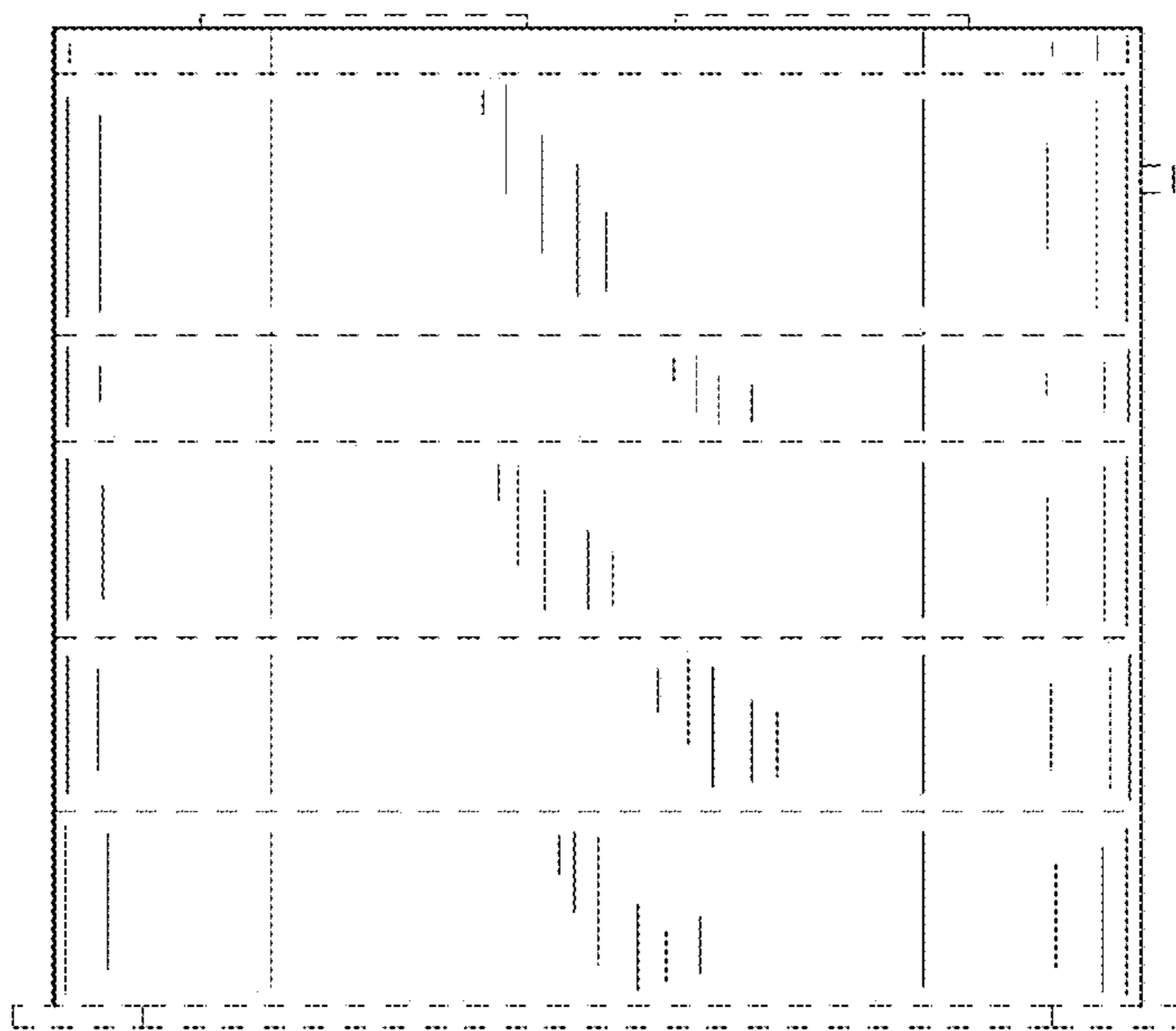


FIG. 13

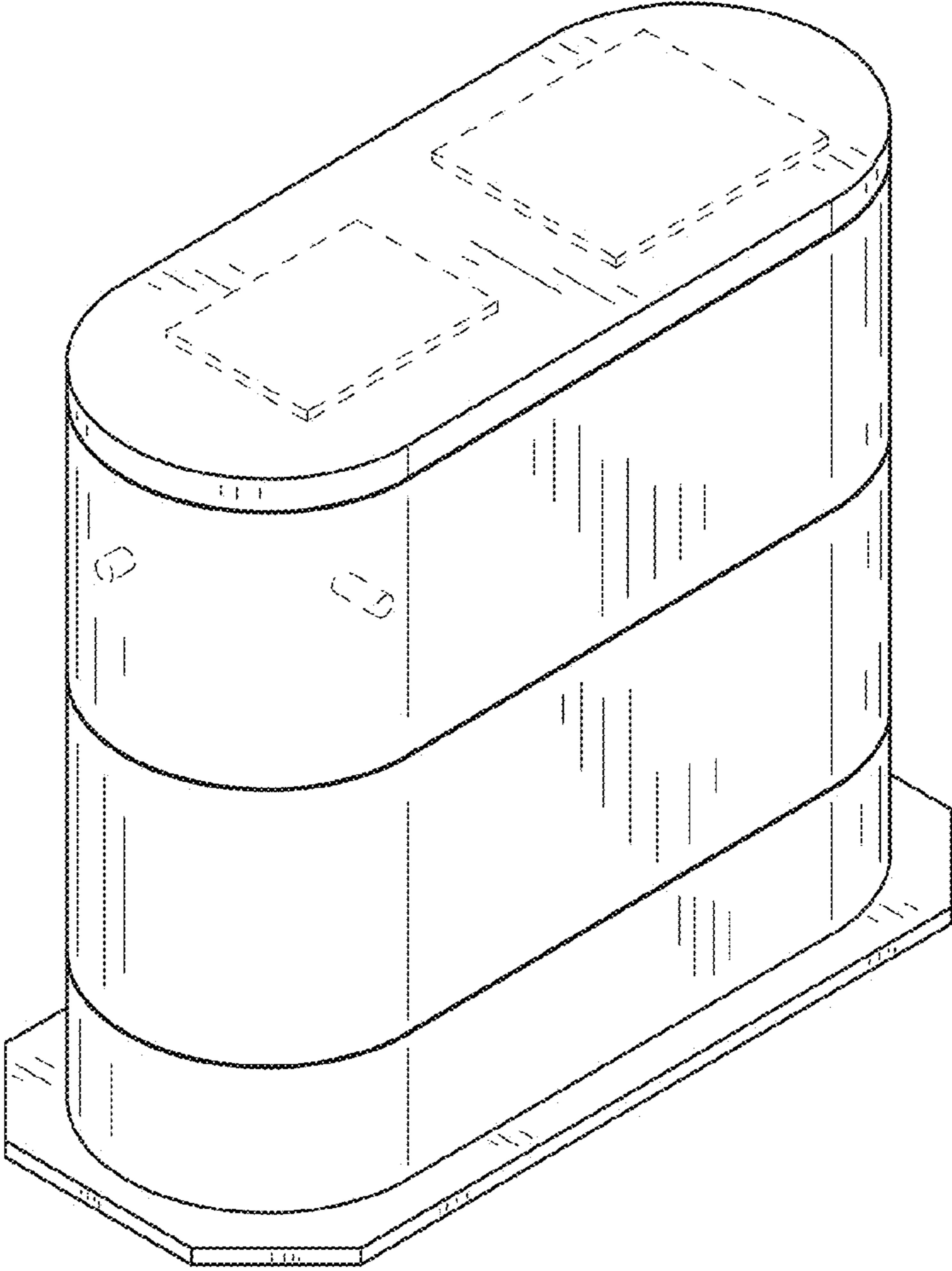


FIG.14

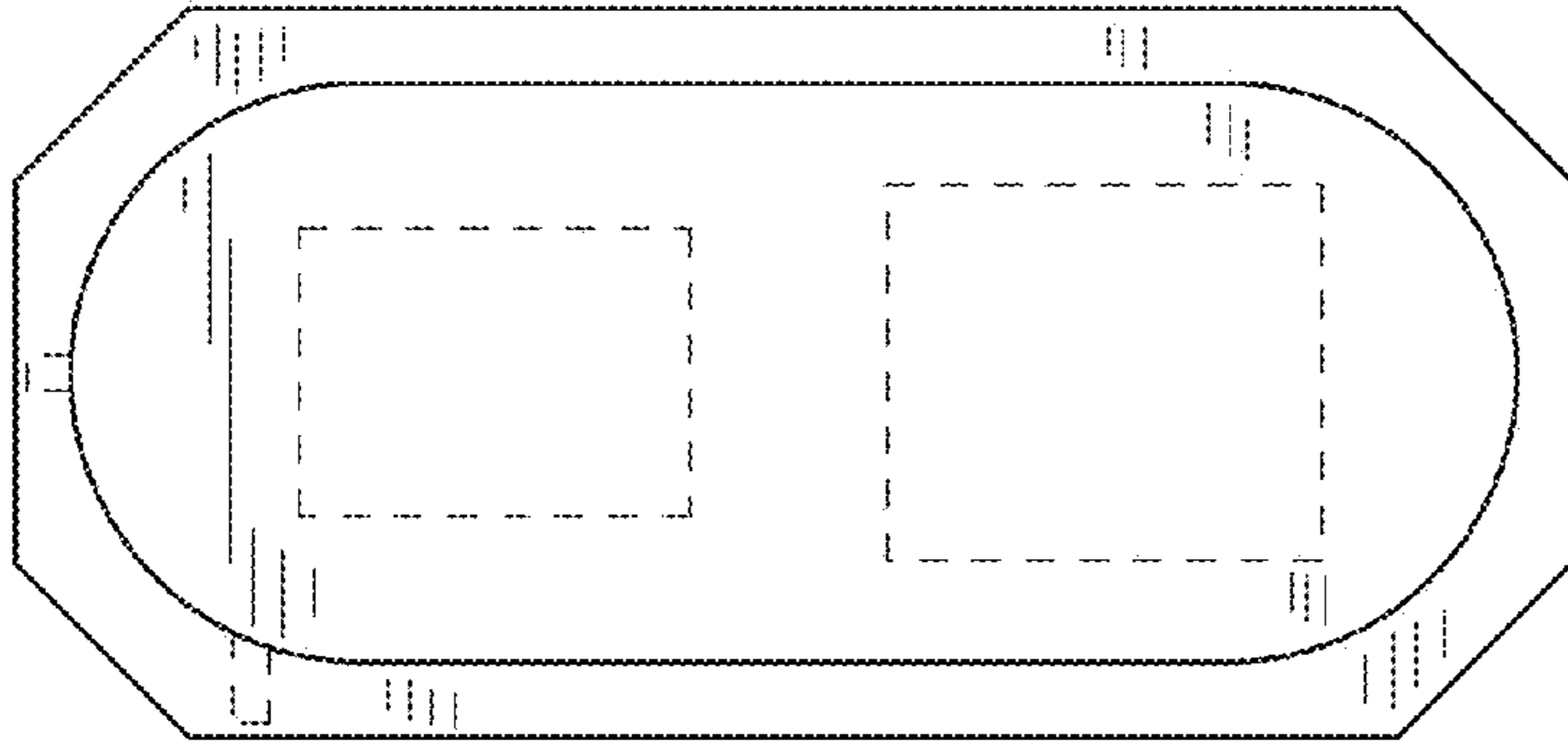


FIG. 15

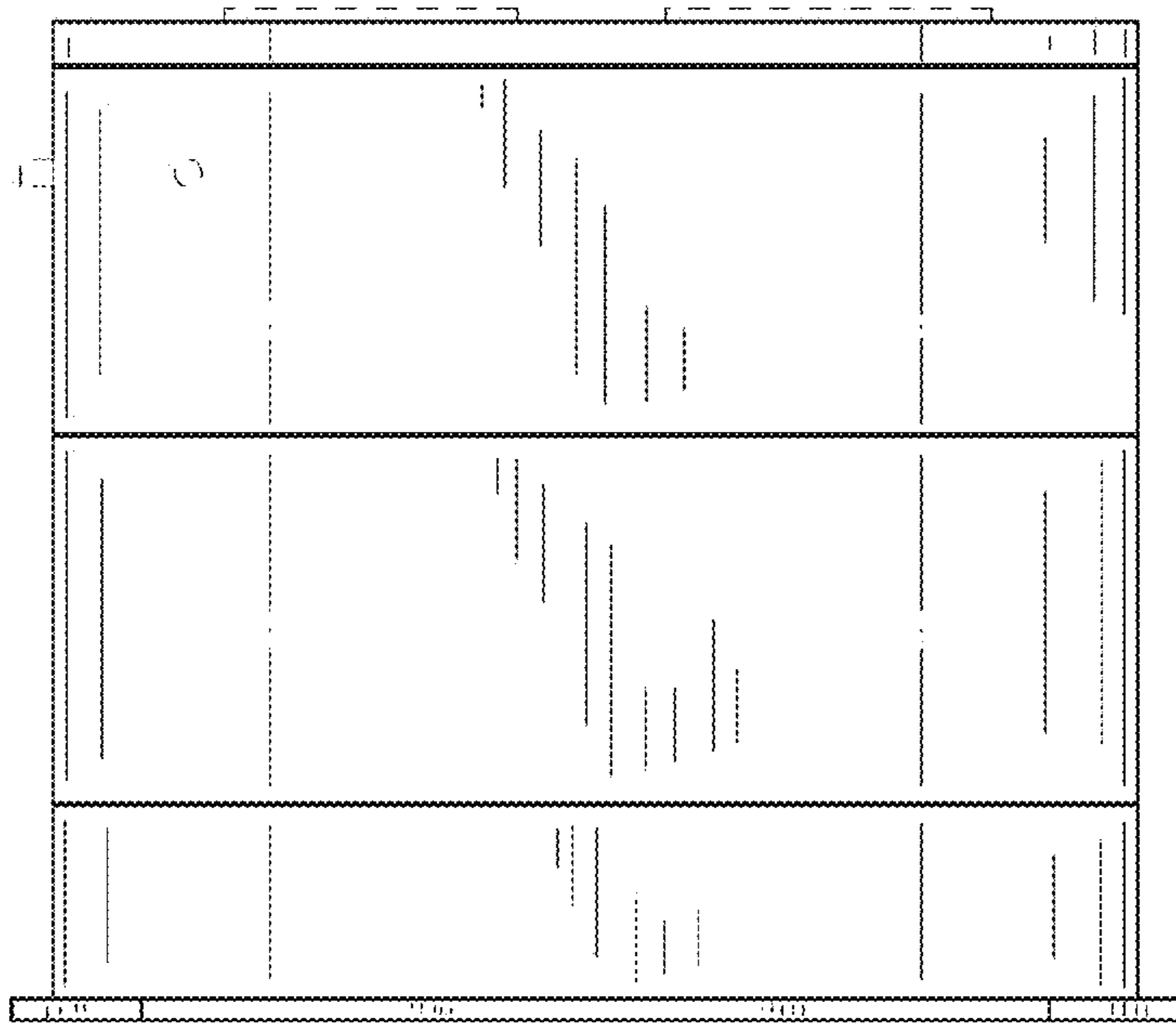


FIG. 16

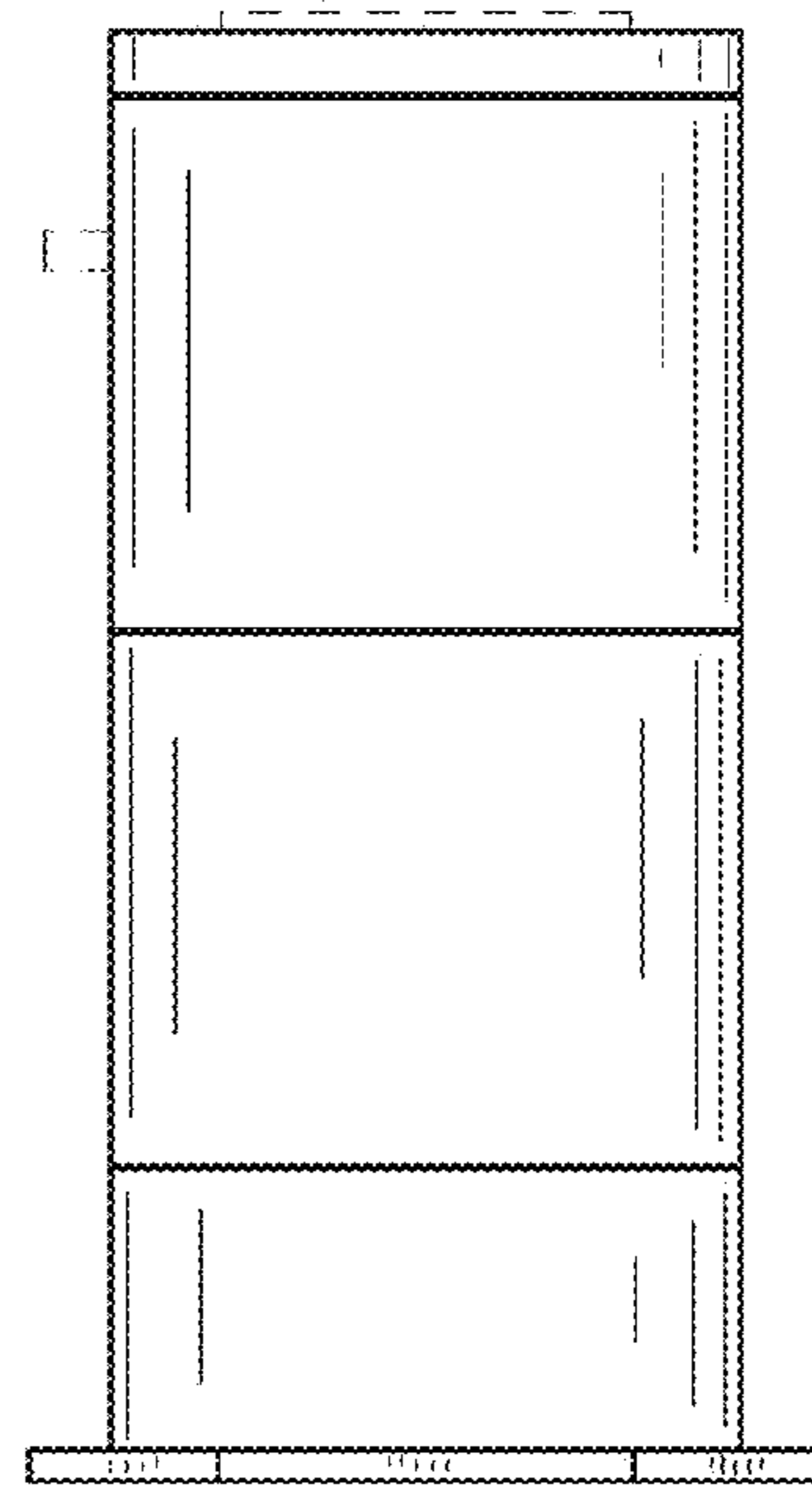


FIG. 17

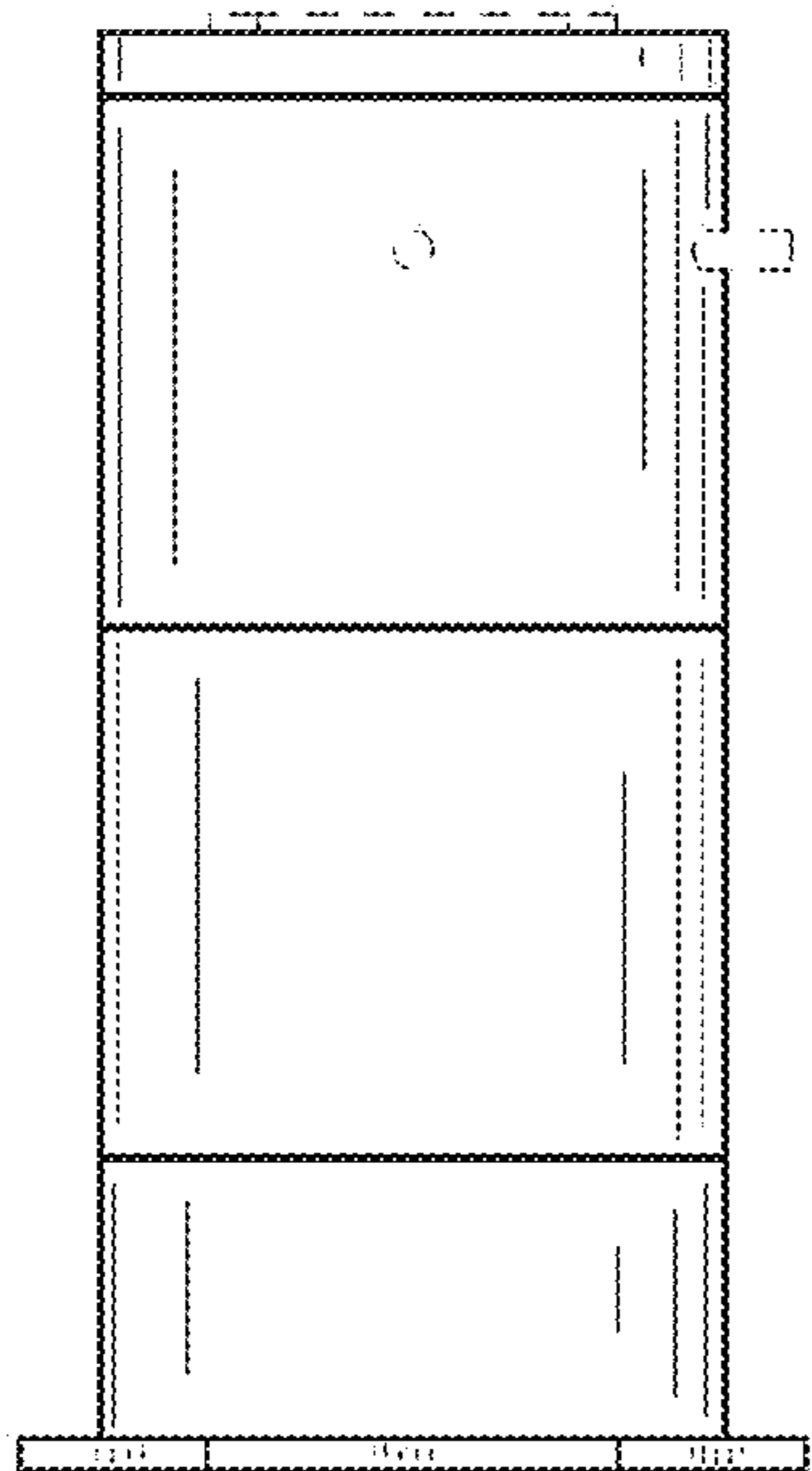


FIG. 18

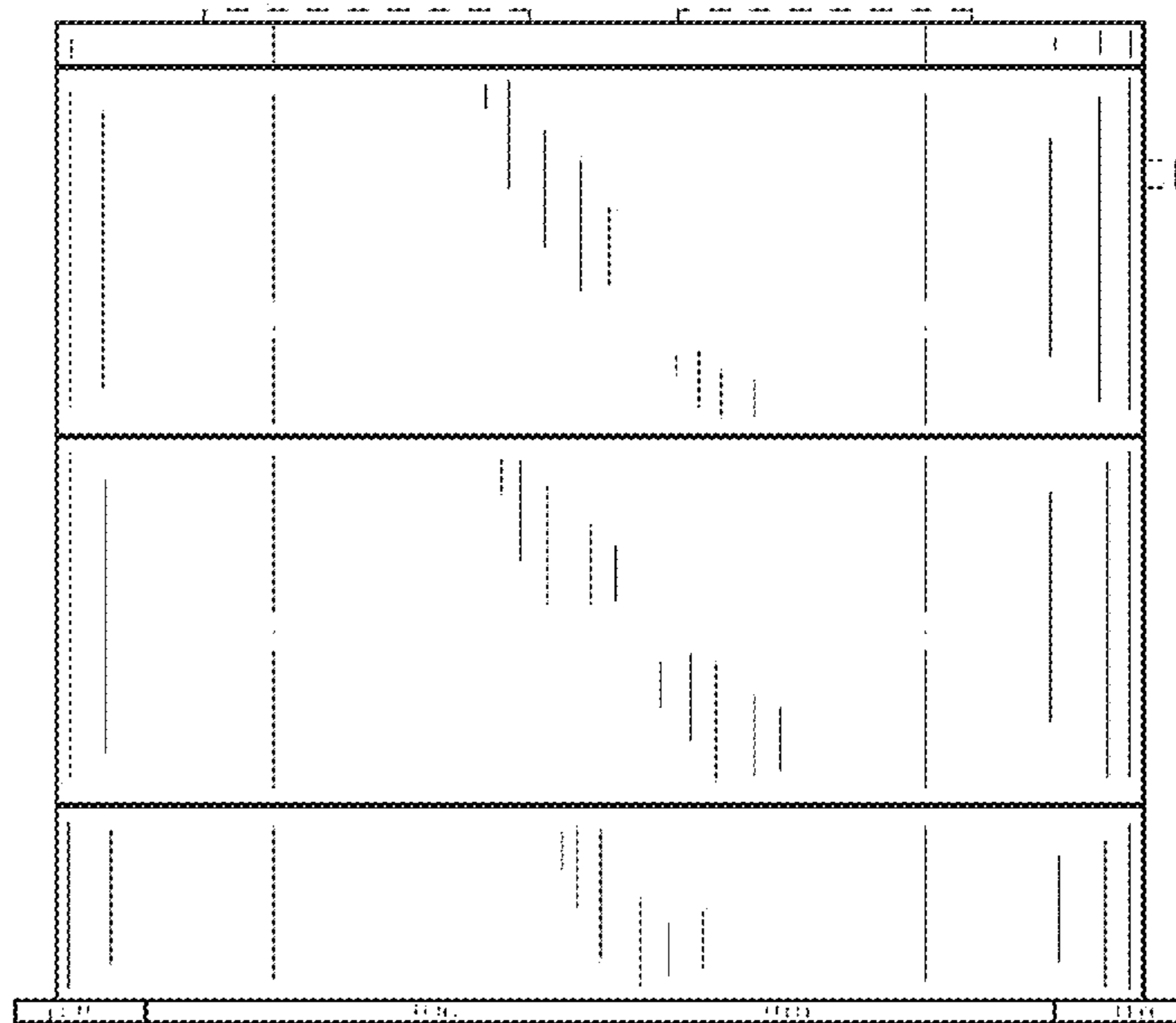


FIG. 19

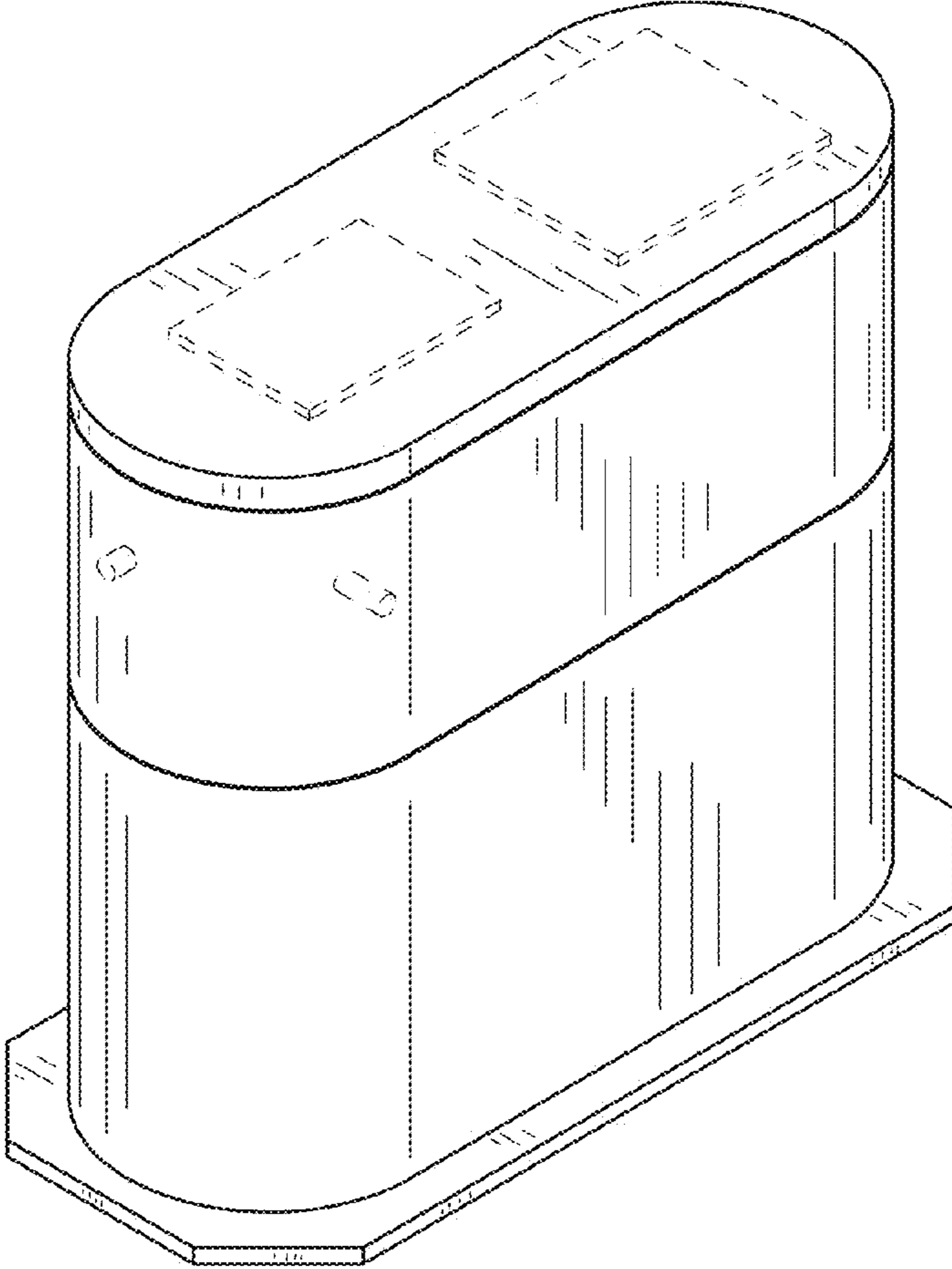


FIG.20

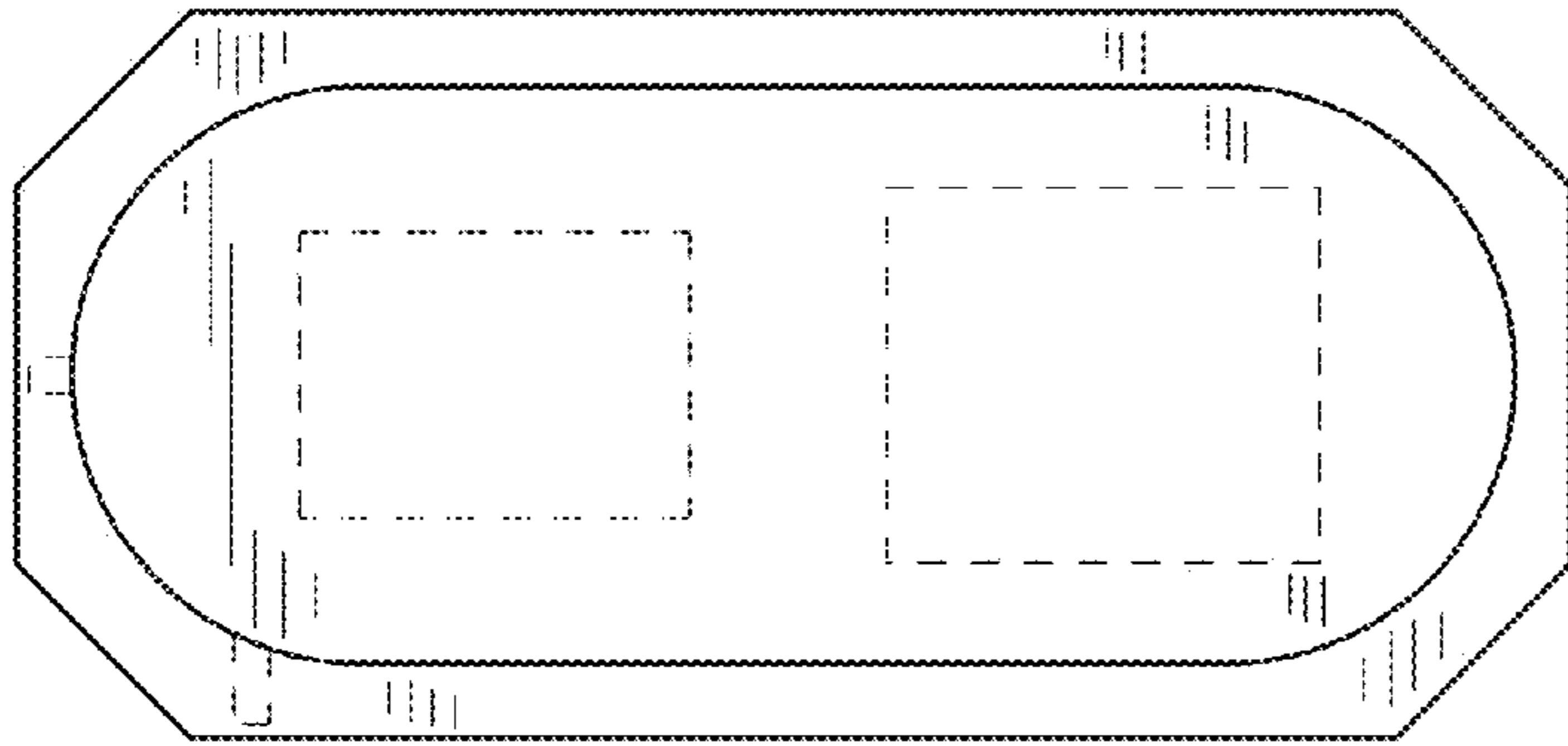


FIG. 21

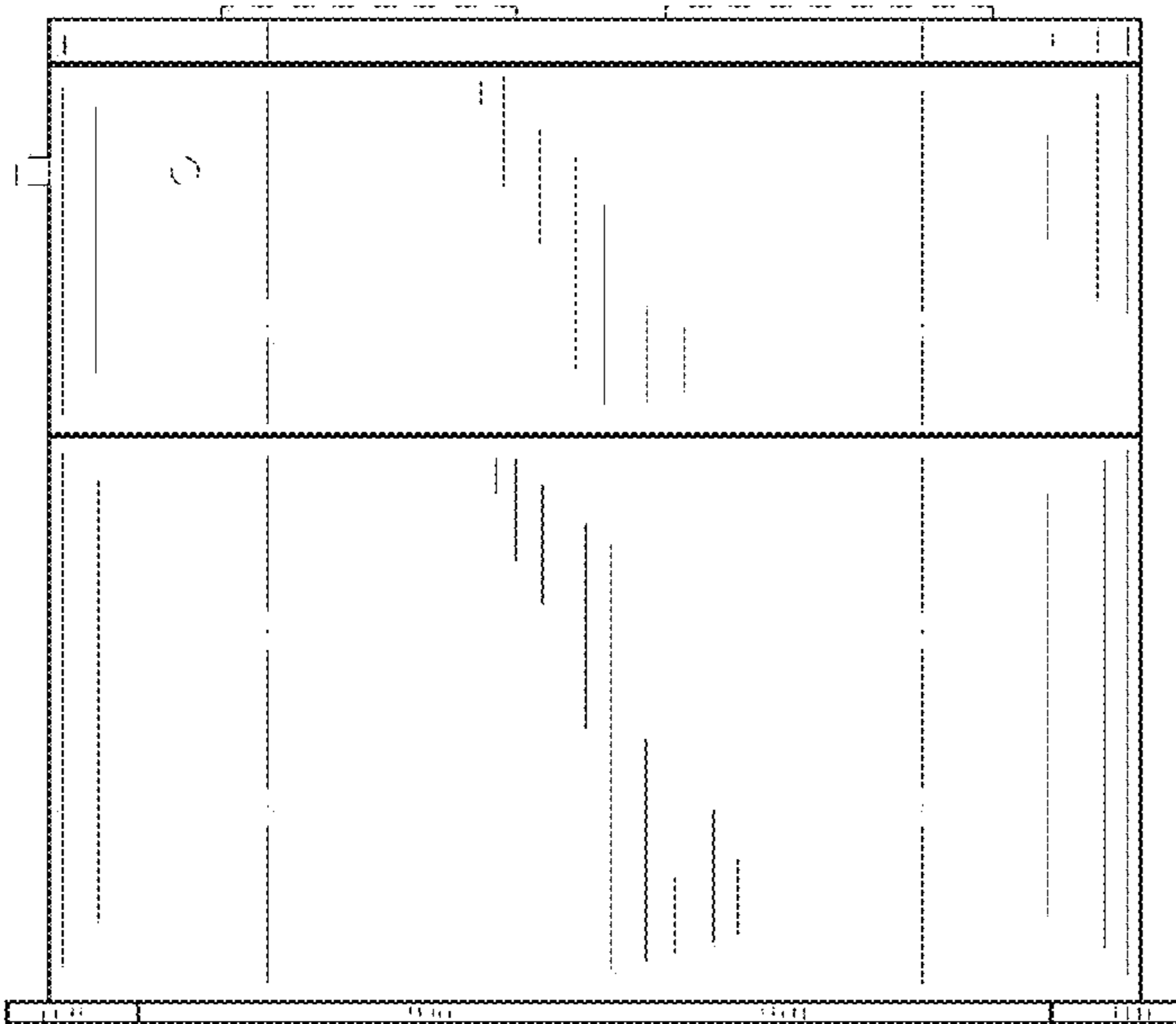


FIG. 22

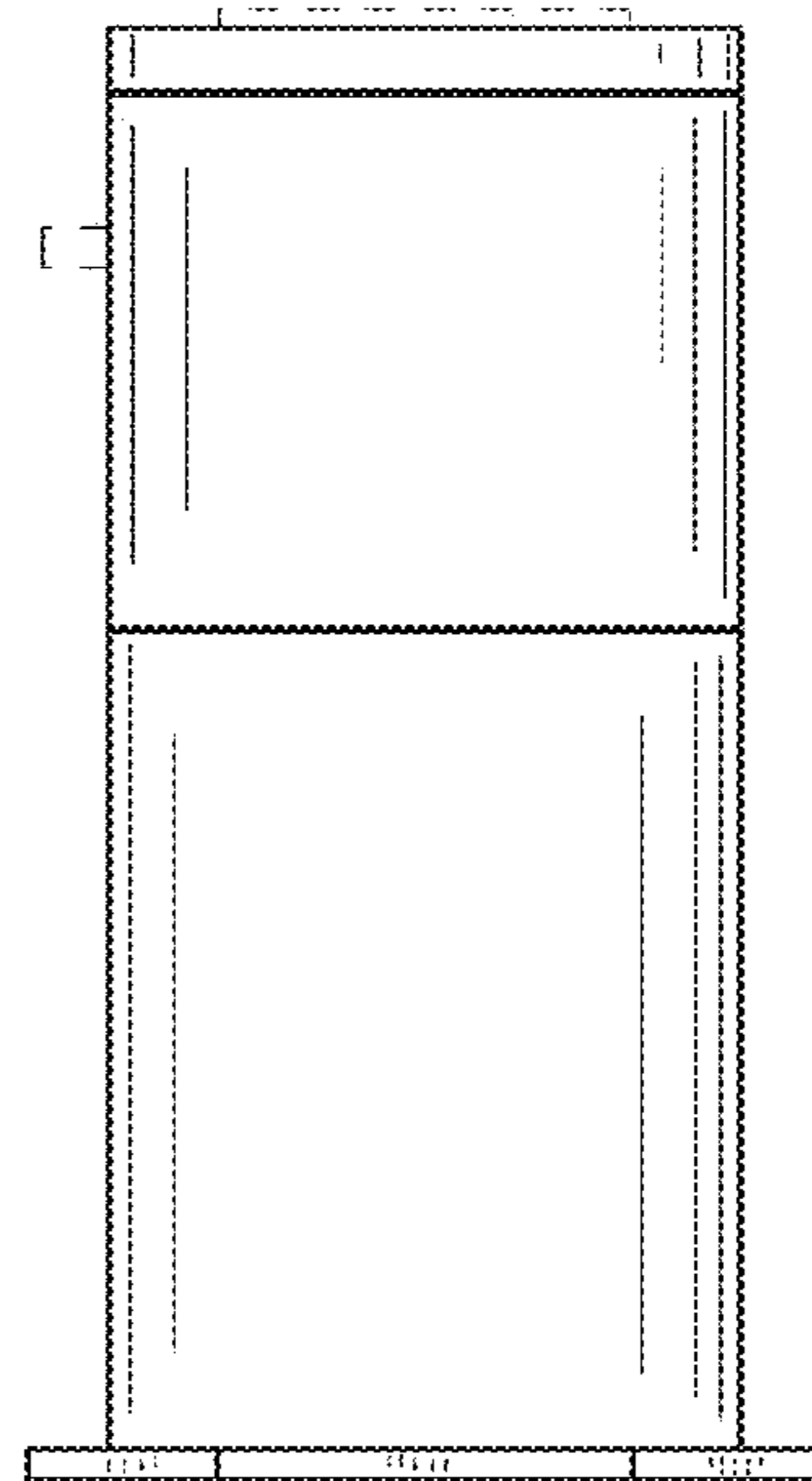


FIG. 23

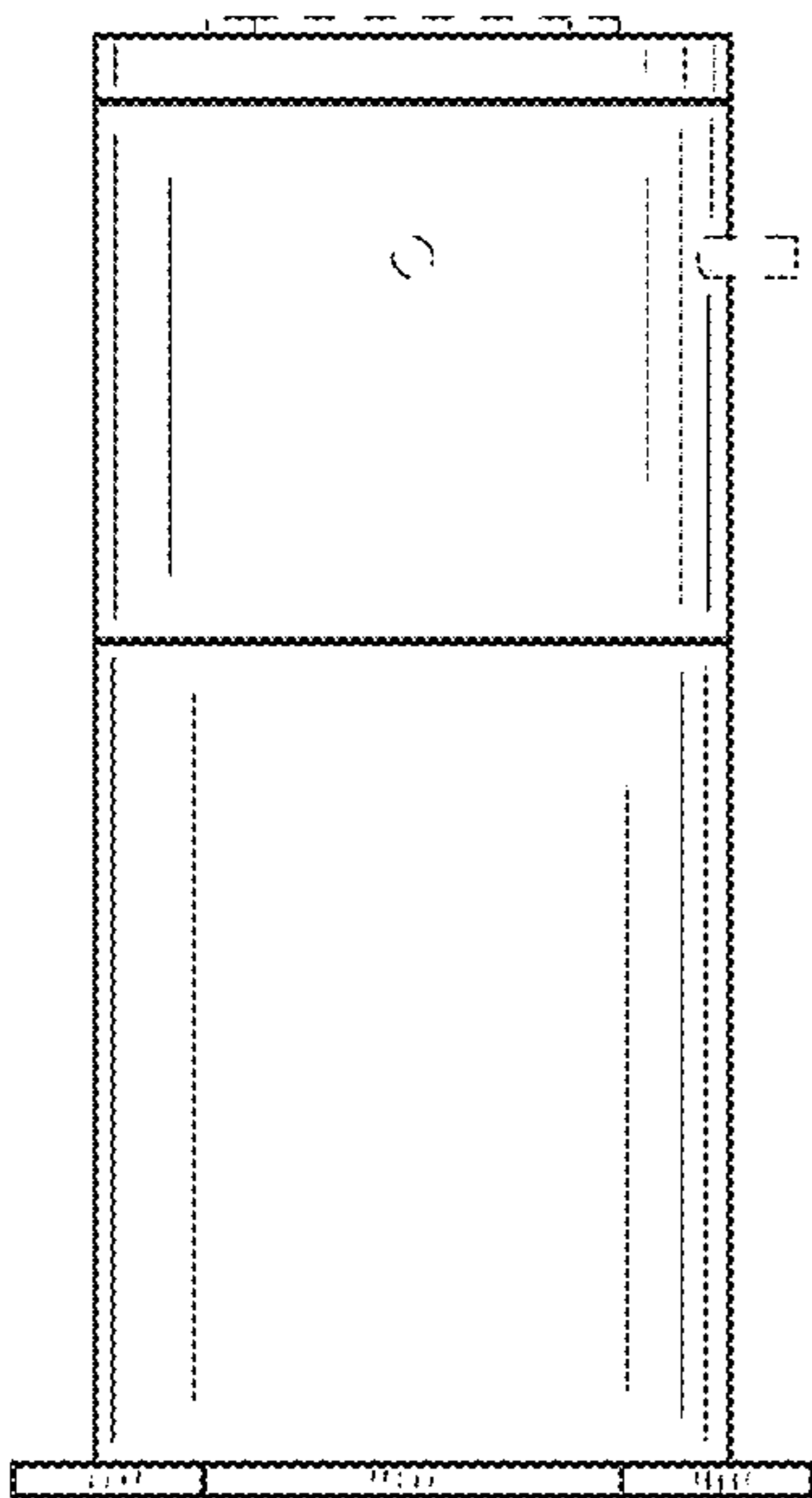


FIG. 24

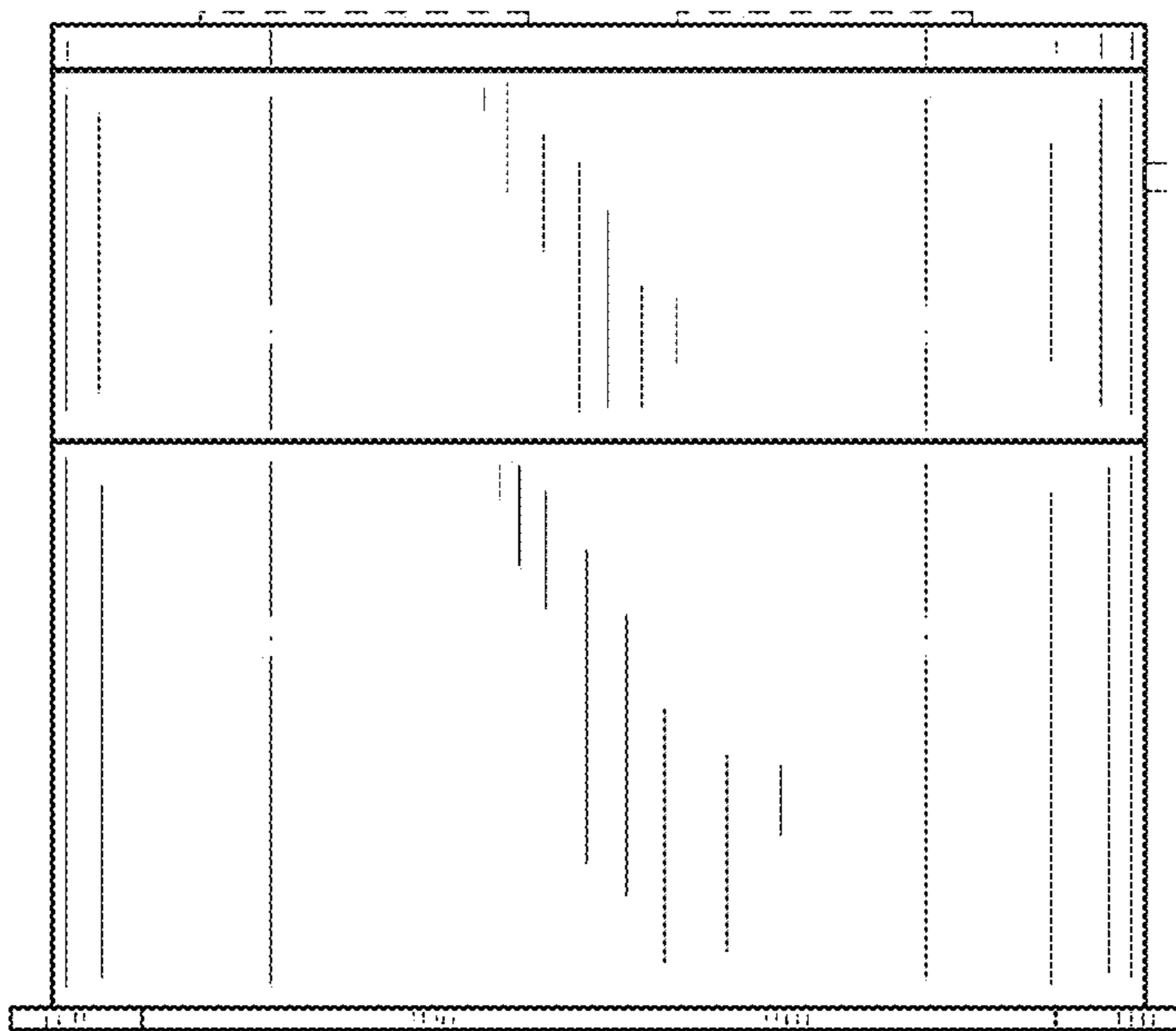


FIG. 25