



US00D736832S

(12) **United States Design Patent**
Sarder et al.

(10) **Patent No.:** **US D736,832 S**
(45) **Date of Patent:** **** Aug. 18, 2015**

(54) **INTERNAL COMBUSTION ENGINE**

(71) Applicant: **Champion Engine Technology, LLC**,
Sussex, WI (US)

(72) Inventors: **Mark J. Sarder**, Waukesha, WI (US);
Russell J. Dopke, Elkhart Lake, WI
(US); **Aleko D. Sotiriades**, Cedarburg,
WI (US)

(73) Assignee: **Champion Engine Technology, LLC**,
Sussex, WI (US)

(**) Term: **14 Years**

(21) Appl. No.: **29/490,105**

(22) Filed: **May 6, 2014**

(51) **LOC (10) Cl.** **15-01**

(52) **U.S. Cl.**
USPC **D15/1**

(58) **Field of Classification Search**
USPC D15/1, 2, 3, 5, 6, 14, 17, 149; 123/22,
123/41.34, 51 A, 606 R, 52.1, 50 A, 50 B,
123/54.1, 54.2, 54.4, 54.5, 65 R, 195 R,
123/195 HC, 657, 311

See application file for complete search history.

(56) **References Cited**

U.S. PATENT DOCUMENTS

2,700,377 A	1/1955	Chesnutt
4,159,011 A	6/1979	Sperry
4,601,267 A	7/1986	Kronich
4,762,098 A	8/1988	Tamba et al.
4,905,636 A	3/1990	Kronich
5,058,542 A	10/1991	Grayson et al.
5,404,856 A	4/1995	Servati
5,564,374 A	10/1996	Hoffman et al.
5,598,820 A	2/1997	Sokoloski
D421,024 S	2/2000	Katoh
6,216,659 B1	4/2001	Takegami et al.
7,182,057 B2	2/2007	Sato
D572,271 S	7/2008	Maeda
7,938,099 B2	5/2011	Abe et al.

8,402,937 B2	3/2013	Mamy et al.
D704,740 S *	5/2014	Bellinger et al. D15/1
D710,899 S *	8/2014	Kuehner et al. D15/1
2001/0039908 A1 *	11/2001	Bilek et al. 114/55.5
2003/0168040 A1	9/2003	Takamiya et al.
2004/0231623 A1 *	11/2004	El Tahry et al. 123/90.15
2009/0095261 A1	4/2009	Kono et al.
2013/0133597 A1	5/2013	Shimazaki et al.

OTHER PUBLICATIONS

Honda GXV630, GXV660, GXV690 Engine Assembly Information,
Honda Motor Co., Ltd., 2010.

* cited by examiner

Primary Examiner — T. Chase Nelson

Assistant Examiner — Ania Aman

(74) *Attorney, Agent, or Firm* — Ziolkowski Patent
Solutions Group, SC

(57) **CLAIM**

The ornamental design of an internal combustion engine, as
shown and described.

DESCRIPTION

FIG. 1 is a left front perspective view of an internal combustion
engine according to the new design of the present inven-
tion.

FIG. 2 is a front view of the internal combustion engine of
FIG. 1.

FIG. 3 is a top view of the internal combustion engine of FIG.
1.

FIG. 4 is a bottom view of the internal combustion engine of
FIG. 1.

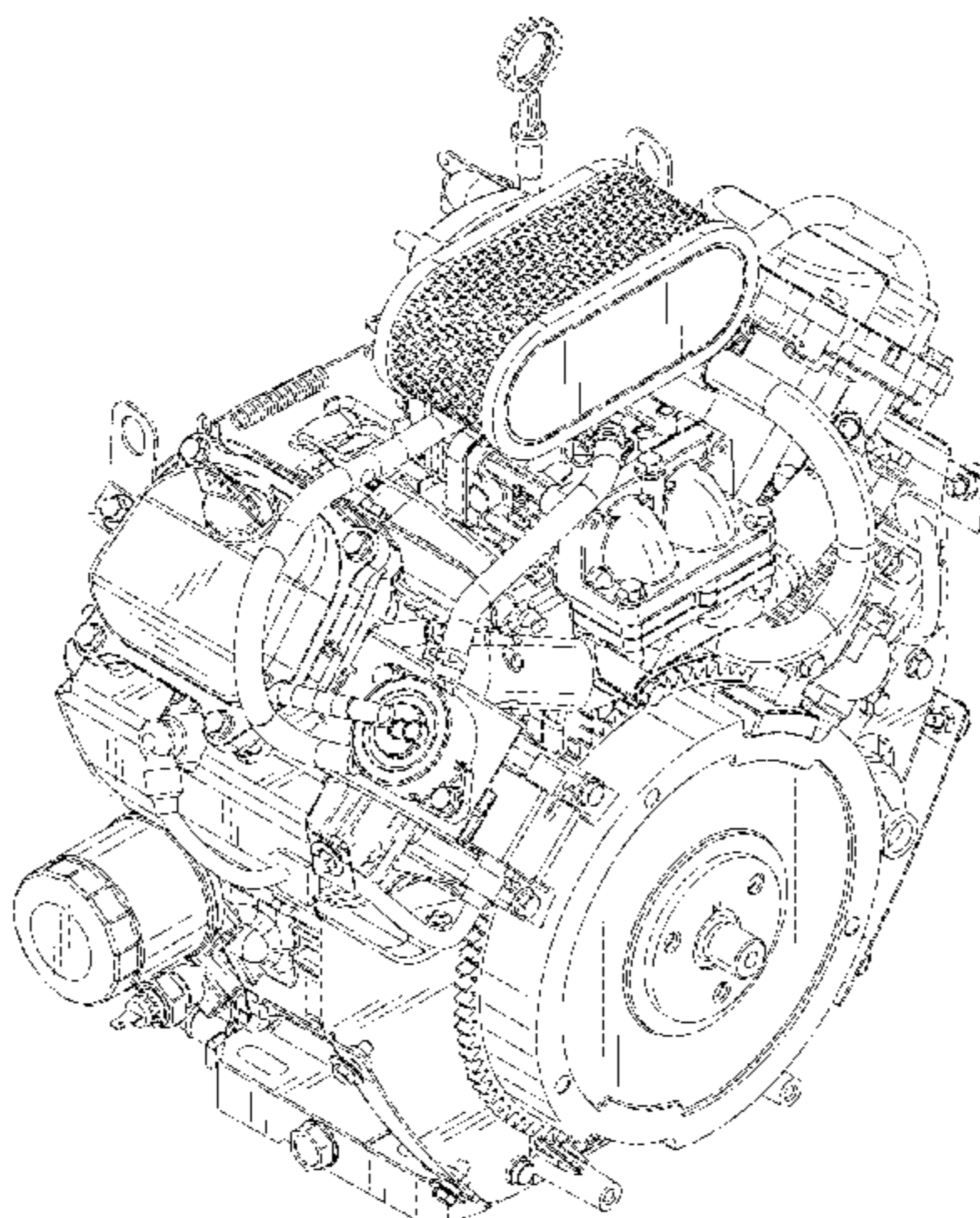
FIG. 5 is a left side view of the internal combustion engine of
FIG. 1.

FIG. 6 is a right side view of the internal combustion engine
of FIG. 1; and,

FIG. 7 is a rear view of the internal combustion engine of FIG.
1.

The broken lines in the drawing views are included for the
purpose of illustrating portions of the internal combustion
engine that form no part of the claimed design.

1 Claim, 6 Drawing Sheets



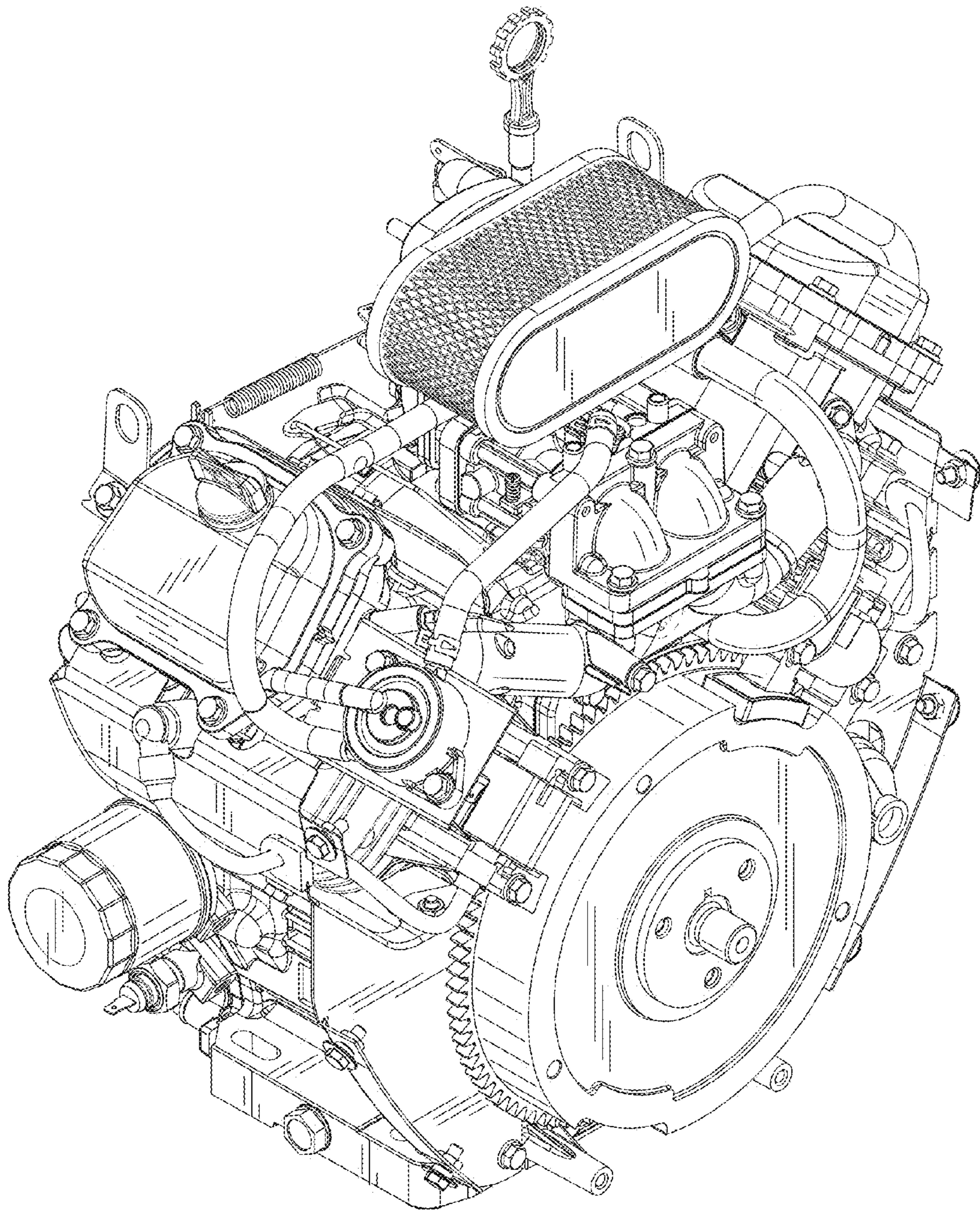


FIG. 1

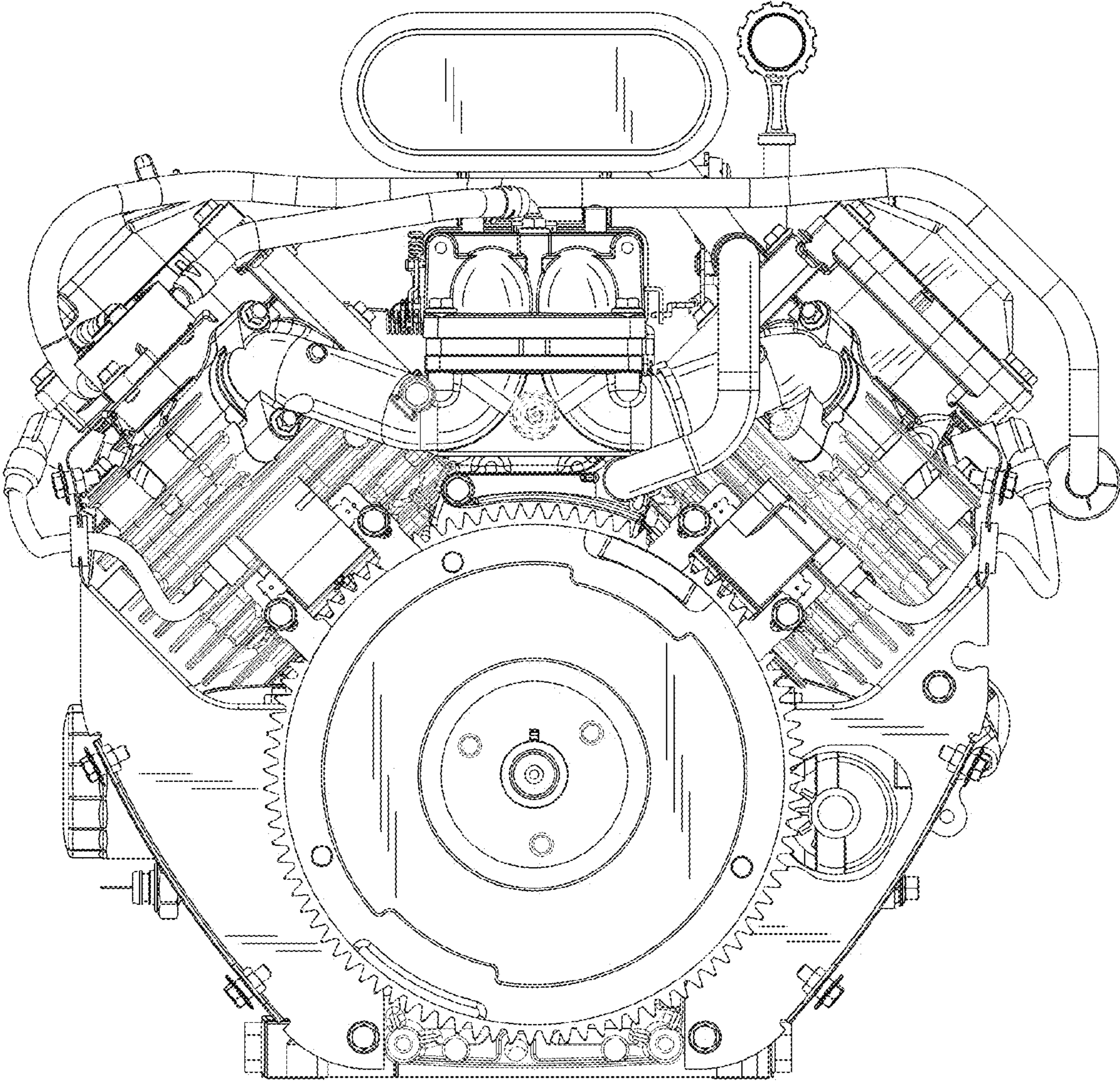


FIG. 2

FIG. 3

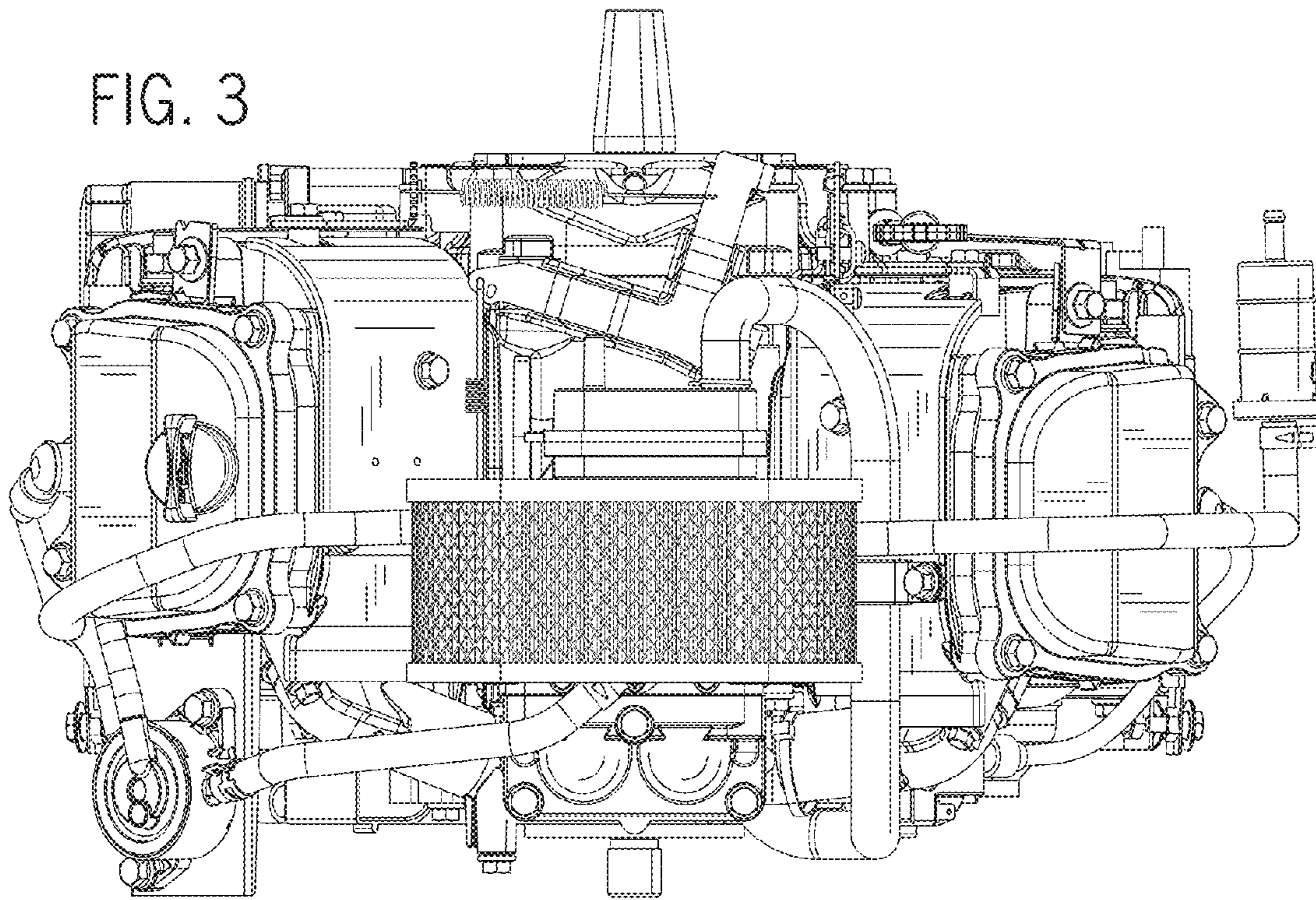
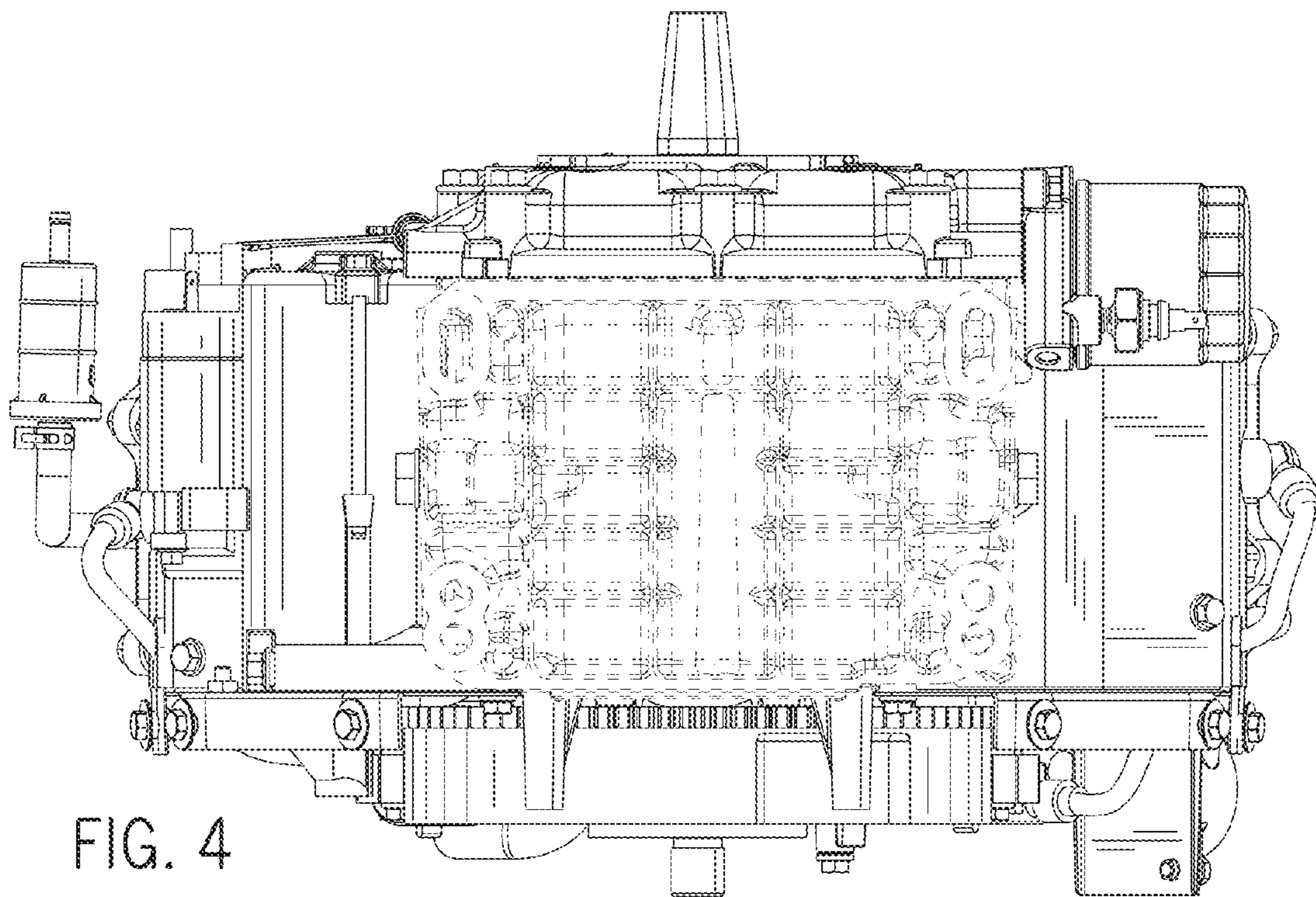


FIG. 4



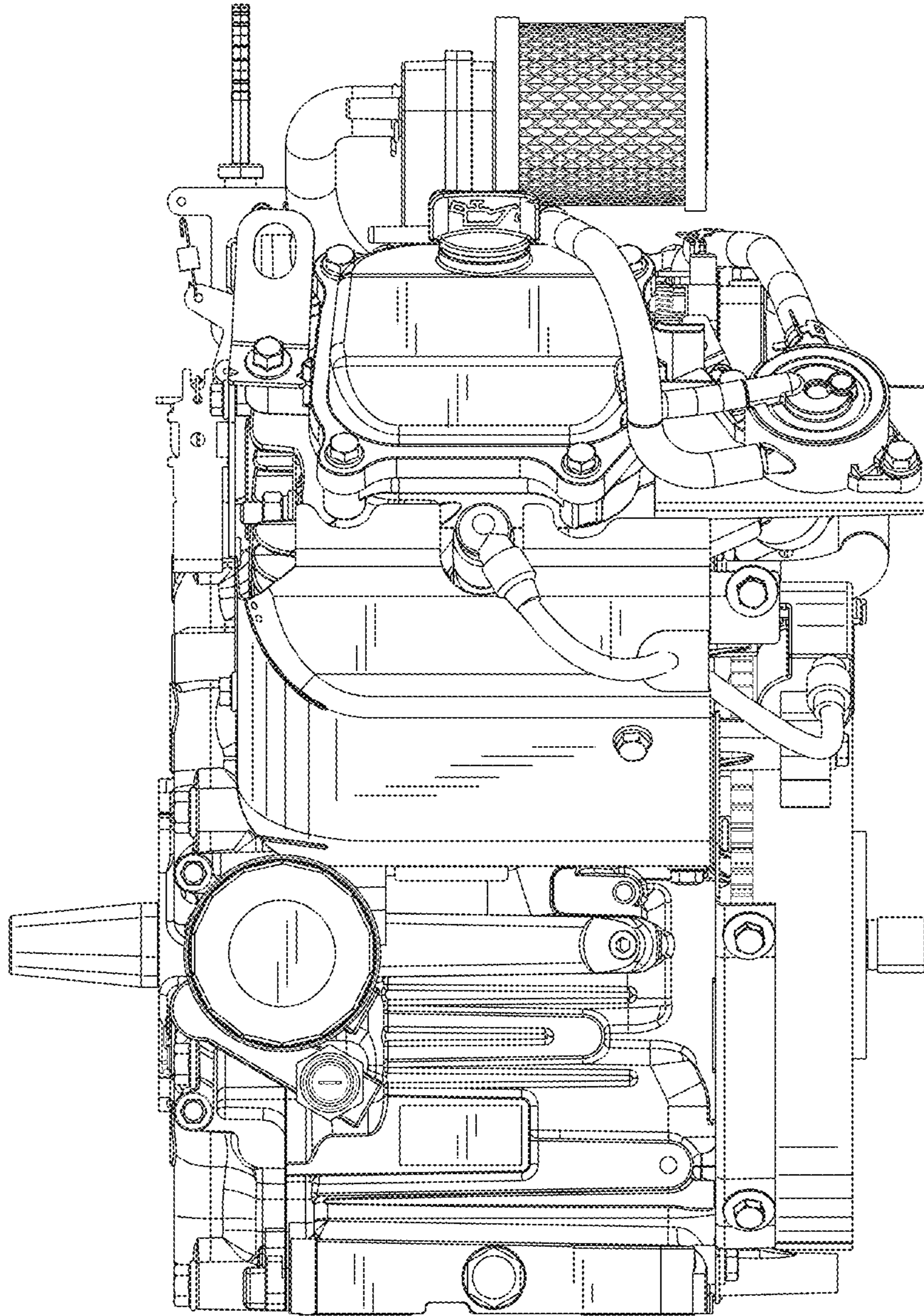


FIG. 5

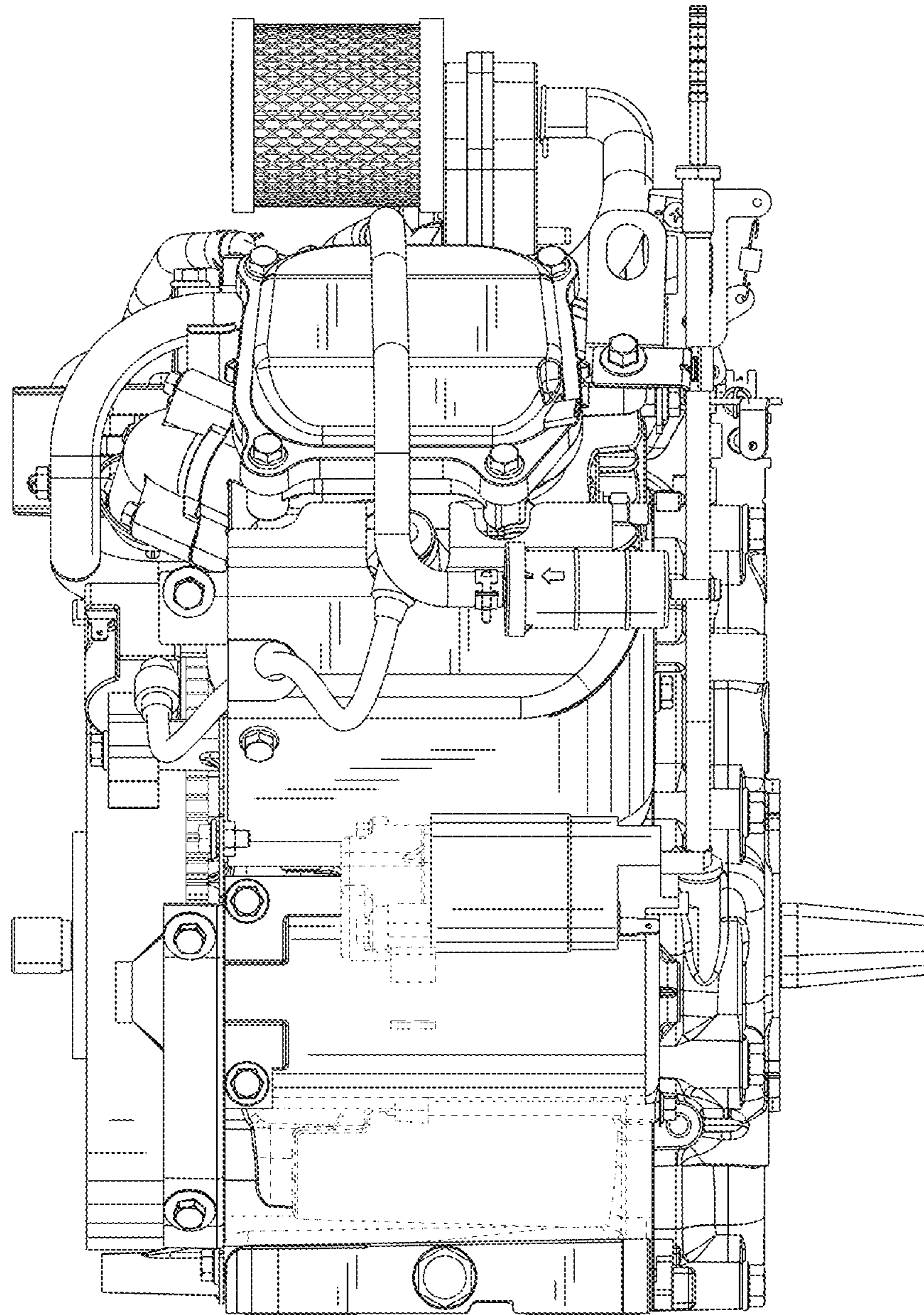


FIG. 6

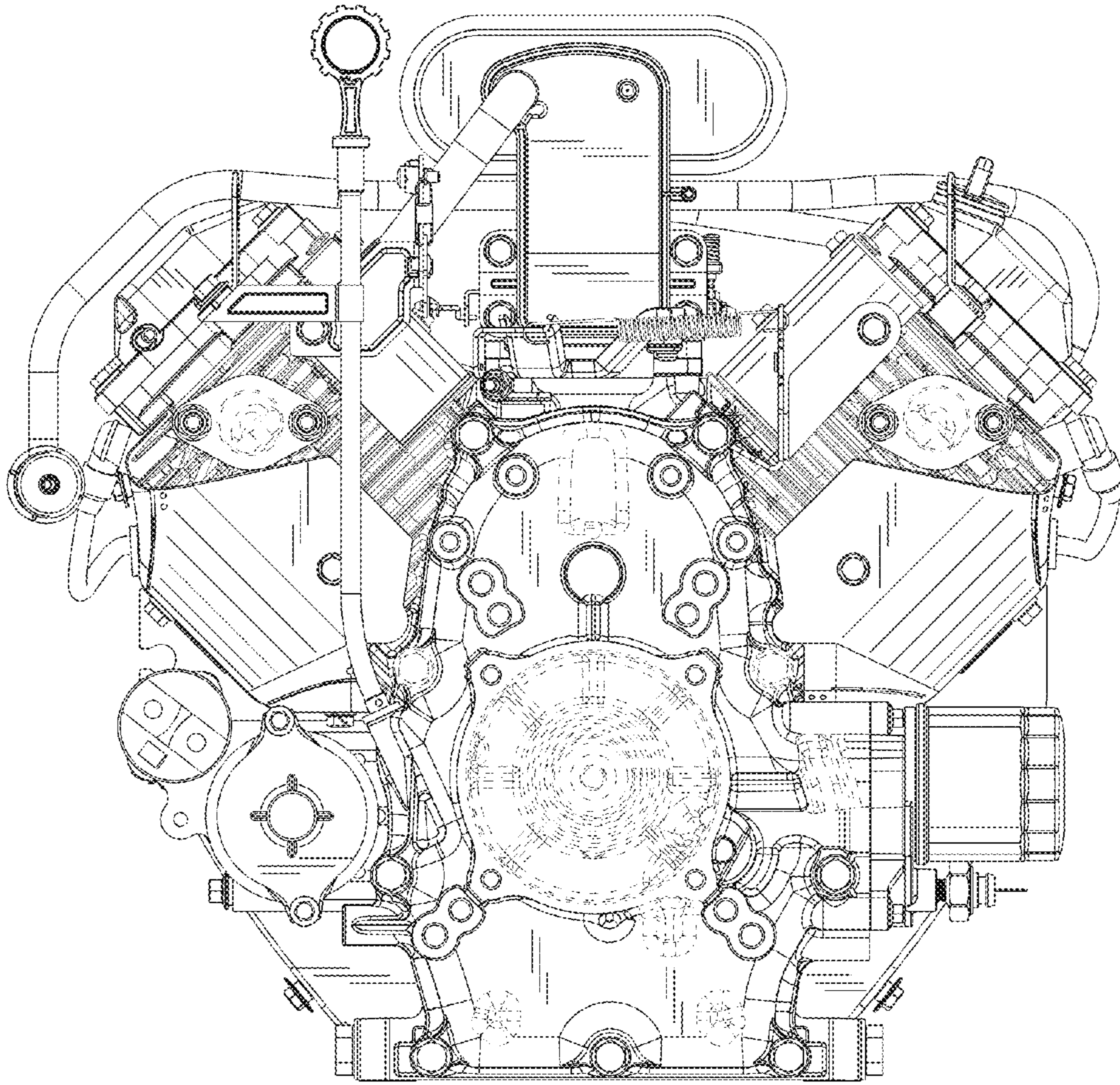


FIG. 7