



US00D736827S

(12) **United States Design Patent**
Omiya

(10) **Patent No.:** **US D736,827 S**

(45) **Date of Patent:** **** Aug. 18, 2015**

(54) **DISPLAY SCREEN WITH GRAPHICAL USER INTERFACE**

D695,777 S * 12/2013 Edwards et al. D14/488
D701,240 S * 3/2014 Campiranon et al. D14/489
D727,339 S * 4/2015 Lee D14/486

(71) Applicant: **P&W Solutions Co., Ltd.**,
Shinagawa-ku, Tokyo (JP)

* cited by examiner

(72) Inventor: **Toshiyuki Omiya**, Tokyo (JP)

Primary Examiner — Karen E Kearney

(73) Assignee: **P&W SOLUTIONS CO., LTD.**, Tokyo
(JP)

Assistant Examiner — John Reickel

(74) *Attorney, Agent, or Firm* — Arent Fox LLP

(**) Term: **14 Years**

(57) **CLAIM**

The ornamental design for a display screen with graphical user interface, as shown and described.

(21) Appl. No.: **29/459,282**

(22) Filed: **Jun. 27, 2013**

DESCRIPTION

(30) **Foreign Application Priority Data**

Dec. 28, 2012 (JP) 2012-032170

(51) **LOC (10) Cl.** **14-04**

(52) **U.S. Cl.**
USPC **D14/489**; D14/488

(58) **Field of Classification Search**
USPC D14/485–495
CPC G06F 3/0482; G06F 3/04842; G06F
3/04817; G06F 3/048

See application file for complete search history.

FIG. 1 is a front view of a first usage state in a sequence for a display screen with graphical user interface;
FIG. 2 is a front view of a second usage state in a sequence for a display screen with graphical user interface;
FIG. 3 is a top view of a display screen with graphical user interface, the bottom view being a mirror image thereof;
FIG. 4 is a right side view of a display screen with graphical user interface;
FIG. 5 is a left side view of a display screen with graphical user interface; and,
FIG. 6 is a back view of a display screen with graphical user interface.

The display screen illustrated with broken lines in the drawings forms no part of the claimed design.
The portions of the graphical user interface illustrated with broken lines in the drawings form no part of the claimed design.

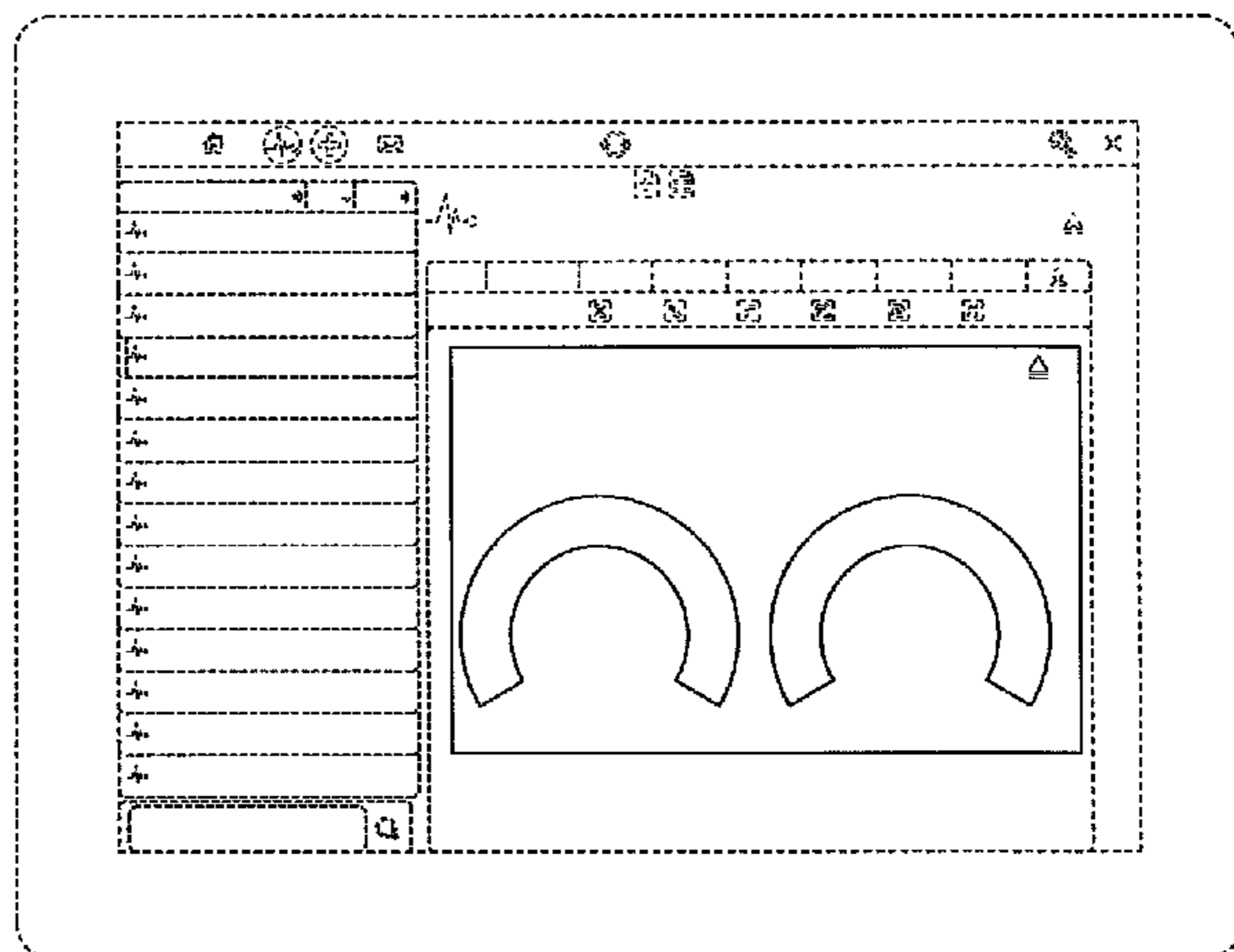
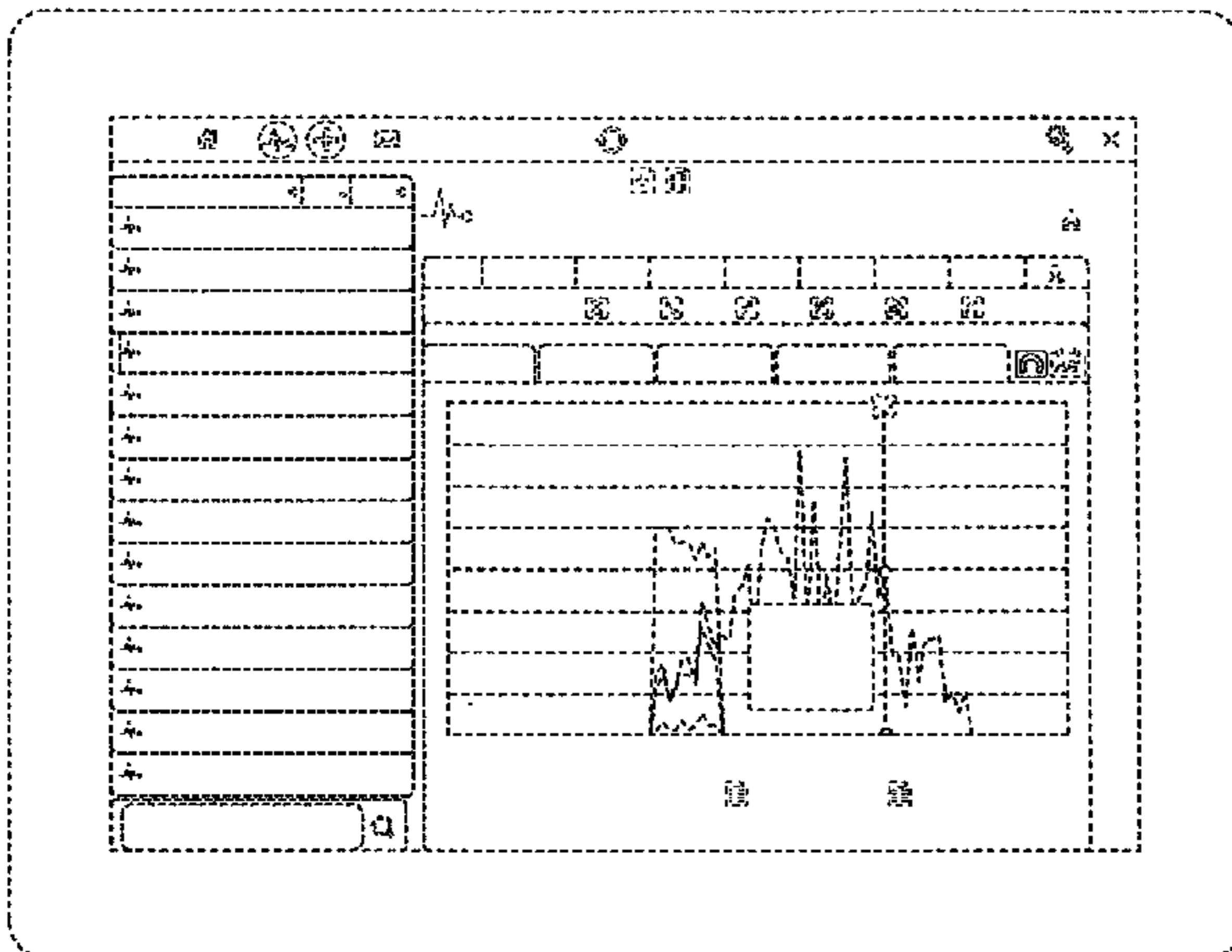
The appearance of the transitional image sequentially transitions between the images shown in FIG. 1-2. The process or period in which one image transitions to another image forms no part of the claimed design.

(56) **References Cited**

U.S. PATENT DOCUMENTS

D385,545 S * 10/1997 Levin D14/489
D562,342 S * 2/2008 Cameron D14/487
7,827,507 B2 * 11/2010 Geise et al. 715/850
D688,690 S * 8/2013 Garn et al. D14/488
D689,078 S * 9/2013 Montgomery et al. D14/486
D689,082 S * 9/2013 Stiffler D14/486
D689,084 S * 9/2013 Pasceri et al. D14/486

1 Claim, 6 Drawing Sheets



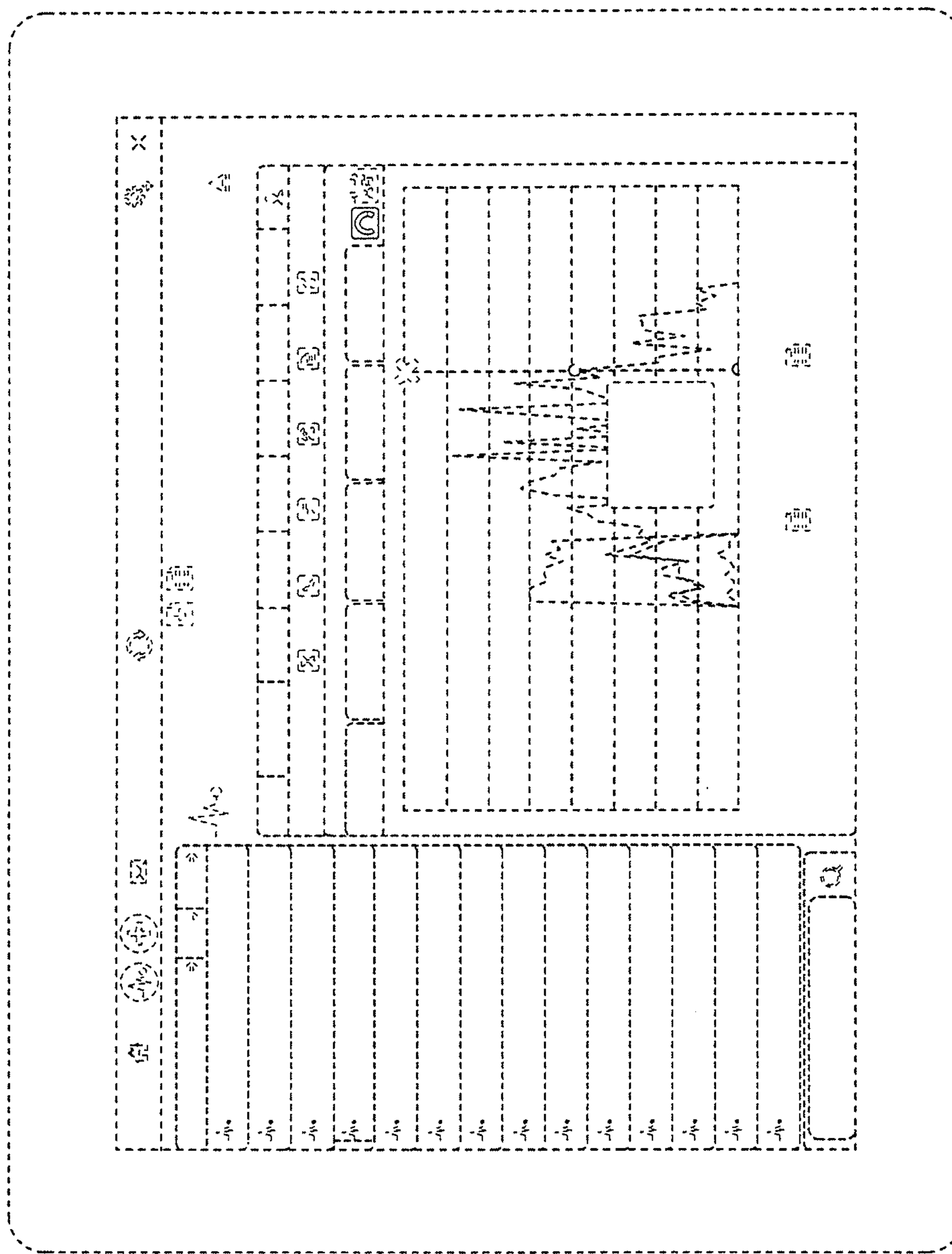


FIG. 1

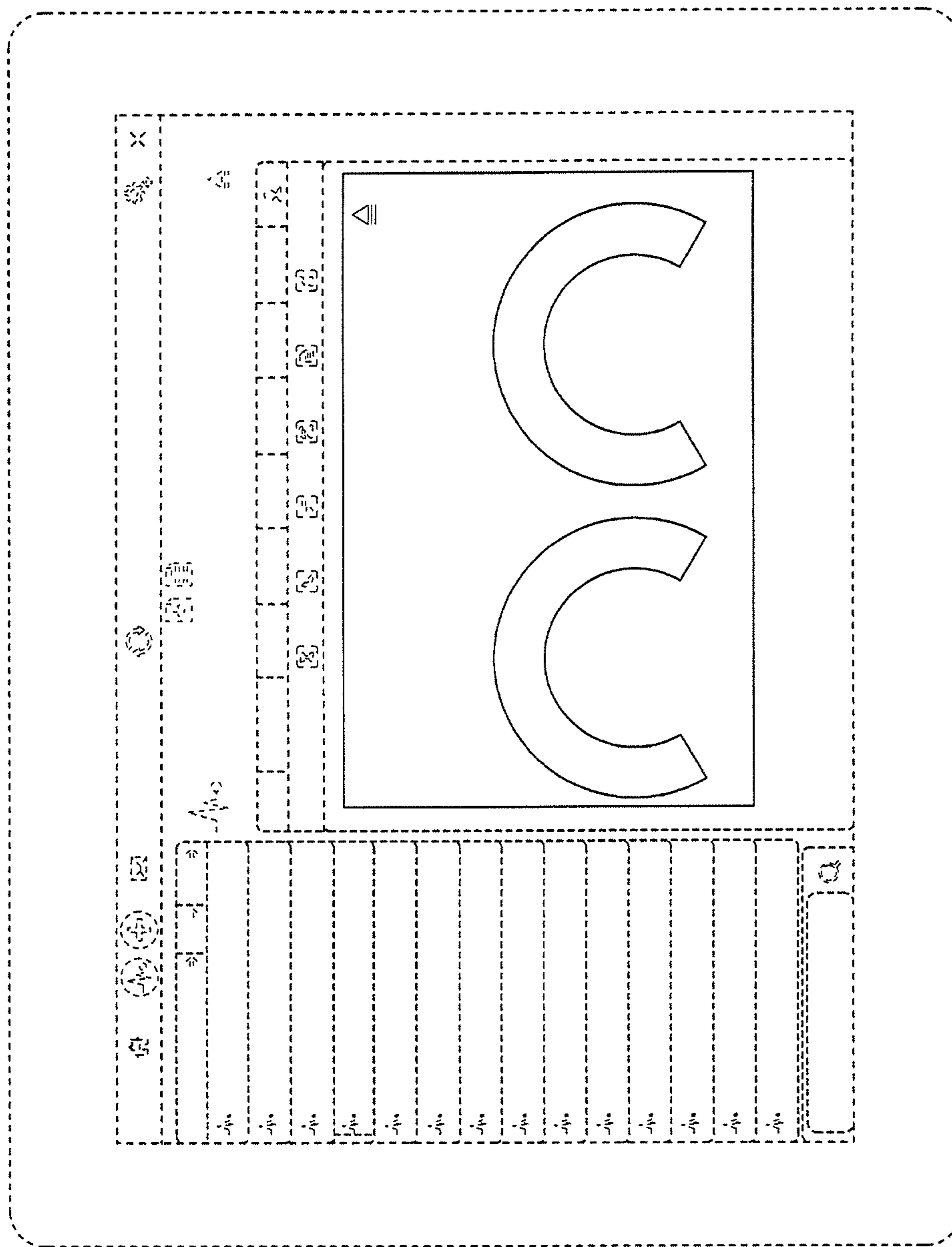


FIG. 2

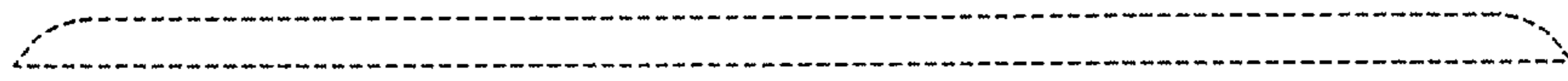


FIG. 3

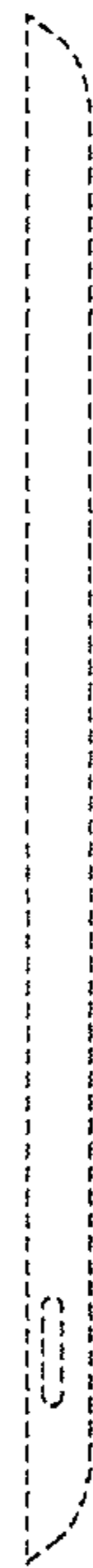


FIG. 4

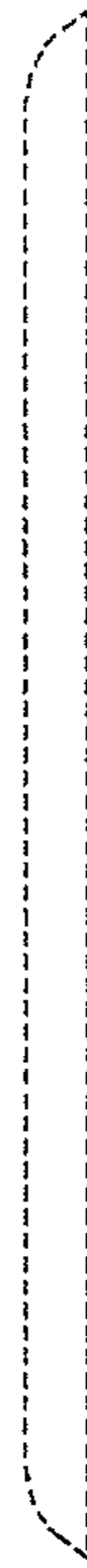


FIG. 5

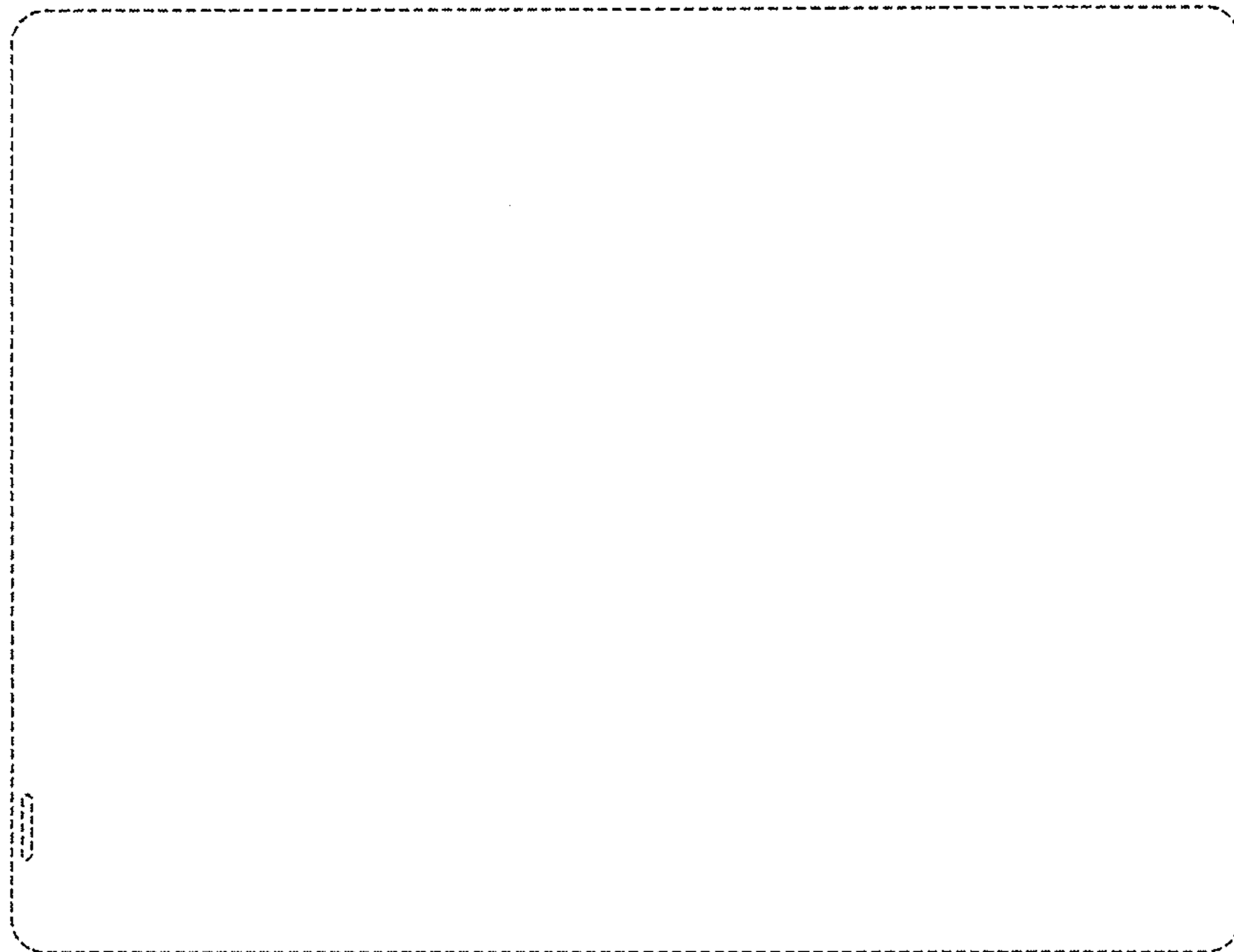


FIG. 6