



US00D736819S

(12) **United States Design Patent**  
**Kang**

(10) **Patent No.:** **US D736,819 S**

(45) **Date of Patent:** **\*\* Aug. 18, 2015**

(54) **ELECTRONIC DEVICE WITH A  
TRANSITIONAL GRAPHICAL USER  
INTERFACE**

(71) Applicant: **Samsung Electronics Co., Ltd.,**  
Suwon-Si, Gyeonggi-Do (KR)

(72) Inventor: **Kyung-A Kang,** Seoul (KR)

(73) Assignee: **Samsung Electronics Co., Ltd.,**  
Gyeonggi-do (KR)

(\*\*) Term: **14 Years**

(21) Appl. No.: **29/433,880**

(22) Filed: **Oct. 5, 2012**

(51) **LOC (10) Cl.** ..... **14-04**

(52) **U.S. Cl.**  
USPC ..... **D14/488**

(58) **Field of Classification Search**  
USPC ..... D14/485-95; D18/24-33; D19/6, 52;  
D20/11; D21/324-33; 715/700-867,  
715/973-77; D6/575, 578  
CPC ..... G06F 3/048-3/04897  
See application file for complete search history.

(56) **References Cited**

**U.S. PATENT DOCUMENTS**

5,796,402	A *	8/1998	Ellison-Taylor	715/792
6,310,631	B1 *	10/2001	Cecco et al.	715/792
7,984,376	B2 *	7/2011	Yamabuchi et al.	715/273
D678,313	S *	3/2013	Howes et al.	D14/486
D685,811	S *	7/2013	Shia et al.	D14/486
D691,162	S *	10/2013	Sato et al.	D14/486
D691,622	S *	10/2013	Shaffer	D14/486
D692,445	S *	10/2013	Stovicek et al.	D14/486
D692,456	S *	10/2013	Brinda et al.	D14/488
D695,303	S *	12/2013	Stovicek et al.	D14/486
D695,755	S *	12/2013	Hwang et al.	D14/485
D696,679	S *	12/2013	Bae et al.	D14/486

D697,079	S *	1/2014	Yuk et al.	D14/488
D697,931	S *	1/2014	Lee et al.	D14/486
D697,932	S *	1/2014	Lee et al.	D14/486
D698,801	S *	2/2014	Jung	D14/486
D701,232	S *	3/2014	Na et al.	D14/486
D709,518	S *	7/2014	Meegan et al.	D14/486
D711,416	S *	8/2014	Francisco et al.	D14/486
D717,808	S *	11/2014	Tsuru et al.	D14/485
D717,813	S *	11/2014	Zuckerberg et al.	D14/486
D717,814	S *	11/2014	Zuckerberg et al.	D14/486
D717,815	S *	11/2014	Zuckerberg et al.	D14/486
D718,320	S *	11/2014	Charles et al.	D14/486
D718,777	S *	12/2014	Hobbs et al.	D14/486

\* cited by examiner

*Primary Examiner* — Melanie H Tung

(74) *Attorney, Agent, or Firm* — Harness, Dickey & Pierce

(57) **CLAIM**

I claim the ornamental design for an electronic device with a transitional graphical user interface, as shown and described.

**DESCRIPTION**

FIG. 1 is a front perspective view of a first image of an electronic device with a transitional graphical user interface; FIG. 2 is a front perspective view of a second image thereof; FIG. 3 is a front perspective view of a third image thereof; and,

FIG. 4 is a front perspective view of a fourth image thereof. The broken line showing of the electronic device and graphic features forms no part of the claimed design. The broken line showing of the electronic device is in a bent configuration in FIGS. 2-4.

The appearance of the image transitions sequentially between the images shown in FIGS. 1-4. The process or period in which an image transitions to another forms no part of the claimed design. The transitional graphical user interface is viewed from the front perspective of the electronic device shown in the drawing.

**1 Claim, 4 Drawing Sheets**

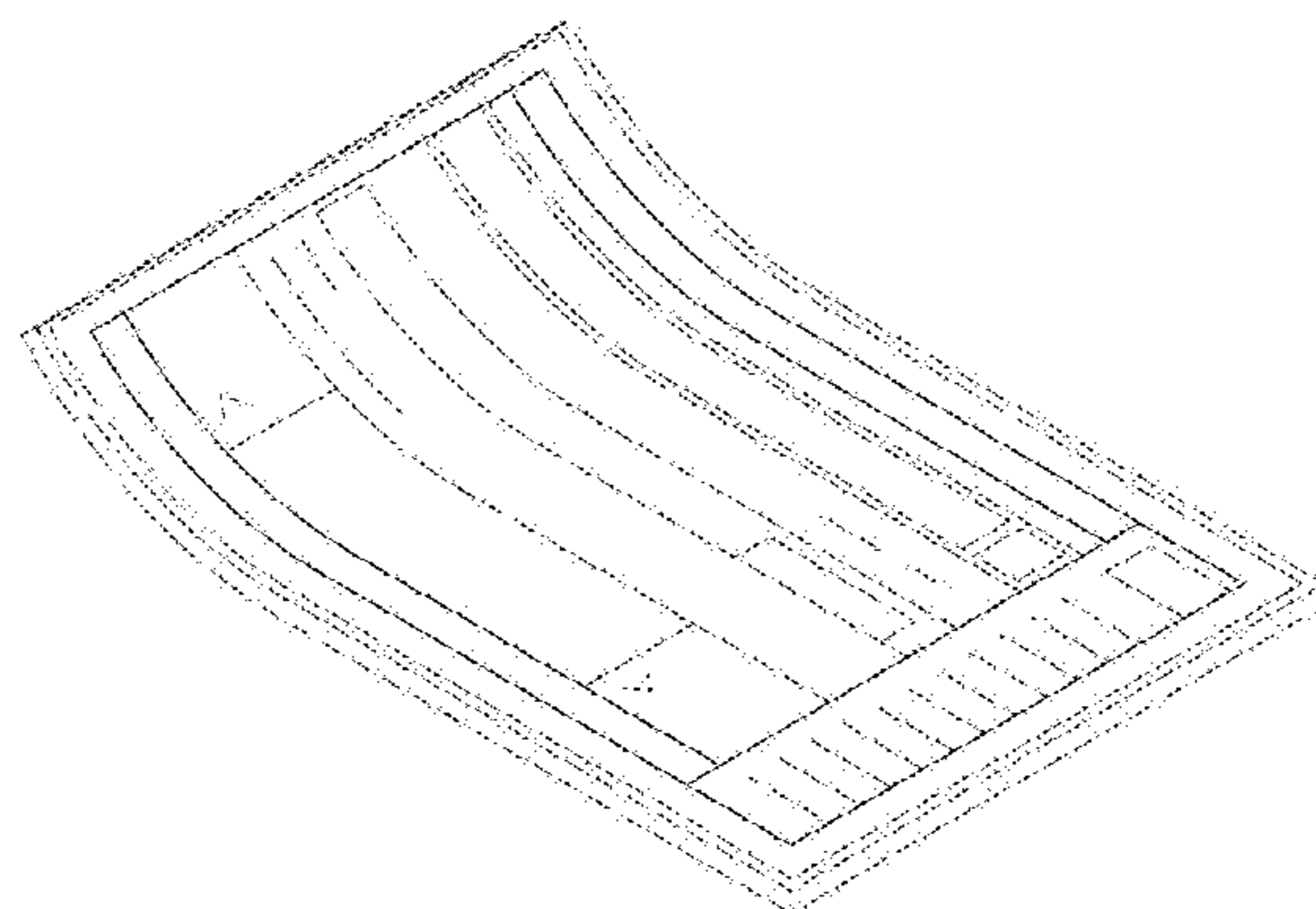
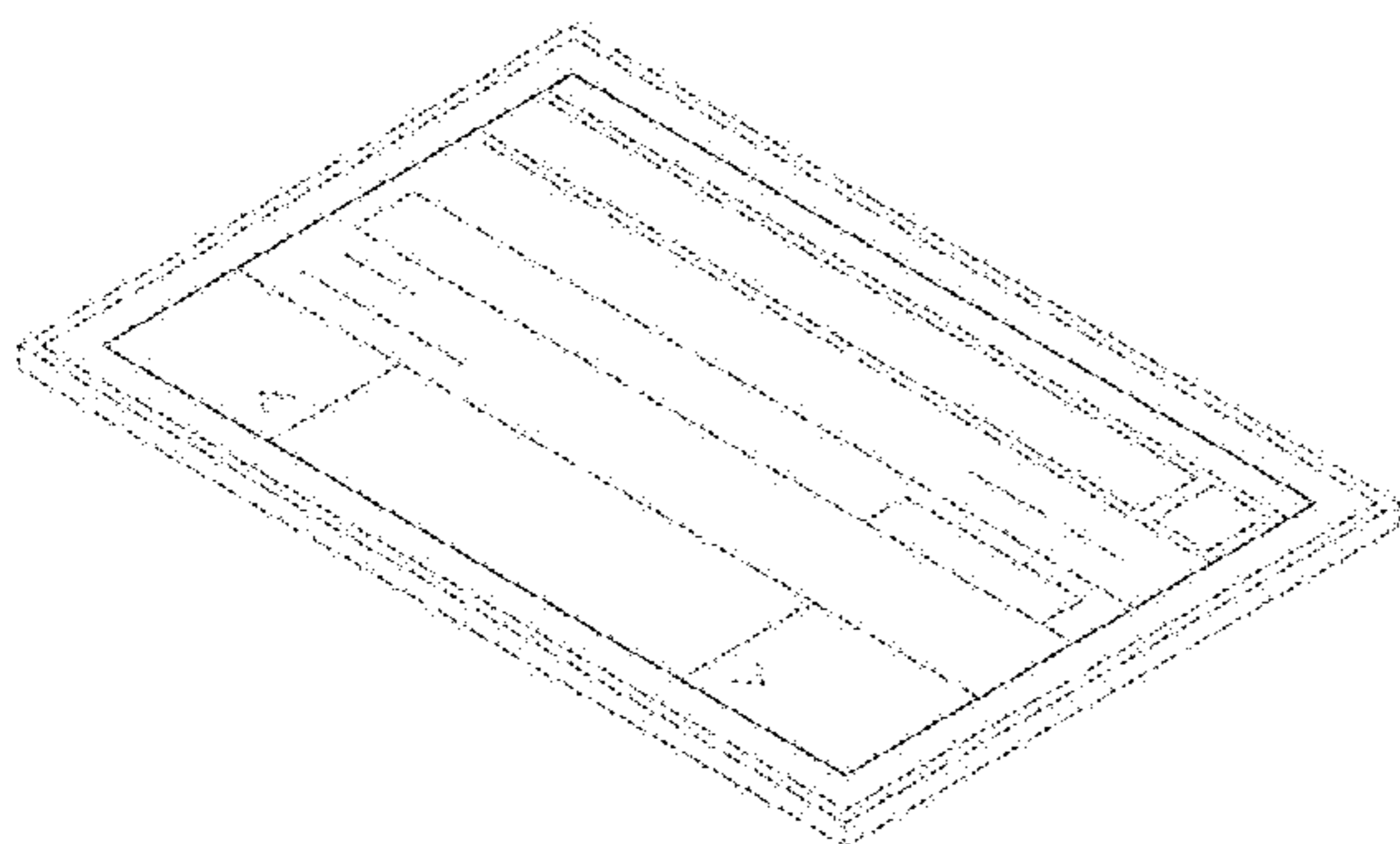


FIG. 1

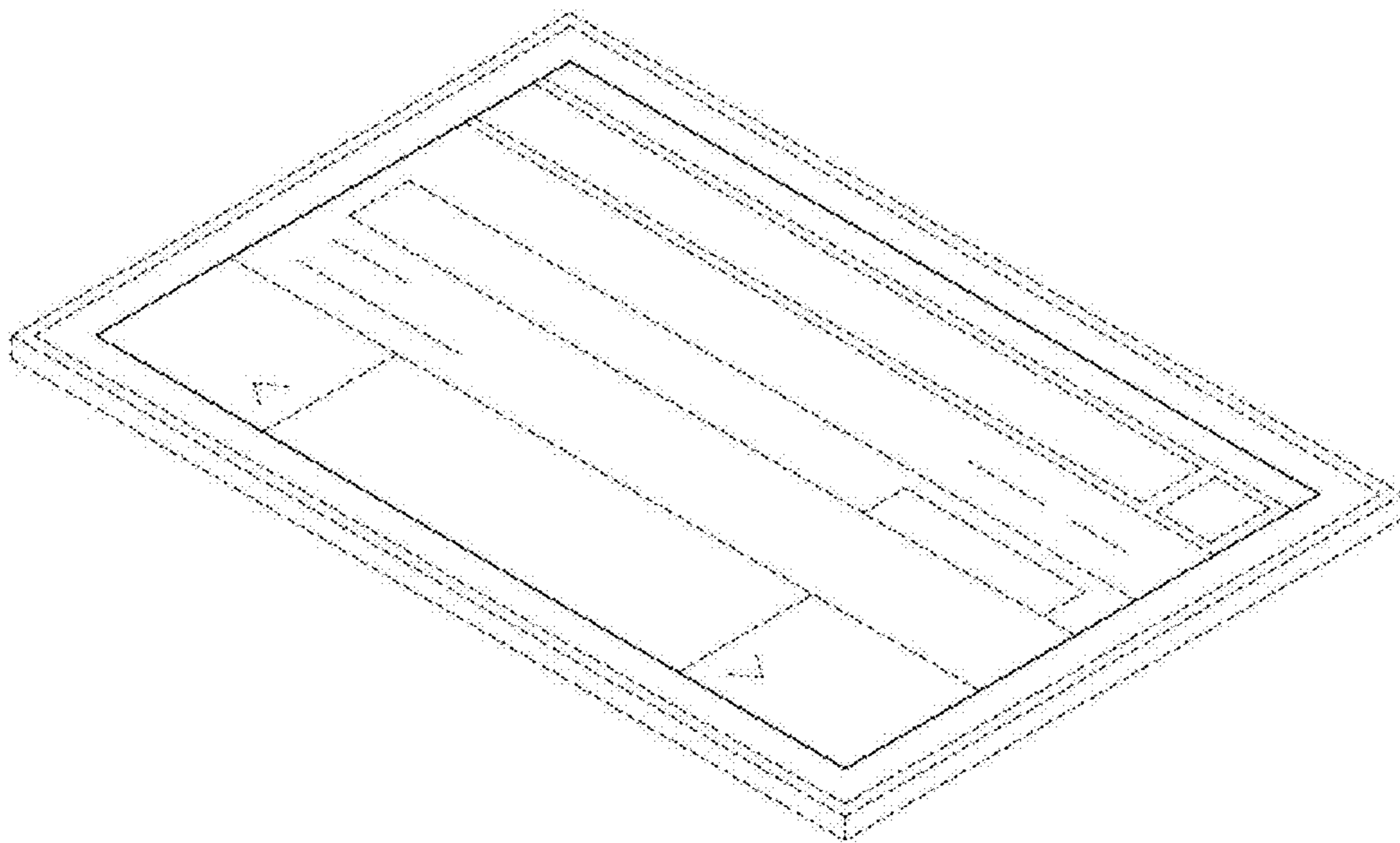


FIG. 2

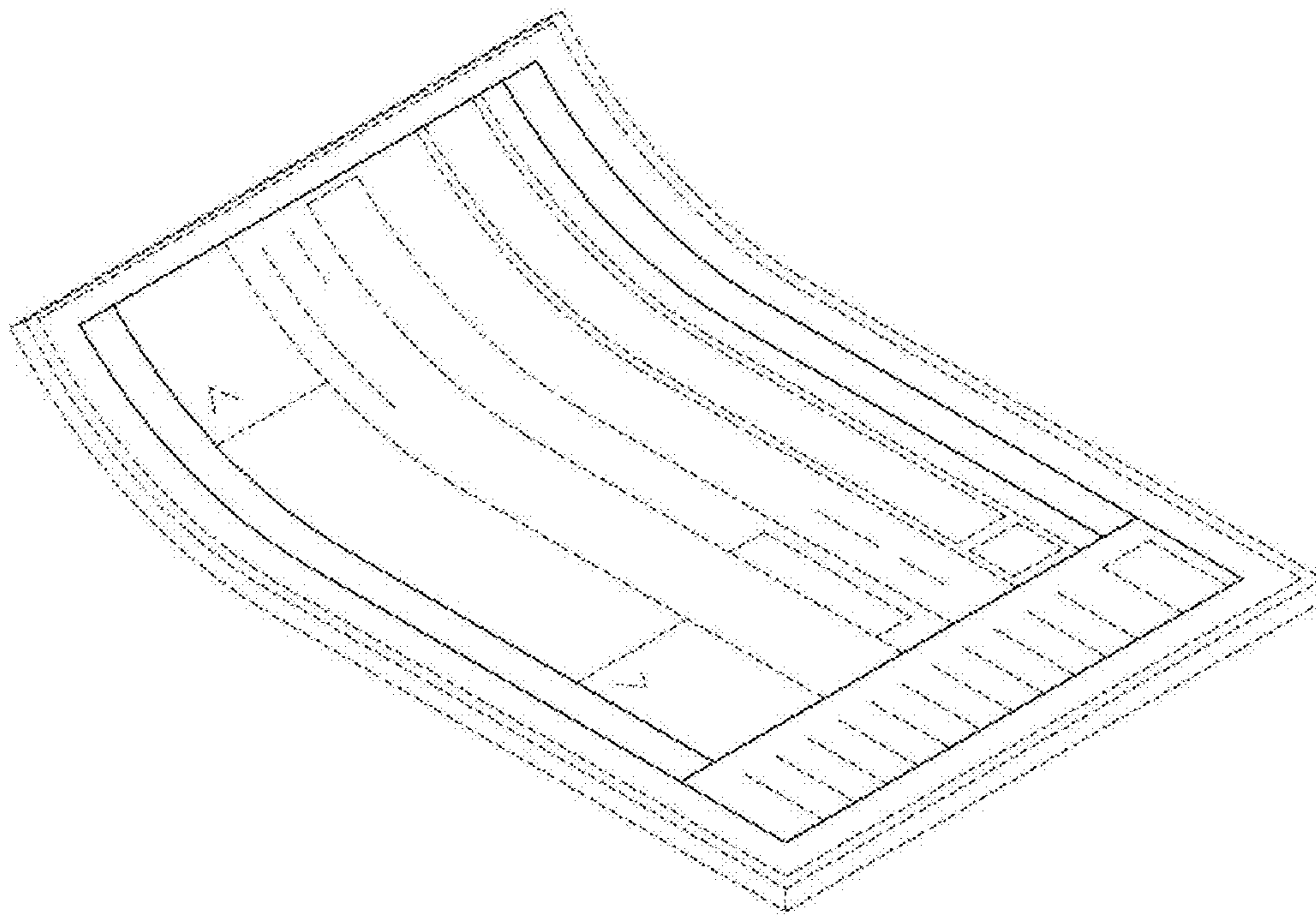


FIG. 3

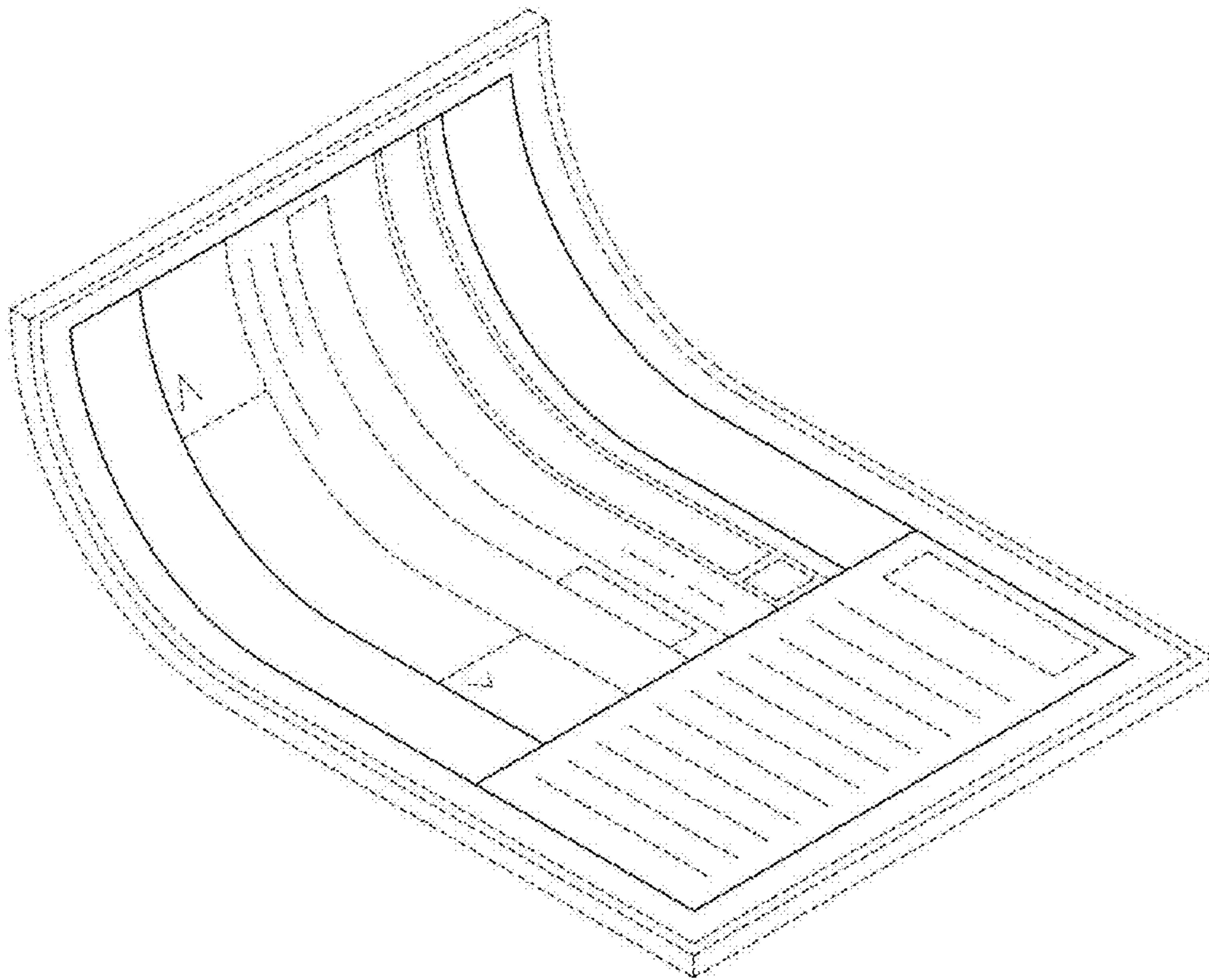


FIG. 4

