



US00D736800S

(12) **United States Design Patent**  
**Brinda et al.**

(10) **Patent No.:** **US D736,800 S**

(45) **Date of Patent:** **\*\* Aug. 18, 2015**

(54) **DISPLAY SCREEN WITH GRAPHICAL USER INTERFACE**

(75) Inventors: **David Brinda**, Washington, DC (US);  
**Sheng-Hsin Huang**, Taoyuan County (TW); **Ashley Yousling**, Washington, DC (US); **Chuan-Feng Yeh**, Taoyuan County (TW); **Hsiang-Ning Wu**, Taoyuan County (TW)

(73) Assignee: **HTC Corporation**, Taoyuan (TW)

(\*\*) Term: **14 Years**

(21) Appl. No.: **29/414,056**

(22) Filed: **Feb. 24, 2012**

(51) **LOC (10) Cl.** ..... **14-04**

(52) **U.S. Cl.**  
USPC ..... **D14/486**

(58) **Field of Classification Search**  
USPC ..... D14/485–495; 715/700–978  
CPC ..... G06F 3/048; G06F 3/04847; H04N 5/222  
See application file for complete search history.

(56) **References Cited**

U.S. PATENT DOCUMENTS

D450,059 S \* 11/2001 Itou ..... D14/489  
D594,020 S \* 6/2009 Ball et al. .... D14/486  
D647,534 S \* 10/2011 Doll ..... D14/486

8,059,182 B2 \* 11/2011 Ota et al. .... 348/333.02  
D660,864 S \* 5/2012 Anzures et al. .... D14/486  
2008/0266407 A1 \* 10/2008 Battles et al. .... 348/211.2  
2009/0153289 A1 \* 6/2009 Hope et al. .... 340/5.1  
2011/0066532 A1 \* 3/2011 Schonberg et al. .... 705/35  
2011/0164058 A1 \* 7/2011 Lemay ..... 345/651

\* cited by examiner

*Primary Examiner* — Ian Simmons

*Assistant Examiner* — Richelle G Shelton

(74) *Attorney, Agent, or Firm* — Jianq Chyun IP Office

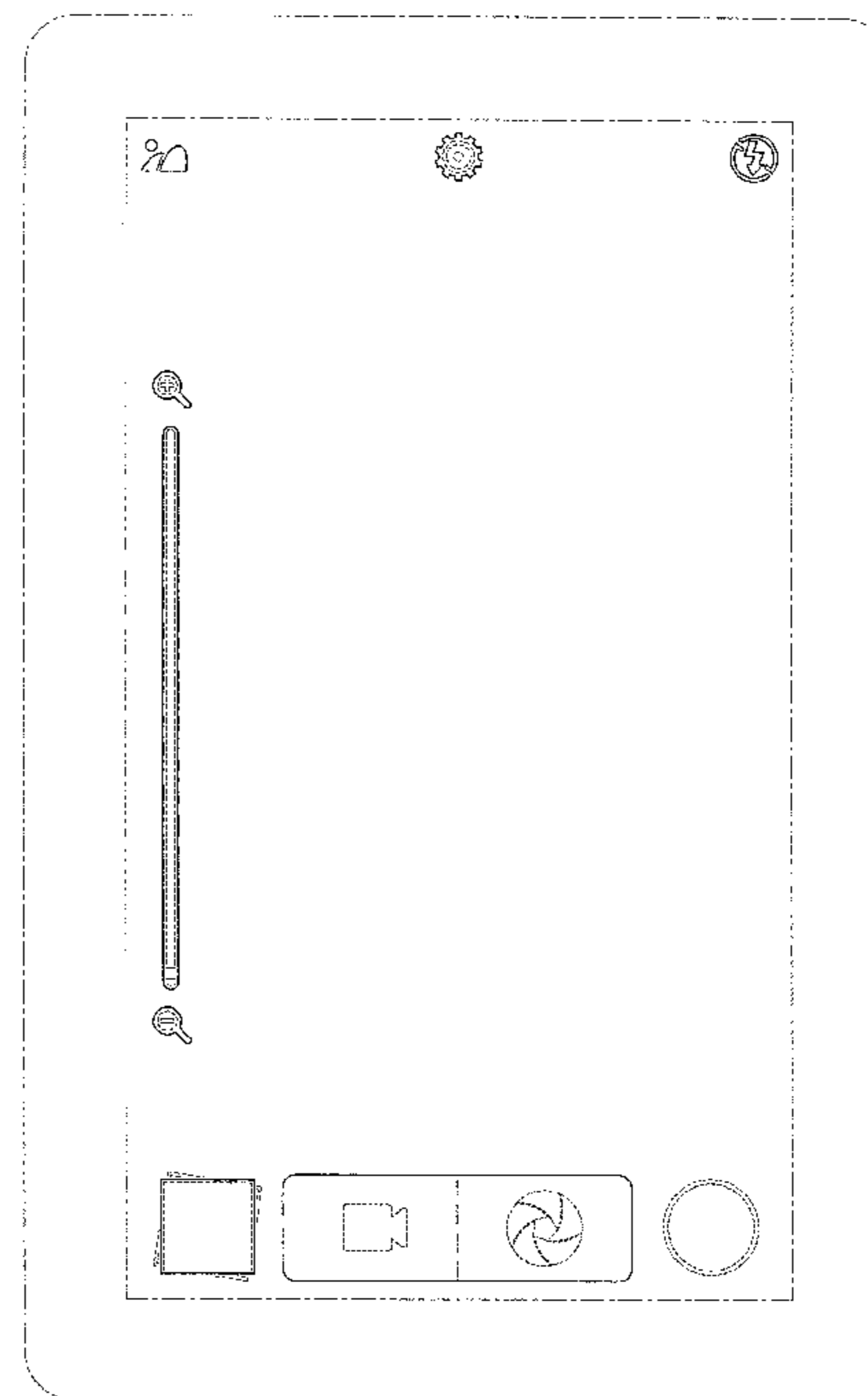
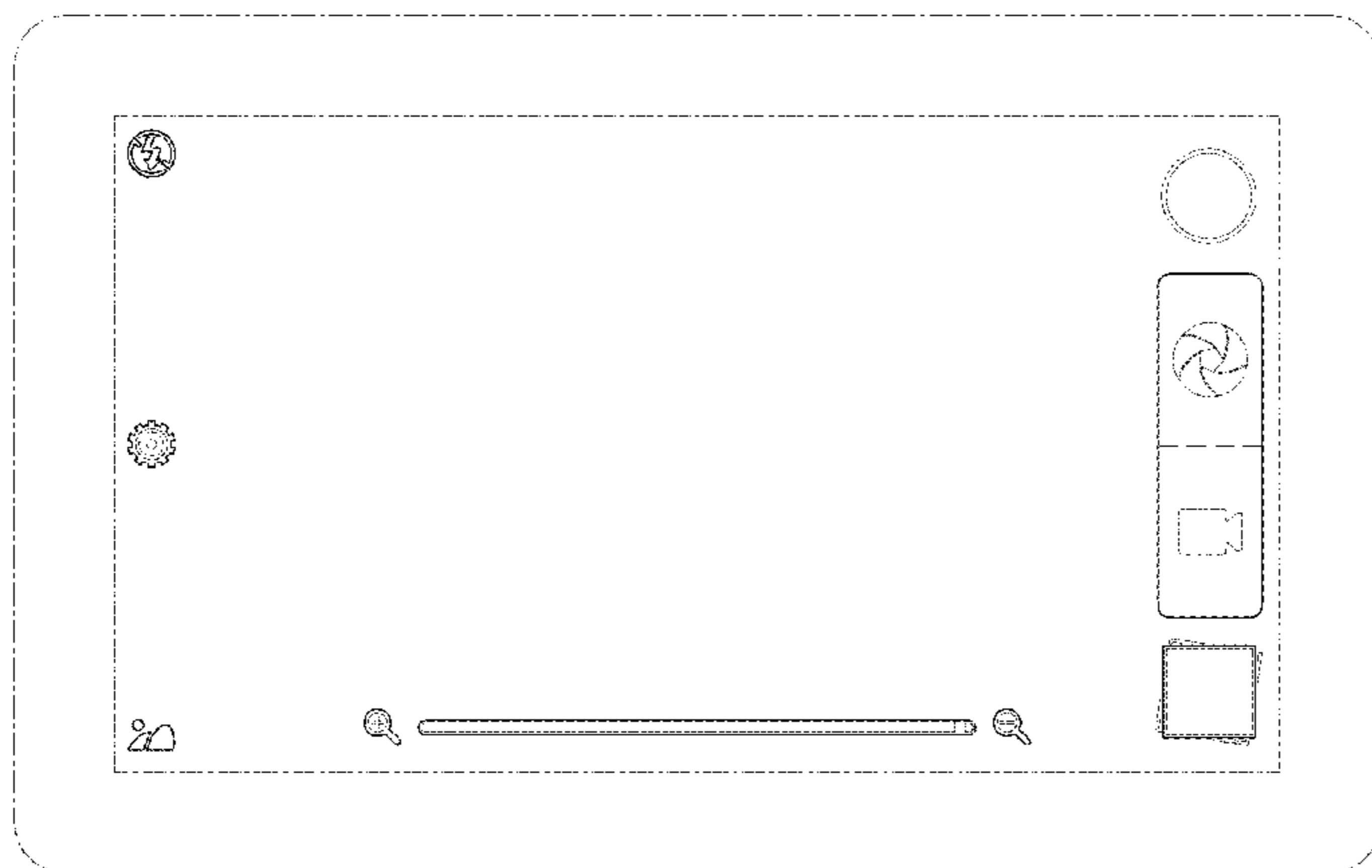
(57) **CLAIM**

The ornamental design for a display screen with graphical user interface, as shown and described.

**DESCRIPTION**

FIG. 1 is a front view of a display screen with a graphical user interface showing a first embodiment of our new design; and, FIG. 2 is a front view of a display screen with a graphical user interface showing a second embodiment of our new design. The broken line showing of the display screen is for the purpose of illustrating environmental structure and forms no part of the claimed design. The broken line showing of the remainder of the graphical user interface forms no part of the claimed design.

**1 Claim, 2 Drawing Sheets**



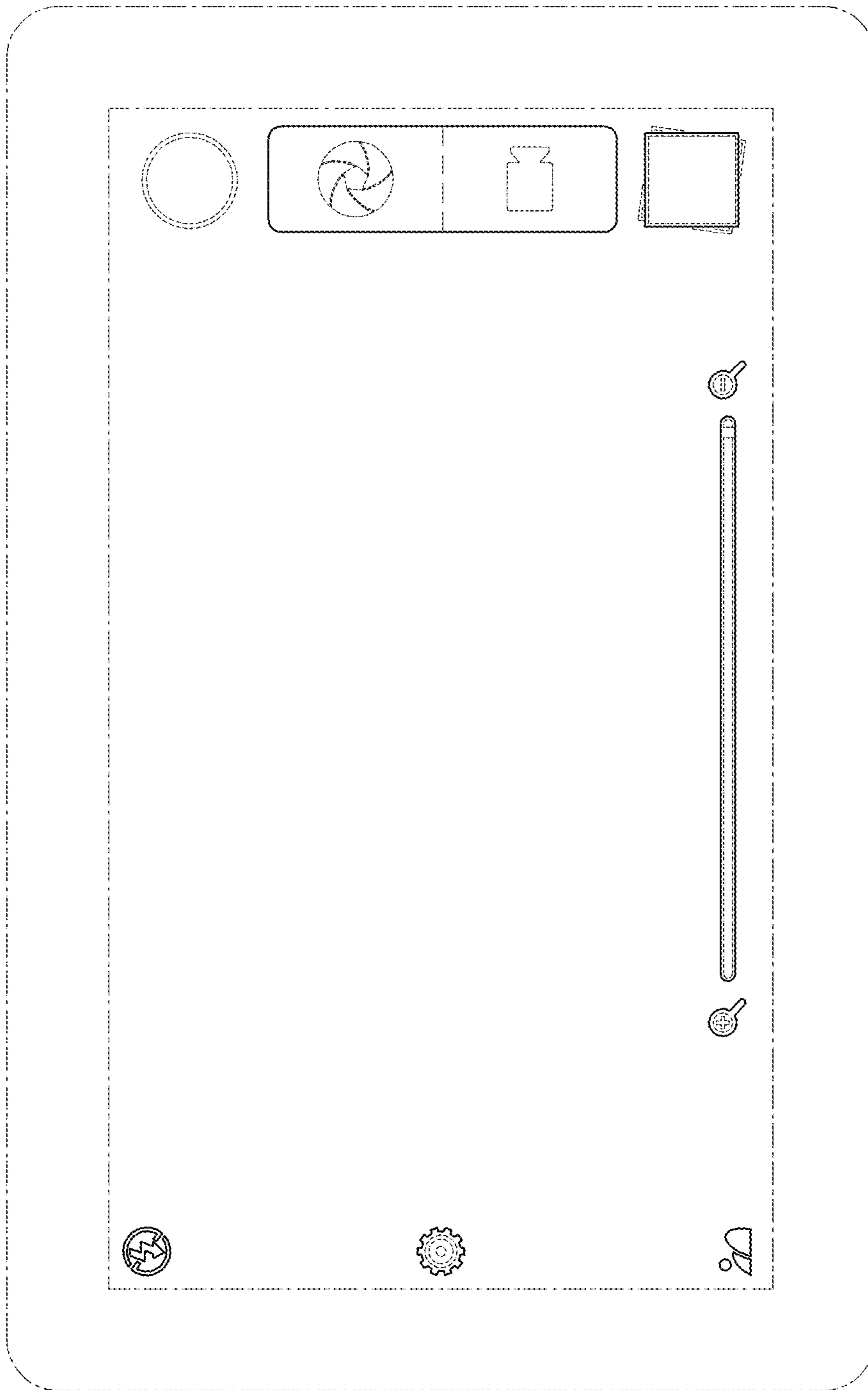


FIG. 1

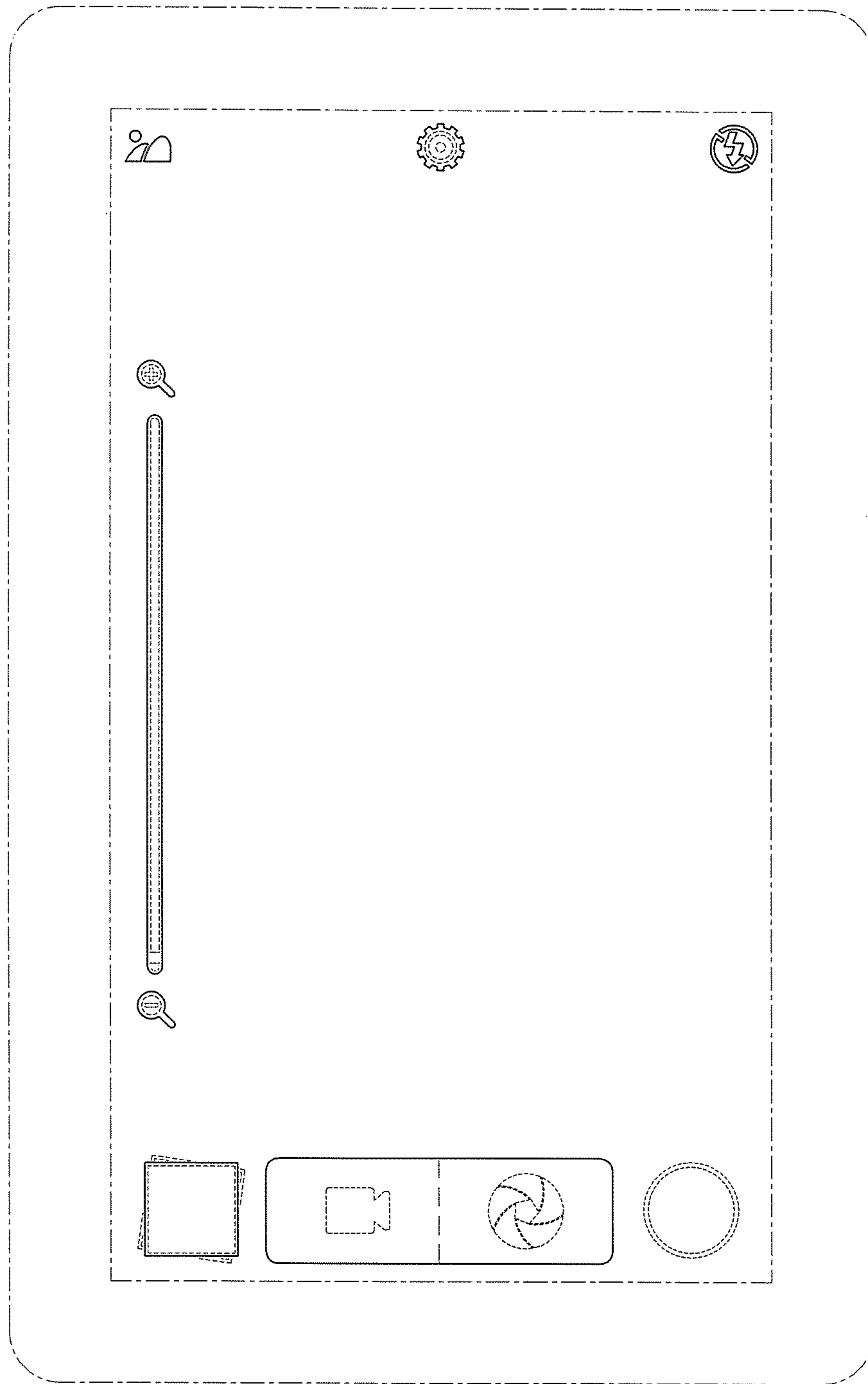


FIG. 2