



US00D736792S

(12) **United States Design Patent**
Brinda et al.

(10) **Patent No.:** **US D736,792 S**
(45) **Date of Patent:** **** Aug. 18, 2015**

(54) **DISPLAY SCREEN WITH GRAPHICAL USER INTERFACE**

(71) Applicant: **HTC Corporation**, Taoyuan County (TW)

(72) Inventors: **David Brinda**, Bellevue, WA (US);
Micah Shotel, Bellevue, WA (US);
Sheng-Hsin Huang, Taoyuan County (TW);
Hsu-Jung Chen, Taoyuan County (TW);
Jye Rong, Taoyuan County (TW);
Peter Chin, Bellevue, WA (US);
Meng-Hsun Wu, Taoyuan County (TW)

(73) Assignee: **HTC Corporation**, Taoyuan (TW)

(**) Term: **14 Years**

(21) Appl. No.: **29/461,666**

(22) Filed: **Jul. 26, 2013**

Related U.S. Application Data

(63) Continuation-in-part of application No. 29/411,001, filed on Jan. 13, 2012, now Pat. No. Des. 689,874.

(51) **LOC (10) Cl.** **14-04**

(52) **U.S. Cl.**
USPC **D14/485**

(58) **Field of Classification Search**
USPC D14/485-495; 715/202, 212, 246, 715, 715/716, 718, 719, 723, 726, 730, 731, 732, 715/764, 768, 779, 780, 782, 792, 793, 808, 715/809, 810, 811, 812, 813, 821, 822, 823, 715/825, 828, 830, 833, 835, 838, 840, 841, 715/845, 848, 859, 860, 861, 864, 963, 974, 715/977

See application file for complete search history.

(56) **References Cited**

U.S. PATENT DOCUMENTS

D435,561 S * 12/2000 Pettigrew et al. D14/487
D454,138 S * 3/2002 Imamura et al. D14/486

(Continued)

Primary Examiner — Angela J Lee
(74) *Attorney, Agent, or Firm* — Jianq Chyun IP Office

(57) **CLAIM**
The ornamental design for a display screen with graphical user interface, as shown and described.

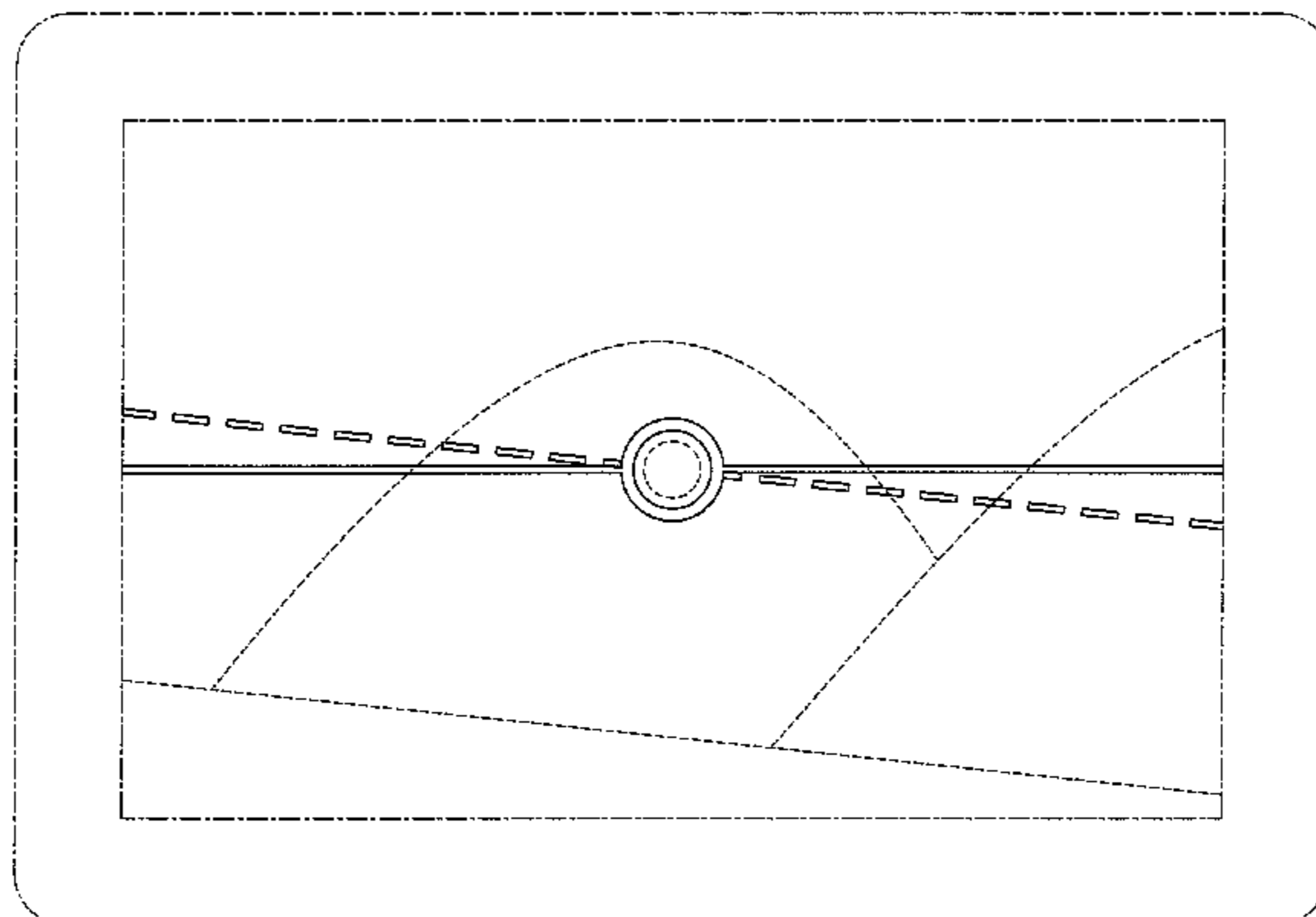
DESCRIPTION

FIG. 1 is a front view of the first image of a display screen with graphical user interface showing a first embodiment of our new design;
FIG. 2 is a front view of a second image of the first embodiment;
FIG. 3 is a front view of a third image of the first embodiment;
FIG. 4 is a front view of a fourth image of the first embodiment;
FIG. 5 is a front view of a fifth image of the first embodiment;
FIG. 6 is a front view of the first image of a display screen with graphical user interface showing a second embodiment of our new design;
FIG. 7 is a front view of a second image of the second embodiment;
FIG. 8 is a front view of a third image of the second embodiment;
FIG. 9 is a front view of a fourth image of the second embodiment; and,
FIG. 10 is a front view of a fifth image of the second embodiment.

The broken line drawing of a display screen in all views illustrates unclaimed environment and forms no part of the claimed design. The broken line showing the remainder of the image in all views illustrates unclaimed portions of the design and forms no part thereof.

In FIGS. 1-5 of the first embodiment, the circle-ring-shaped stripe, continuous-line-shaped stripes and discontinuous-line-shaped stripes convey the impression of a translucent surface, and the round spots do not convey the impression of a translucent surface. In FIGS. 6-10 of the second embodiment, the circle-ring-shaped stripe, continuous-line-shaped stripes, discontinuous-line-shaped stripes, and the round spots do not convey the impression of a translucent surface. The appearance of the transitional image sequentially transitions between the images shown in FIGS. 1-5 of the first embodiment and FIGS. 6-10 of the second embodiment. The process or period in which one image transitions to another image forms no part of the claimed design.

1 Claim, 10 Drawing Sheets



(56)

References Cited

U.S. PATENT DOCUMENTS

D524,321 S *	7/2006	Hally et al.	D14/487	D602,942 S *	10/2009	Bennett et al.	D14/485
D528,554 S *	9/2006	Lam et al.	D14/486	D641,375 S *	7/2011	Vadlamani et al.	D14/489
D558,220 S *	12/2007	Maitlen et al.	D14/487	D644,242 S *	8/2011	Matas	D14/489
D559,258 S *	1/2008	Kita et al.	D14/485	D644,656 S *	9/2011	Maitlen et al.	D14/489
D579,021 S *	10/2008	Ahn et al.	D14/486	D689,874 S *	9/2013	Brinda et al.	D14/485
				2010/0118037 A1 *	5/2010	Sheikh et al.	345/473
				2012/0185773 A1 *	7/2012	Wang et al.	715/719

* cited by examiner

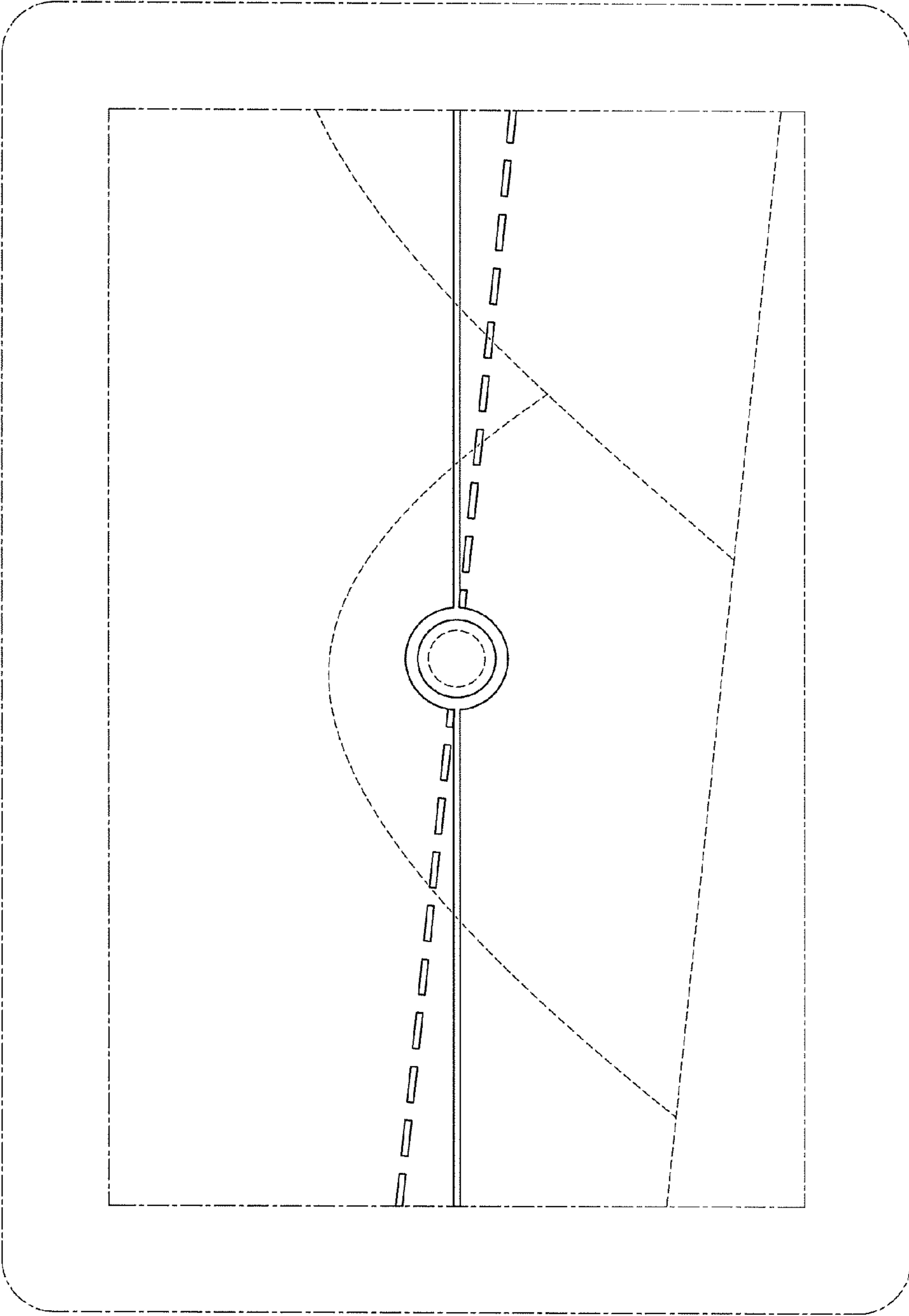


FIG. 1

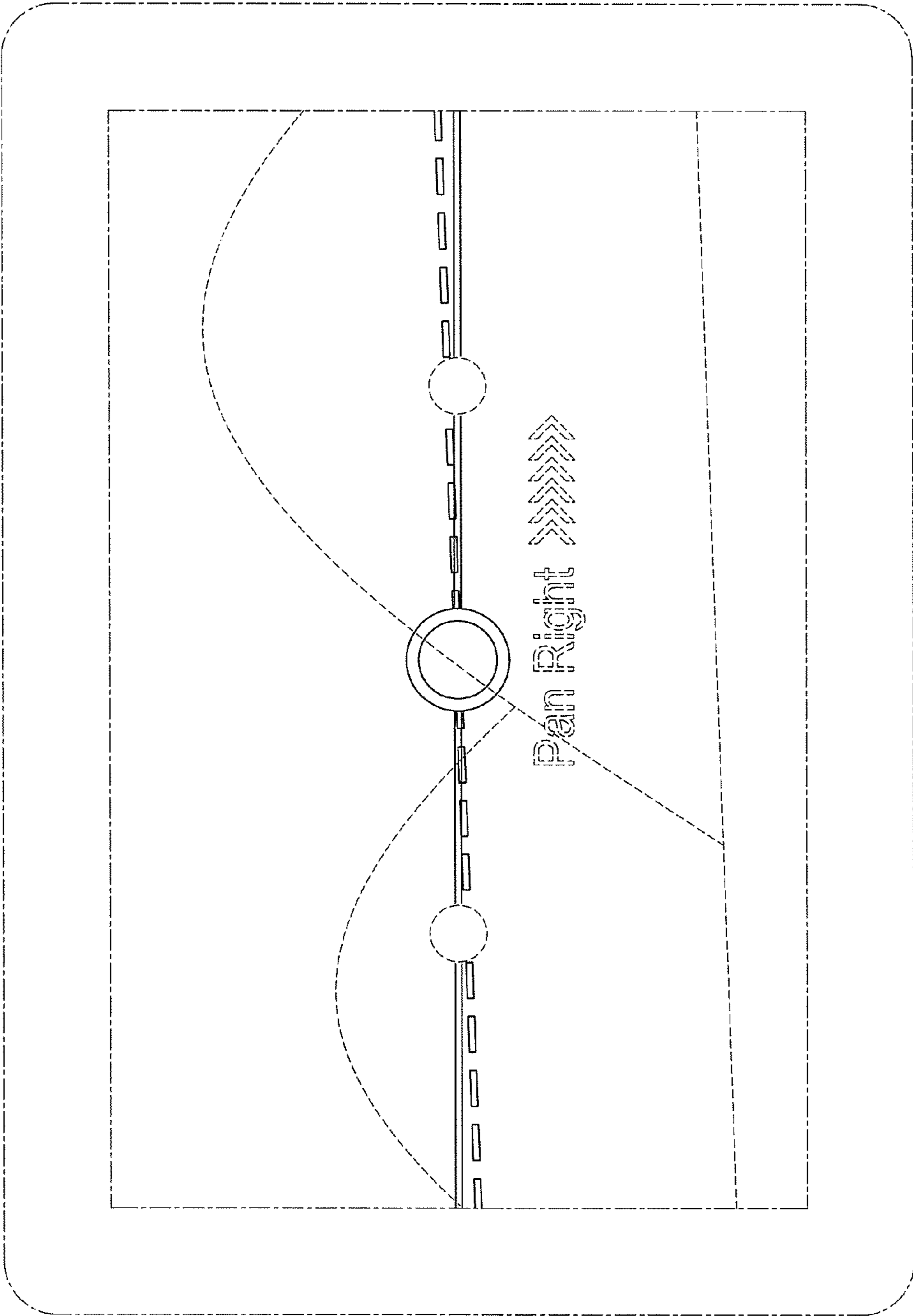


FIG. 2

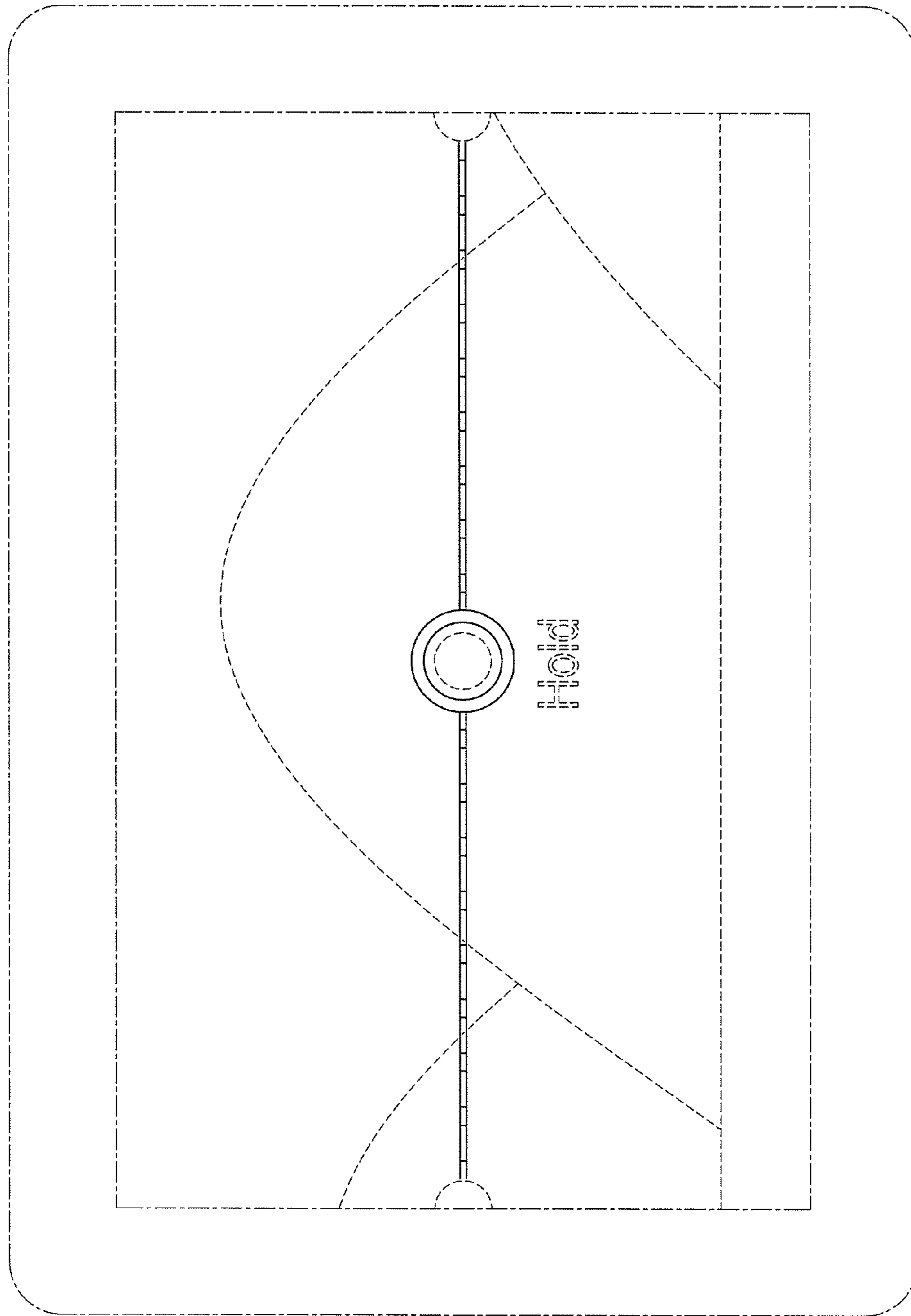


FIG. 3

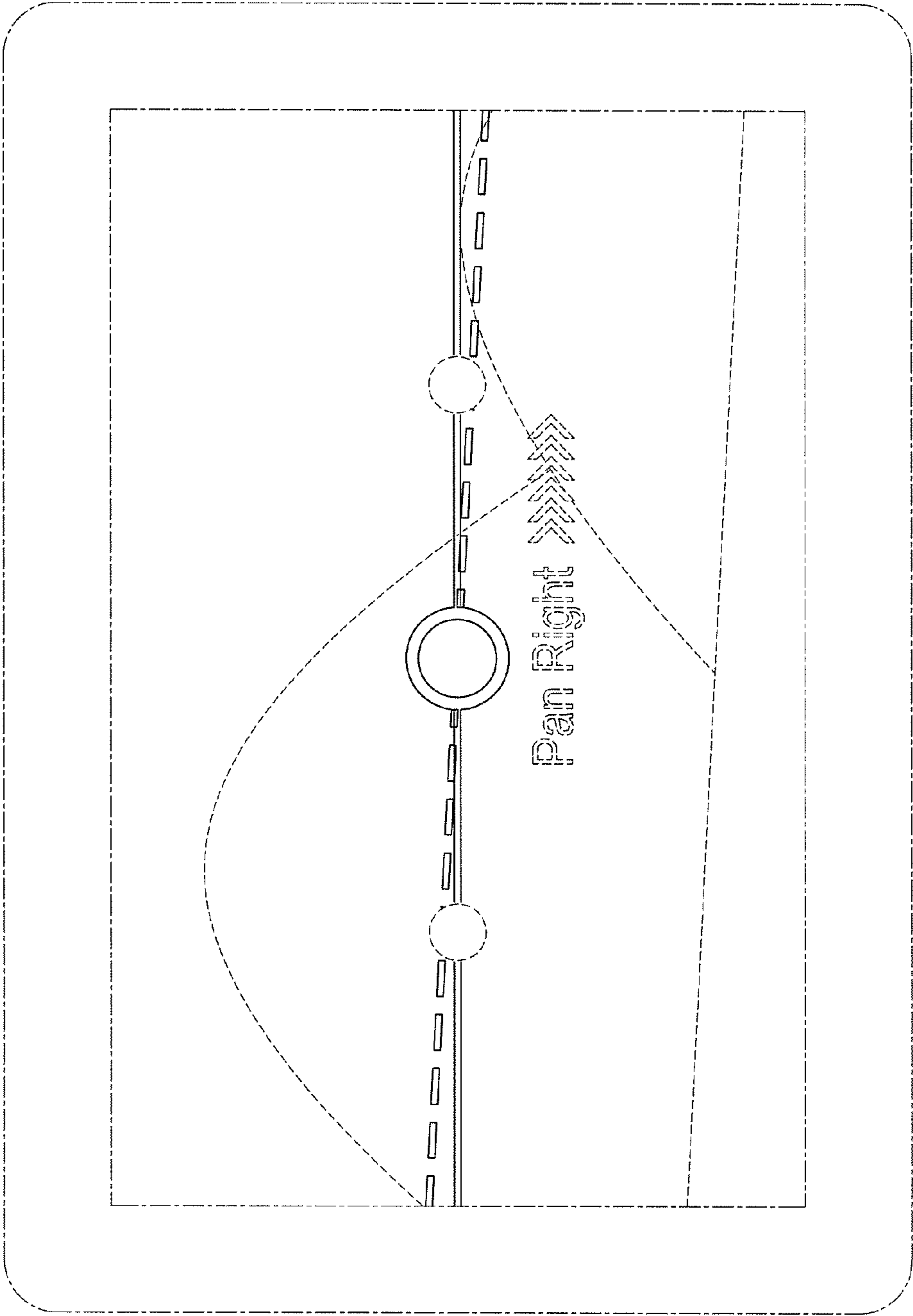


FIG. 4

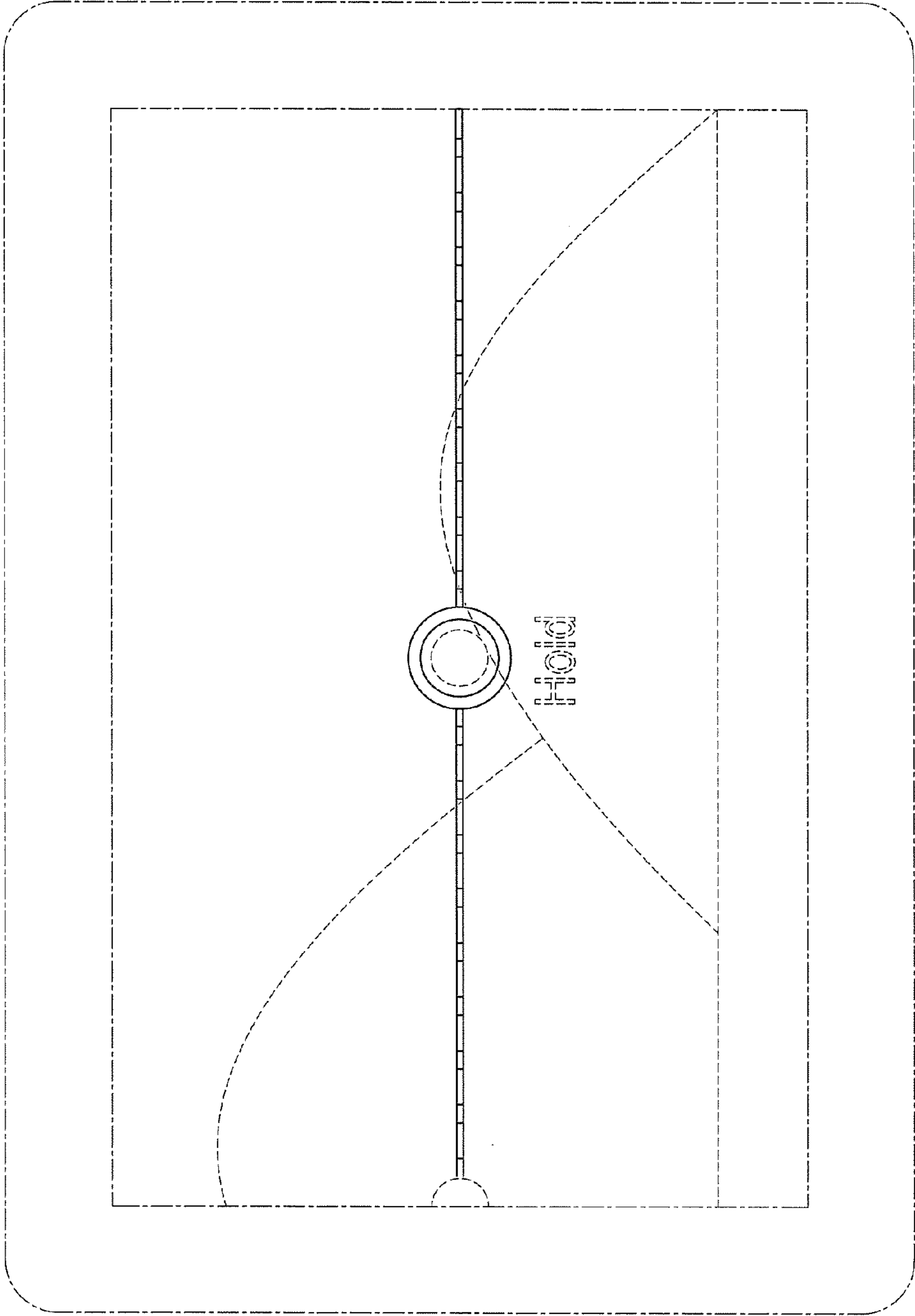


FIG. 5

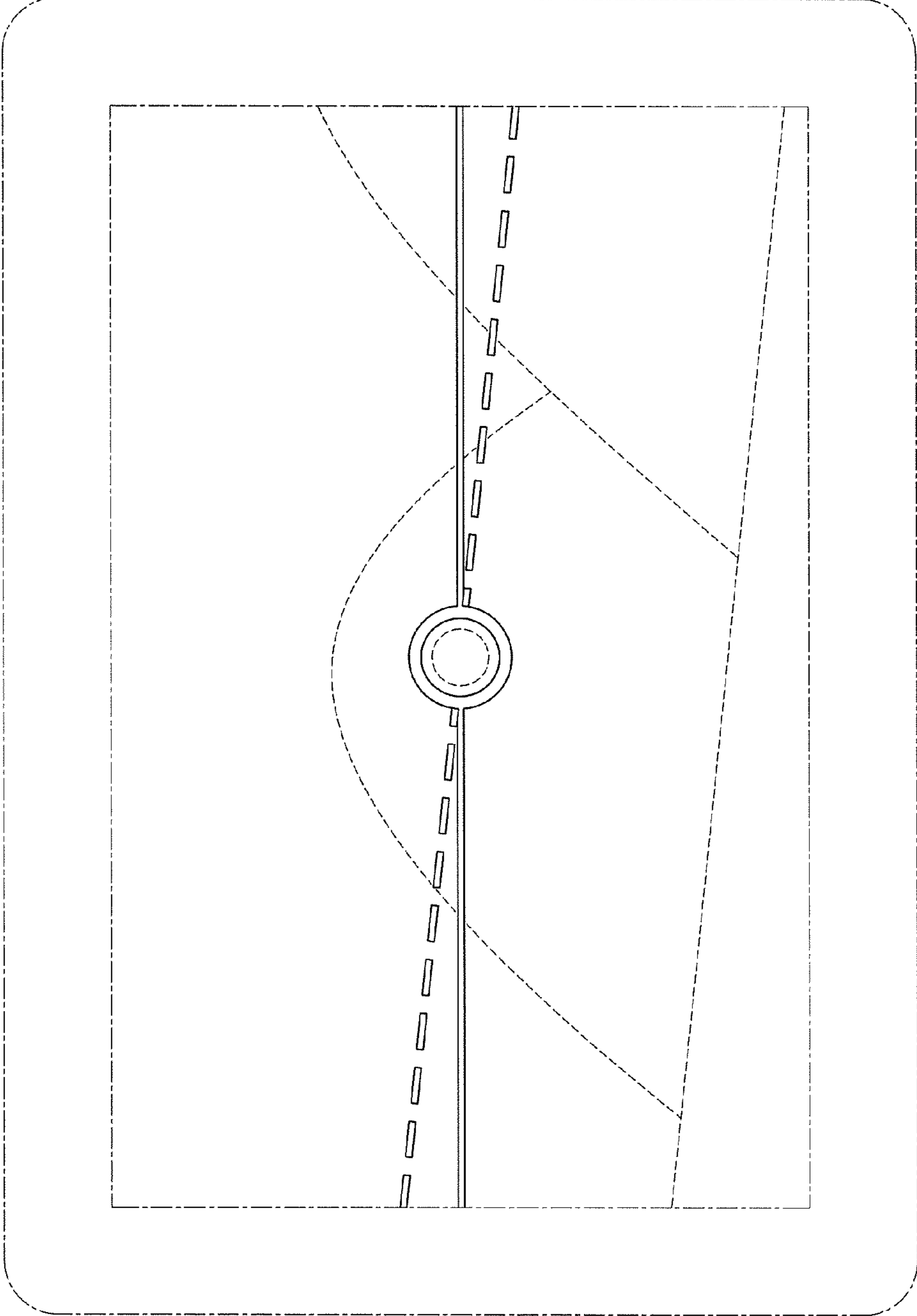


FIG. 6

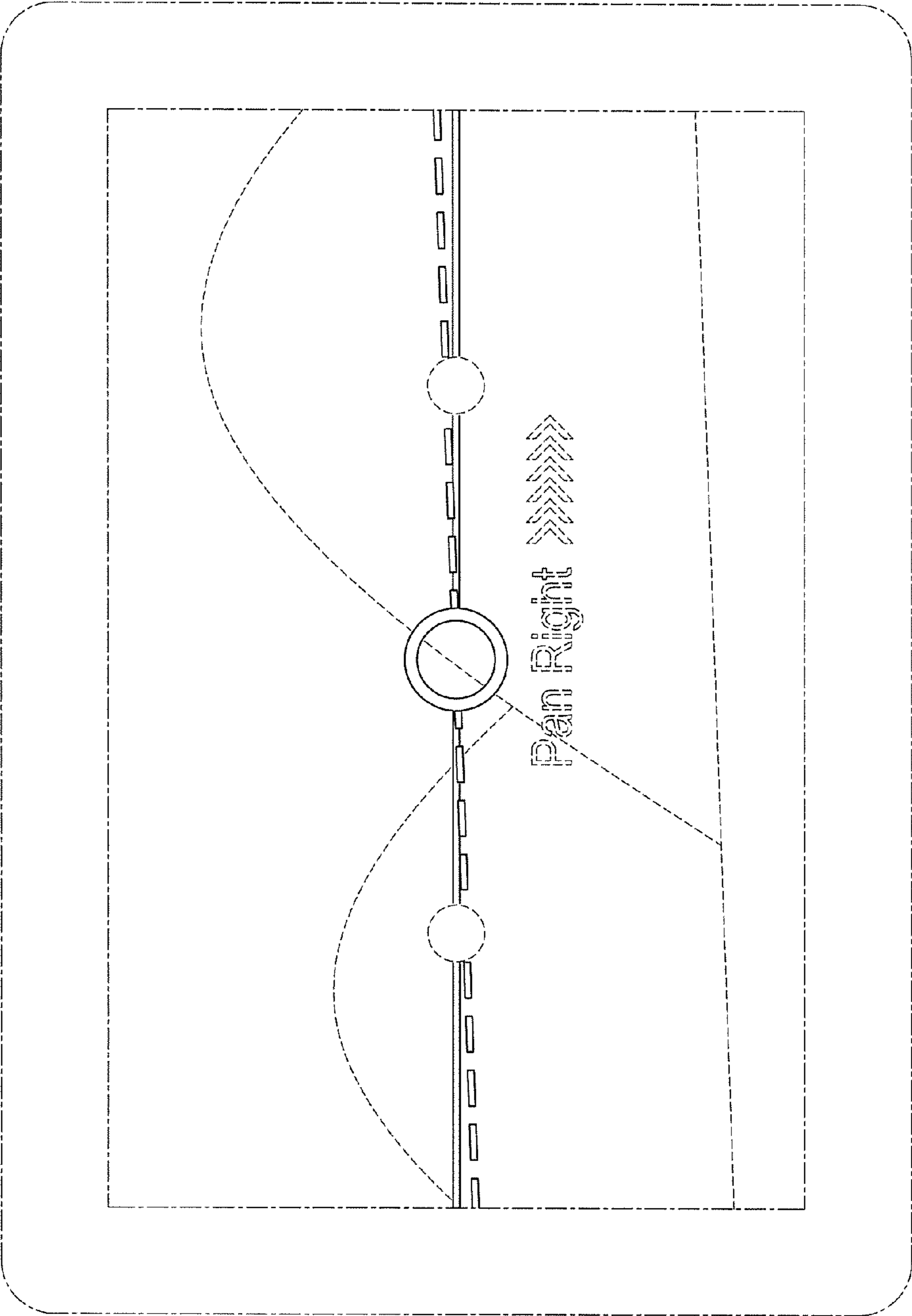


FIG. 7

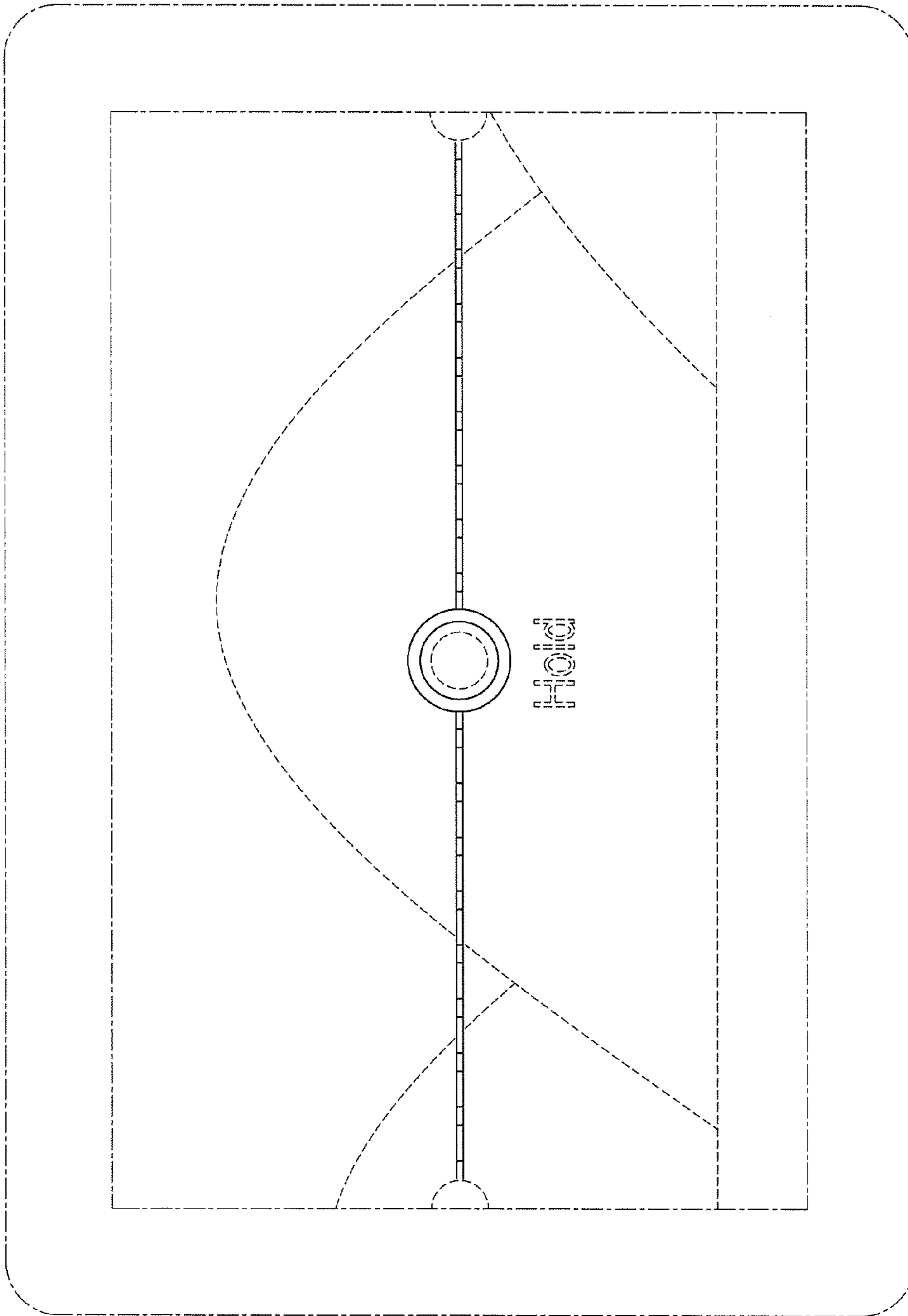


FIG. 8

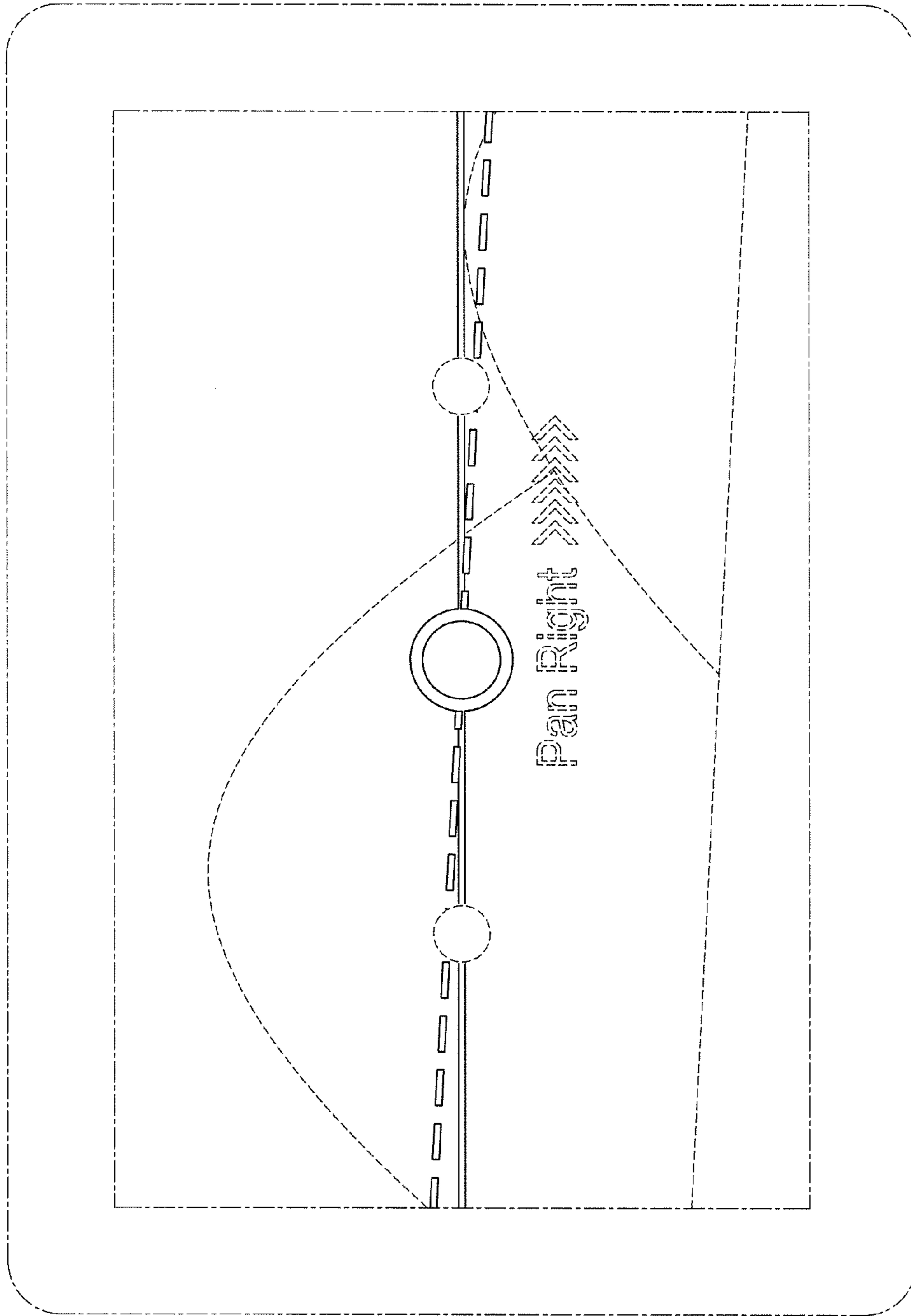


FIG. 9

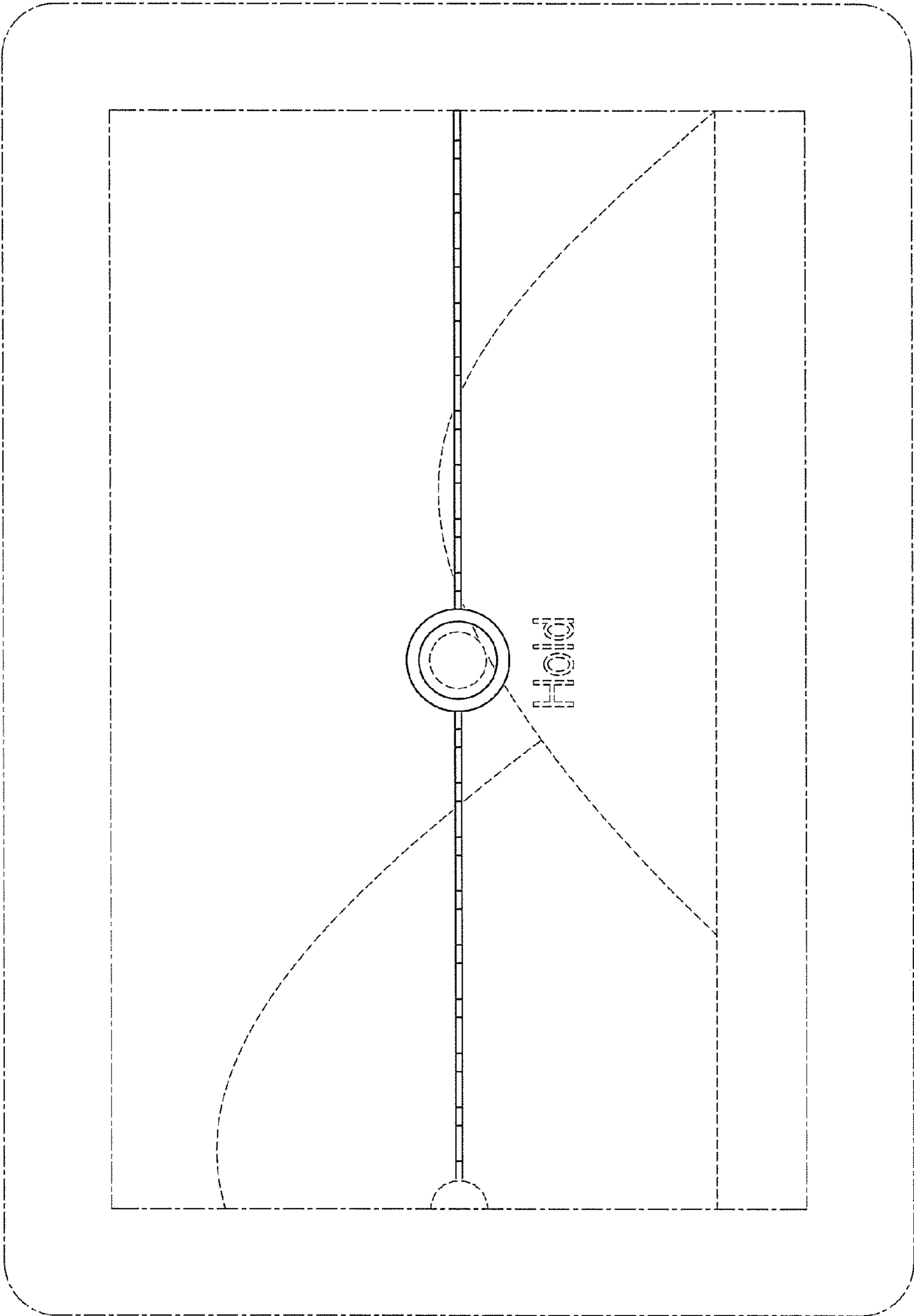


FIG. 10