

US00D736785S

(12) **United States Design Patent**
Rosenberg et al.

(10) **Patent No.:** **US D736,785 S**

(45) **Date of Patent:** **** Aug. 18, 2015**

(54) **DISPLAY PANEL OR PORTION THEREOF WITH A CHANGEABLE GRAPHICAL USER INTERFACE COMPONENT**

Primary Examiner — Sheryl Lane
Assistant Examiner — Nicole Shiflet
(74) *Attorney, Agent, or Firm* — Leason Ellis LLP

(71) Applicant: **Google, Inc.**, Mountain View, CA (US)

(72) Inventors: **Greg Rosenberg**, San Mateo, CA (US);
William Wayne Woodworth, San Francisco, CA (US)

(57) **CLAIM**
The ornamental design for a display panel or portion thereof with a changeable graphical user interface component, as shown and described.

(73) Assignee: **GOOGLE INC.**, Mountain View, CA (US)

(**) Term: **14 Years**

DESCRIPTION

(21) Appl. No.: **29/455,656**

FIG. 1 is a front view of a display panel or portion thereof with a changeable graphical user interface (“UI”) component, comprising a first image in a sequence;
FIG. 2 is a front view of a second image included in the sequence;
FIG. 3 is a front view of a third image included in the sequence;
FIG. 4 is a front view of a fourth image included in the sequence;
FIG. 5 is an enlarged front view of the left side of FIG. 1, up to the curved broken-away line to show details at a larger scale; and,
FIG. 6 is an enlarged front view of the left side of FIG. 2, up to the curved broken-away line to show details at a larger scale.

(22) Filed: **May 23, 2013**

(51) **LOC (10) Cl.** **14-04**

(52) **U.S. Cl.**
USPC **D14/485**

(58) **Field of Classification Search**
USPC D14/485–488, 489, 490, 492; 715/861
CPC G06F 3/04842; G06F 3/0482; G06F 3/04817
See application file for complete search history.

The subject matter in this patent includes a process or period during which a computer icon image changes into another image. This process or period in which one computer icon image transitions into another forms no part of the claimed design.

The curved broken-away lines indicate break lines and the appearance of any portion of the article between the break lines forms no part of the claimed design. The large broken lines surrounding the user interface in the figure drawings represent portions of a display panel and form no part of the claimed design. The small broken lines represent portions of the user interface and form no part of the claimed design.

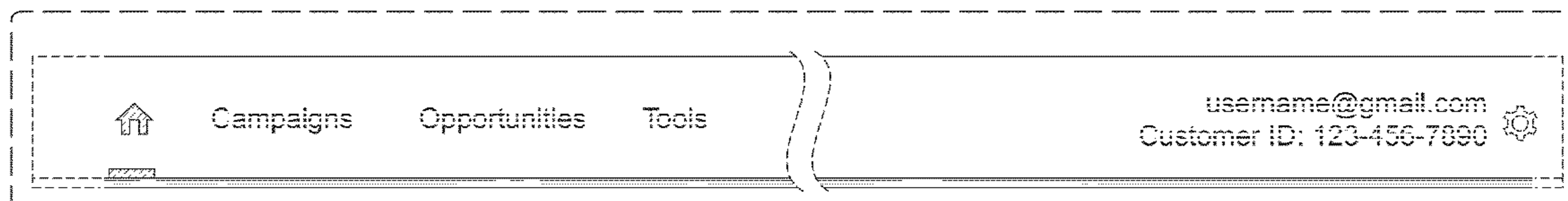
(56) **References Cited**

U.S. PATENT DOCUMENTS

5,957,559	A *	9/1999	Rueb et al.	353/28
D705,798	S *	5/2014	Lim et al.	D14/486
8,842,085	B1 *	9/2014	Goodspeed et al.	345/173
D718,323	S *	11/2014	Hwang et al.	D14/486
2005/0122315	A1 *	6/2005	Chalk et al.	345/173
2005/0131856	A1 *	6/2005	O’Dea	707/1
2011/0291985	A1 *	12/2011	Wakako et al.	345/174
2011/0310048	A1 *	12/2011	Ramarao et al.	345/173
2012/0173659	A1 *	7/2012	Thaxter et al.	709/217
2012/0226979	A1 *	9/2012	Harberts et al.	715/702
2013/0027736	A1 *	1/2013	Kittaka	358/1.14
2013/0235271	A1 *	9/2013	Kasuga et al.	348/569
2014/0189597	A1 *	7/2014	Kang	715/835
2014/0215340	A1 *	7/2014	Shetty et al.	715/727
2014/0304730	A1 *	10/2014	Lettau et al.	725/32

* cited by examiner

1 Claim, 2 Drawing Sheets



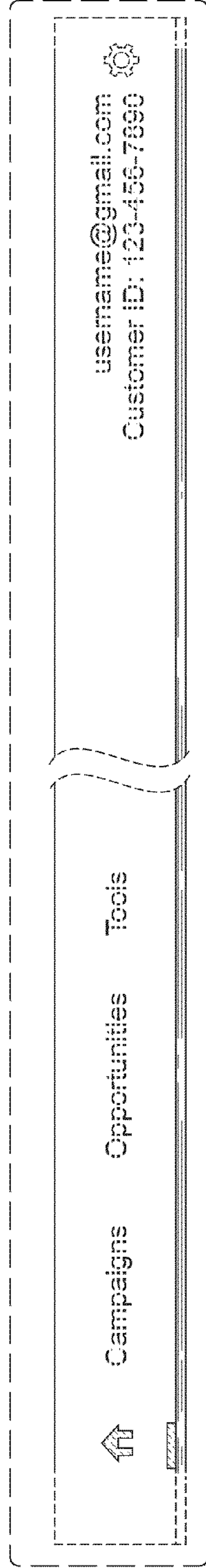


Fig. 1

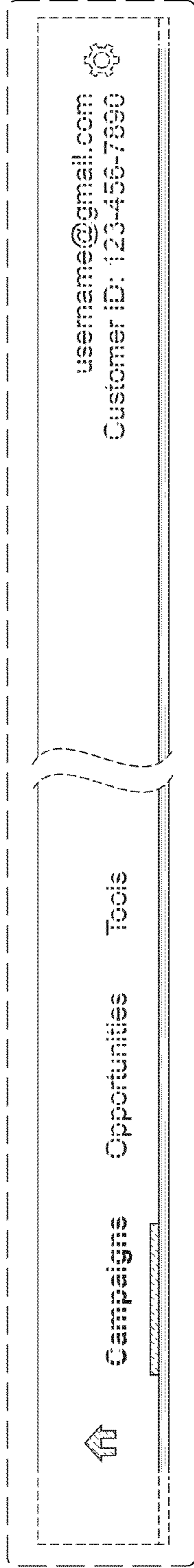


Fig. 2

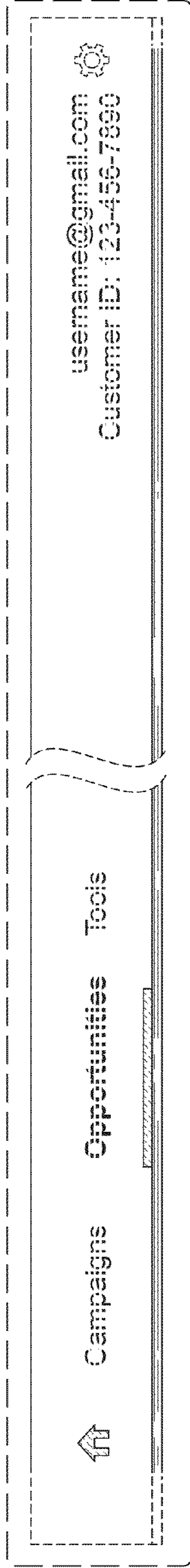


Fig. 3

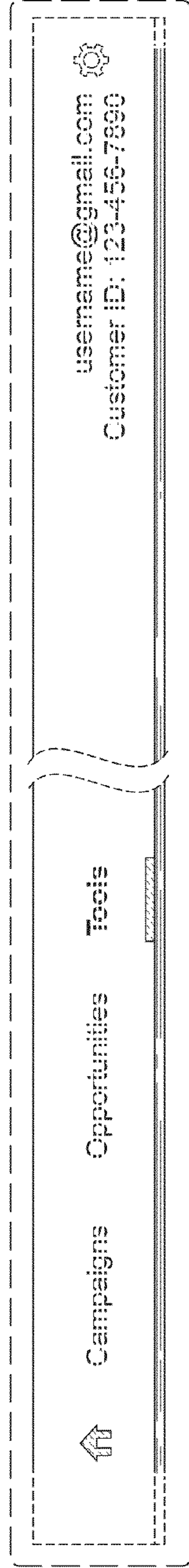


Fig. 4

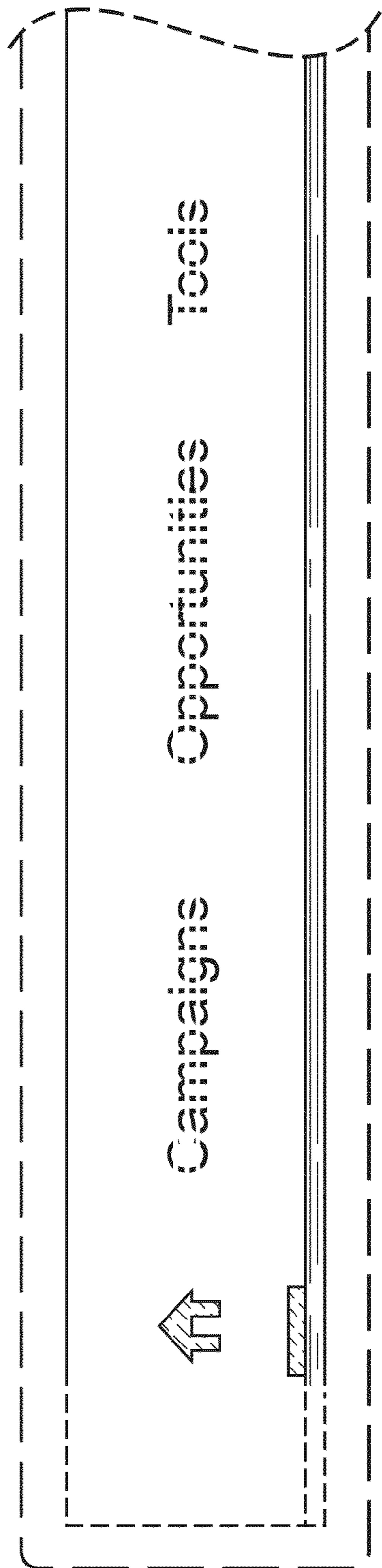


Fig. 5

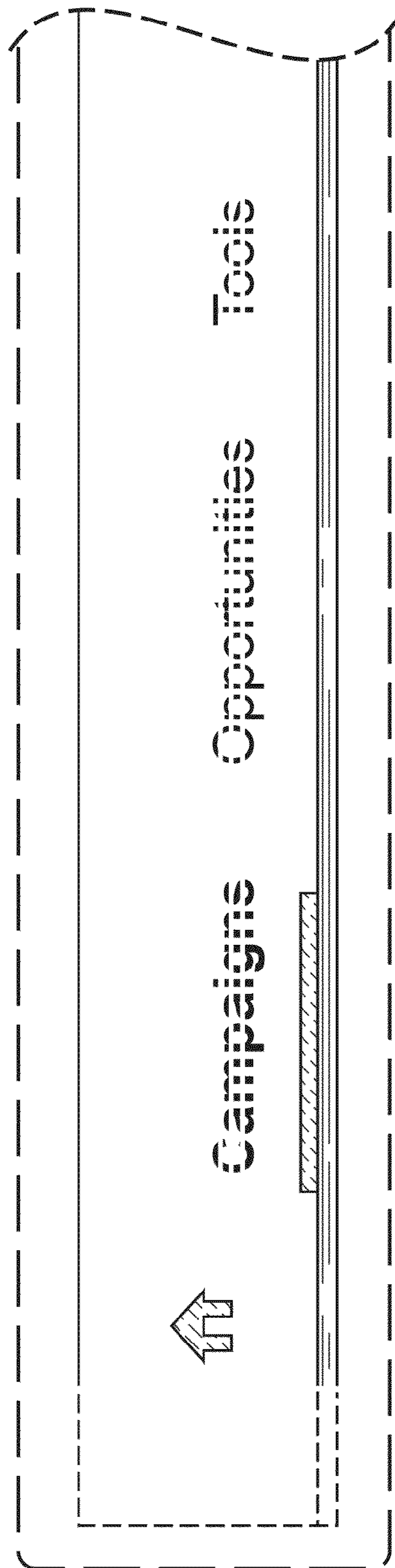


Fig. 6