



US00D736780S

(12) **United States Design Patent**
Wang

(10) **Patent No.:** **US D736,780 S**

(45) **Date of Patent:** **** Aug. 18, 2015**

(54) **DISPLAY SCREEN OR PORTION THEREOF
WITH ANIMATED GRAPHICAL USER
INTERFACE**

(71) Applicant: **Lenovo (Beijing) Co., Ltd.**, Beijing
(CN)

(72) Inventor: **Renjie Wang**, Beijing (CN)

(73) Assignee: **LENOVO (BEIJING) CO., LTD.**,
Beijing (CN)

(**) Term: **14 Years**

(21) Appl. No.: **29/445,484**

(22) Filed: **Feb. 12, 2013**

(30) **Foreign Application Priority Data**

Dec. 27, 2012 (CN) 2012 3 0656444

(51) **LOC (10) Cl.** **14-04**

(52) **U.S. Cl.**
USPC **D14/485**

(58) **Field of Classification Search**
USPC D14/485-495; 715/700, 703, 716, 727,
715/730, 771, 773, 778, 779, 780, 784, 785,
715/786, 787, 810, 821, 825, 828, 830, 833,
715/834, 835, 840, 847, 864, 973, 974
CPC G06F 3/0482; G06F 8/34; G06F 3/04817;
G06F 3/048

See application file for complete search history.

(56) **References Cited**

U.S. PATENT DOCUMENTS

D396,455	S	*	7/1998	Bier	D14/489
D453,167	S	*	1/2002	Hasegawa et al.	D14/489
6,775,659	B2	*	8/2004	Clifton-Bligh	1/1
D550,696	S	*	9/2007	Kortum et al.	D14/491
D607,007	S	*	12/2009	Kocmick	D14/489
D630,644	S	*	1/2011	Wilson	D14/486
D630,646	S	*	1/2011	Wilson	D14/487
D690,717	S	*	10/2013	Thomsen et al.	D14/485
D715,313	S	*	10/2014	Hontz, Jr.	D14/485
2009/0183100	A1	*	7/2009	Eom et al.	715/769
2010/0251181	A1	*	9/2010	Lal	715/834
2012/0079430	A1	*	3/2012	Kwahk et al.	715/834
2013/0219340	A1	*	8/2013	Linge	715/834

* cited by examiner

Primary Examiner — Angela J Lee

(74) *Attorney, Agent, or Firm* — Brinks Gilson & Lione; G. Peter Nichols

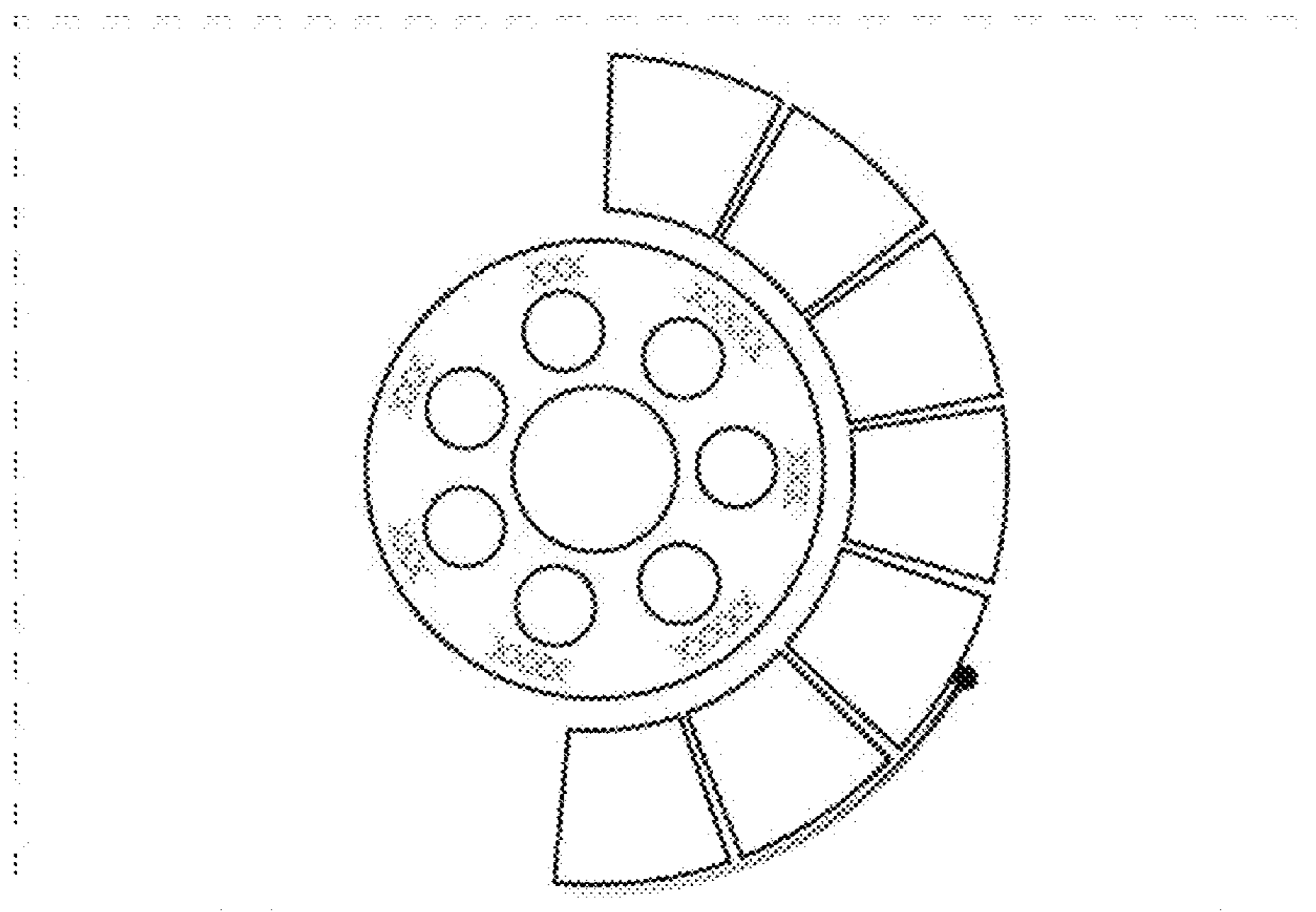
(57) **CLAIM**

The ornamental design for a display screen or portion thereof with animated graphical user interface, as shown and described.

DESCRIPTION

FIG. 1 is the first image in a sequence for a display screen or a portion of a display screen with animated graphical user interface showing my new design; FIG. 2 is the second image thereof; and, FIG. 3 is the third image thereof. The appearance of the animated user interface sequentially transitions between the images shown in FIGS. 1-3. The process or period in which one image transitions to another forms no part of the claimed design. The display screen shown in broken lines is for illustrative purposes only and forms no part of the claimed design.

1 Claim, 2 Drawing Sheets



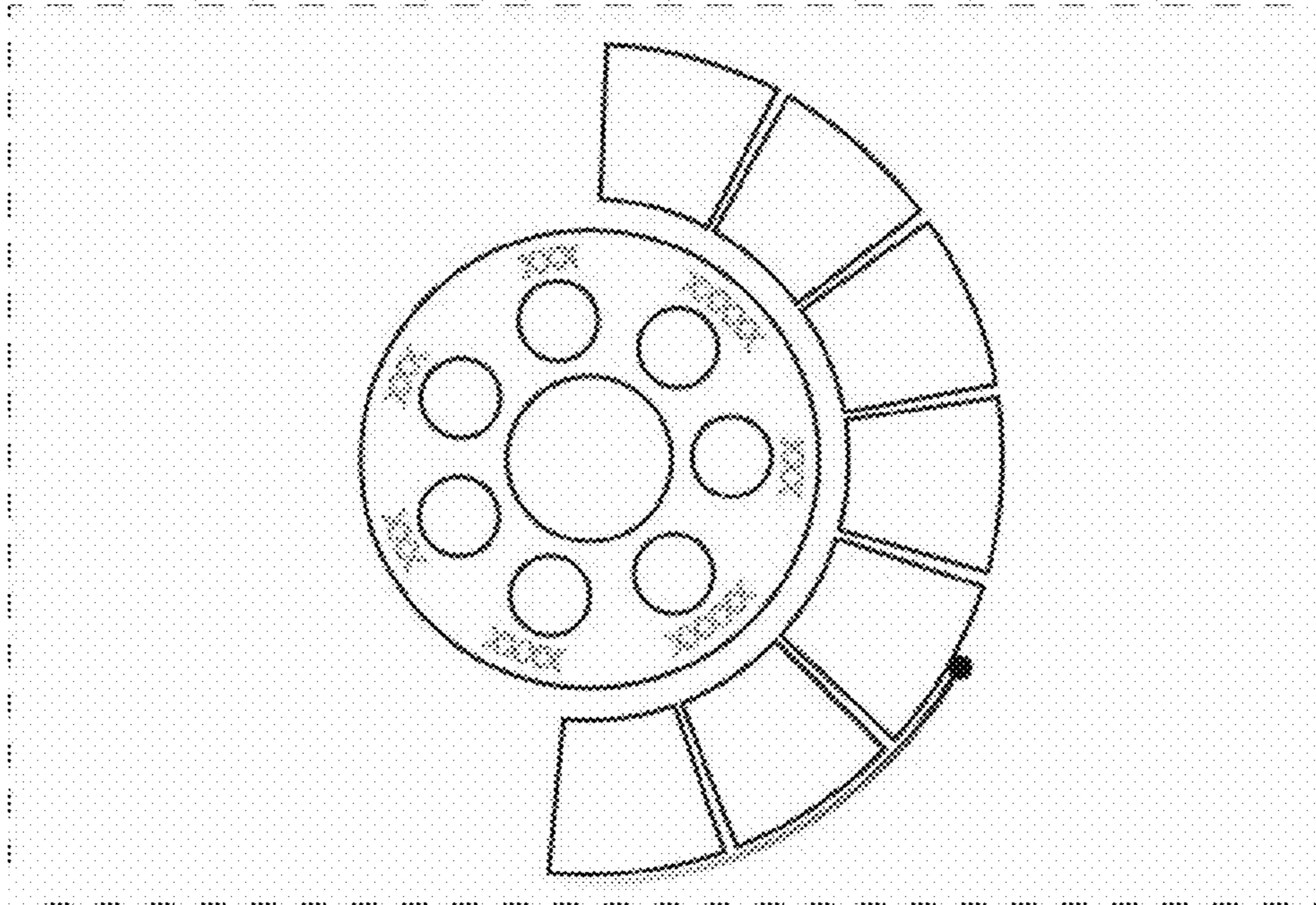


Fig. 1

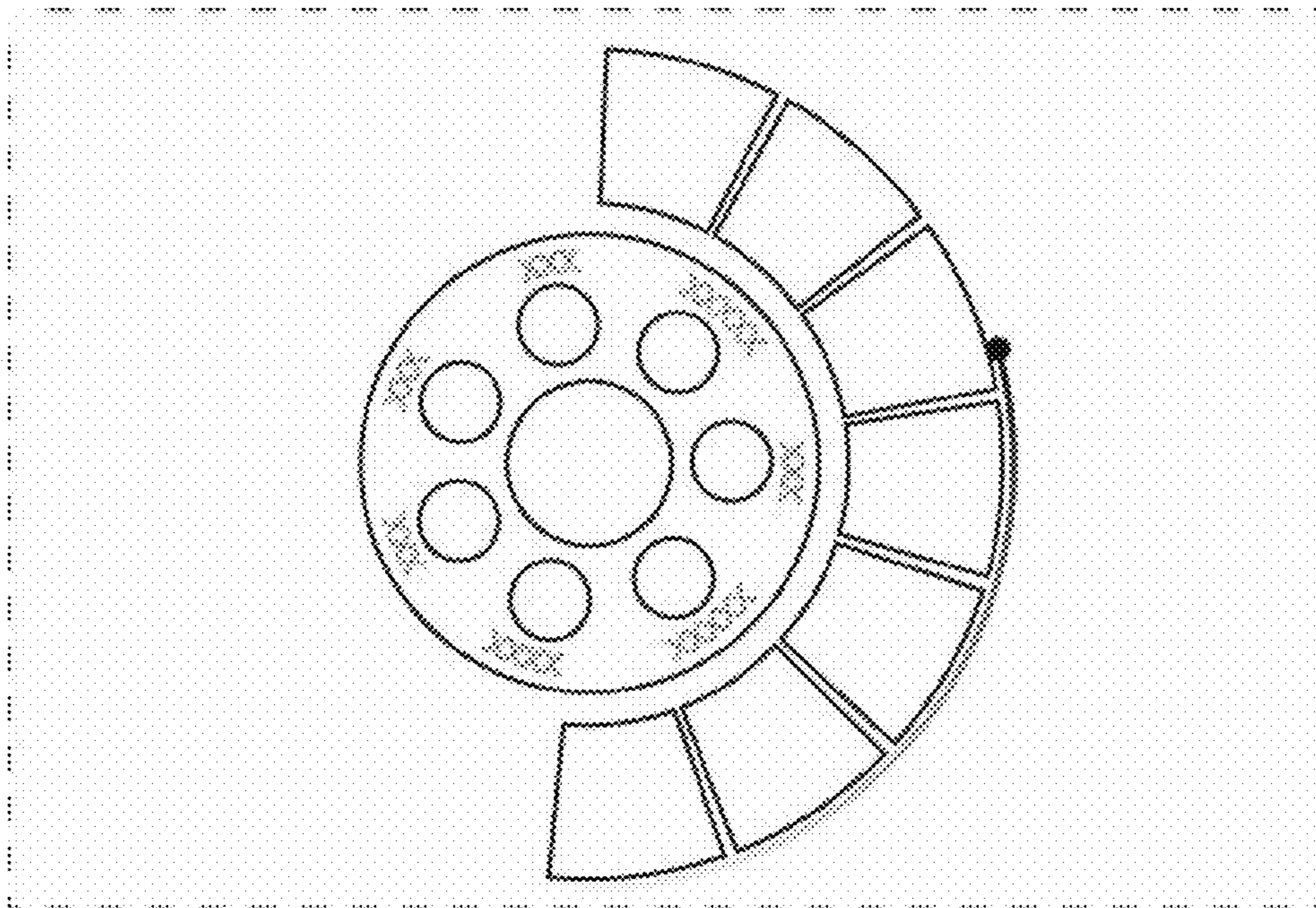


Fig. 2

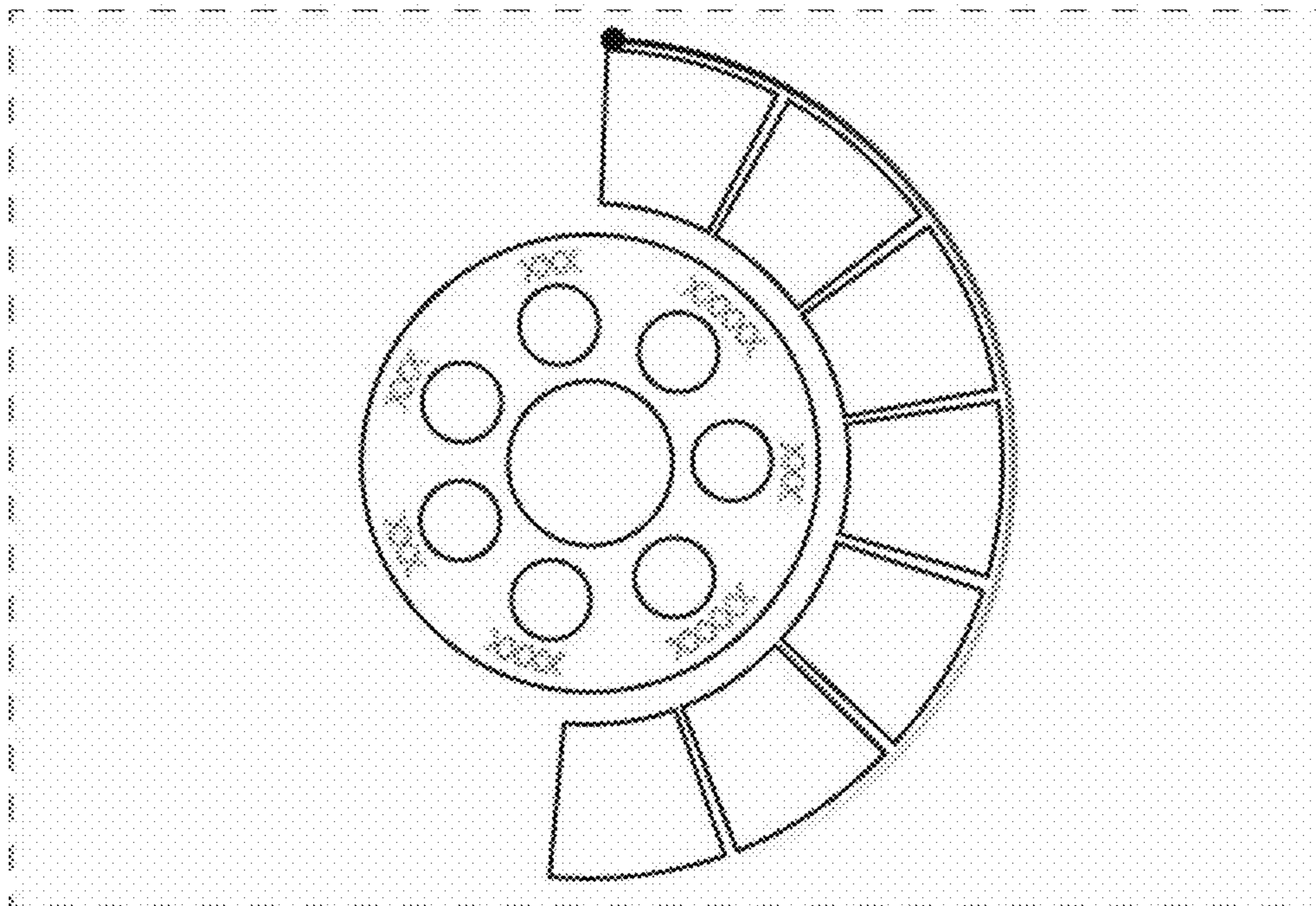


Fig. 3