



US00D736779S

(12) **United States Design Patent**
Moon et al.

(10) **Patent No.:** **US D736,779 S**
(45) **Date of Patent:** **** Aug. 18, 2015**

(54) **DISPLAY DEVICE STAND**

(56) **References Cited**

(71) Applicant: **Samsung Electronics Co., Ltd.**,
Suwon-si (KR)
(72) Inventors: **Sin-Wi Moon**, Seogwipo-Si (KR);
Kyoung-Hoon Kim, Sunnam-Si (KR)

U.S. PATENT DOCUMENTS

D543,208 S * 5/2007 Kita D14/451
D551,663 S * 9/2007 Kita D14/239
D558,743 S * 1/2008 Isshiki D14/239
D569,704 S * 5/2008 Ricereto D8/315
D618,244 S * 6/2010 Sweet et al. D14/432

(73) Assignee: **Samsung Electronics Co., Ltd.**,
Suwon-si (KR)

(Continued)

(**) Term: **14 Years**

Primary Examiner — Deanna L Pratt
Assistant Examiner — Katie Mroczka
(74) *Attorney, Agent, or Firm* — NSIP Law

(21) Appl. No.: **29/459,833**

(57) **CLAIM**
The ornamental design for a display device stand, as shown and described.

(22) Filed: **Jul. 3, 2013**

DESCRIPTION

(30) **Foreign Application Priority Data**

Jan. 4, 2013 (KR) 30-2013-0000634

(51) **LOC (10) Cl.** **14-02**

(52) **U.S. Cl.**
USPC **D14/448**

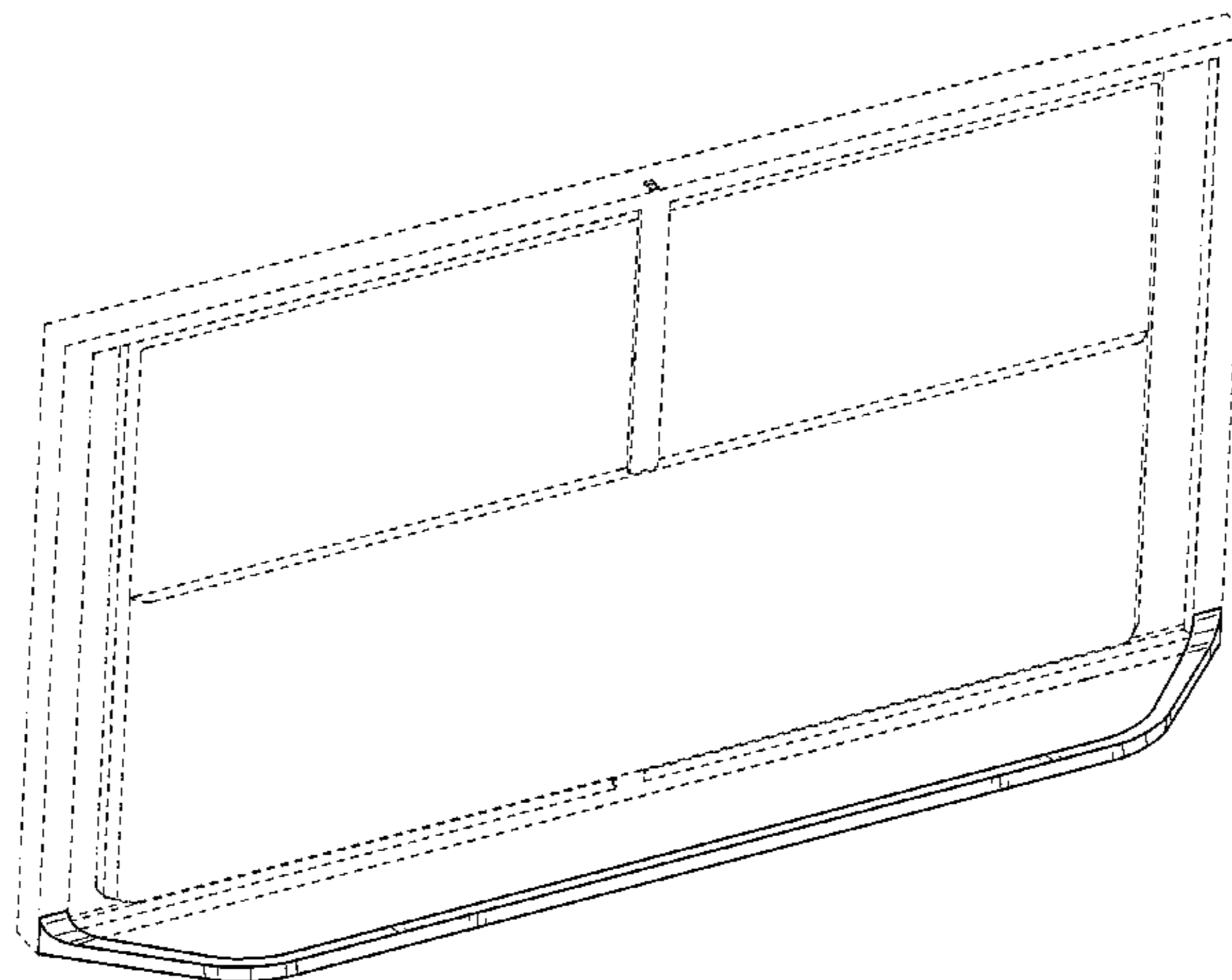
(58) **Field of Classification Search**
USPC D14/371–38, 125–129, 336, 337, 448,
D14/451, 452, 492, 211, 238, 251, 253, 352,
D14/447, 450, 239; 341/12; D6/300,
D6/310–313, 308, 708; 348/180, 184, 325,
348/739; 361/679.05–679.07, 679.21;
D8/315
CPC . G06F 3/0412; G06F 1/13338; G06F 3/3648;
G06F 3/016; G06F 3/0488; G06F 3/011;
G06F 3/038; G06F 3/03543; G06F 3/0338;
G06F 3/0202; G06F 3/0219; G06F 3/0213;
G06F 1/1616; G06F 3/023; G06F 3/04883;
G02F 1/1313; G02F 1/1333; G02F 1/135;
G02F 1/132; G02F 1/133308; G02F 1/134309;
G02F 1/13718; G06K 15/1252; B41J 2/465;
G03F 7/70291; G02B 27/0172; G02B 5/30;
G02B 2027/0118; G02B 27/0101

FIG. 1 is a perspective view of a display device stand, showing our new design;
FIG. 2 is a front view thereof;
FIG. 3 is a rear view thereof;
FIG. 4 is a left-side view thereof;
FIG. 5 is a right-side view thereof;
FIG. 6 is a top plan view thereof;
FIG. 7 is a bottom plan view thereof;
FIG. 8 is rear perspective view thereof;
FIG. 9 is another perspective view thereof with unclaimed display device;
FIG. 10 is a partial enlarged view of the portion A encircled in FIG. 1;
FIG. 11 is a partial enlarged view of the portion B encircled in FIG. 2;
FIG. 12 is a partial enlarged view of the portion C encircled in FIG. 3; and,
FIG. 13 is a partial enlarged view of the portion D encircled in FIG. 7.

The broken lines are for environmental purpose only and form no part of the claimed design. The dot-dash broken lines encircling portions of the claimed design that are illustrated in enlargements form no part of the claimed design. The shade lines in the figures show contour and not surface ornamentation.

See application file for complete search history.

1 Claim, 10 Drawing Sheets



(56)

References Cited

U.S. PATENT DOCUMENTS

D687,442 S * 8/2013 Nishimura D14/447
D699,699 S * 2/2014 Park et al. D14/126
D699,713 S * 2/2014 Seong D14/239
D704,198 S * 5/2014 Kim et al. D14/447

D713,806 S * 9/2014 Park et al. D14/126
D714,749 S * 10/2014 Park et al. D14/126
D716,245 S * 10/2014 Kim D14/126
D716,308 S * 10/2014 Park et al. D14/432
D718,604 S * 12/2014 Boo et al. D8/315
D719,539 S * 12/2014 Ryu et al. D14/126

* cited by examiner

FIG. 1

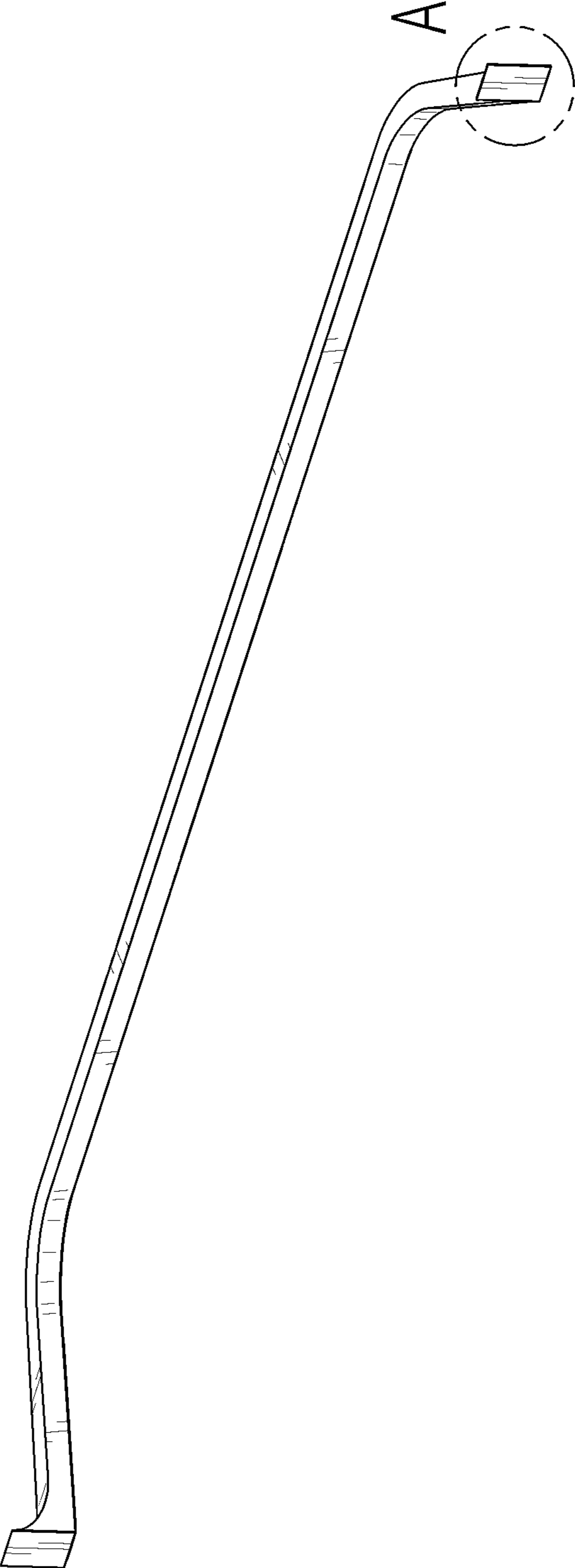


FIG. 2

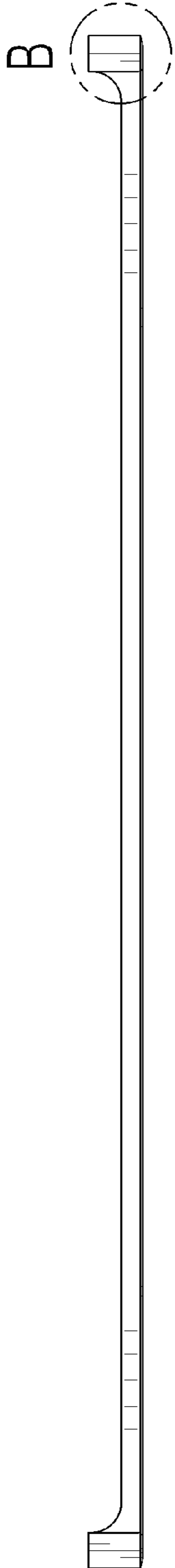


FIG. 3

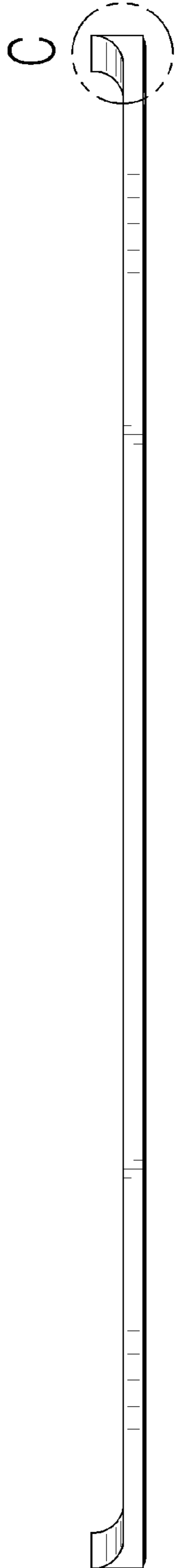


FIG. 4

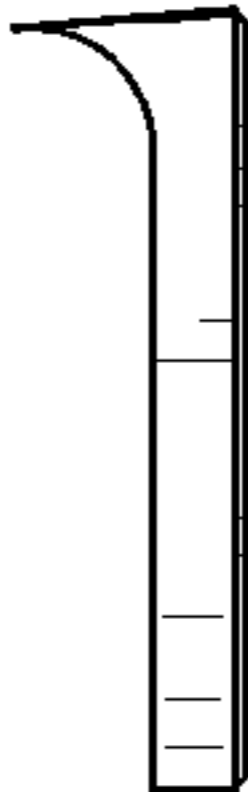


FIG. 5



FIG. 6



FIG. 7

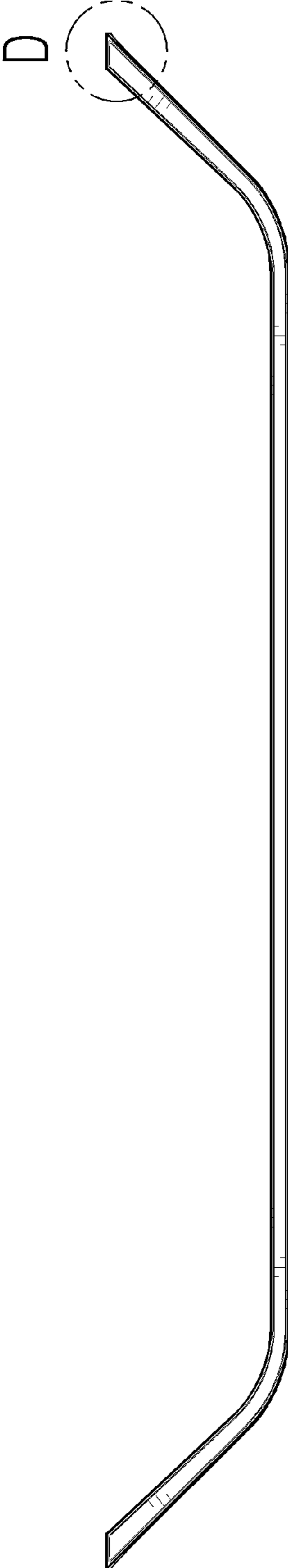


FIG. 8

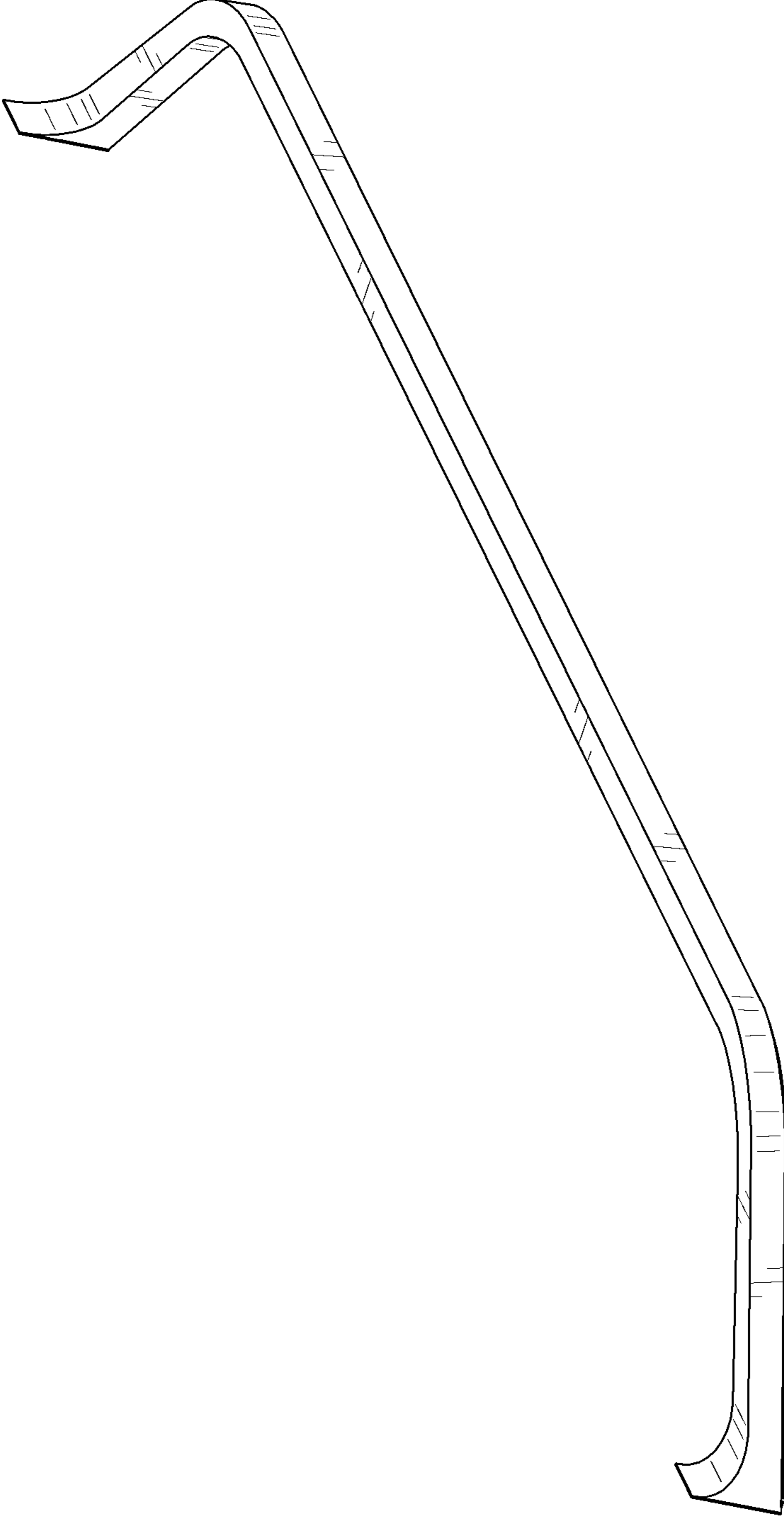


FIG. 9

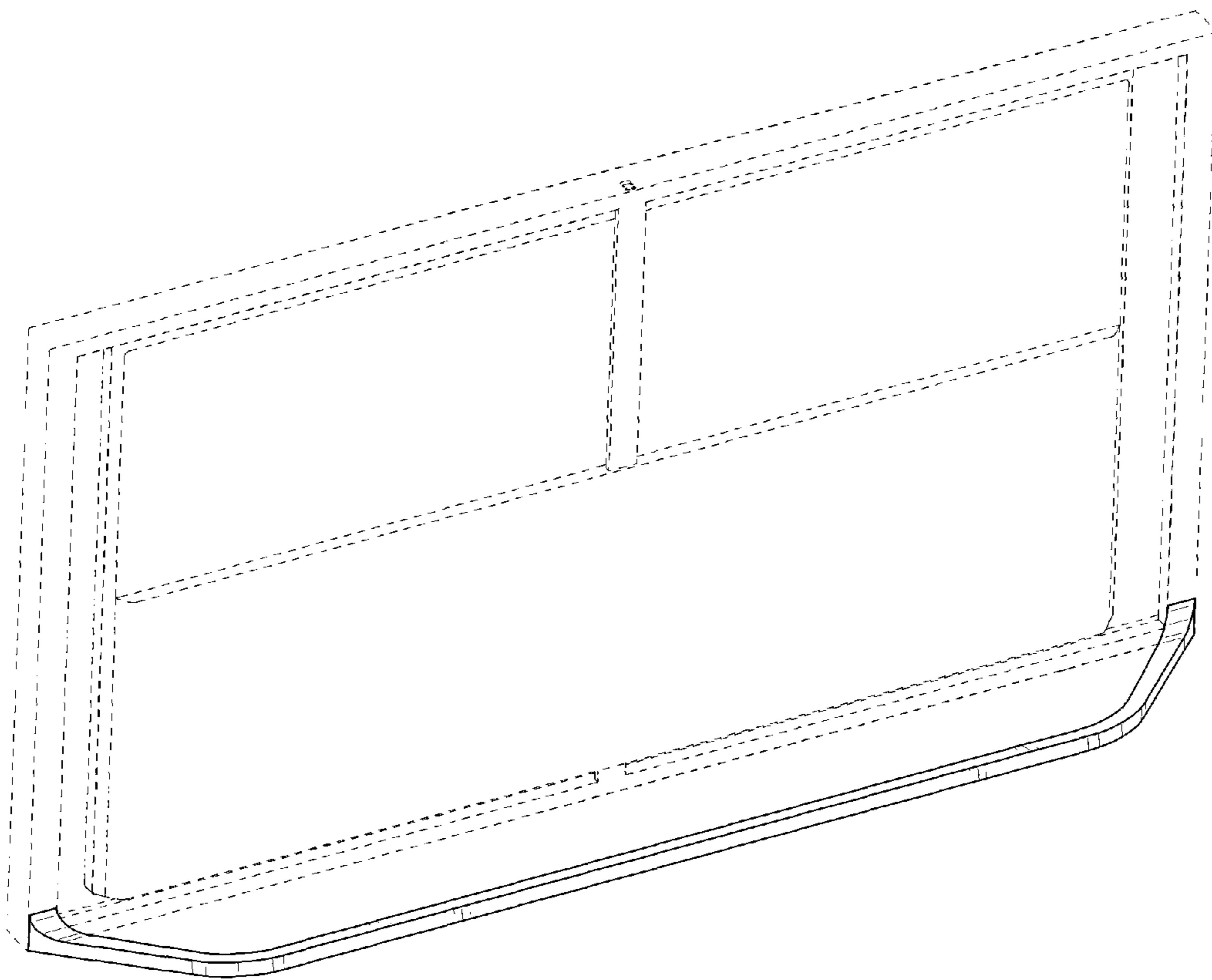


FIG. 10

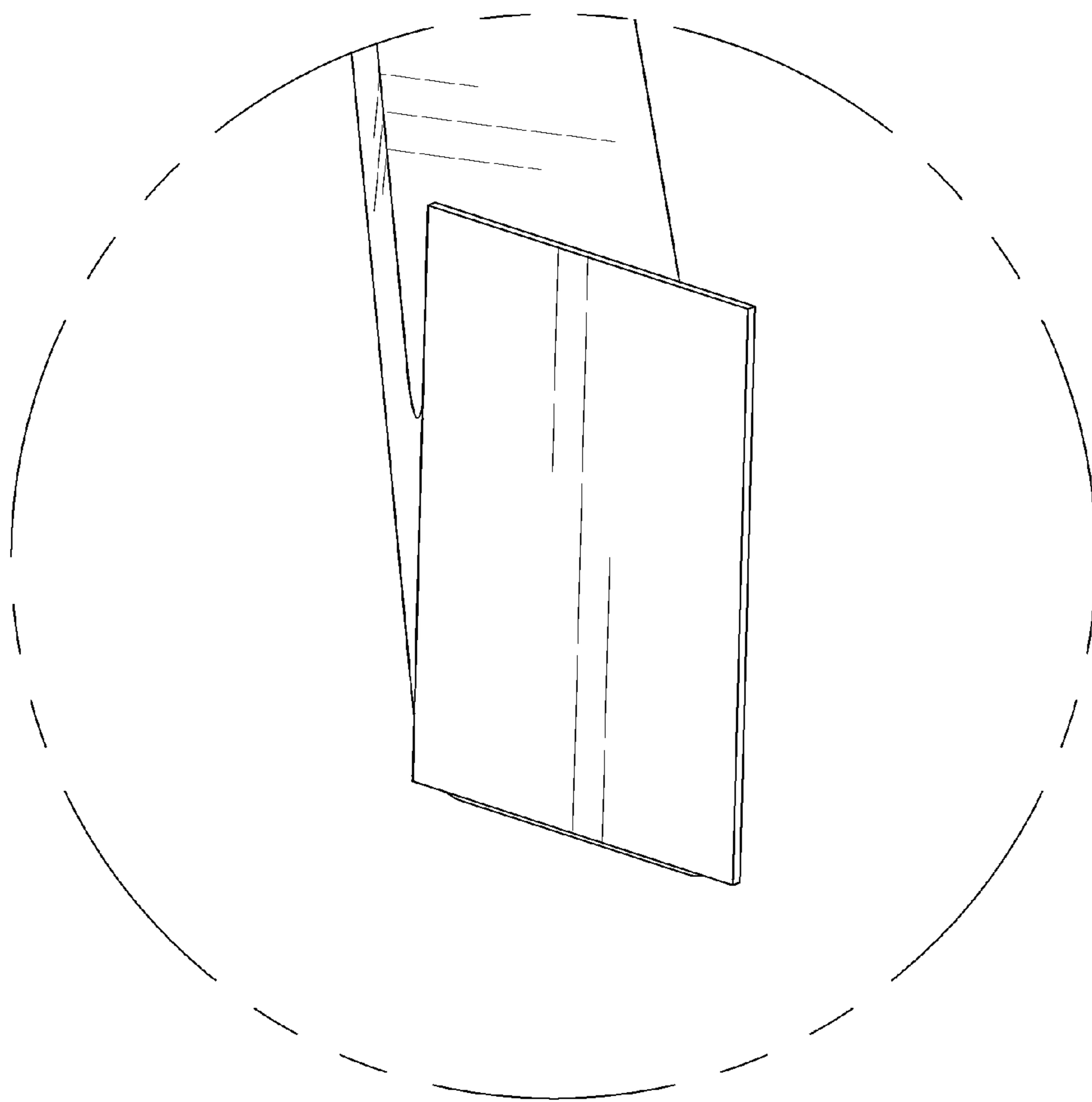


FIG. 11

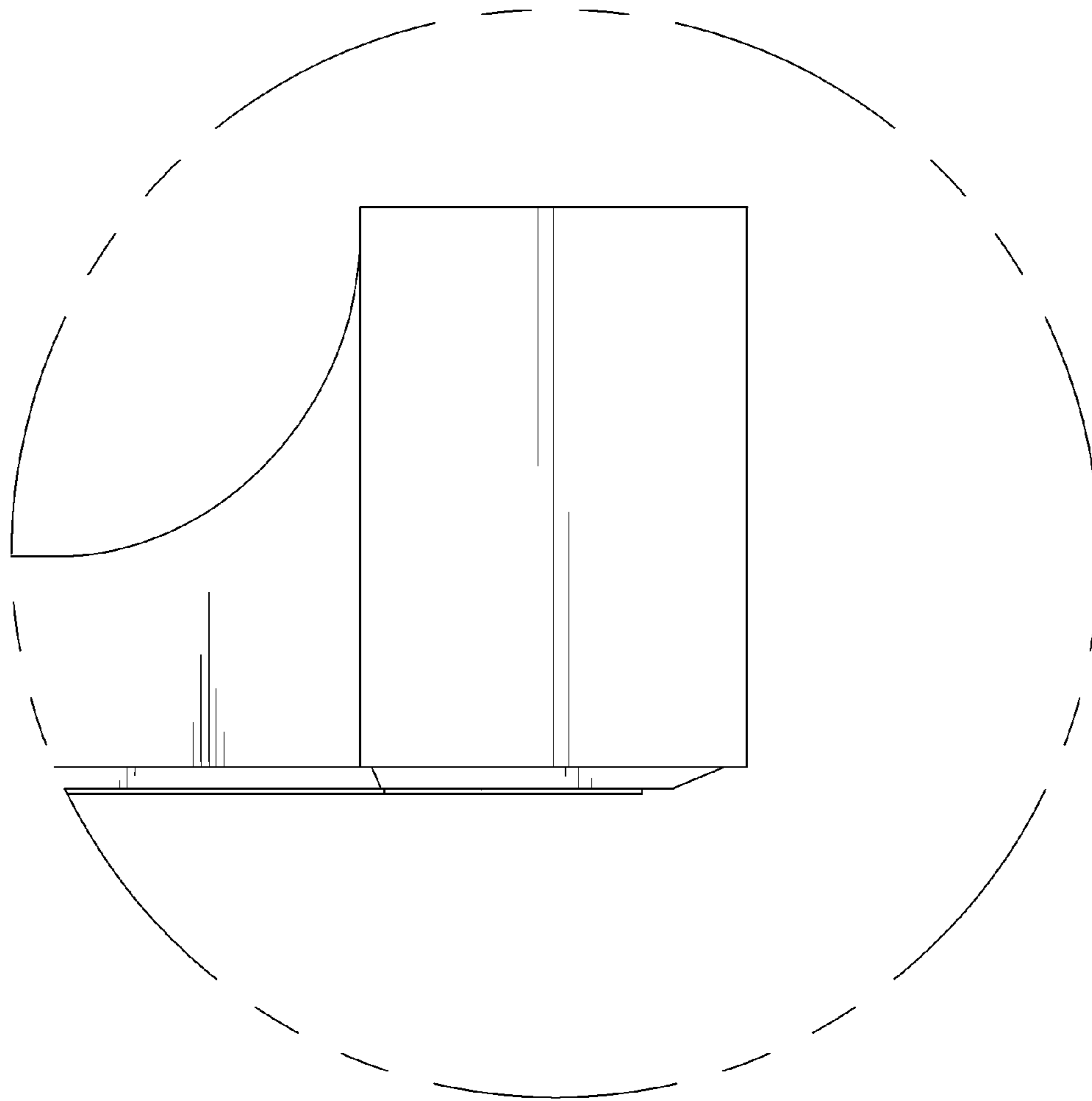


FIG. 12

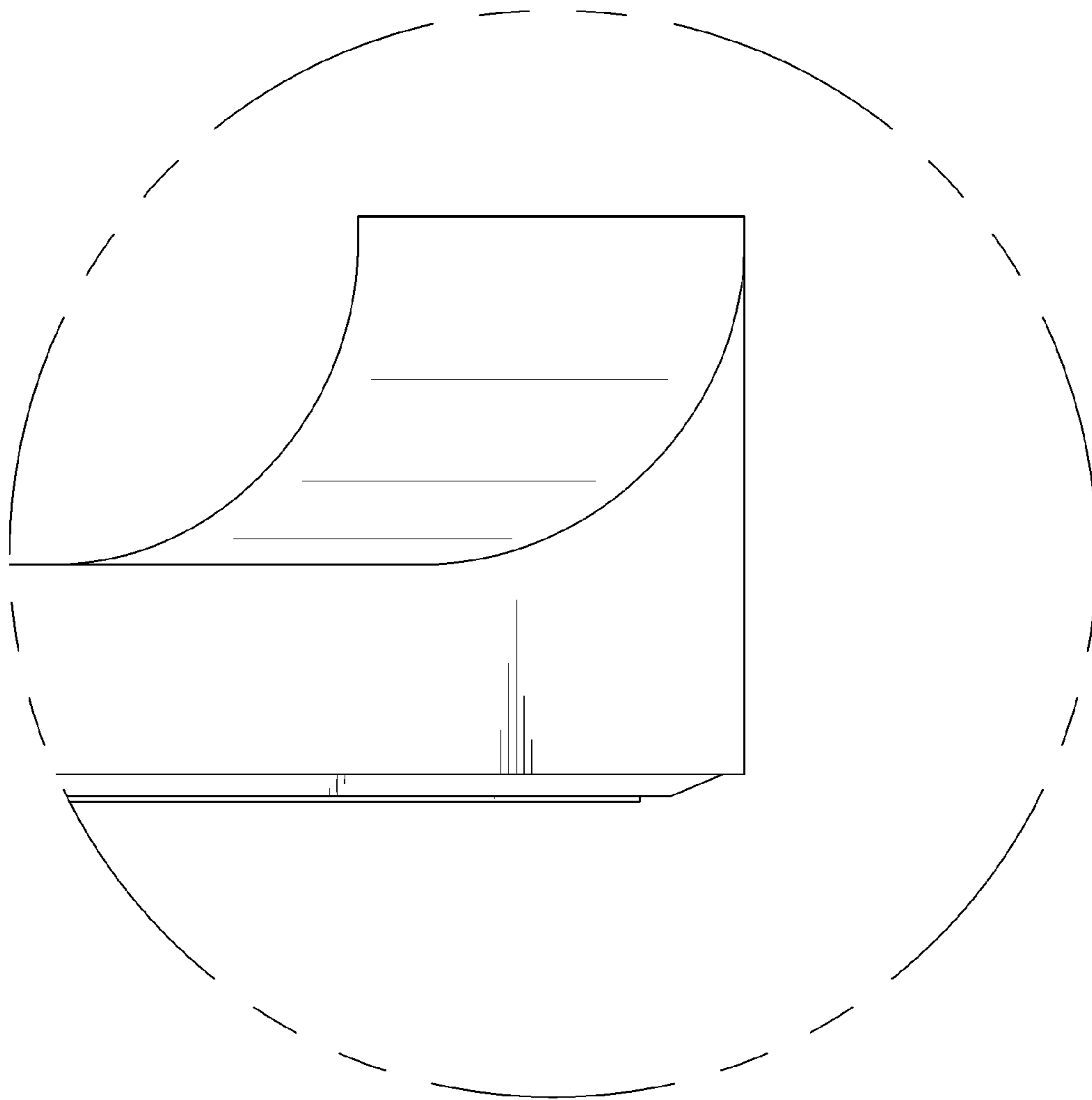


FIG. 13

