

US00D736778S

(12) **United States Design Patent**
Martin et al.

(10) **Patent No.:** **US D736,778 S**

(45) **Date of Patent:** **** Aug. 18, 2015**

(54) **AUTOMOTIVE SEAT MOUNTABLE TABLET
COMPUTER HOLDING DEVICE**

(56) **References Cited**

U.S. PATENT DOCUMENTS

(71) Applicant: **Hopkins Manufacturing Corporation**,
Emporia, KS (US)

D373,600	S	*	9/1996	Oimas	D19/91
D473,840	S	*	4/2003	Sauer	D12/416
D619,079	S	*	7/2010	Bailo	D12/416
7,812,784	B2	*	10/2010	Chang	345/1.1
D670,295	S	*	11/2012	Prescott et al.	D14/447
D685,376	S	*	7/2013	Kim	D14/439
D687,039	S	*	7/2013	Wyers	D14/439
D692,897	S	*	11/2013	Luijben	D14/447
D697,516	S	*	1/2014	Feldstein et al.	D14/447
2006/0092127	A1	*	5/2006	Chen	345/156
2006/0104014	A1	*	5/2006	Cherone et al.	361/681
2013/0193174	A1	*	8/2013	Ackeret et al.	224/275
2014/0346167	A1	*	11/2014	De Angelis	220/4.22

(72) Inventors: **Doug Martin**, Emporia, KS (US); **Kyle M. Bennett**, Emporia, KS (US); **David E. Hoffman**, Emporia, KS (US); **Brent Windsor**, Emporia, KS (US)

(73) Assignee: **Hopkins Manufacturing Corporation**,
Emporia, KS (US)

* cited by examiner

(**) Term: **14 Years**

Primary Examiner — Angela J Lee

(21) Appl. No.: **29/498,348**

(74) *Attorney, Agent, or Firm* — George R. McGuire; Bond Schoeneck & King, PLLC

(22) Filed: **Aug. 1, 2014**

(51) **LOC (10) Cl.** **08-03**

(57) **CLAIM**

The ornamental design for an automotive seat mountable tablet computer holding device, as shown and described.

(52) **U.S. Cl.**

DESCRIPTION

USPC **D14/447**

(58) **Field of Classification Search**

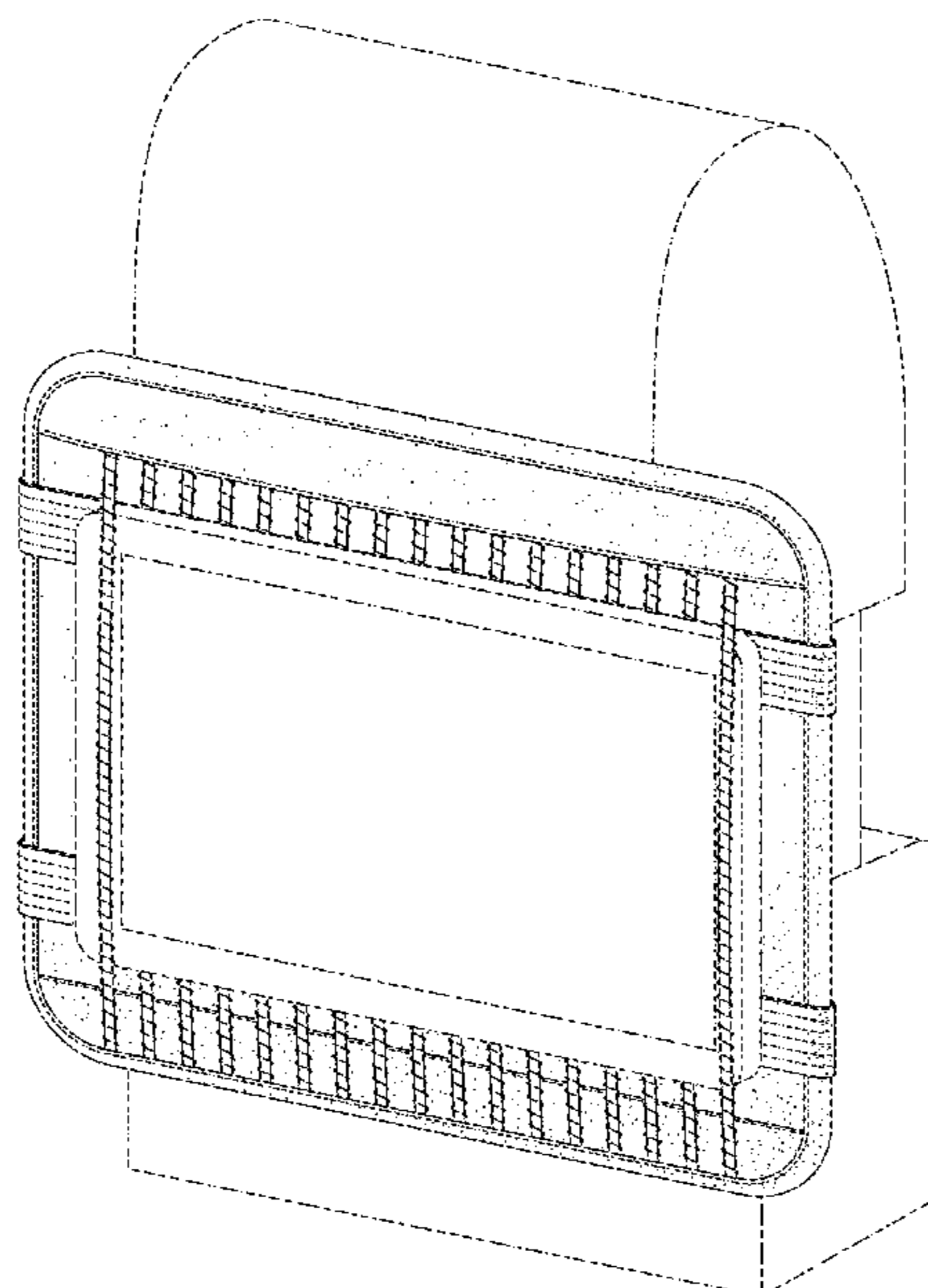
USPC D14/447, 451, 452, 439, 440, 432, 457,
D14/460, 461, 217, 239, 251, 253;
D6/406.3, 406.4, 406.5, 406.6;
248/460, 917-924, 150, 176.1, 177.1,
248/181.1, 188.7; 361/679.02, 679.06,
361/679.07, 679.09, 679.21, 679.22,
361/679.26, 679.27, 679.3, 679.55, 679.56;
D8/363, 373, 380

FIG. 1 is a perspective view of a new and ornamental automotive seat mountable tablet computer holding device; FIG. 2 is a front elevation view thereof; FIG. 3 is a rear elevation view thereof; FIG. 4 is a first side elevation view thereof; FIG. 5 is a second side elevation view thereof; FIG. 6 is a top plan view thereof; FIG. 7 is a bottom plan view thereof; and, FIG. 8 is a perspective view thereof mounted on an automotive seat and holding a tablet computer, the seat and counter being shown in phantom for environment only and forming no part of the claimed design, and the dash-dash lines shown in the figures are claimed stitching.

CPC F16M 2200/00; F16M 13/00; A45C 2011/003; A45C 2011/002; A47B 2023/049; A47B 2097/005; A47B 2097/006; A47B 21/04

See application file for complete search history.

1 Claim, 6 Drawing Sheets



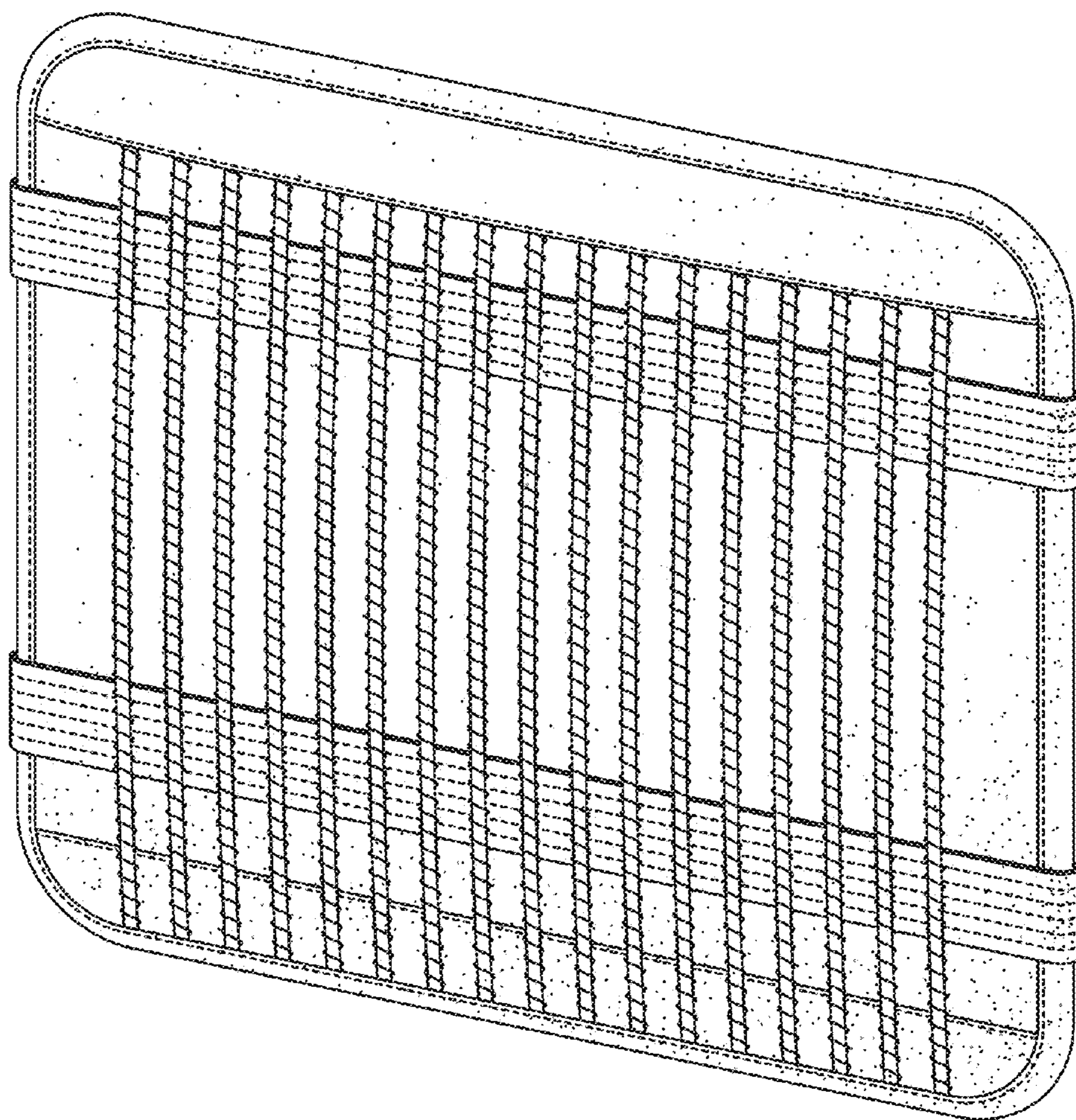


FIG. 1

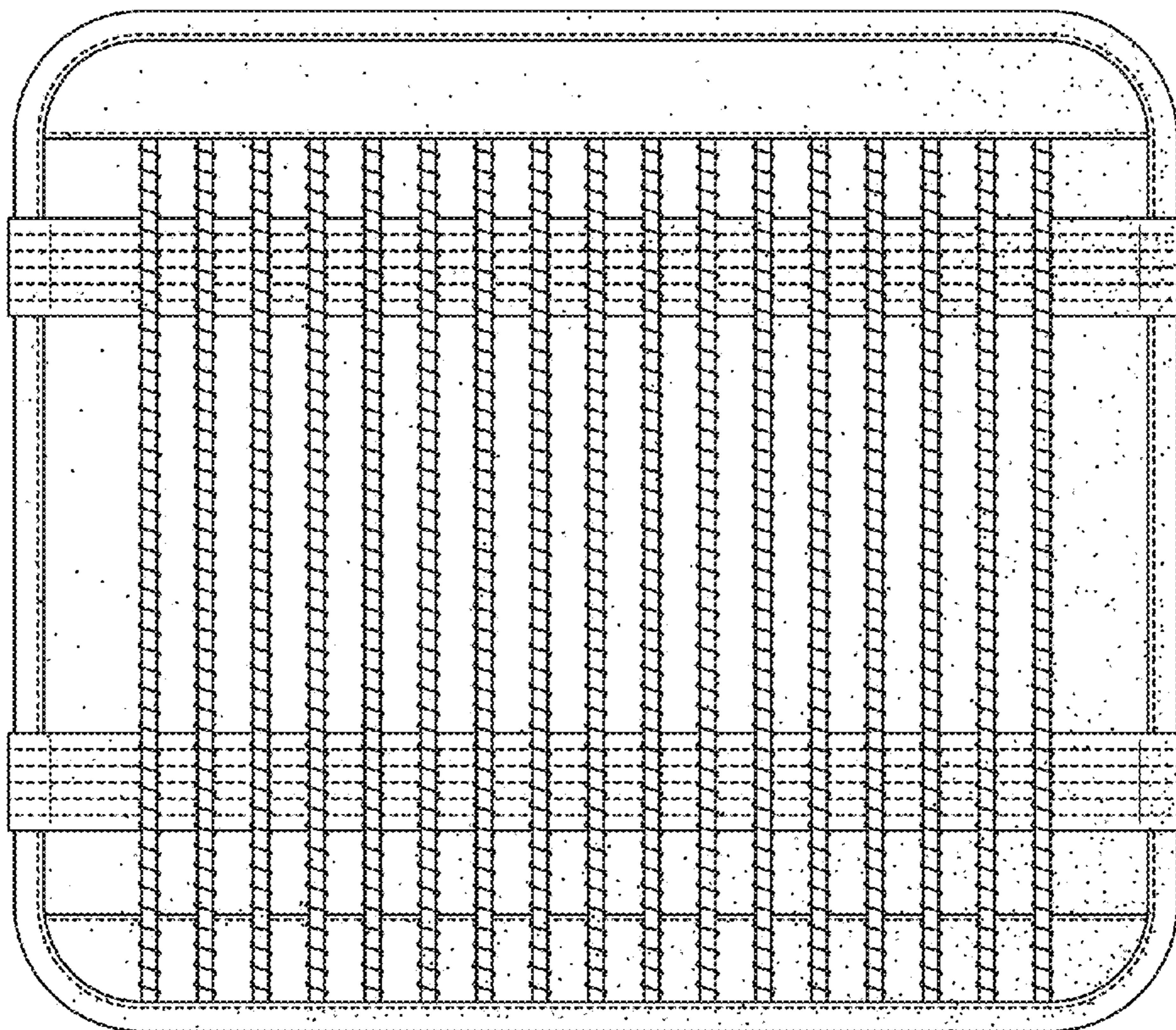


FIG. 2

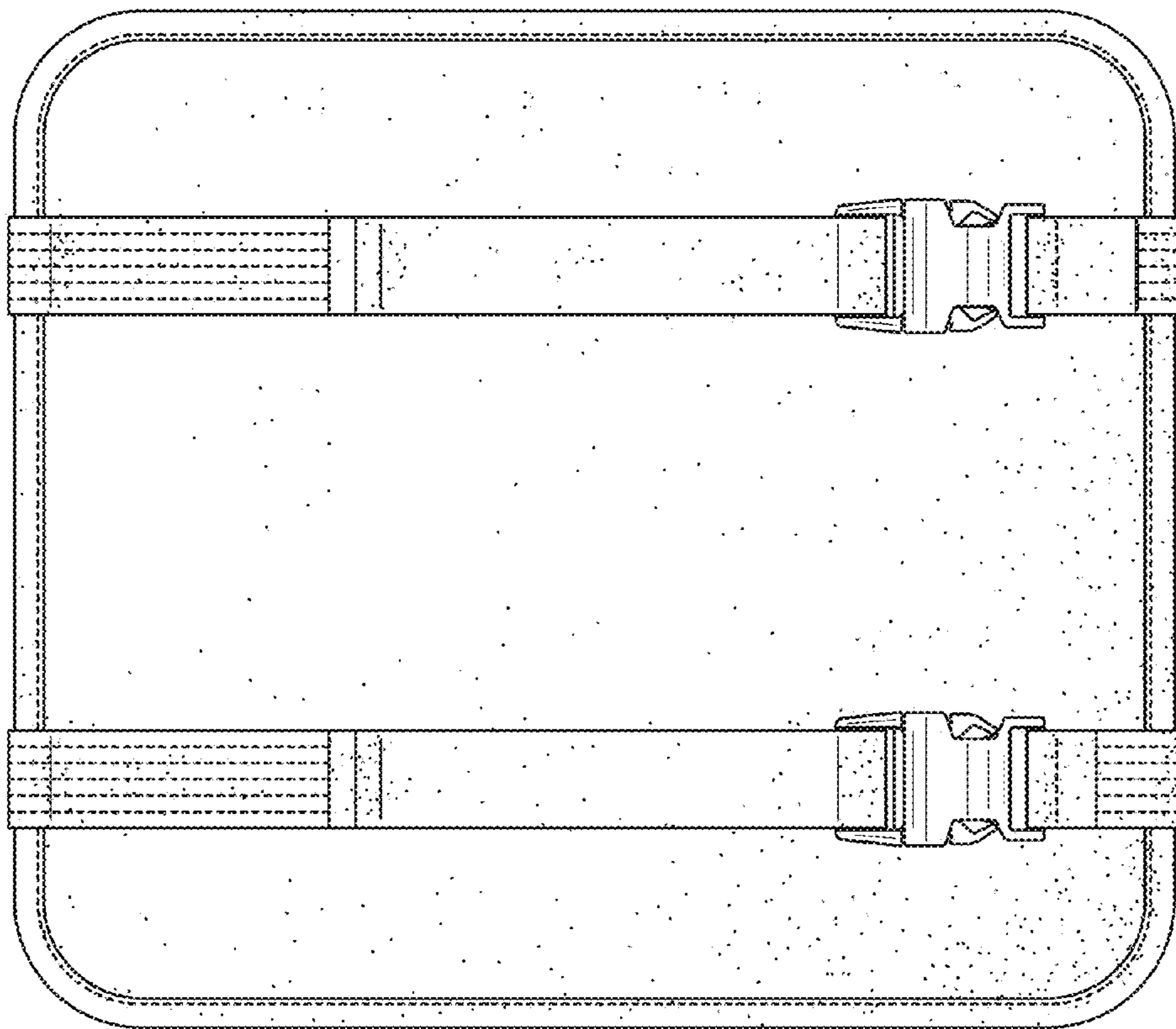


FIG. 3



FIG. 4

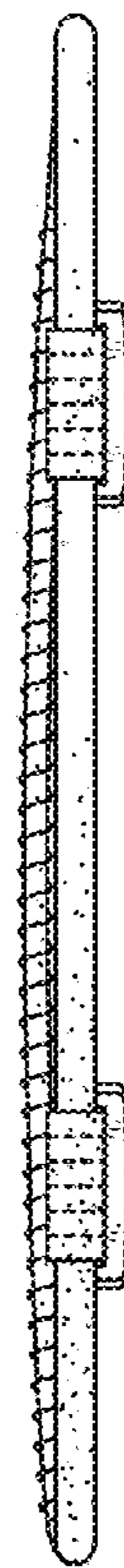


FIG. 5



FIG. 6



FIG. 7

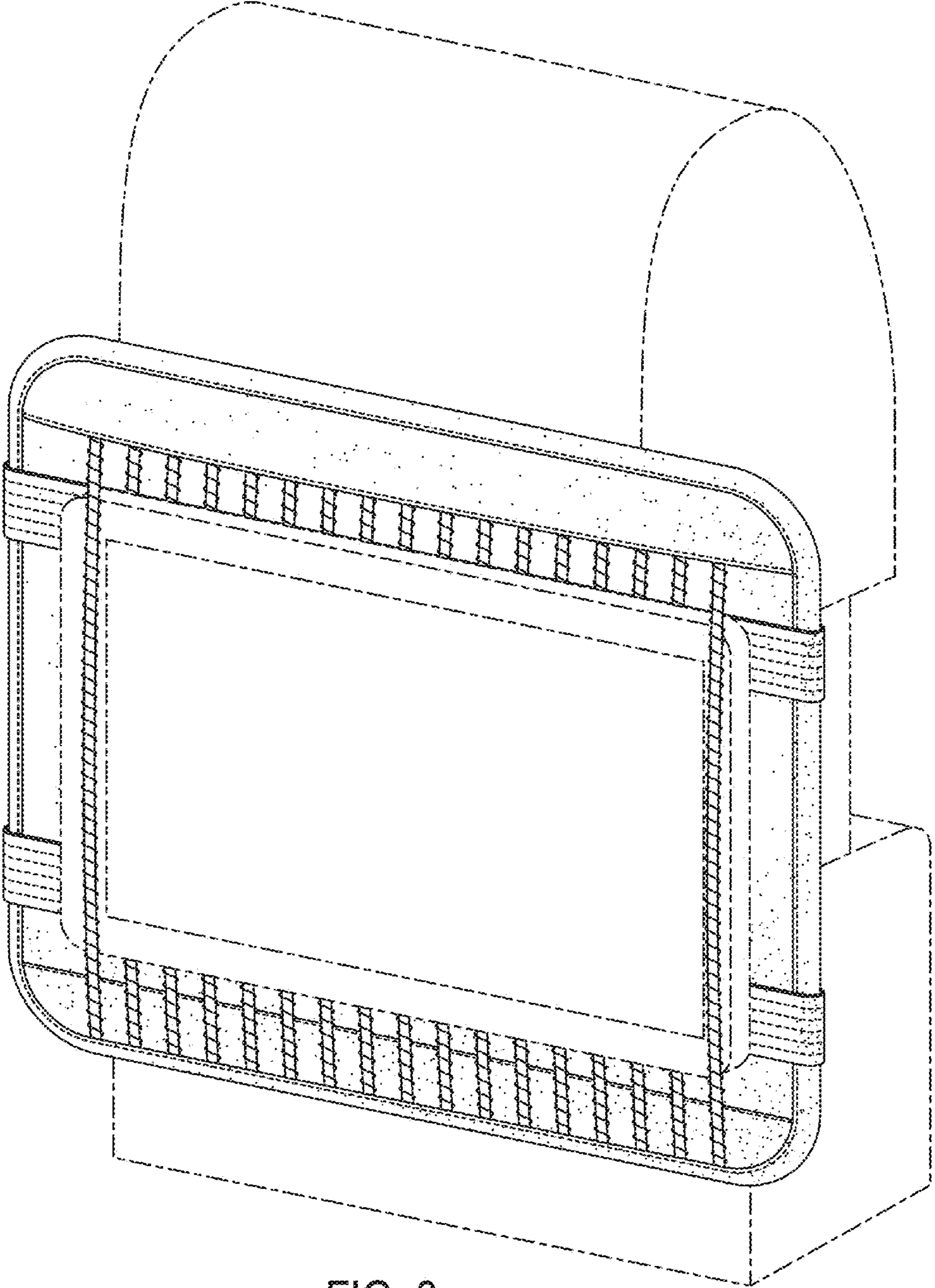


FIG. 8