



US00D736774S

(12) **United States Design Patent**  
**Ahn et al.**

(10) **Patent No.:** **US D736,774 S**  
(45) **Date of Patent:** **\*\* Aug. 18, 2015**

(54) **AUTOMOTIVE DOCKING STATION**

(71) Applicant: **Google Inc.**, Mountain View, CA (US)

(72) Inventors: **YooJung Ahn**, Cupertino, CA (US);  
**Peter Craig Lombrozo**, Santa Cruz, CA (US)

(73) Assignee: **Google Inc.**, Mountain View, CA (US)

(\*\*) Term: **14 Years**

(21) Appl. No.: **29/485,332**

(22) Filed: **Mar. 18, 2014**

**Related U.S. Application Data**

(62) Division of application No. 29/438,375, filed on Nov. 29, 2012, now Pat. No. Des. 704,191.

(51) **LOC (10) Cl.** ..... **14-02**

(52) **U.S. Cl.**  
USPC ..... **D14/434**

(58) **Field of Classification Search**

USPC ..... D14/432-434, 314, 204, 420, 421, 447,  
D14/217, 358, 138 R, 140, 142; D13/107,  
D13/108, 146; D8/373; 248/346.03, 176.1;  
361/679.41, 679.31, 679.32, 679.4,  
361/679.43, 679.55, 679.58, 679.33;  
320/109, 112-115; 710/15, 303;  
455/557; 439/347, 534; D6/512, 574;  
D12/400, 415

CPC ..... H02J 7/0042; H02J 7/00; H01R 31/065;  
H01M 10/44; F16M 11/10

See application file for complete search history.

(56) **References Cited**

**U.S. PATENT DOCUMENTS**

D242,313 S 11/1976 Stentz  
D398,796 S 9/1998 Fauchald et al.  
D477,604 S 7/2003 Lin

D540,327 S 4/2007 Wong et al.  
D552,611 S 10/2007 Hagiwara et al.  
D599,801 S 9/2009 Skaf et al.  
D630,579 S \* 1/2011 Fahrendorff et al. .... D13/108  
D631,007 S \* 1/2011 Smith et al. .... D13/108  
D631,008 S \* 1/2011 Kuroda et al. .... D13/108  
D631,009 S \* 1/2011 Son et al. .... D13/108  
D639,813 S \* 6/2011 Kuroda et al. .... D14/447  
D648,339 S 11/2011 O'Neil et al.  
D659,092 S \* 5/2012 Kawano et al. .... D13/108  
D662,470 S \* 6/2012 Smith et al. .... D13/108  
D682,840 S 5/2013 Tsai et al.

\* cited by examiner

*Primary Examiner* — Freda S Nunn

(74) *Attorney, Agent, or Firm* — Lerner, David, Littenberg, Krumholz & Mentlik, LLP

(57) **CLAIM**

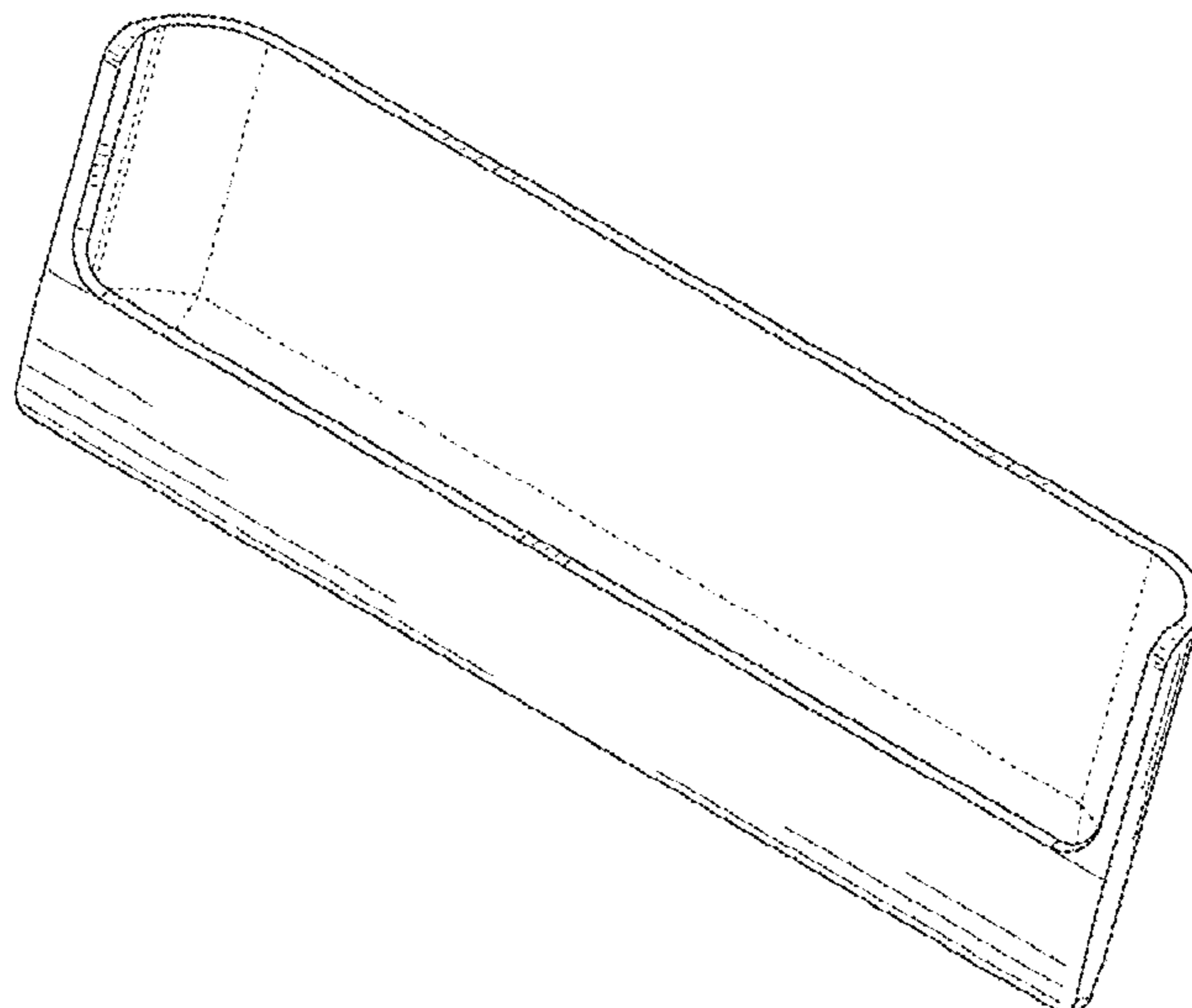
The ornamental design for an automotive docking station, as shown and described.

**DESCRIPTION**

FIG. 1 is a front perspective view of an automotive docking station according to the design;  
FIG. 2 is a rear perspective view thereof;  
FIG. 3 is a front elevation view thereof;  
FIG. 4 is a rear elevation view thereof;  
FIG. 5 is a right side elevation view thereof;  
FIG. 6 is a left side elevation view thereof;  
FIG. 7 is a top view thereof;  
FIG. 8 is a bottom view thereof; and,  
FIG. 9 is a front perspective view thereof shown in connection with additional environmental features that can be associated therewith.

The features shown in broken lines are environmental only and form no part of the claimed design.  
Dash-dot lines adjacent un-shaded areas represent bounds of the claimed design and themselves form no part of the claimed design.

**1 Claim, 6 Drawing Sheets**



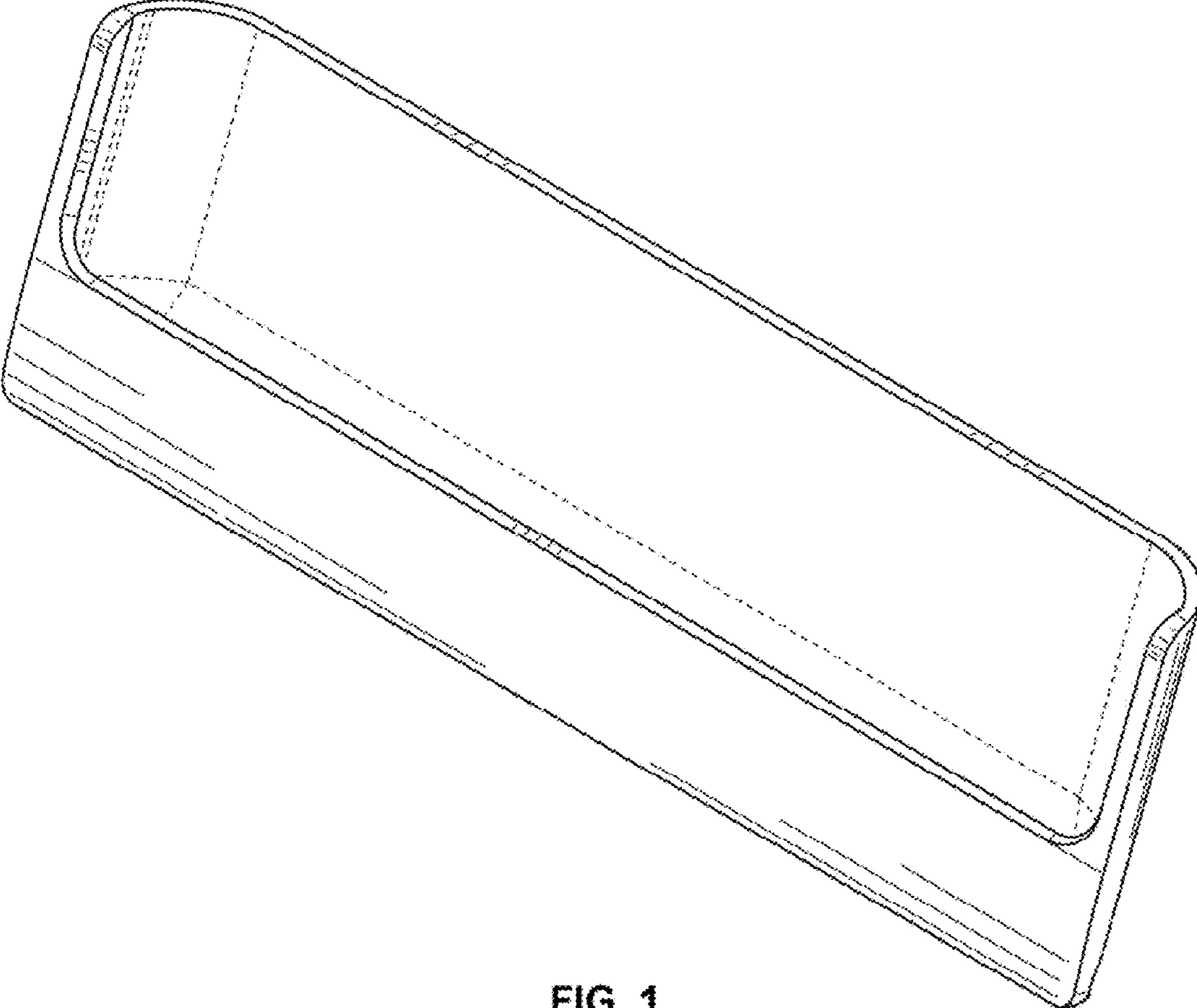


FIG. 1

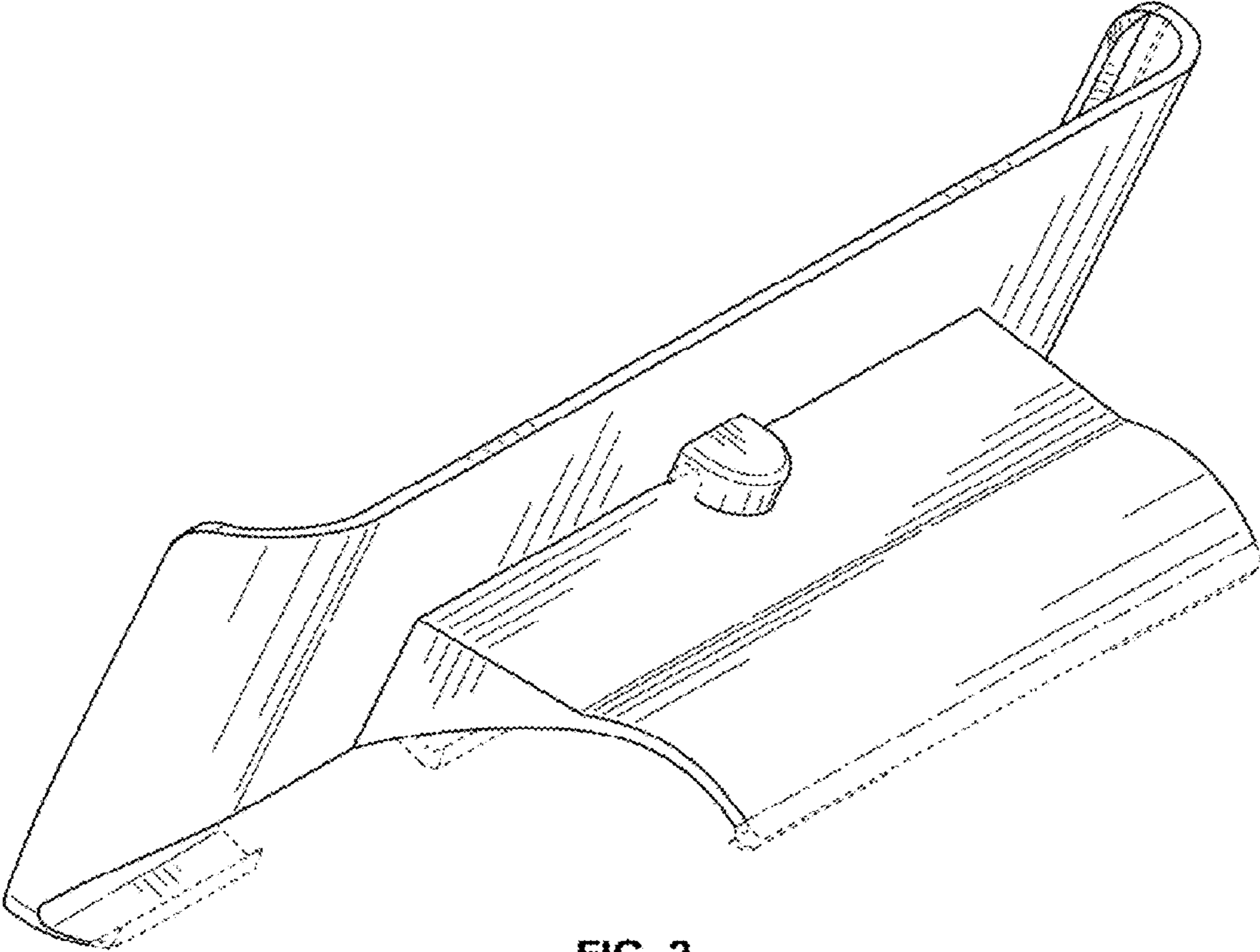


FIG. 2

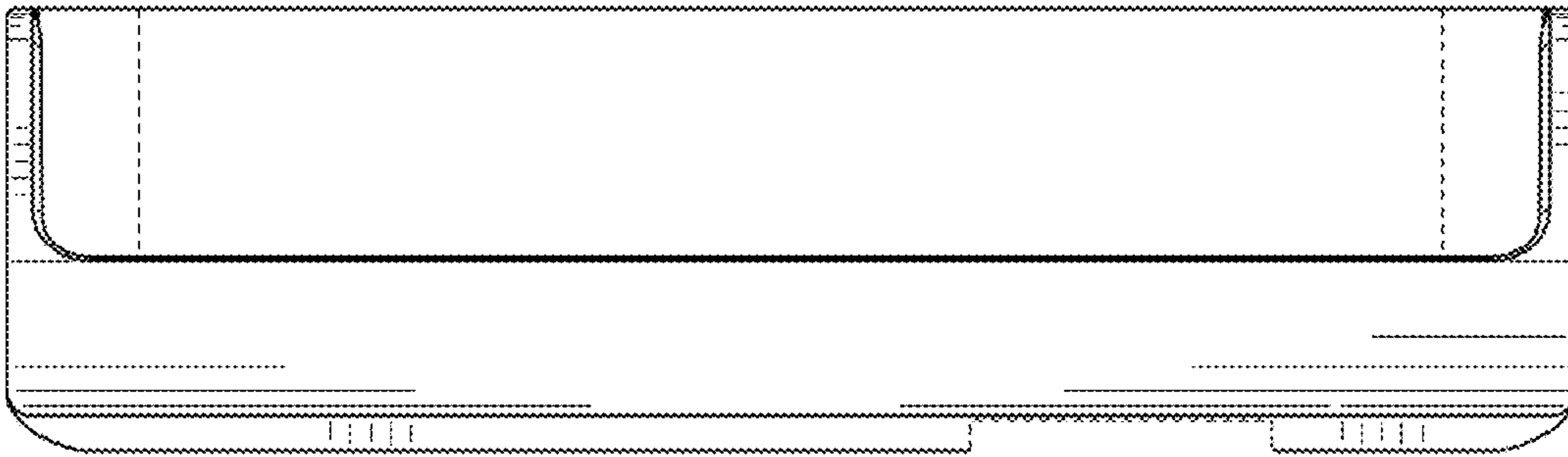


FIG. 3

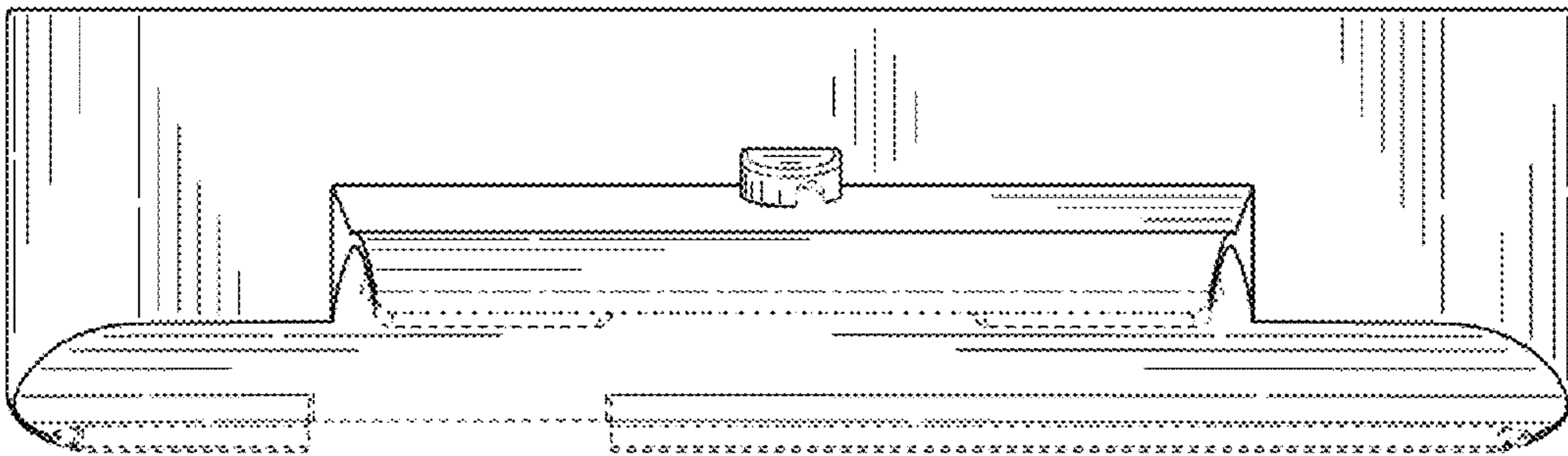


FIG. 4

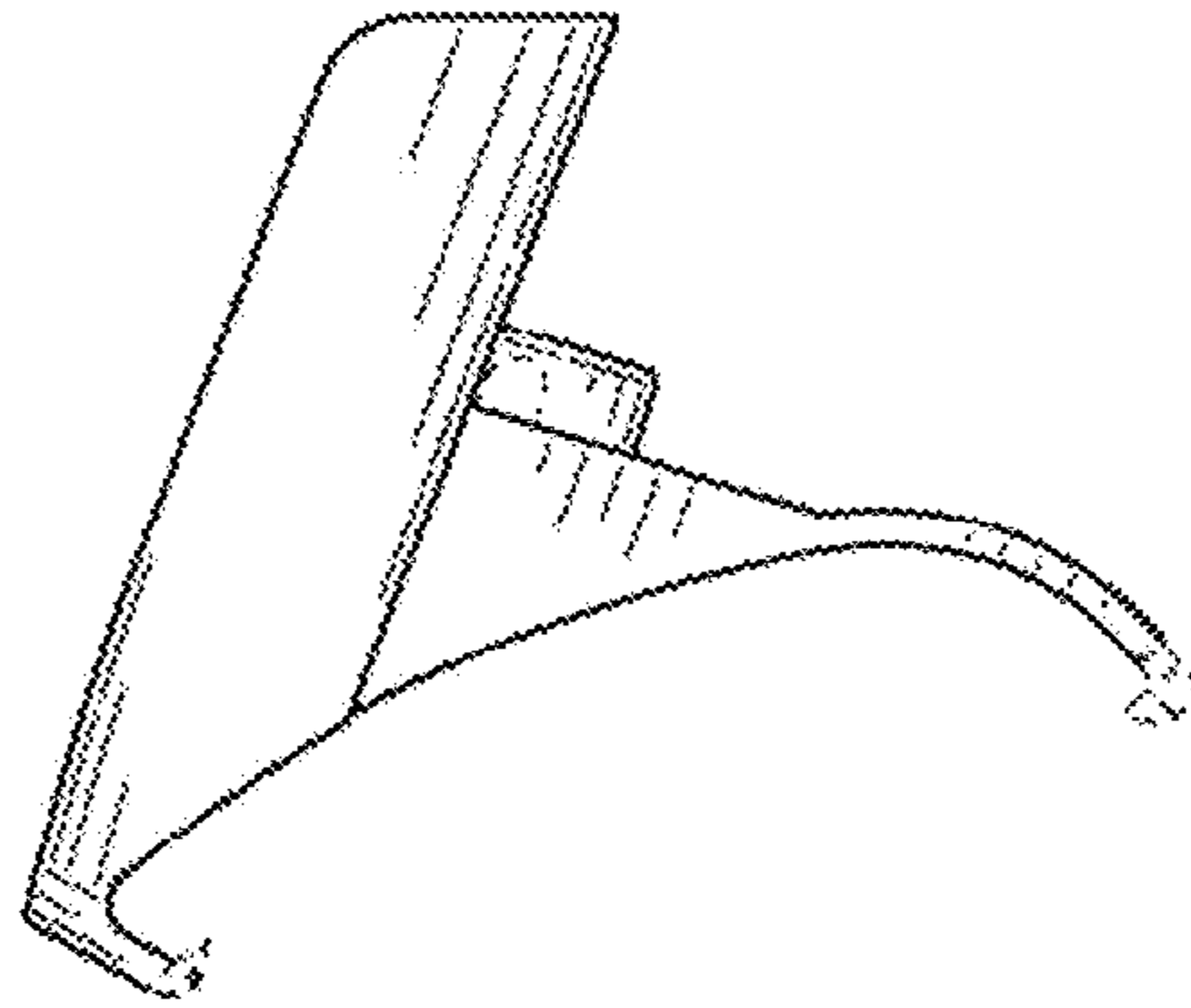


FIG. 5

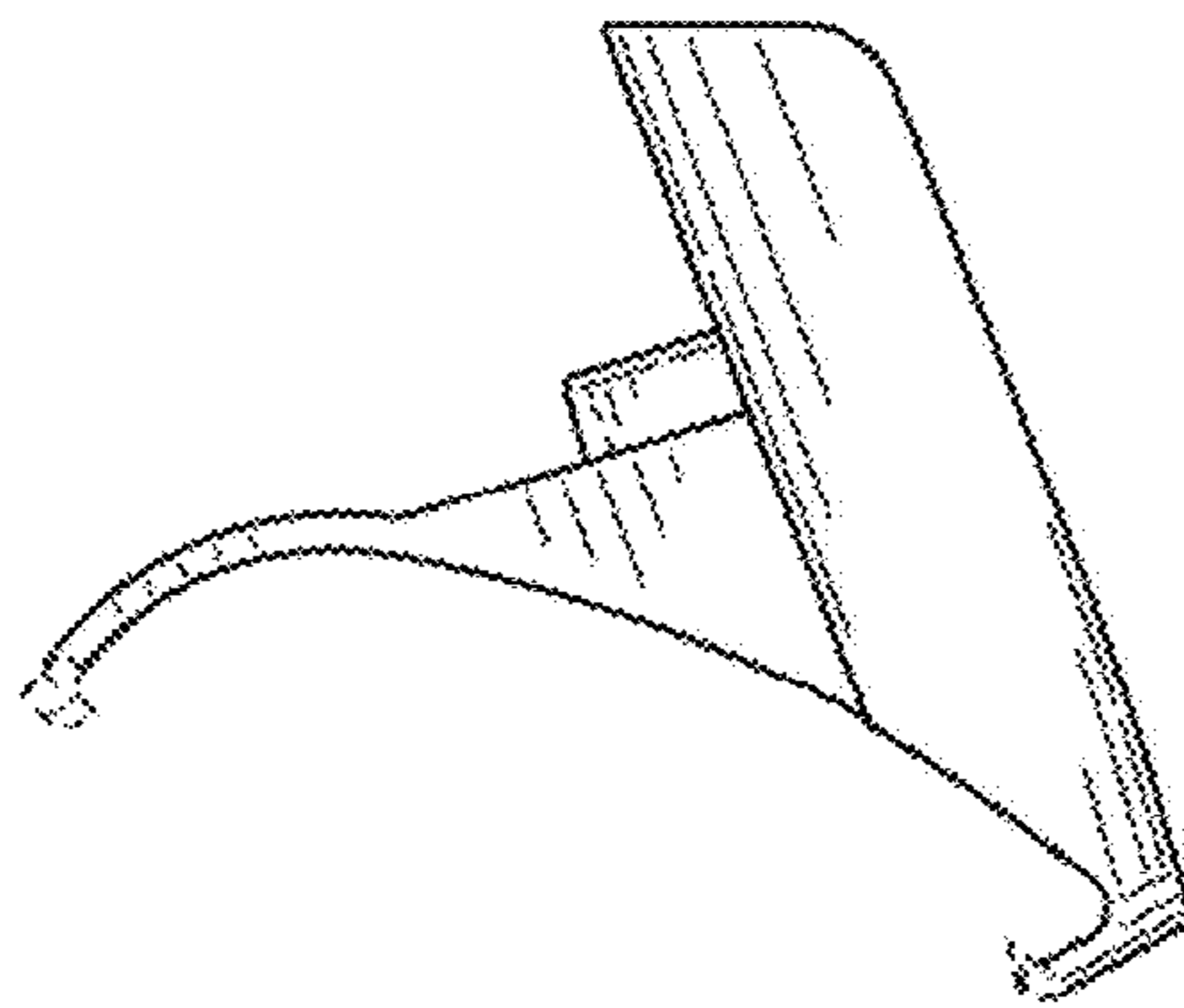


FIG. 6

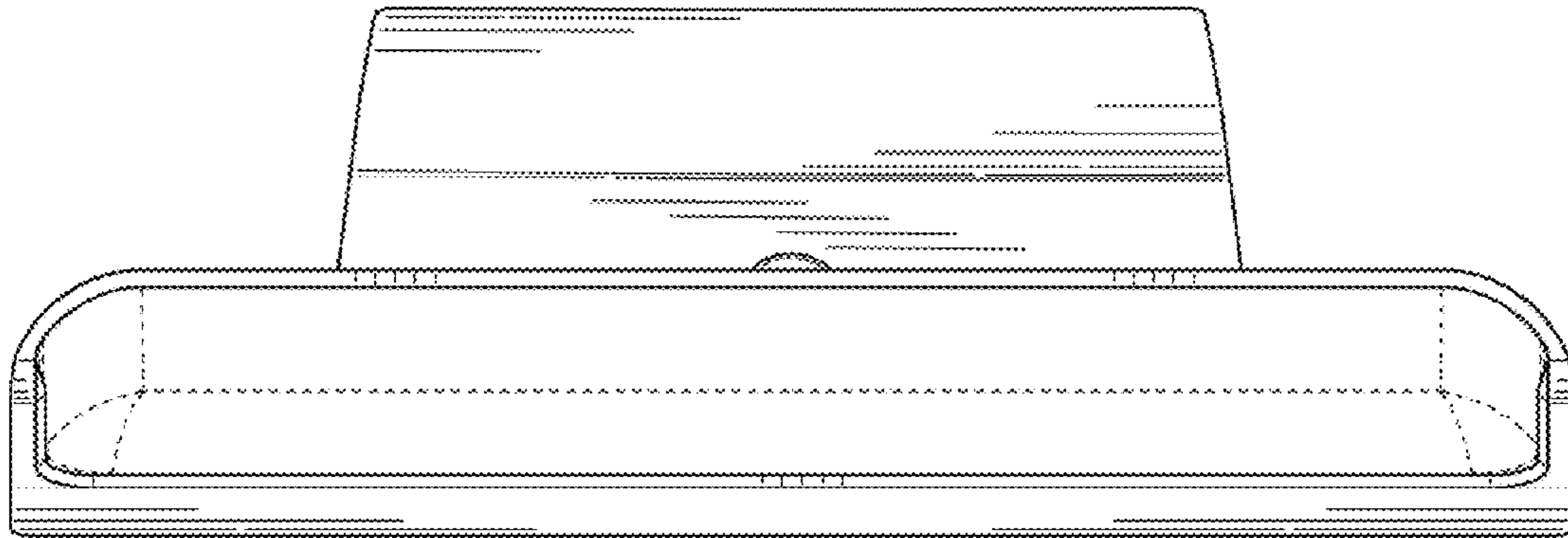


FIG. 7

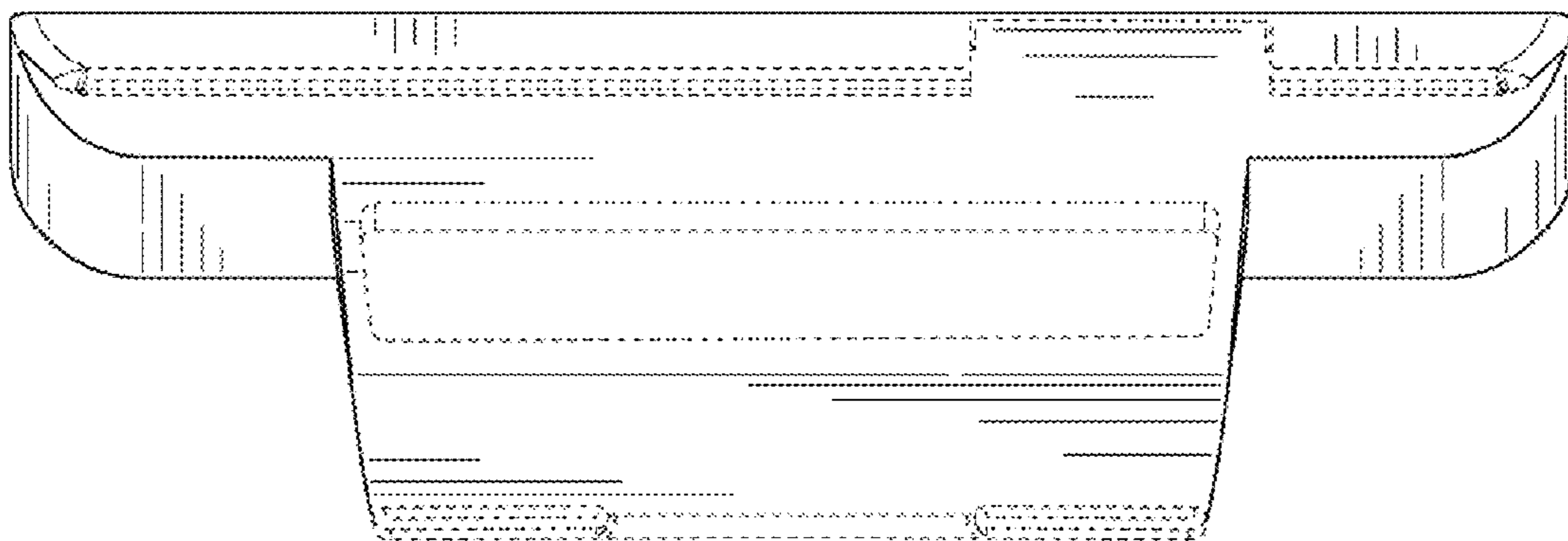


FIG. 8

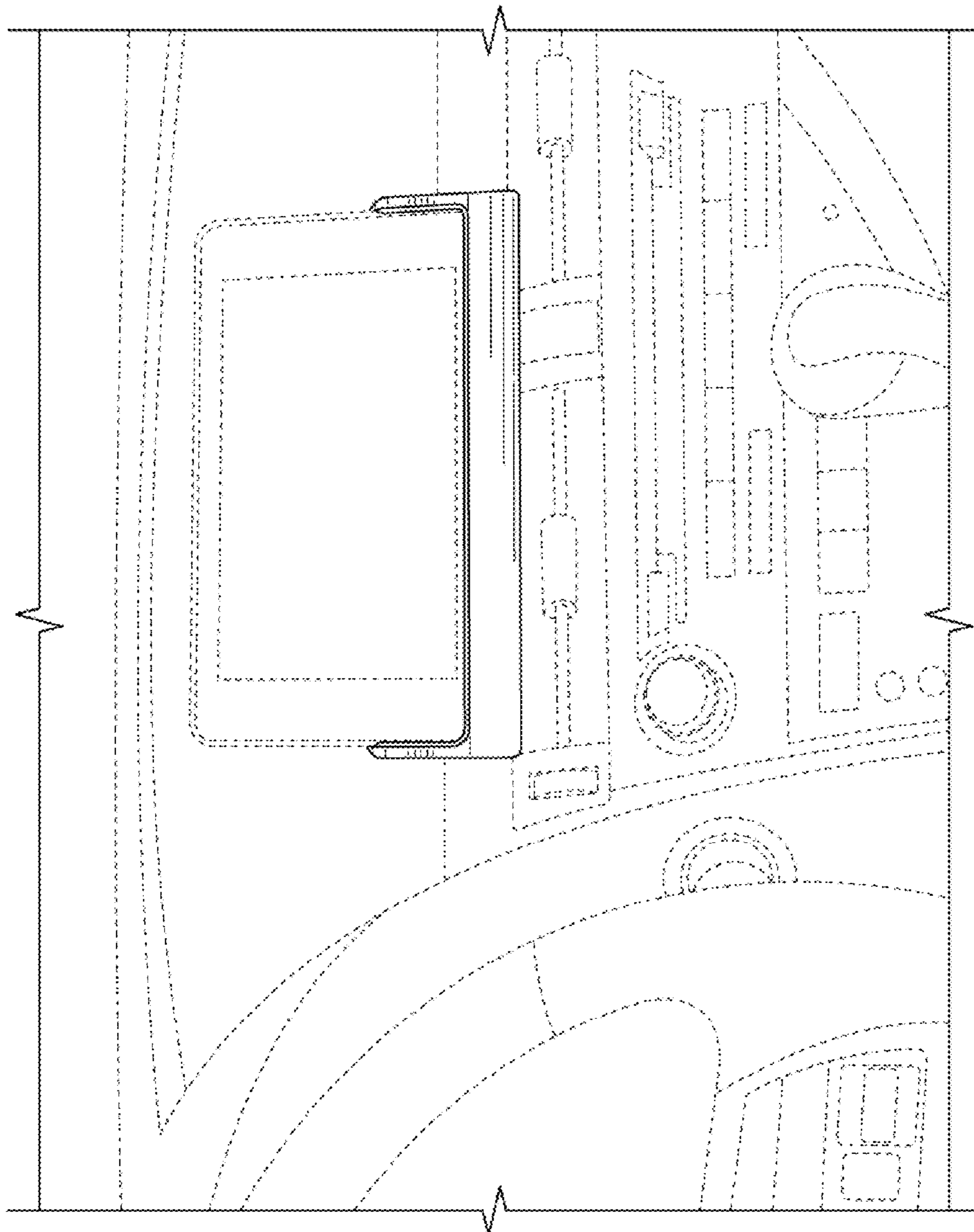


FIG. 9