



US00D736772S

(12) **United States Design Patent**
Prichard et al.

(10) **Patent No.:** **US D736,772 S**

(45) **Date of Patent:** **** Aug. 18, 2015**

(54) **EXPANDABLE KEYBOARD**

(71) Applicants: **Michael Prichard**, Carlisle, MA (US);
Jory Bell, San Francisco, CA (US)

(72) Inventors: **Michael Prichard**, Carlisle, MA (US);
Jory Bell, San Francisco, CA (US)

(73) Assignee: **Miselu, Inc.**, San Francisco, CA (US)

(**) Term: **14 Years**

(21) Appl. No.: **29/443,879**

(22) Filed: **Jan. 23, 2013**

(51) **LOC (10) Cl.** **14-02**

(52) **U.S. Cl.**
USPC **D14/395**

(58) **Field of Classification Search**
USPC D17/1, 2, 4, 7, 9, 99; 84/719, 19, 172,
84/174, 354, 423 R, 442, 443; D21/409,
D21/414; D14/392, 391, 401, 395, 396,
D14/388, 394, 390

CPC G10H 2220/275
See application file for complete search history.

(56) **References Cited**

U.S. PATENT DOCUMENTS

D316,722 S *	5/1991	Lerch	D17/1
D471,551 S *	3/2003	Mah	D14/392
D510,747 S *	10/2005	Lin	D17/1
7,060,883 B2 *	6/2006	Nagaoka et al.	84/423 R
D569,415 S *	5/2008	Shigeru	D17/1
D585,478 S *	1/2009	Takei	D17/1
D598,484 S *	8/2009	Katsumata	D17/1
D599,841 S *	9/2009	Kawada	D17/2
D636,013 S *	4/2011	Shin et al.	D17/1
D668,708 S *	10/2012	Park et al.	D17/1

OTHER PUBLICATIONS

Engadget, Miselu launches C.24 wireless music keyboard for iPad, we go hands-on (video), Myriam Joire, Jun. 2012, [online], <<http://www.engadget.com/2013/07/09/miselu-launches-c-24-wireless-music-keyboard-for-ipad/>>.*

* cited by examiner

Primary Examiner — Ian Simmons

Assistant Examiner — Harold Blackwell, II

(74) *Attorney, Agent, or Firm* — Trellis IP Law Group, PC

(57) **CLAIM**

The ornamental design for an expandable keyboard, as shown and described.

DESCRIPTION

FIG. 1 is a top-right perspective view of an expandable keyboard in an open configuration, where holders are in an upright position;

FIG. 2 is a top-right perspective view in a closed configuration;

FIG. 3 is a top view in an open configuration, where holders are in an upright position;

FIG. 4 is a top view in a closed configuration;

FIG. 5 is a right-side view in an open configuration, where holders are in a collapsed position;

FIG. 6 is a left-side view in an open configuration;

FIG. 7 is a front view in an open configuration, where holders are in a collapsed position;

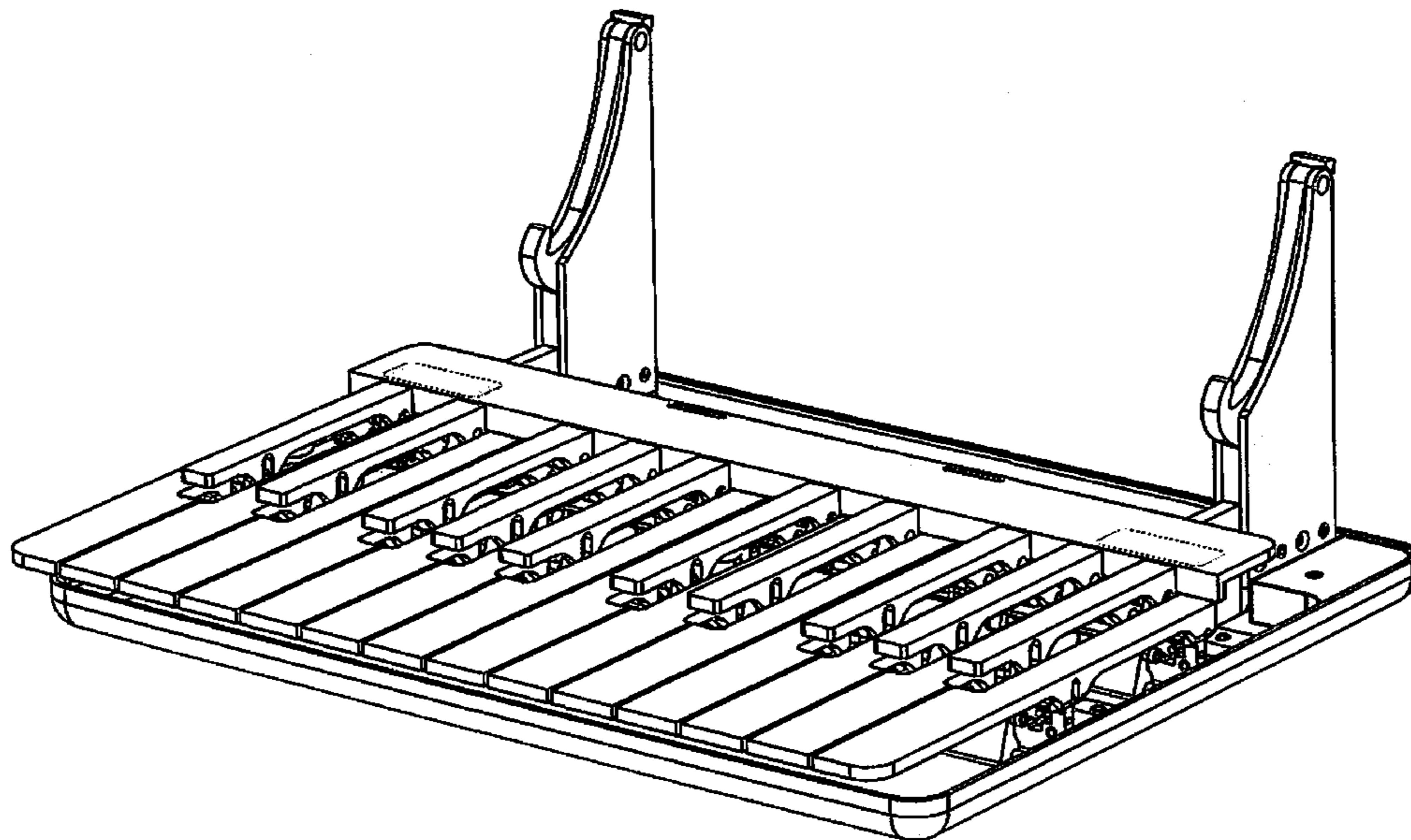
FIG. 8 is a bottom-left perspective view in an open configuration;

FIG. 9 is a back view in an open configuration; and,

FIG. 10 is a back view in an open configuration.

The broken lines in the drawings illustrate portions of an expandable keyboard which form no part of the claimed design.

1 Claim, 10 Drawing Sheets



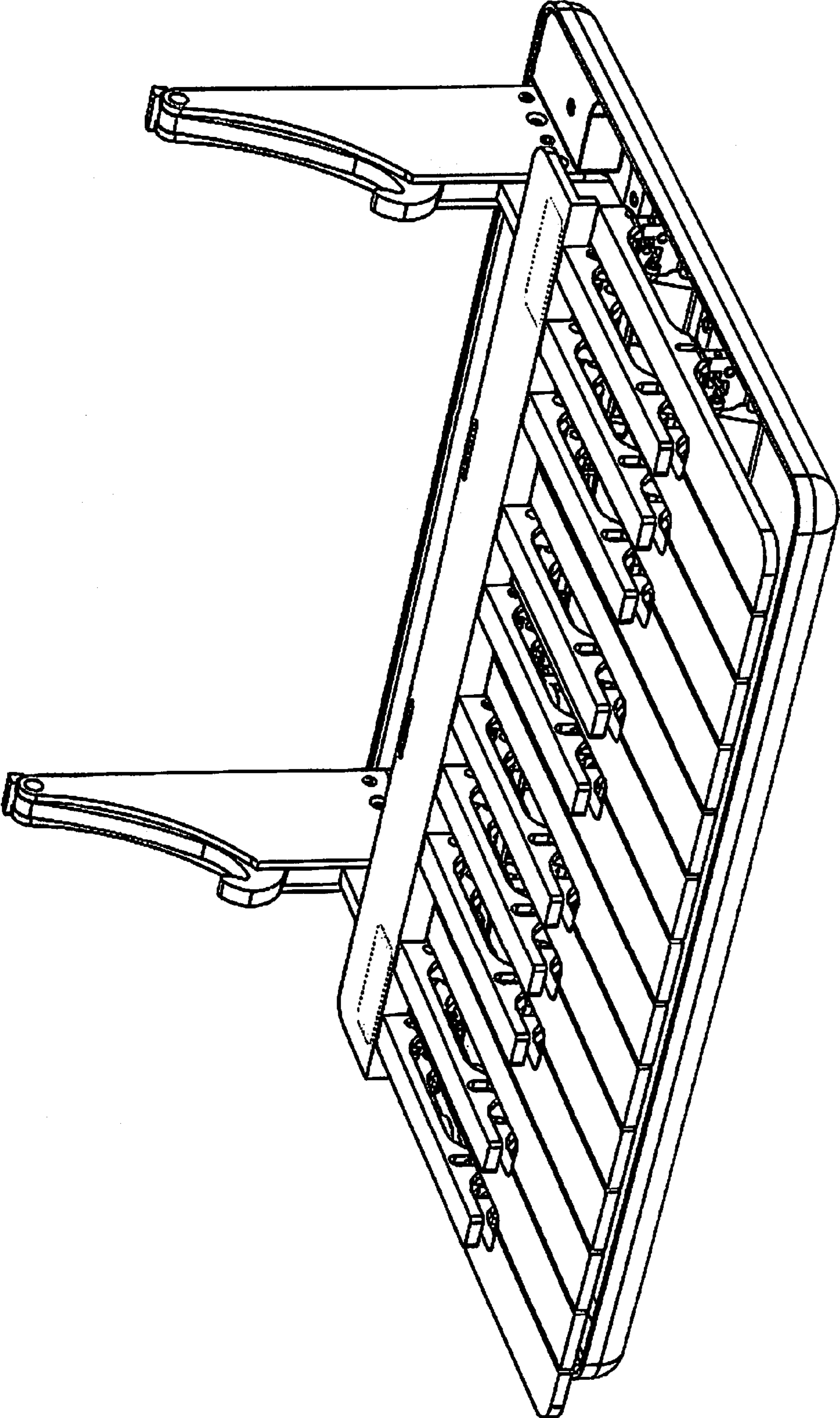


Figure 1

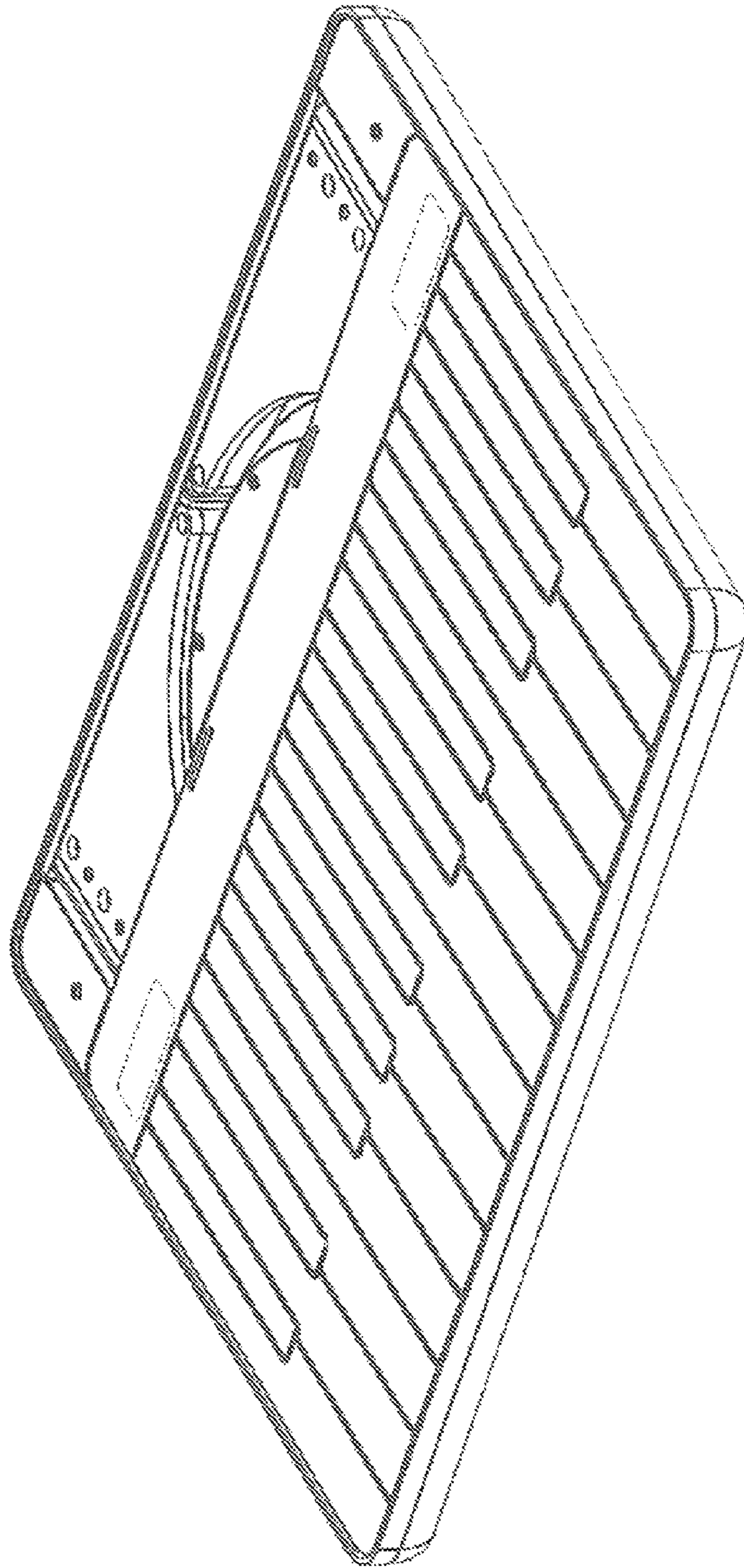


Figure 2

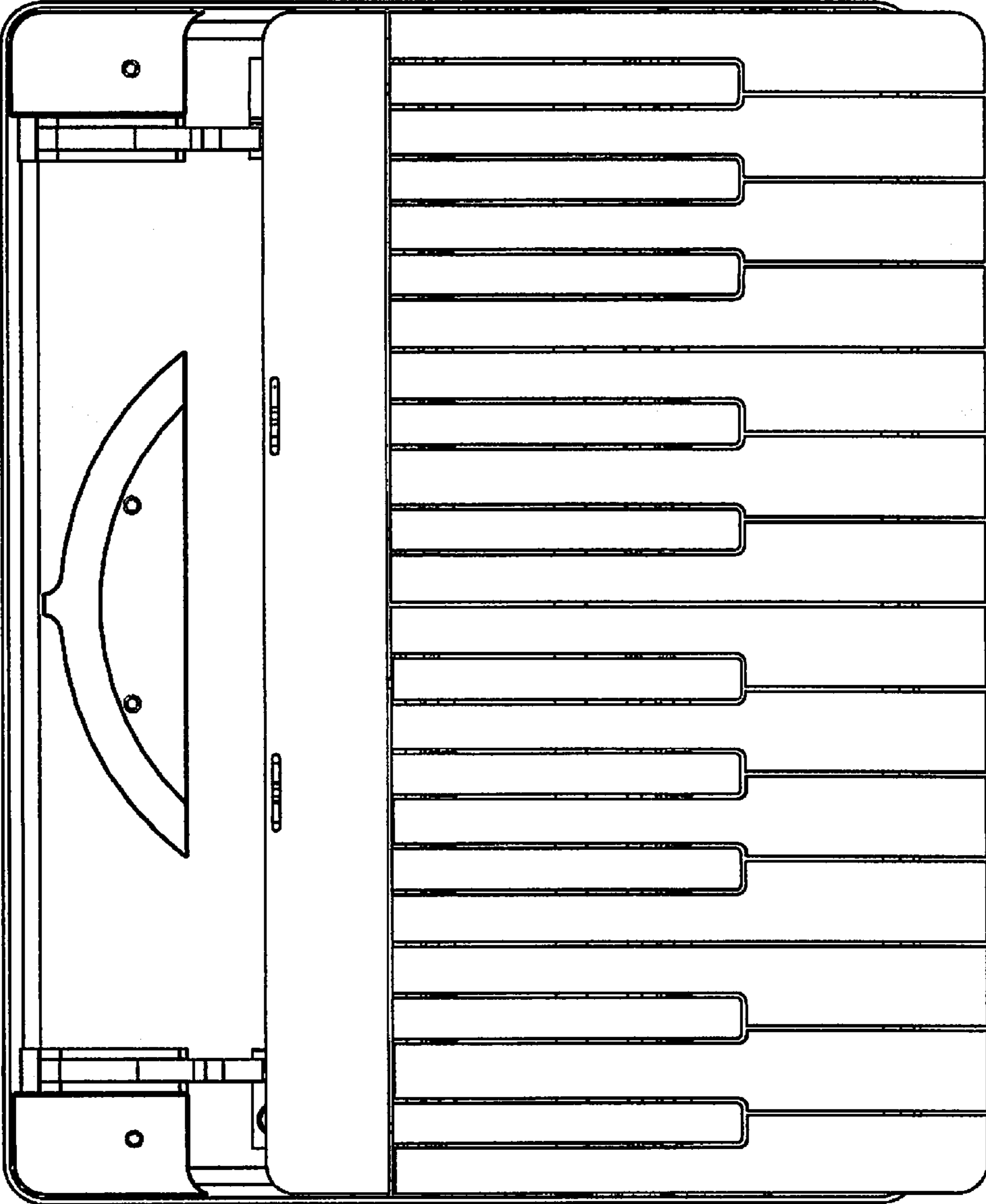


Figure 3

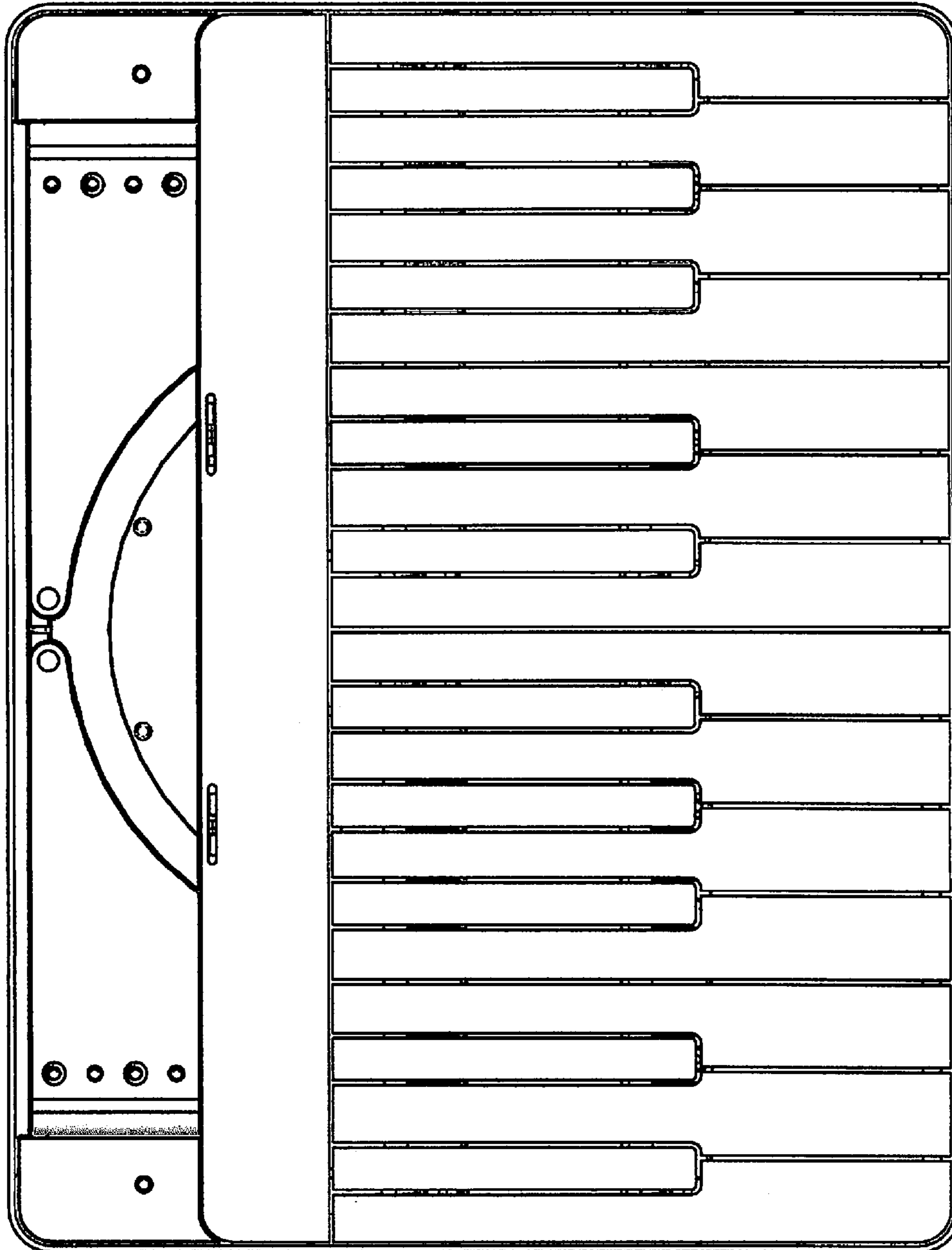


Figure 4

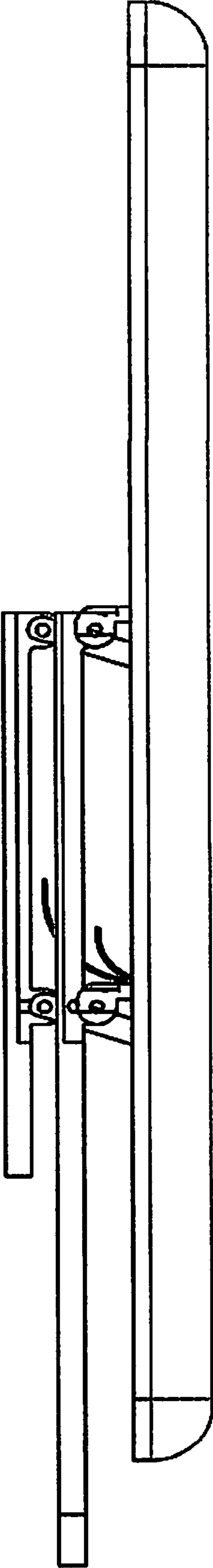


Figure 5

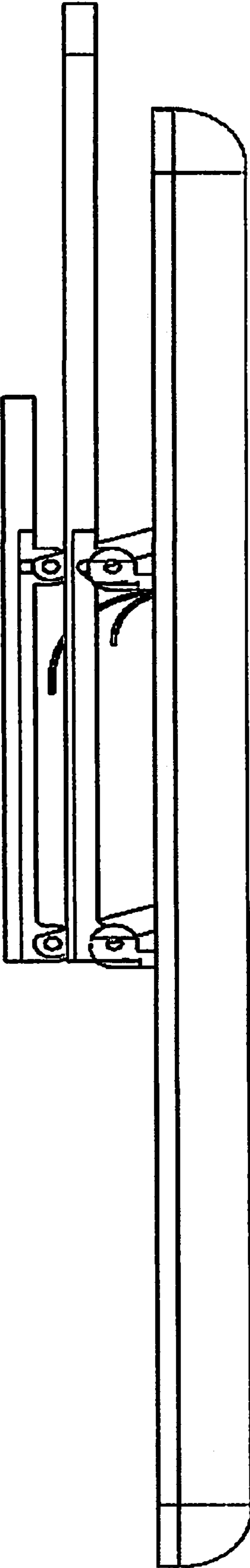


Figure 6

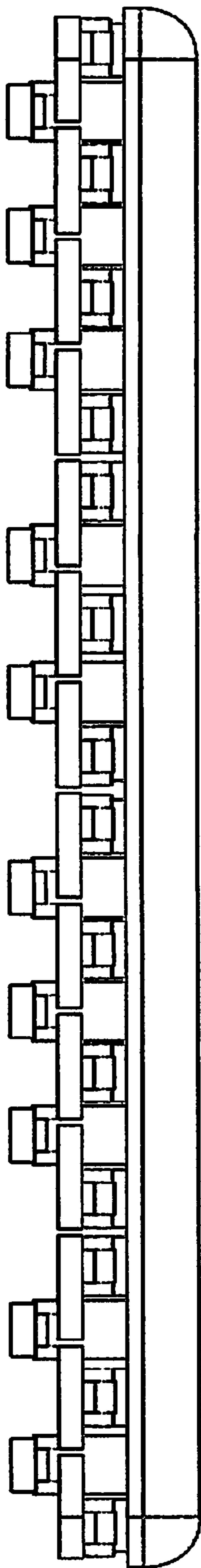


Figure 7

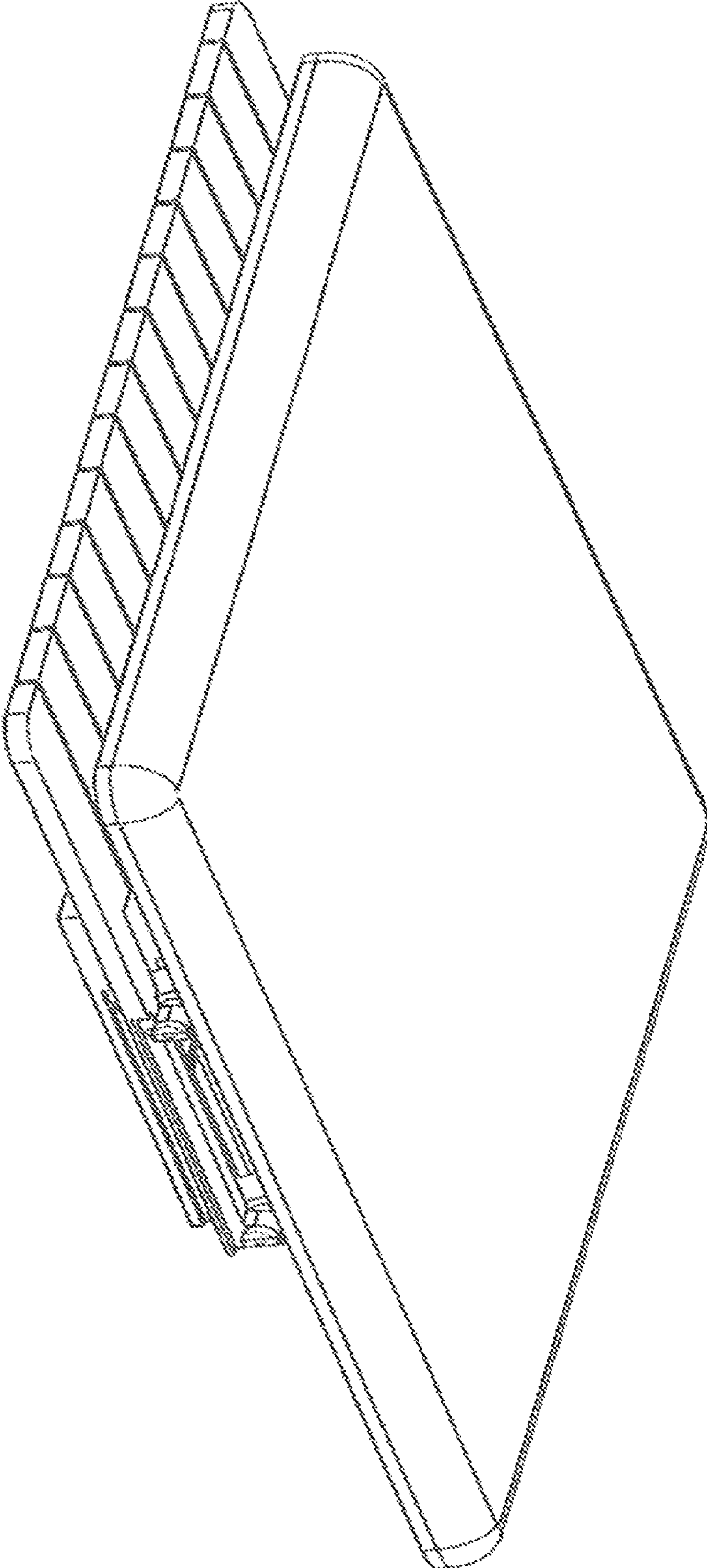


Figure 8

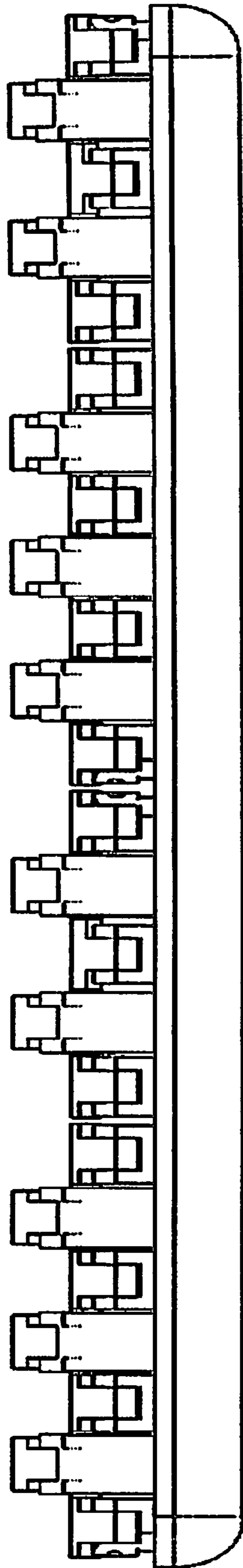


Figure 9

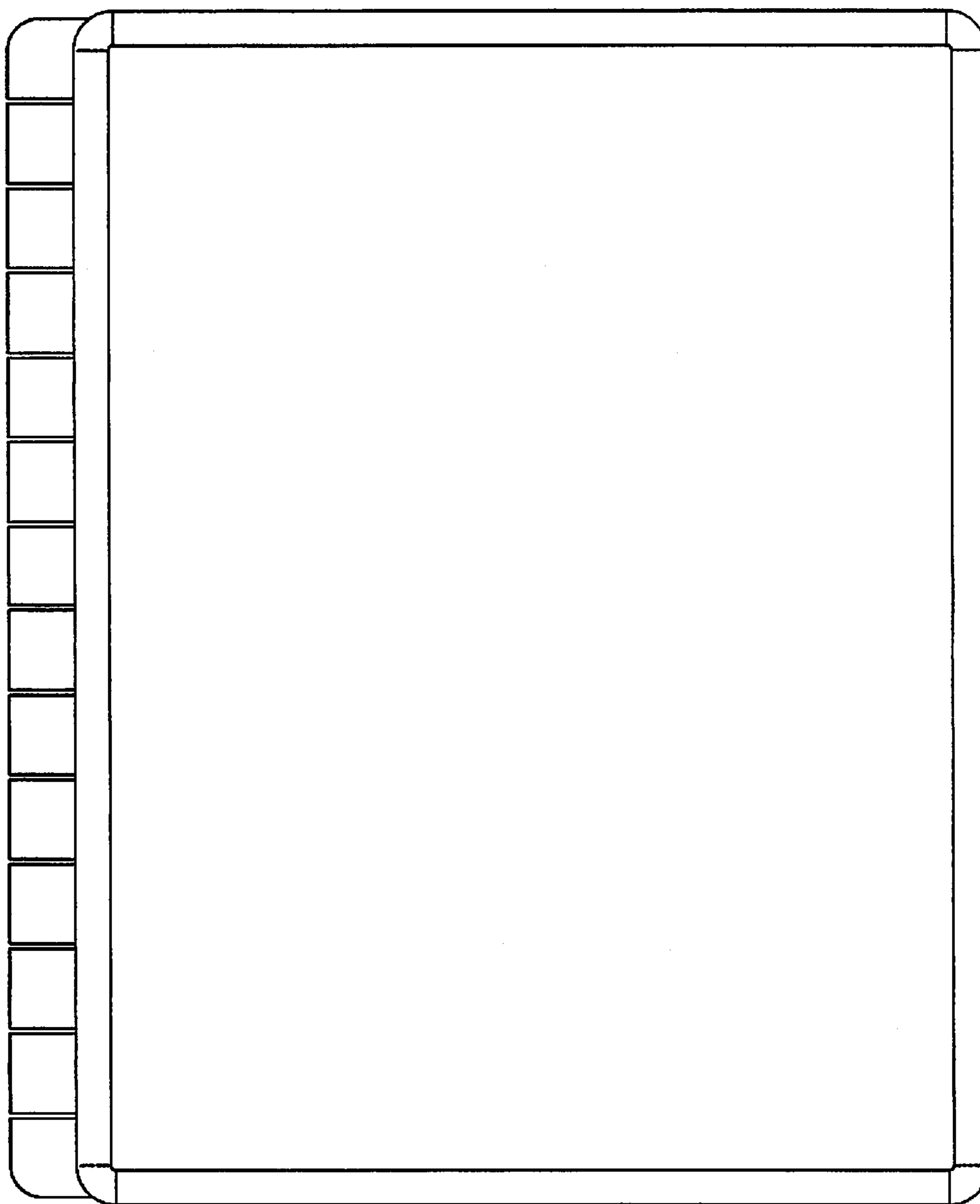


Figure 10