



US00D736770S

(12) **United States Design Patent**
Chou

(10) **Patent No.:** **US D736,770 S**

(45) **Date of Patent:** **** Aug. 18, 2015**

(54) **DRIVE CARRIER FOR EXTERNAL STORAGE ENCLOSURE**

(71) Applicant: **INX8 INC.**, Brea, CA (US)

(72) Inventor: **Wenchien Chou**, Brea, CA (US)

(73) Assignee: **INX8 INC.**, Brea, CA (US)

(**) Term: **14 Years**

(21) Appl. No.: **29/483,990**

(22) Filed: **Mar. 5, 2014**

(51) **LOC (10) Cl.** **14-02**

(52) **U.S. Cl.**
USPC **D14/367**

(58) **Field of Classification Search**
USPC D14/301, 300, 363-368, 432, 441-443,
D14/474, 483; D13/162, 182, 184;
361/679.37, 679.39, 679.33, 825, 829;
312/332.1, 321; 439/296, 304
CPC G06F 1/16
See application file for complete search history.

(56) **References Cited**

U.S. PATENT DOCUMENTS

D264,963	S	*	6/1982	McComas	D13/182
4,716,497	A	*	12/1987	Craker	361/740
4,941,841	A	*	7/1990	Darden et al.	361/679.39
5,340,340	A	*	8/1994	Hastings et al.	439/64
5,442,513	A	*	8/1995	Lo	361/679.35
5,563,767	A	*	10/1996	Chen	361/679.31
5,588,728	A	*	12/1996	Eldridge et al.	312/332.1

5,652,695	A	*	7/1997	Schmitt	361/679.31
5,673,171	A	*	9/1997	Varghese et al.	361/679.34
6,069,789	A	*	5/2000	Jung	361/679.32
6,088,221	A	*	7/2000	Bologna	361/679.37
D455,422	S	*	4/2002	Bath	D14/301
6,373,695	B1	*	4/2002	Cheng	361/679.39
6,556,432	B2	*	4/2003	Chen et al.	361/679.33
D484,508	S	*	12/2003	Crippen et al.	D14/439
D529,915	S	*	10/2006	Scicluna et al.	D14/439
7,542,280	B2	*	6/2009	Hong et al.	361/679.33
8,094,446	B2	*	1/2012	Liu	361/679.33
8,243,435	B2	*	8/2012	Li	361/679.37
D681,635	S	*	5/2013	Wang	D14/366
D692,883	S	*	11/2013	Chen et al.	D14/367

* cited by examiner

Primary Examiner — Paula Greene

(74) *Attorney, Agent, or Firm* — Ladas & Parry LLP

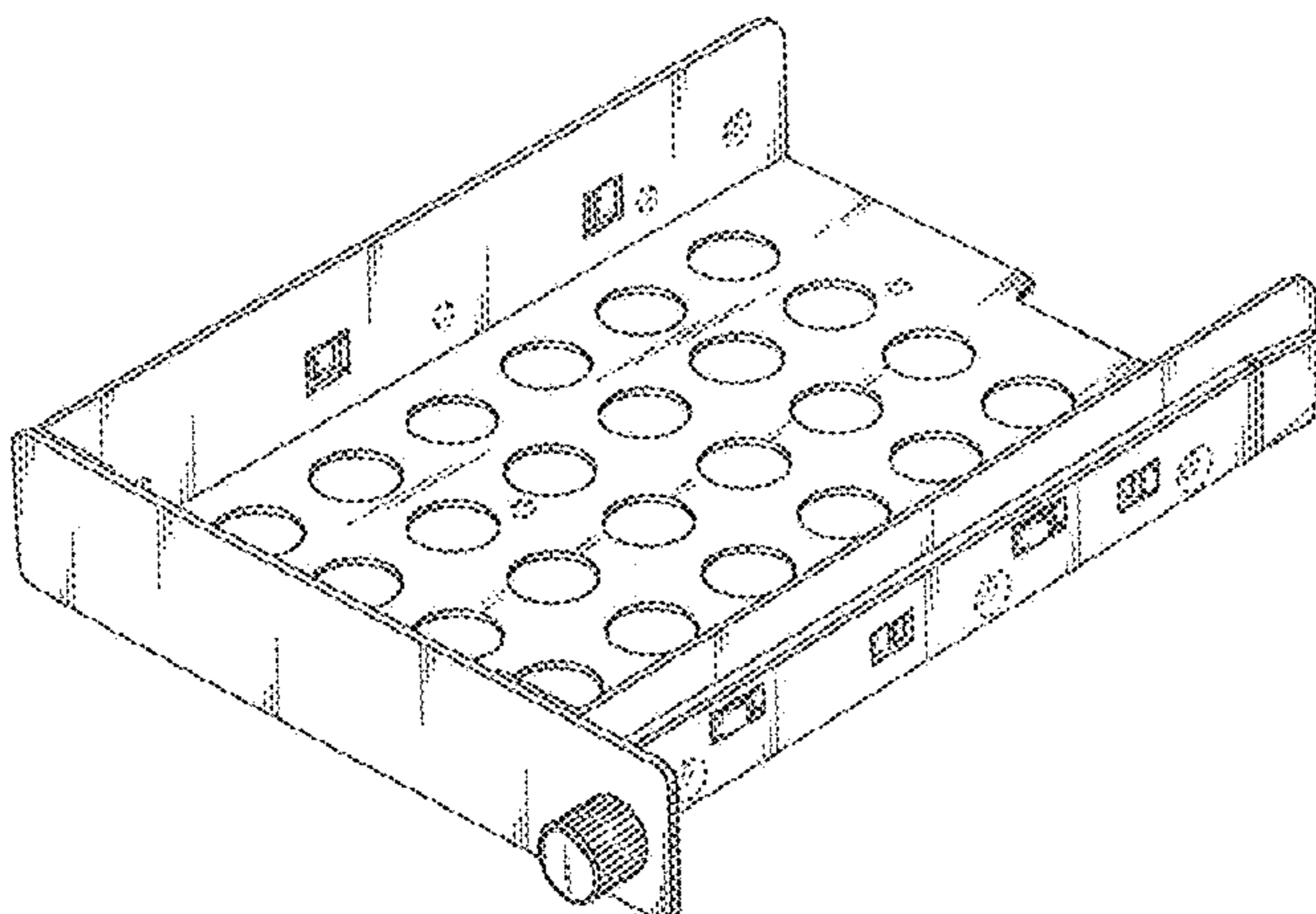
(57) **CLAIM**

The ornamental design for a drive carrier for external storage enclosure, as shown and described.

DESCRIPTION

FIG. 1 is a perspective view from the front, top, and right side of the driver carrier embodying our new design;
FIG. 2 is a front elevational view thereof;
FIG. 3 is a rear elevational view thereof;
FIG. 4 is a right side elevational view thereof;
FIG. 5 is a left side elevational view thereof;
FIG. 6 is a top plan view thereof; and,
FIG. 7 is a bottom plan view thereof.
The broken lines in the drawings are by way of illustration only and form no part of the claimed design.

1 Claim, 7 Drawing Sheets



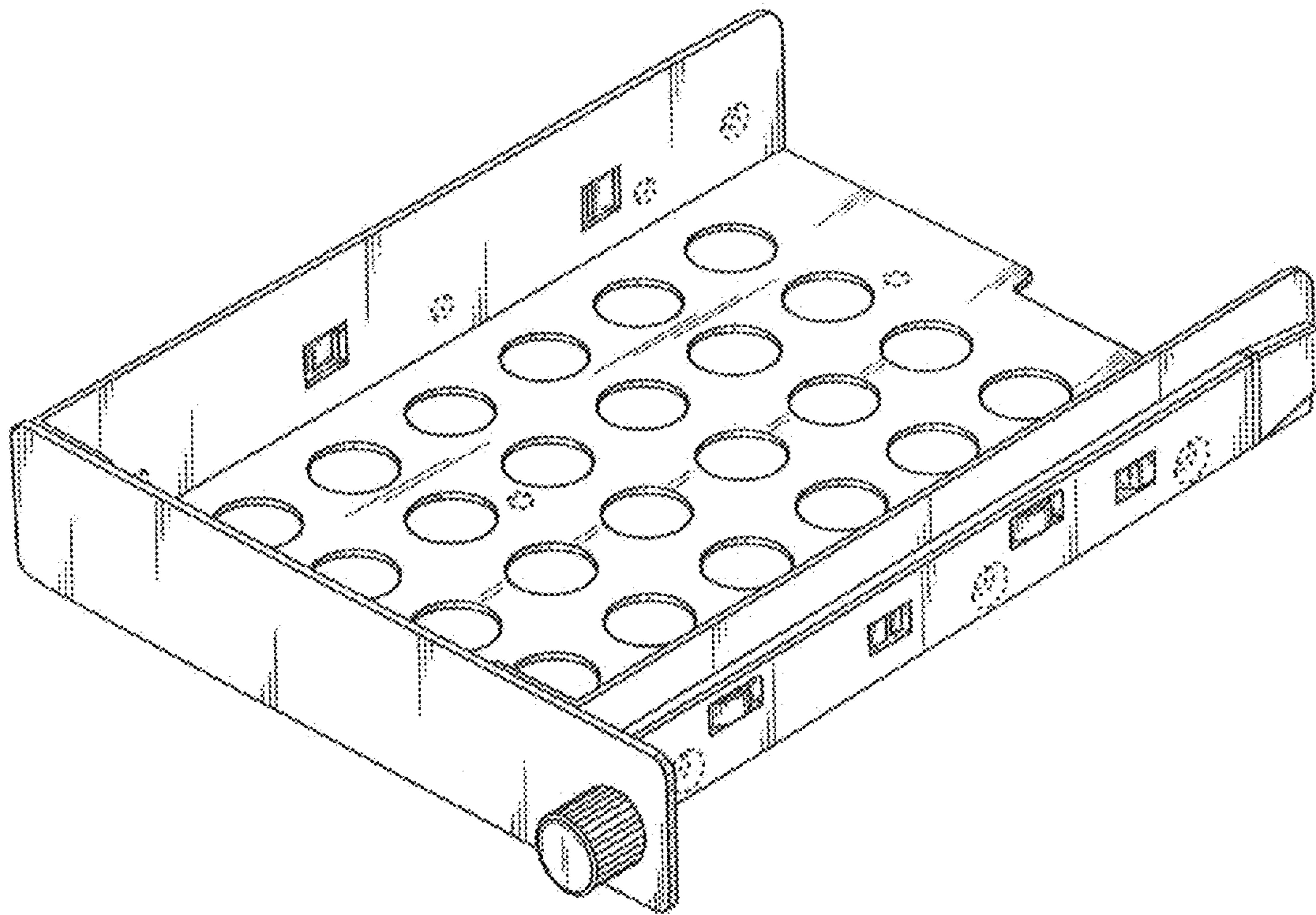


FIG. 1

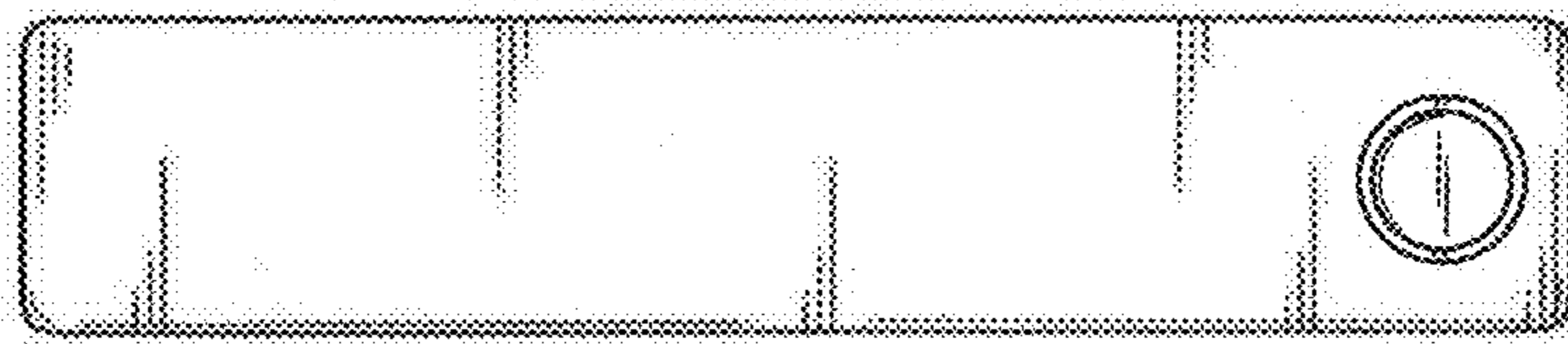


FIG. 2

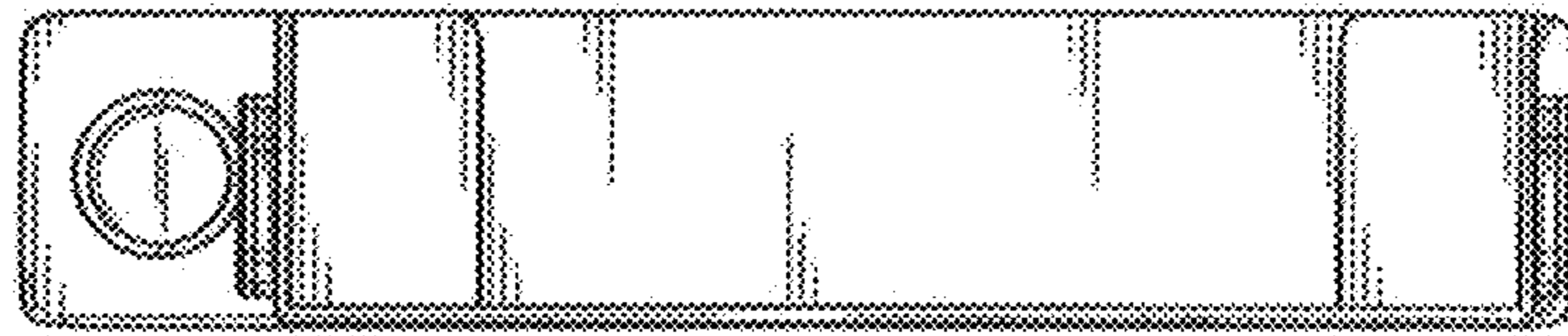


FIG. 3

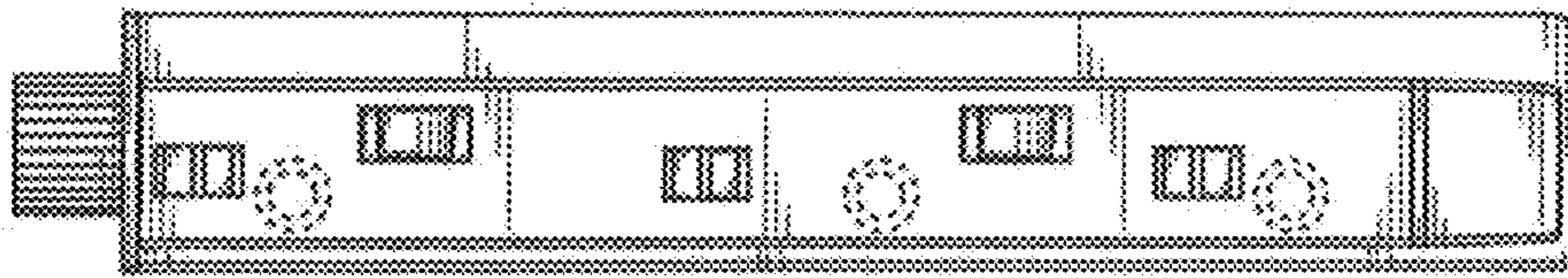


FIG. 4

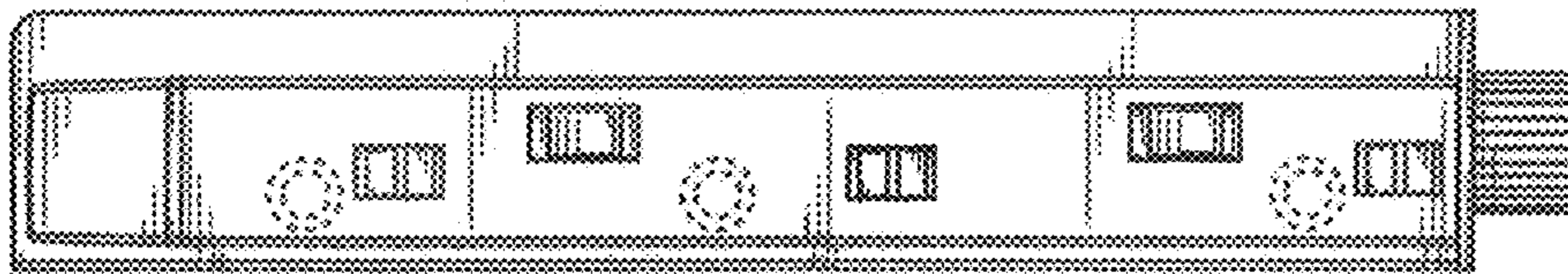


FIG. 5

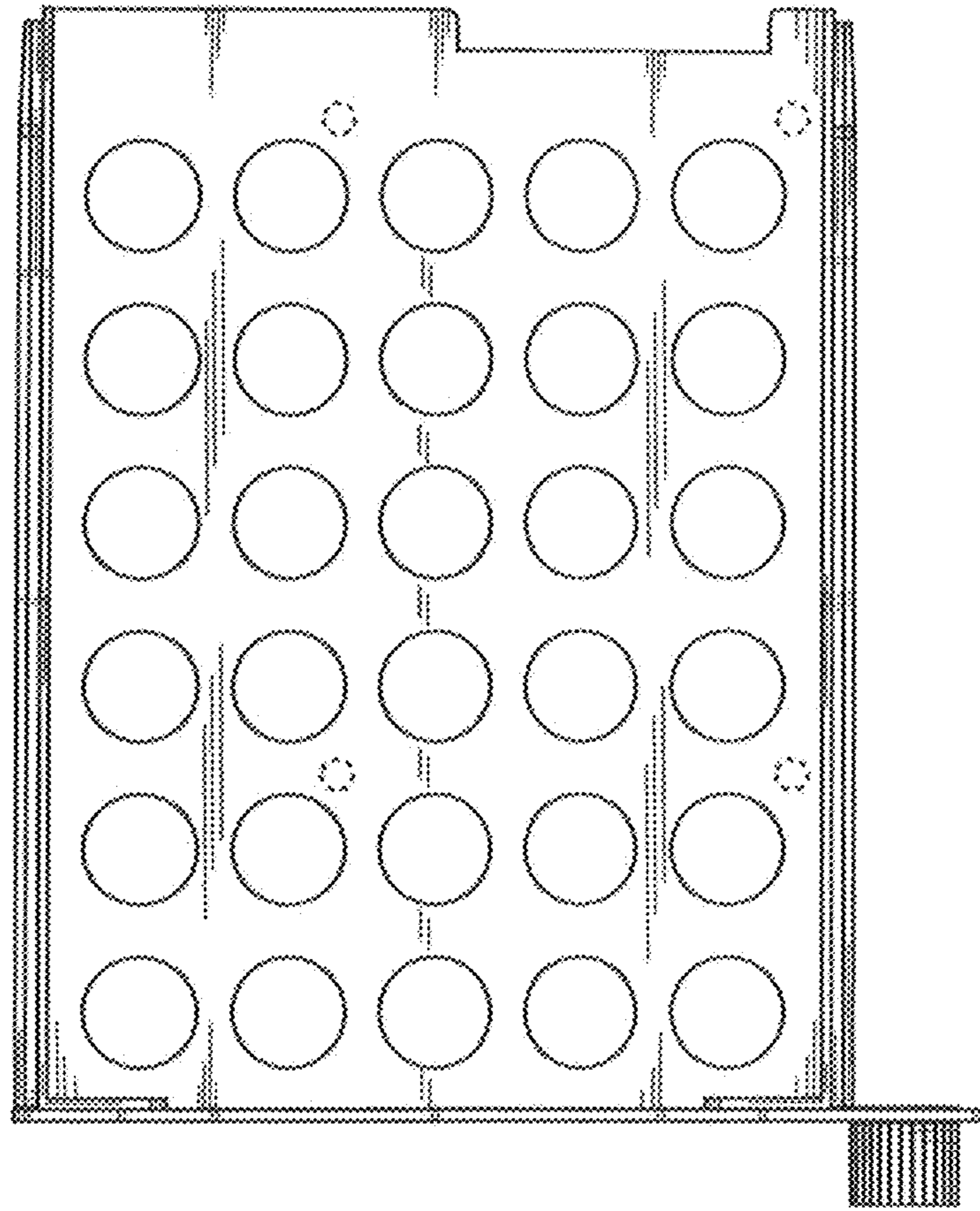


FIG. 6

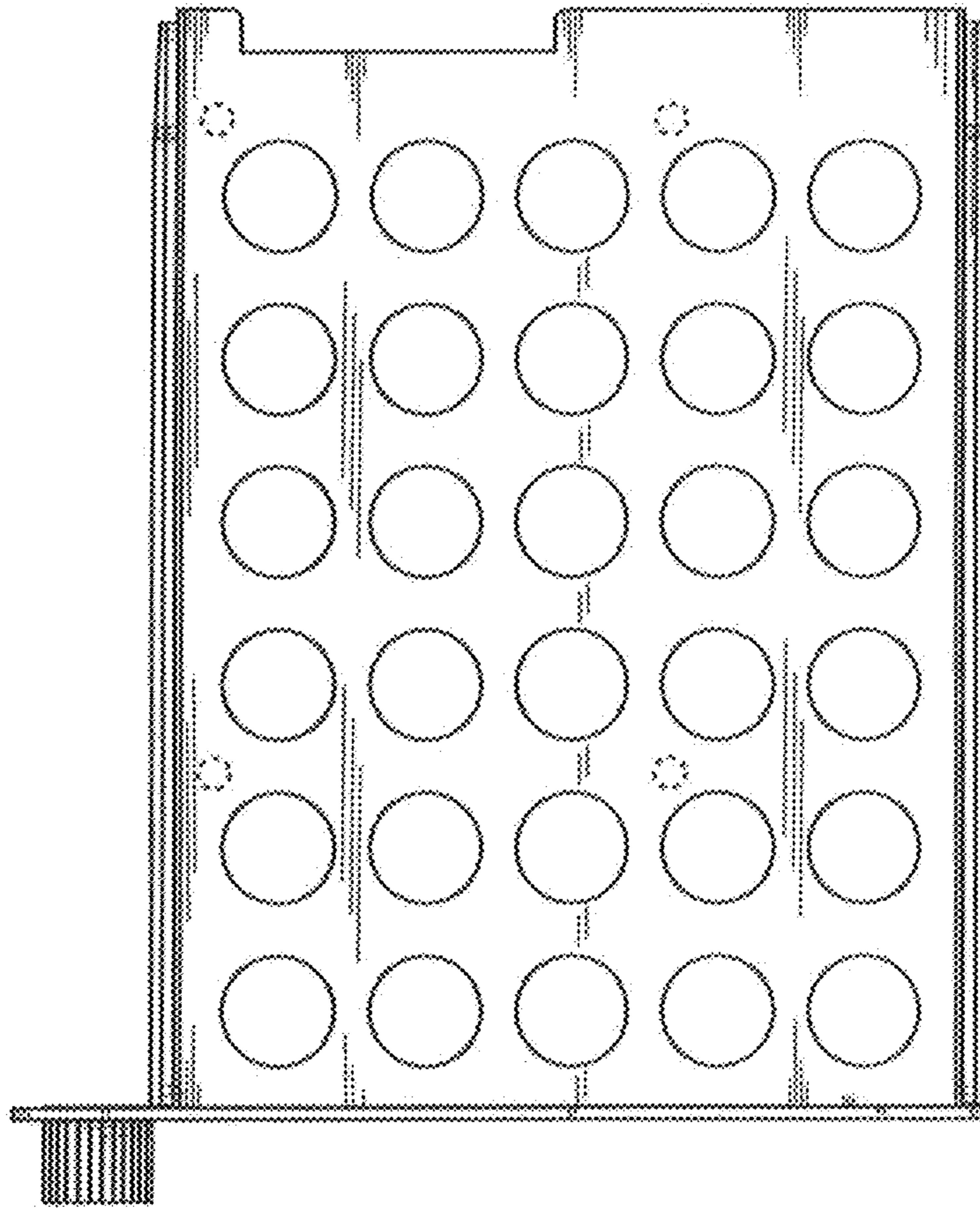


FIG. 7