



US00D736769S

(12) **United States Design Patent**
Chou

(10) **Patent No.:** **US D736,769 S**

(45) **Date of Patent:** **** Aug. 18, 2015**

(54) **DRIVE CARRIER FOR EXTERNAL STORAGE ENCLOSURE**

(71) Applicant: **INX8 INC.**, Brea, CA (US)

(72) Inventor: **Wenchien Chou**, Brea, CA (US)

(73) Assignee: **INX8 INC.**, Brea, CA (US)

(**) Term: **14 Years**

(21) Appl. No.: **29/483,986**

(22) Filed: **Mar. 5, 2014**

(51) **LOC (10) Cl.** **14-02**

(52) **U.S. Cl.**
USPC **D14/367**

(58) **Field of Classification Search**
USPC D14/301, 363-368, 432, 441-443, 474,
D14/483; D13/162, 182, 184; 361/679.37,
361/679.39, 679.33, 825, 829; 312/332.1,
312/321
CPC G06F 1/16
See application file for complete search history.

(56) **References Cited**

U.S. PATENT DOCUMENTS

4,223,973	A *	9/1980	Tamburro	439/377
4,688,131	A *	8/1987	Noda et al.	360/137
D308,052	S *	5/1990	Darden et al.	D14/367
4,941,841	A *	7/1990	Darden et al.	361/679.39
5,003,431	A *	3/1991	Imsdahl	361/798
5,277,615	A *	1/1994	Hastings et al.	439/377
5,442,513	A *	8/1995	Lo	361/679.35
5,451,168	A *	9/1995	Shuey	439/159
5,563,767	A *	10/1996	Chen	361/679.31
5,653,518	A *	8/1997	Hardt	312/334.4
D389,470	S *	1/1998	Schick et al.	D14/367
D399,193	S *	10/1998	Chang	D14/367
6,002,658	A *	12/1999	Aso et al.	720/651

D423,479	S *	4/2000	Alo et al.	D14/432
6,067,225	A *	5/2000	Reznikov et al.	361/679.31
6,069,789	A *	5/2000	Jung	361/679.32
6,094,342	A *	7/2000	Dague et al.	361/679.33
6,249,432	B1 *	6/2001	Gamble et al.	361/679.35
6,259,599	B1 *	7/2001	Gamble et al.	361/679.34
D455,422	S *	4/2002	Bath	D14/301
D466,507	S *	12/2002	Nakamura	D14/363
6,556,432	B2 *	4/2003	Chen et al.	361/679.33
D475,061	S *	5/2003	Huang	D14/483
D484,508	S *	12/2003	Crippen et al.	D14/439
D534,911	S *	1/2007	Hisatsune	D14/366
D576,163	S *	9/2008	Sasaki	D14/363
7,480,137	B1 *	1/2009	Jyh	361/679.33
D692,883	S *	11/2013	Chen et al.	D14/367
8,976,520	B2 *	3/2015	Yang et al.	361/679.37
2008/0298005	A1 *	12/2008	Deng et al.	361/684
2009/0095873	A1 *	4/2009	Peng et al.	248/560
2009/0224115	A1 *	9/2009	Zhang et al.	248/201
2013/0092807	A1 *	4/2013	Chen et al.	248/220.21

* cited by examiner

Primary Examiner — Paula Greene

(74) *Attorney, Agent, or Firm* — Ladas & Parry LLP

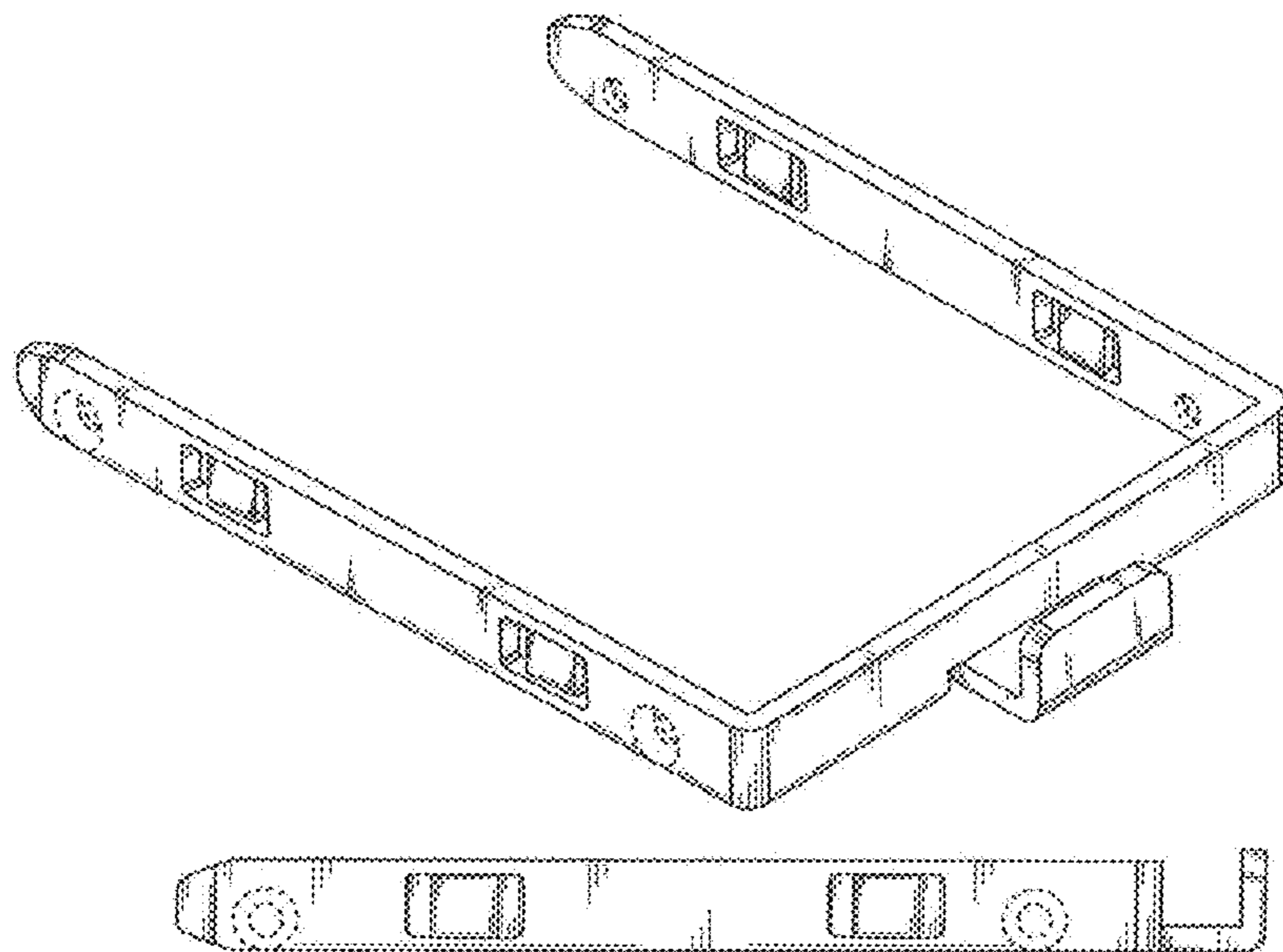
(57) **CLAIM**

The ornamental design for a drive carrier for external storage enclosure, as shown and described.

DESCRIPTION

FIG. 1 is a perspective view from the front, top, and left side of the driver carrier embodying our new design; FIG. 2 is a rear elevational view thereof; FIG. 3 is a front elevational view thereof; FIG. 4 is a left side elevational view thereof; FIG. 5 is a right side elevational view thereof; FIG. 6 is a top plan view thereof, and, FIG. 7 is a bottom plan view thereof. The broken lines in the drawings are by way of illustration only and form no part of the claimed design.

1 Claim, 7 Drawing Sheets



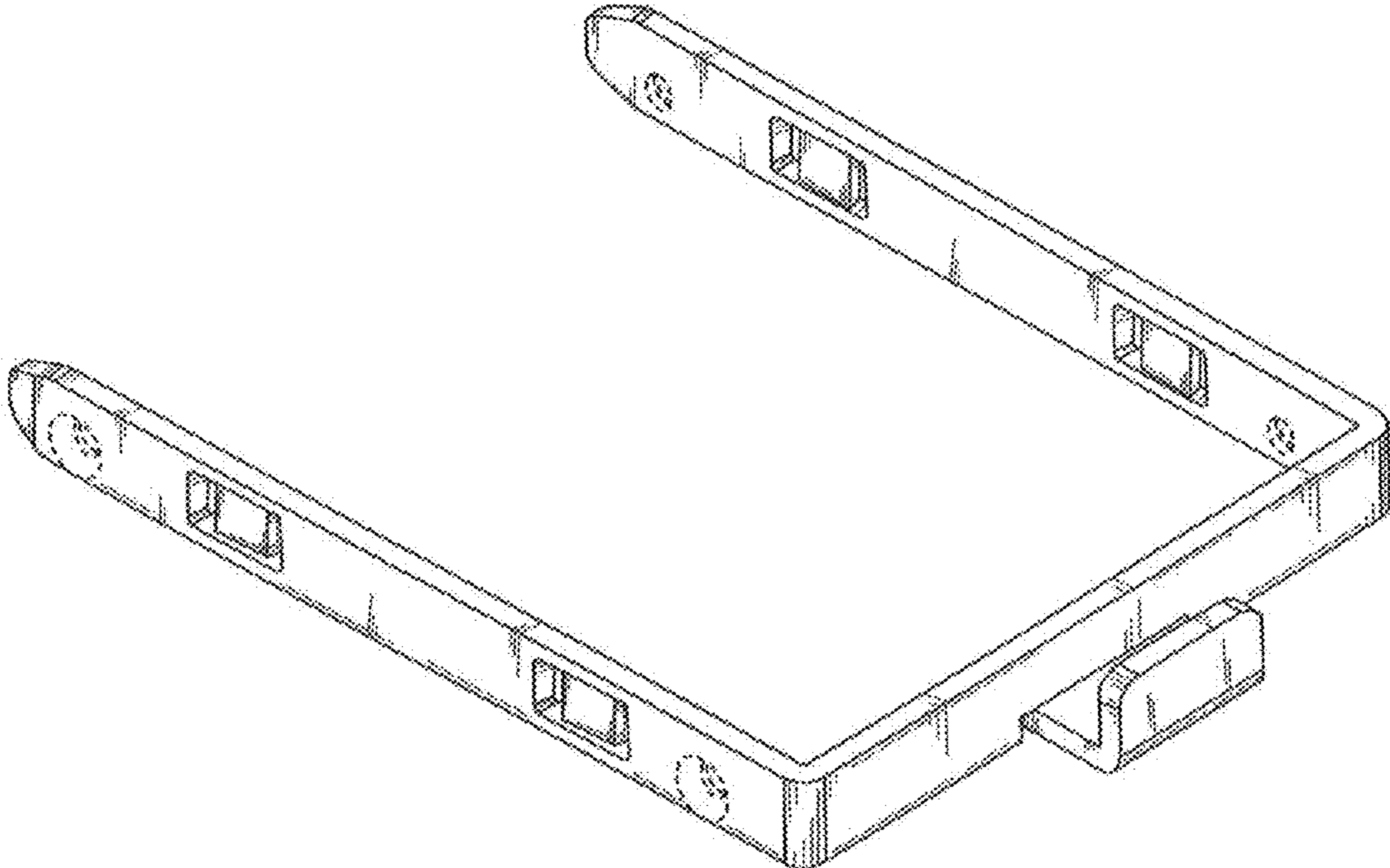


FIG. 1



FIG. 2



FIG. 3

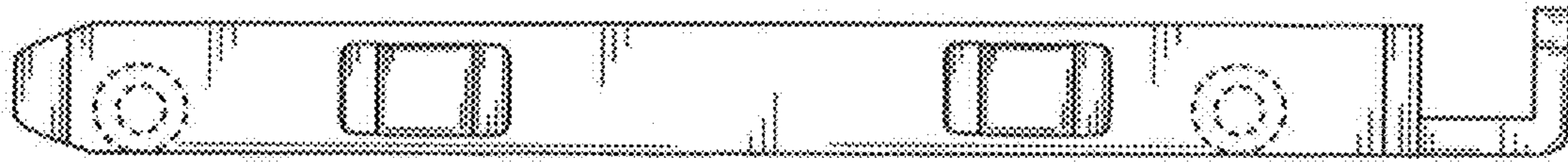


FIG. 4

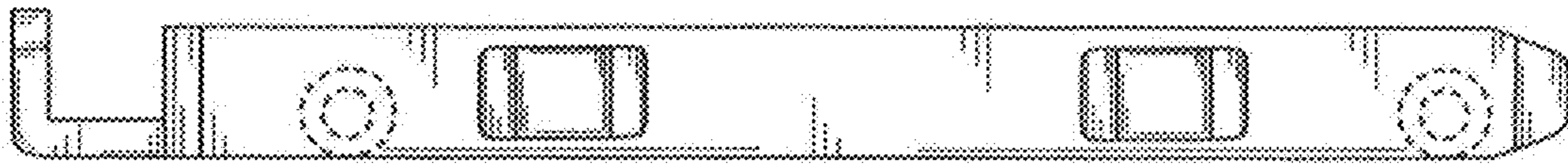


FIG. 5

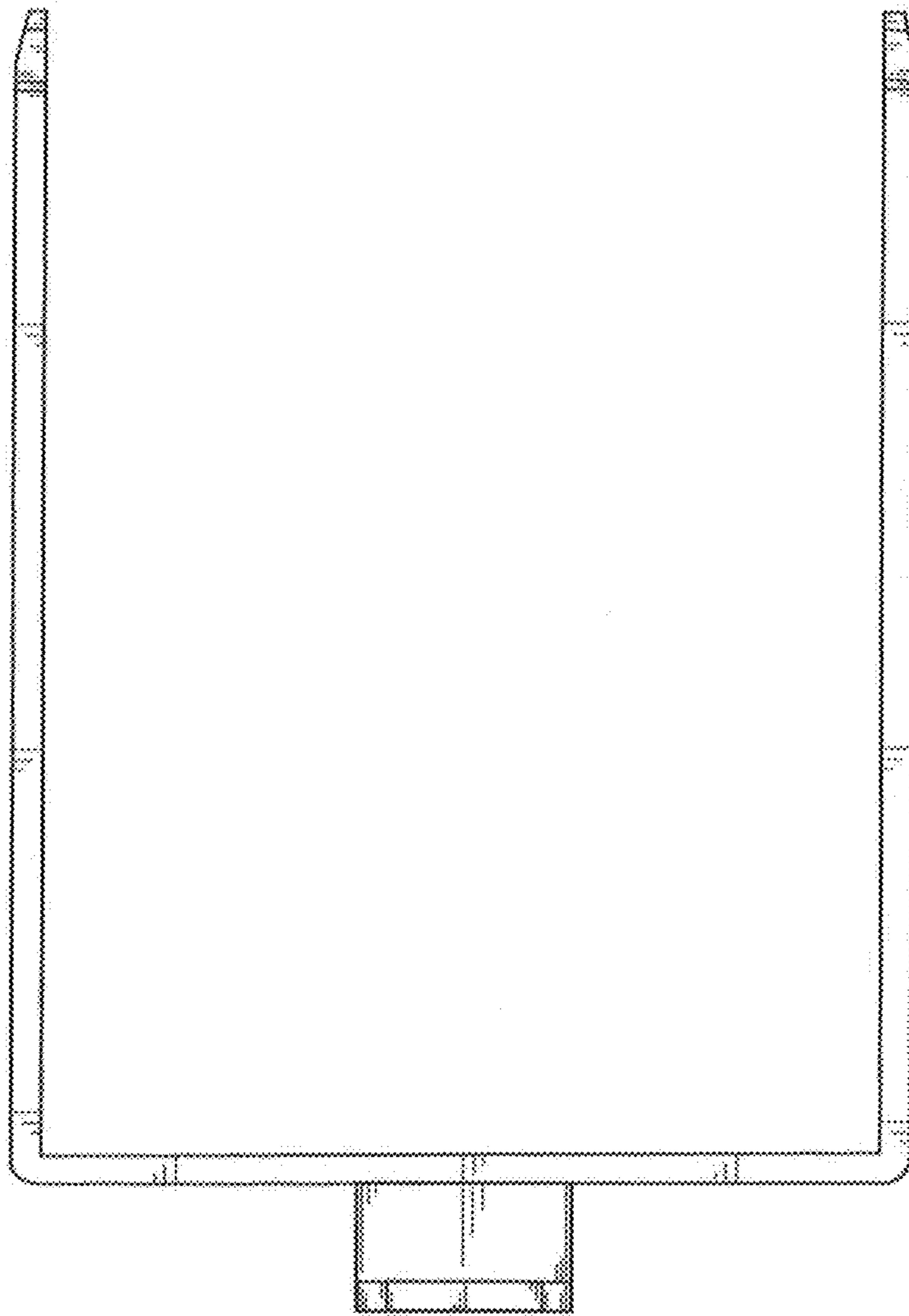


FIG. 6

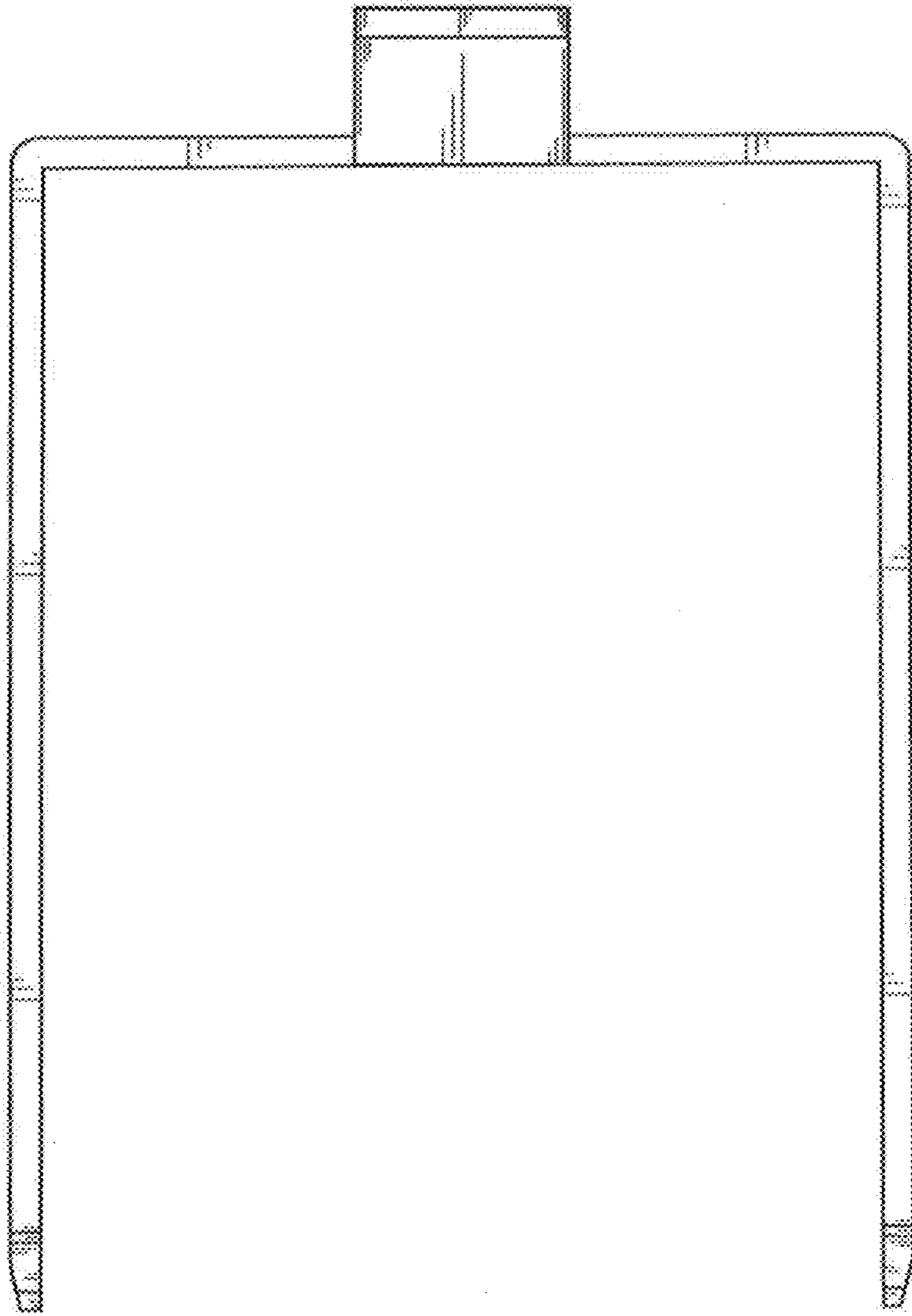


FIG. 7