



US00D736767S

(12) **United States Design Patent**
Lee

(10) **Patent No.:** **US D736,767 S**

(45) **Date of Patent:** **** Aug. 18, 2015**

(54) **MOBILE TERMINAL**

(71) Applicant: **Samsung Display Co., Ltd.**, Yongin,
Gyeonggi-Do (KR)

(72) Inventor: **Seung-Woo Lee**, Yongin (KR)

(73) Assignee: **Samsung Display Co., Ltd.**, Yongin-si
(KR)

(**) Term: **14 Years**

(21) Appl. No.: **29/471,959**

(22) Filed: **Nov. 6, 2013**

(30) **Foreign Application Priority Data**

Jul. 9, 2013 (KR) 30-2013-0035224

(51) **LOC (10) Cl.** **14-02**

(52) **U.S. Cl.**
USPC **D14/344**

(58) **Field of Classification Search**
USPC D14/138 A, 138 R, 218, 240, 341, 342,
D14/343, 344, 345, 346, 347, 358, 420, 426,
D14/427, 496; D10/30, 31, 32, 37, 38, 39,
D10/65, 70, 98; 368/281, 282, 294, 295,
368/296; D11/2, 3, 4, 5; 379/433.1;
D24/165, 167, 186

See application file for complete search history.

(56) **References Cited**

U.S. PATENT DOCUMENTS

D273,009 S * 3/1984 Isaacs D14/192
5,418,760 A * 5/1995 Kawashima et al. 368/69
D466,487 S * 12/2002 Wada et al. D14/138 R
D543,192 S * 5/2007 Jung D14/138 R
D549,221 S * 8/2007 Yagi
D568,768 S * 5/2008 Tang D10/30
D576,501 S * 9/2008 Tang D10/32

D703,069 S * 4/2014 Adams et al. D10/31
D721,701 S * 1/2015 Al-Nasser D14/344
D722,894 S * 2/2015 Vondle et al. D10/32

FOREIGN PATENT DOCUMENTS

KR 30-0384719 S 6/2005
KR 30-0426632 S 10/2006
KR 30-0426634 S 10/2006
KR 10-2011-0102076 A 9/2011

(Continued)

OTHER PUBLICATIONS

English machine translation of previously submitted Korean Design
Registration 30-0426632, dated Sep. 26, 2006, (7 pages).

(Continued)

Primary Examiner — Barbara Fox

Assistant Examiner — Chelsea Sealey

(74) *Attorney, Agent, or Firm* — Christie, Parker & Hale,
LLP

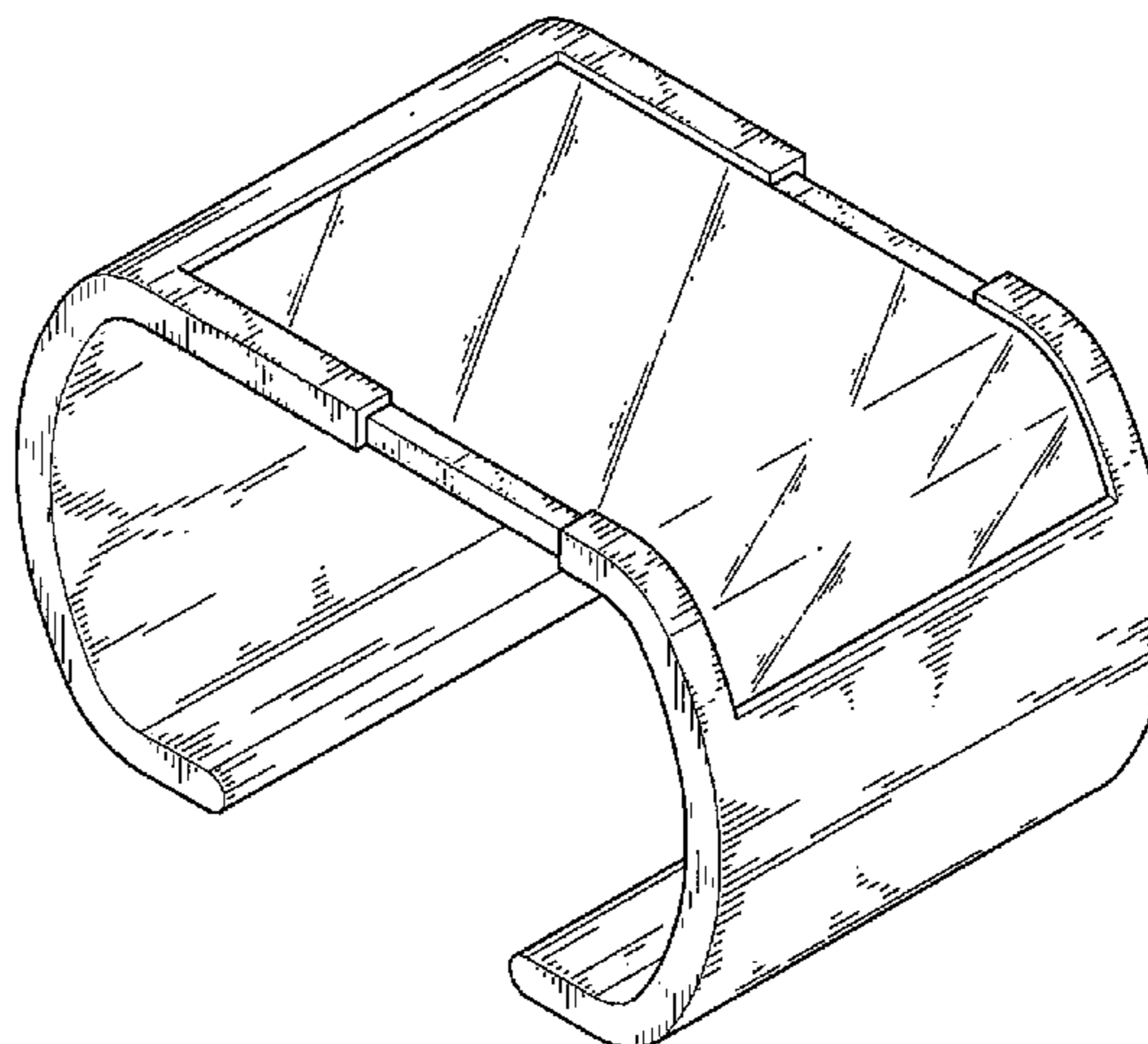
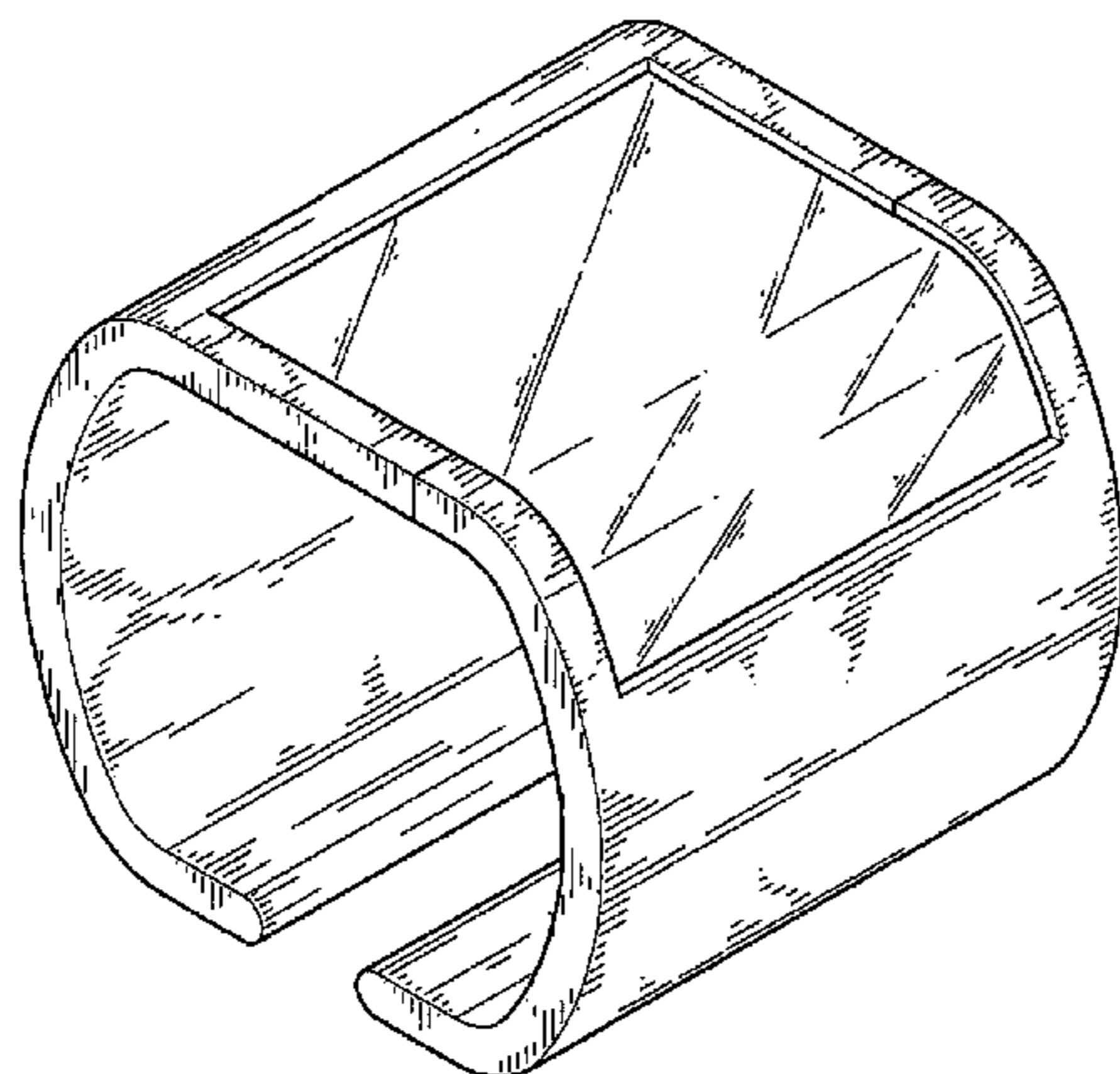
(57) **CLAIM**

The ornamental design for a mobile terminal, as shown and
described.

DESCRIPTION

FIG. 1 is a perspective view of a mobile terminal showing the
new design;
FIG. 2 is a right side view thereof;
FIG. 3 is a left side view thereof;
FIG. 4 is a front view thereof;
FIG. 5 is a rear view thereof;
FIG. 6 is a top view thereof
FIG. 7 is a bottom view thereof; and,
FIG. 8 is a perspective view illustrating a state where a portion
of a main body of the mobile terminal is extended to expand
the main body and a flexible screen unit of the mobile termi-
nal.

1 Claim, 5 Drawing Sheets



(56)

References Cited

OTHER PUBLICATIONS

FOREIGN PATENT DOCUMENTS

KR	30-0683913 S	3/2013
KR	30-0686157 S	3/2013

English machine translation of previously submitted Korean Design Registration 30-0426634, dated Sep. 26, 2006, (6 pages).

* cited by examiner

FIG. 1

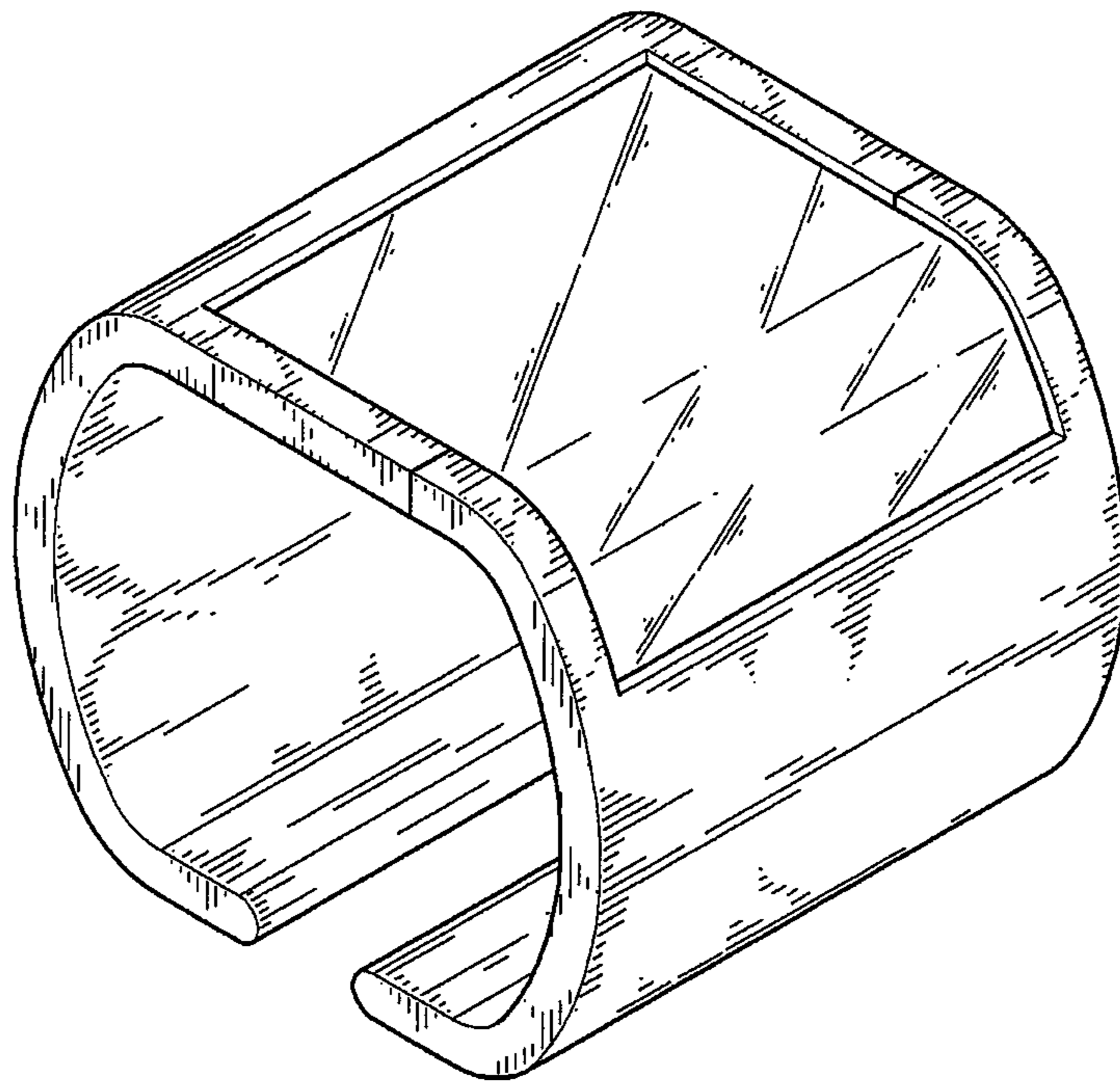


FIG. 2

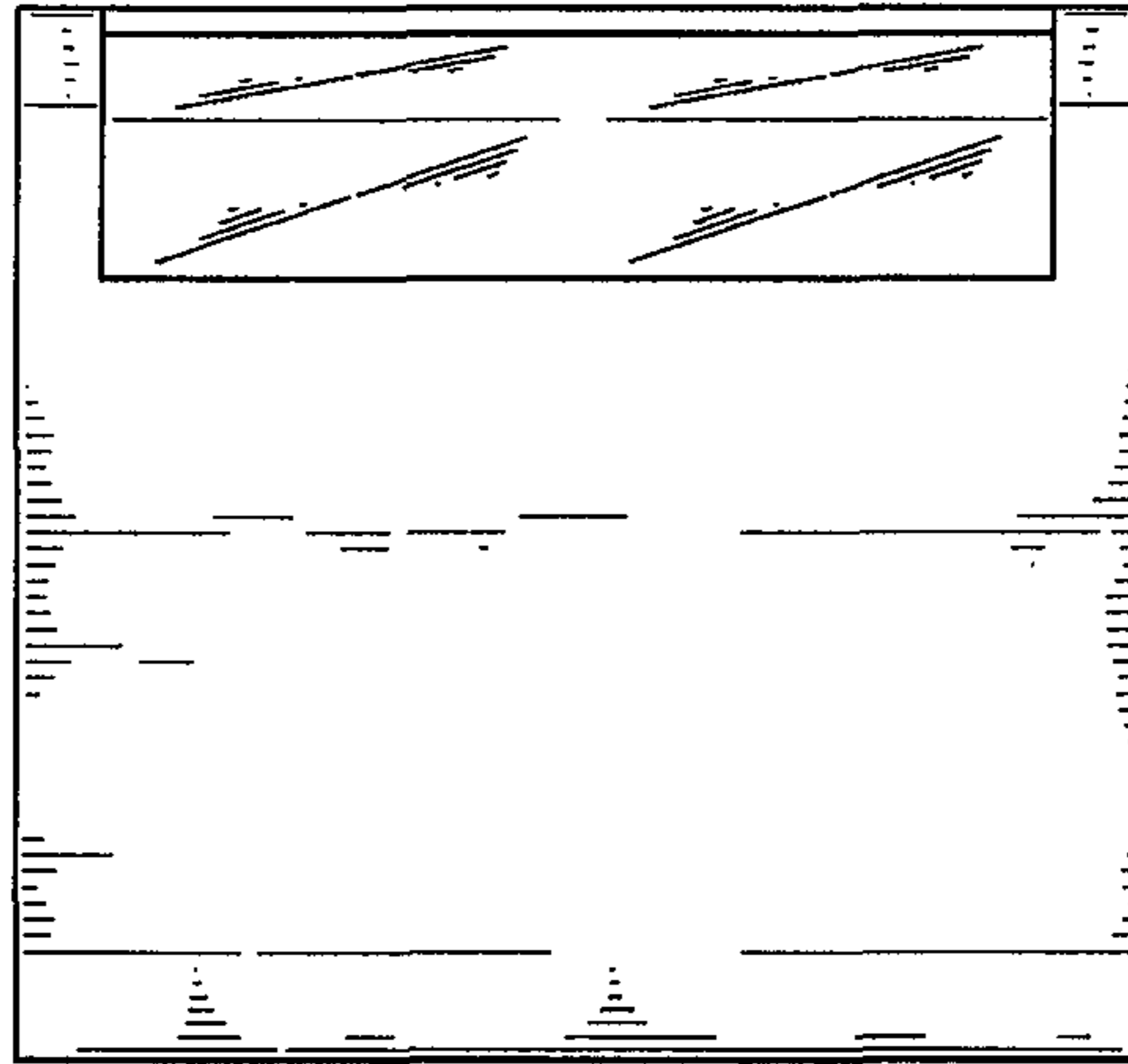


FIG. 3

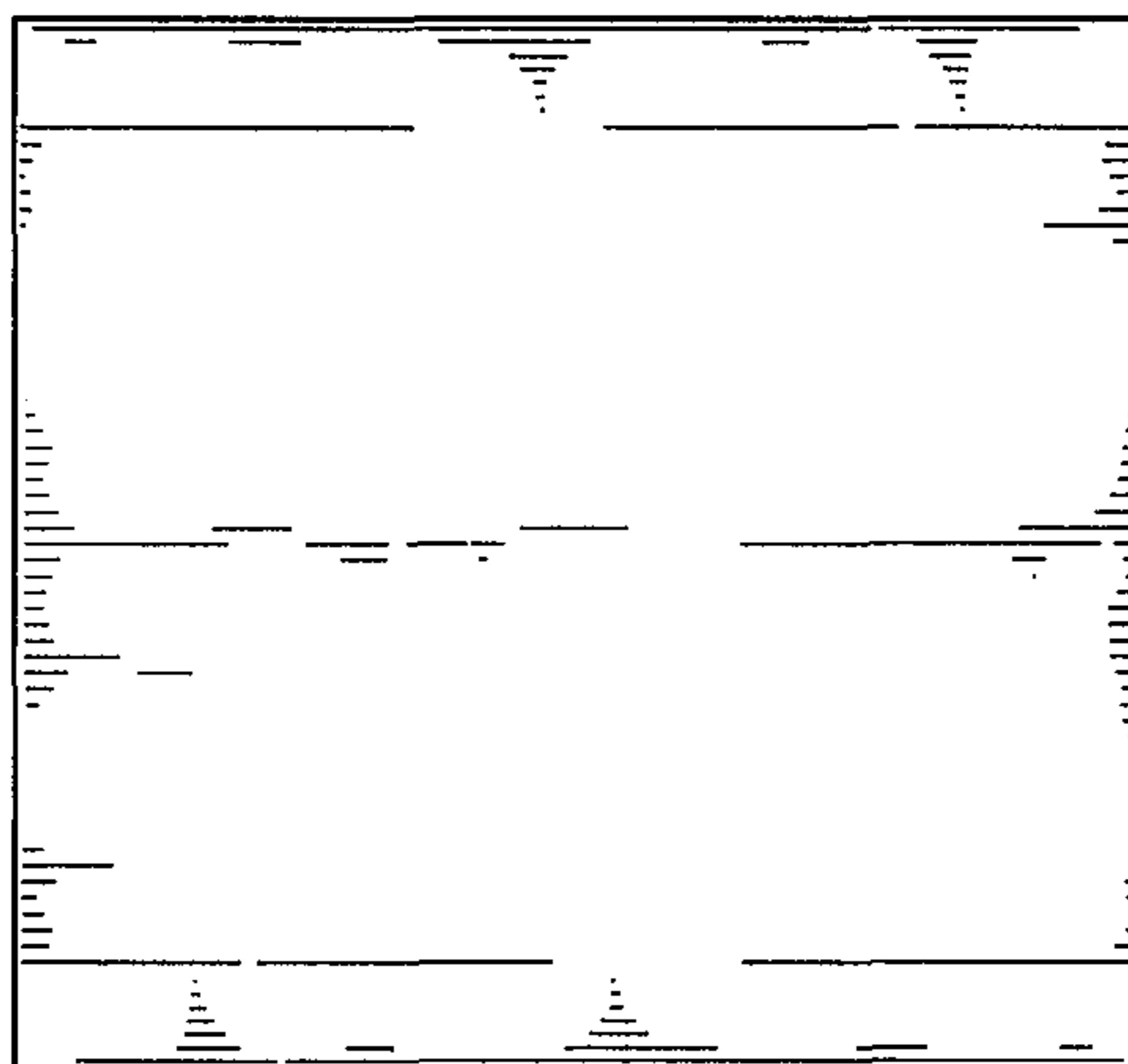


FIG. 4

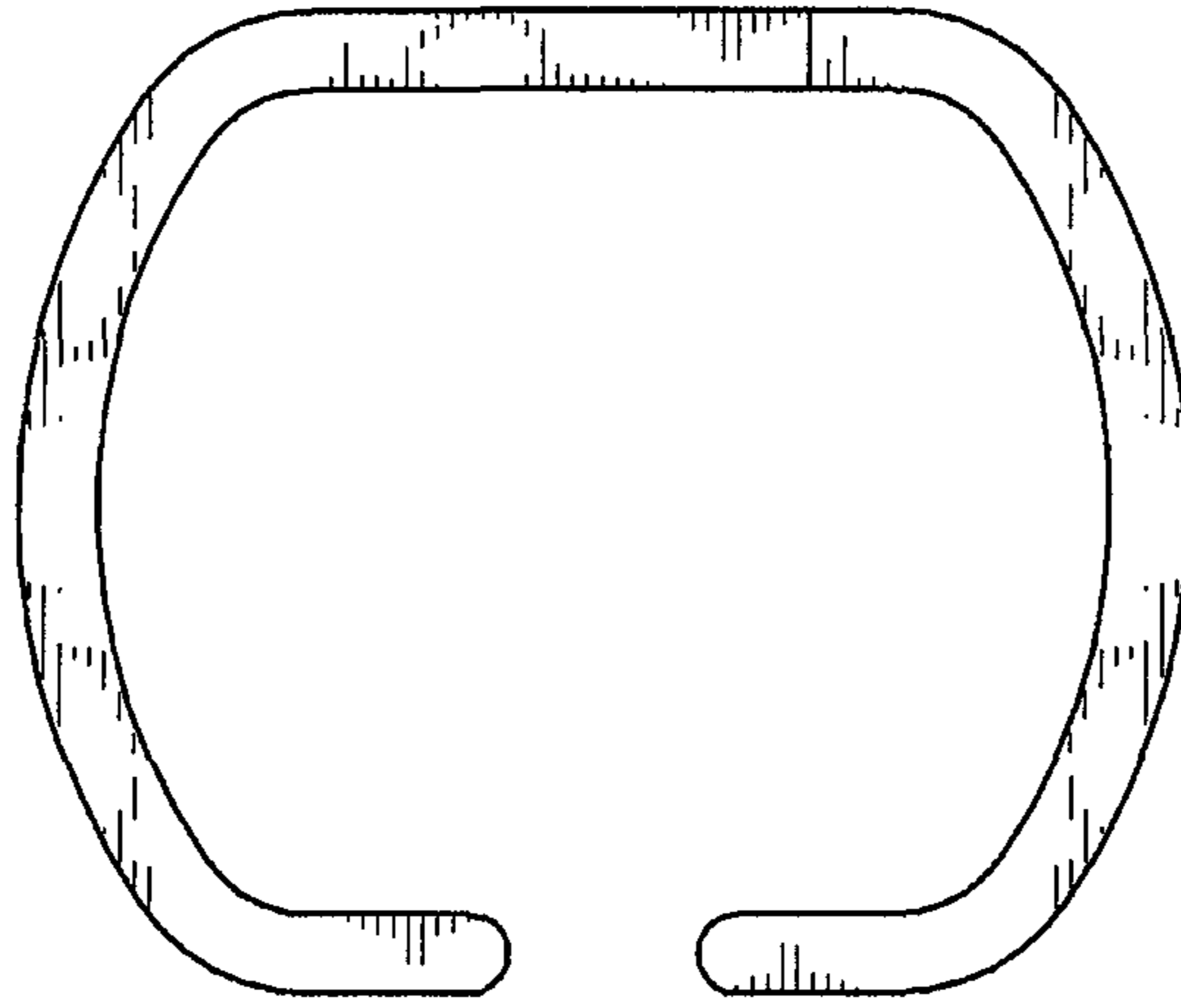


FIG. 5

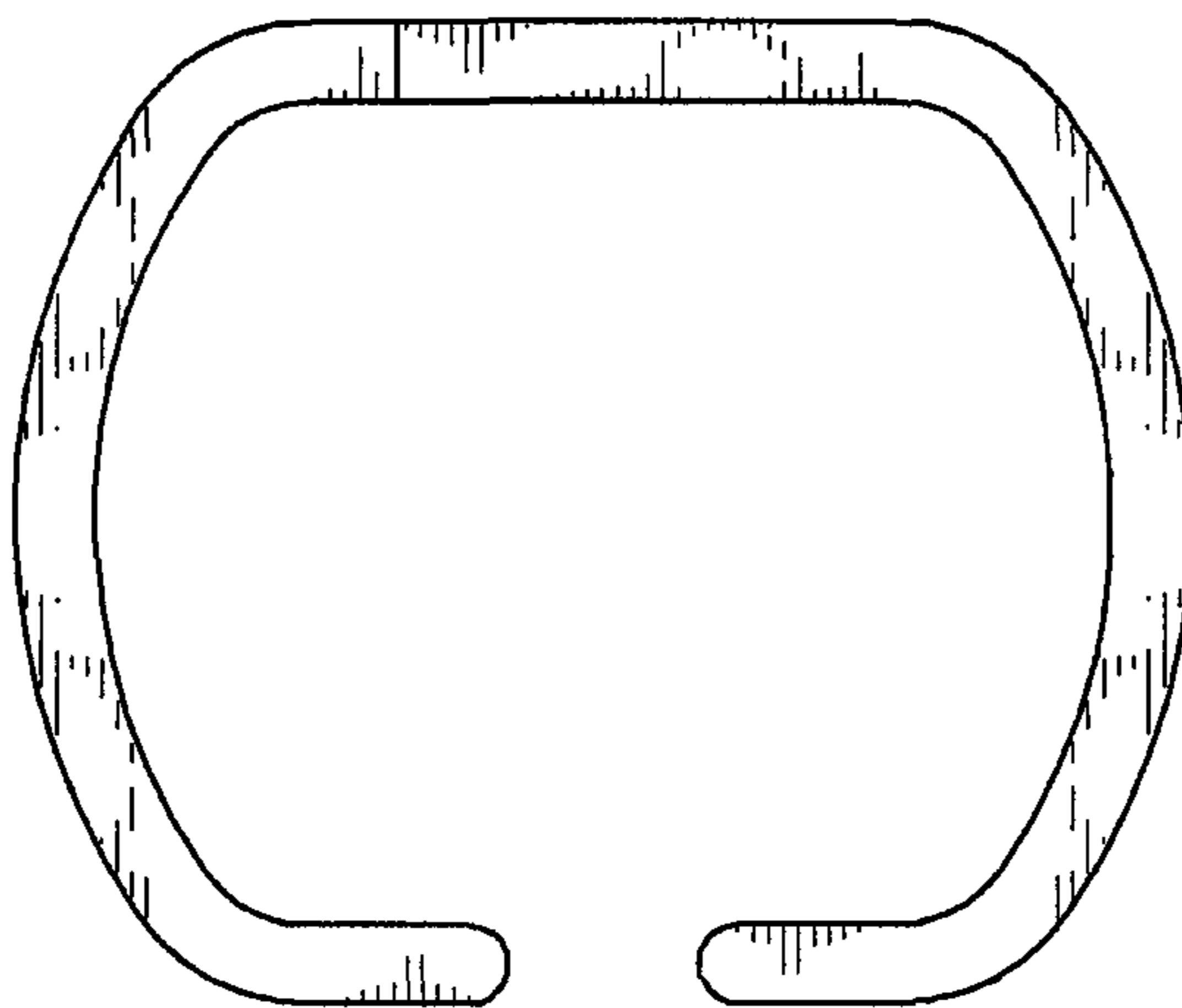


FIG. 6

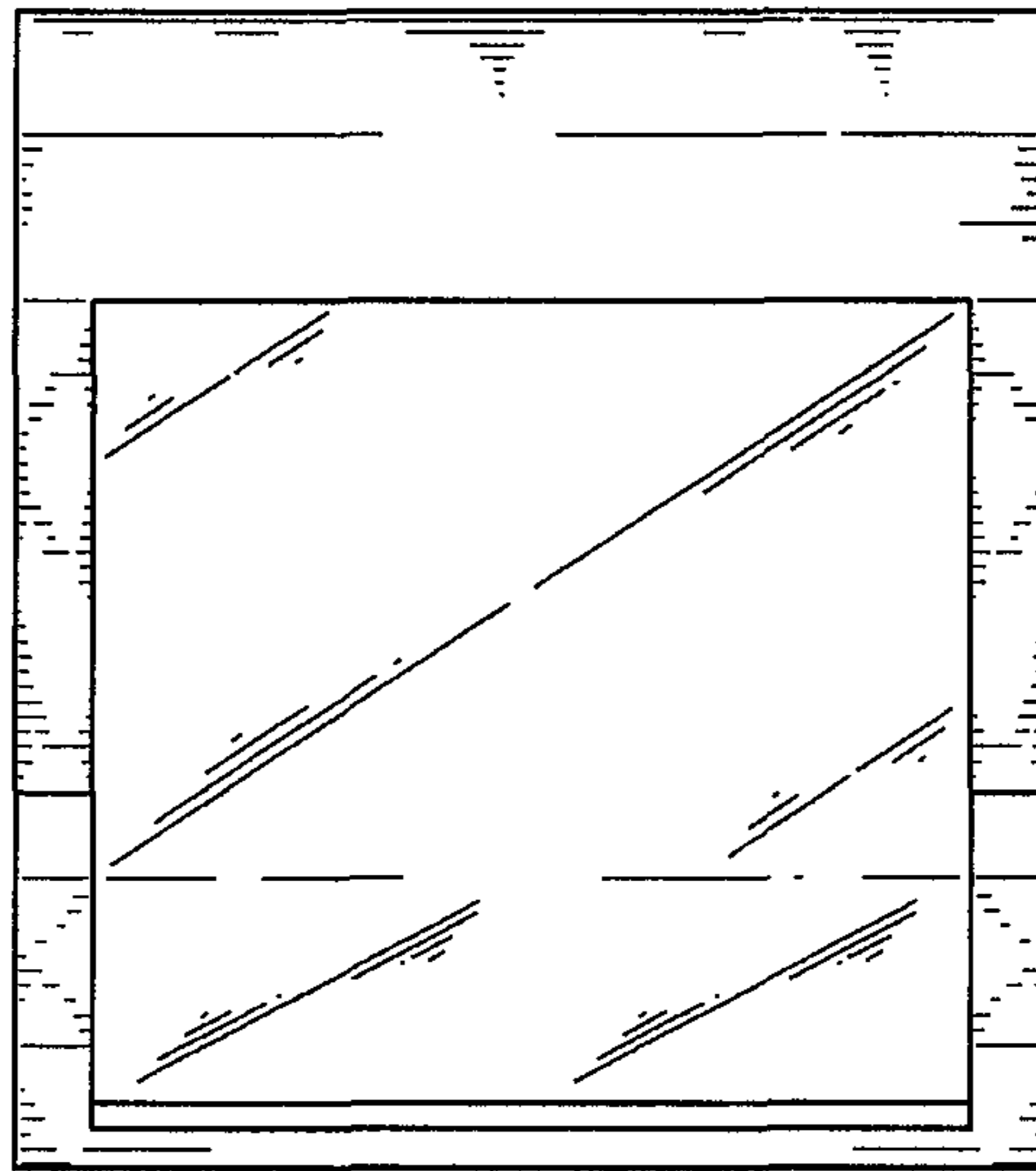


FIG. 7

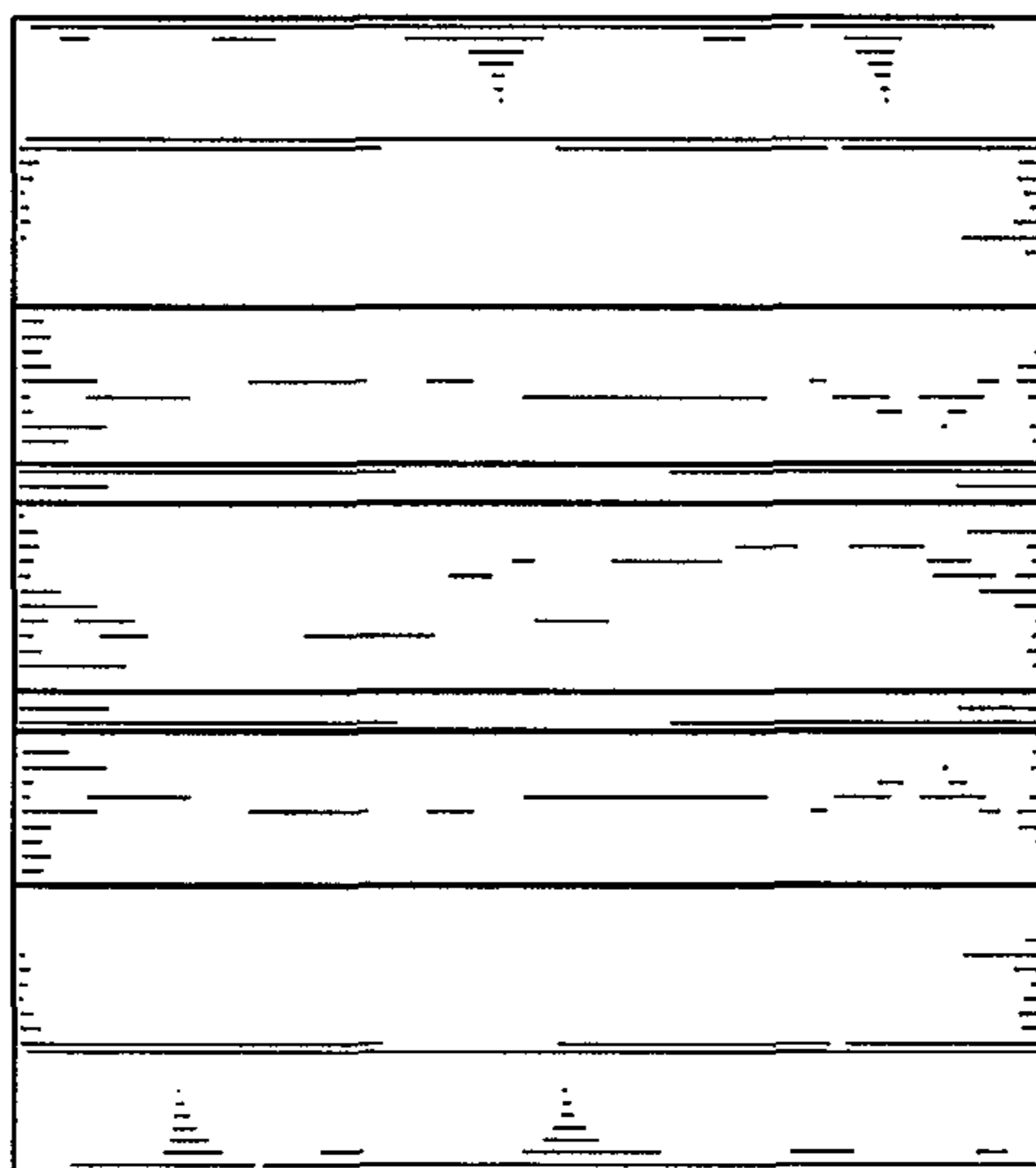


FIG. 8

