

US00D736764S

(12) **United States Design Patent**
Yagi et al.

(10) **Patent No.:** **US D736,764 S**
(45) **Date of Patent:** **** Aug. 18, 2015**

(54) **TABLET COMPUTER**

(71) Applicant: **Panasonic Corporation**, Osaka (JP)

(72) Inventors: **Ryoichi Yagi**, Osaka (JP); **Michael Shadovitz**, Osaka (JP); **Masayuki Nakajima**, Osaka (JP); **Kazuhiko Shibata**, Kyoto (JP)

(73) Assignee: **Panasonic Intellectual Property Management Co., Ltd.**, Osaka (JP)

(**) Term: **14 Years**

(21) Appl. No.: **29/475,647**

(22) Filed: **Dec. 5, 2013**

(51) **LOC (10) Cl.** **14-02**

(52) **U.S. Cl.**
USPC **D14/341**

(58) **Field of Classification Search**
USPC D14/341–347, 137, 138 R, 138 AA, D14/138 C, 138 G, 496, 203.1, 203.3, 203.4, D14/203.7, 129, 130, 147, 218, 247, 248, D14/250, 374, 371, 385, 388, 389, 315–318, D14/420, 426, 439; D6/308, 310; D10/65, D10/104.1; D19/26, 59, 60; D21/324, 329, D21/330, 332; 248/917–924; 463/37; 455/556.1, 556.2, 566, 575.1, 90.3; 379/433.04, 433.01, 433.06, 916; 345/173, 901, 905; 348/376; 361/679.21, 679.26, 679.27, 679.3, 361/679.55, 679.56, 679.59
CPC H04M 1/0202; H04M 1/0279; H04M 1/0281; H04M 1/0283; H04M 1/0214; H04M 1/0264; H04M 1/72544; H04M 1/72552; G06F 1/1613; G06F 1/1624; G06F 1/1626; G06F 1/165; G06F 3/0485; G06F 3/0488

See application file for complete search history.

(56) **References Cited**

U.S. PATENT DOCUMENTS

D649,543	S	*	11/2011	Tseng et al.	D14/315
D664,954	S	*	8/2012	Kim et al.	D14/341
D673,560	S	*	1/2013	Kim	D14/341
D687,820	S		8/2013	Kim		
D687,827	S		8/2013	Song et al.		
D689,048	S		9/2013	Wang et al.		
D690,691	S		10/2013	Hoshi et al.		
D691,104	S	*	10/2013	Park	D14/138 G
D691,994	S		10/2013	Kim et al.		
D691,996	S		10/2013	Ohshima		
D696,247	S	*	12/2013	Kim	D14/341
D696,662	S	*	12/2013	Song et al.	D14/341
D702,228	S	*	4/2014	Park	D14/341
D702,229	S	*	4/2014	Lim et al.	D14/341
D702,233	S	*	4/2014	Lee et al.	D14/341

(Continued)

OTHER PUBLICATIONS

Jurrien, Ralf, "Panasonic 4K Tablet" Jan. 14, 2013, letsgodigital.org, 2 Pages.*

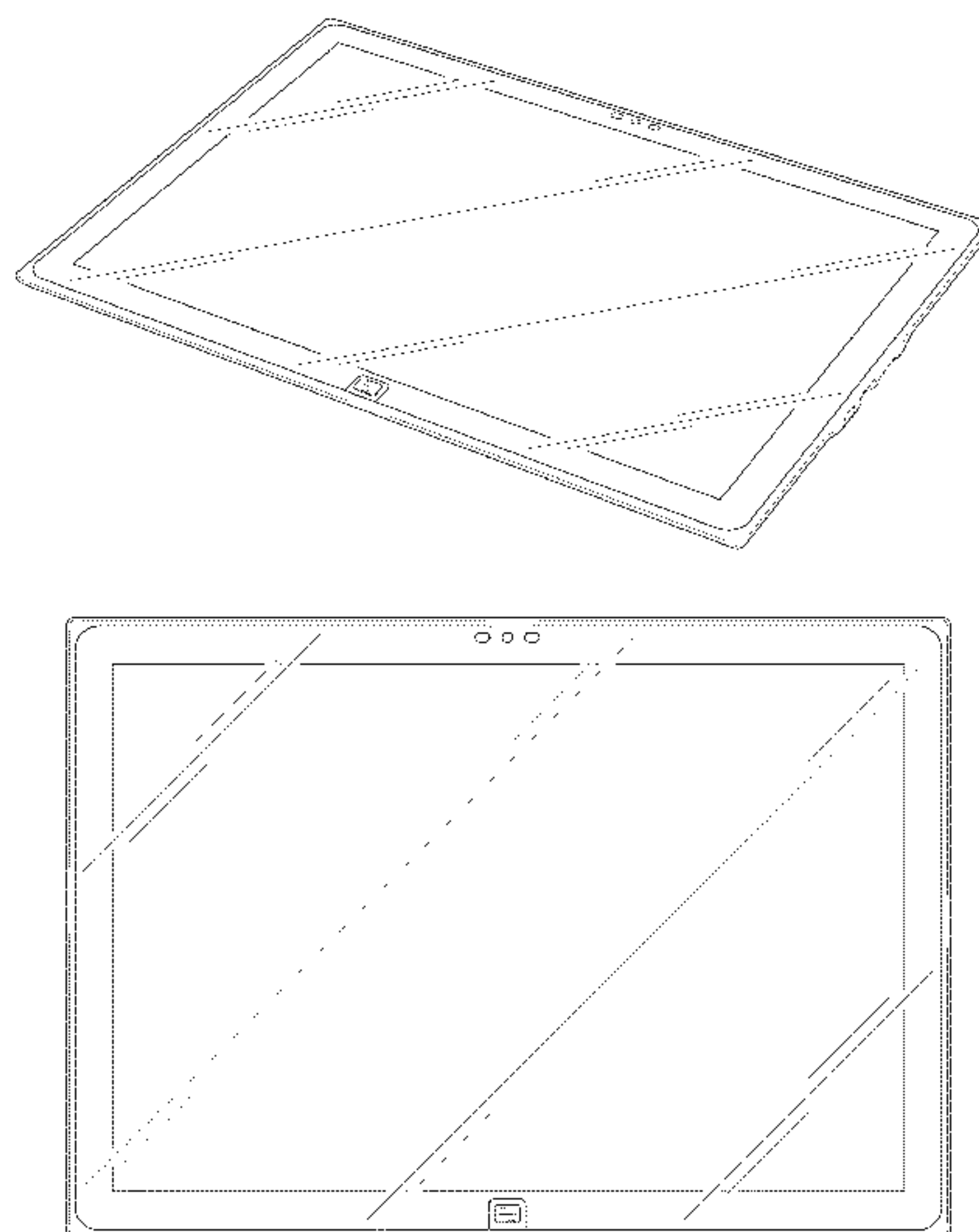
Primary Examiner — Eric Goodman
Assistant Examiner — Clese Moore, Jr.
(74) *Attorney, Agent, or Firm* — Panasonic Patent Center

(57) **CLAIM**
We claim the ornamental design for a tablet computer, as shown and described.

DESCRIPTION

FIG. 1 is a top perspective view of a tablet computer of the present invention;
FIG. 2 is a bottom perspective view thereof;
FIG. 3 is a front view thereof;
FIG. 4 is a rear view thereof;
FIG. 5 is a first side view thereof;
FIG. 6 is a second side view thereof;
FIG. 7 is a top view thereof; and,
FIG. 8 is a bottom view thereof.
The broken lines shown illustrate portions of the tablet computer that form no part of the claimed design.

1 Claim, 8 Drawing Sheets



(56)

References Cited

U.S. PATENT DOCUMENTS

D706,774 S * 6/2014 Park et al. D14/341
D711,371 S * 8/2014 Chen et al. D14/341
D712,400 S * 9/2014 Kim et al. D14/341
D712,402 S * 9/2014 Park et al. D14/341
D712,403 S * 9/2014 Park et al. D14/341
D712,899 S * 9/2014 Park et al. D14/341

D714,782 S * 10/2014 Ohshima D14/341
D715,795 S * 10/2014 McManigal D14/341
D716,799 S * 11/2014 Green et al. D14/341
D720,345 S * 12/2014 Chu et al. D14/341
D723,547 S * 3/2015 Zhou D14/341
D728,559 S * 5/2015 Lim et al. D14/341
D729,233 S * 5/2015 Lee et al. D14/341
D729,235 S * 5/2015 Nagao et al. D14/341
D732,017 S * 6/2015 Yun D14/341

* cited by examiner

FIG. 1

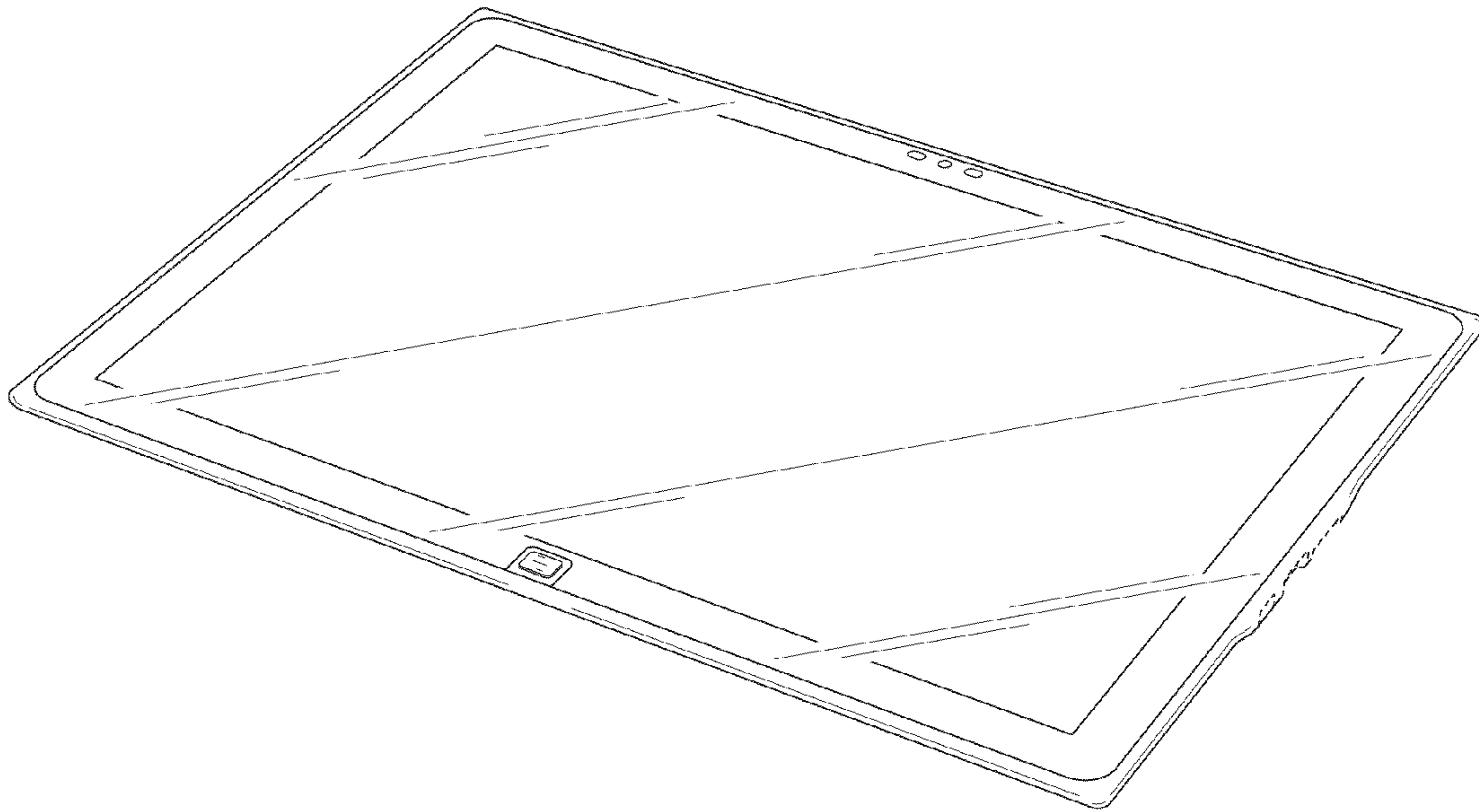


FIG. 2

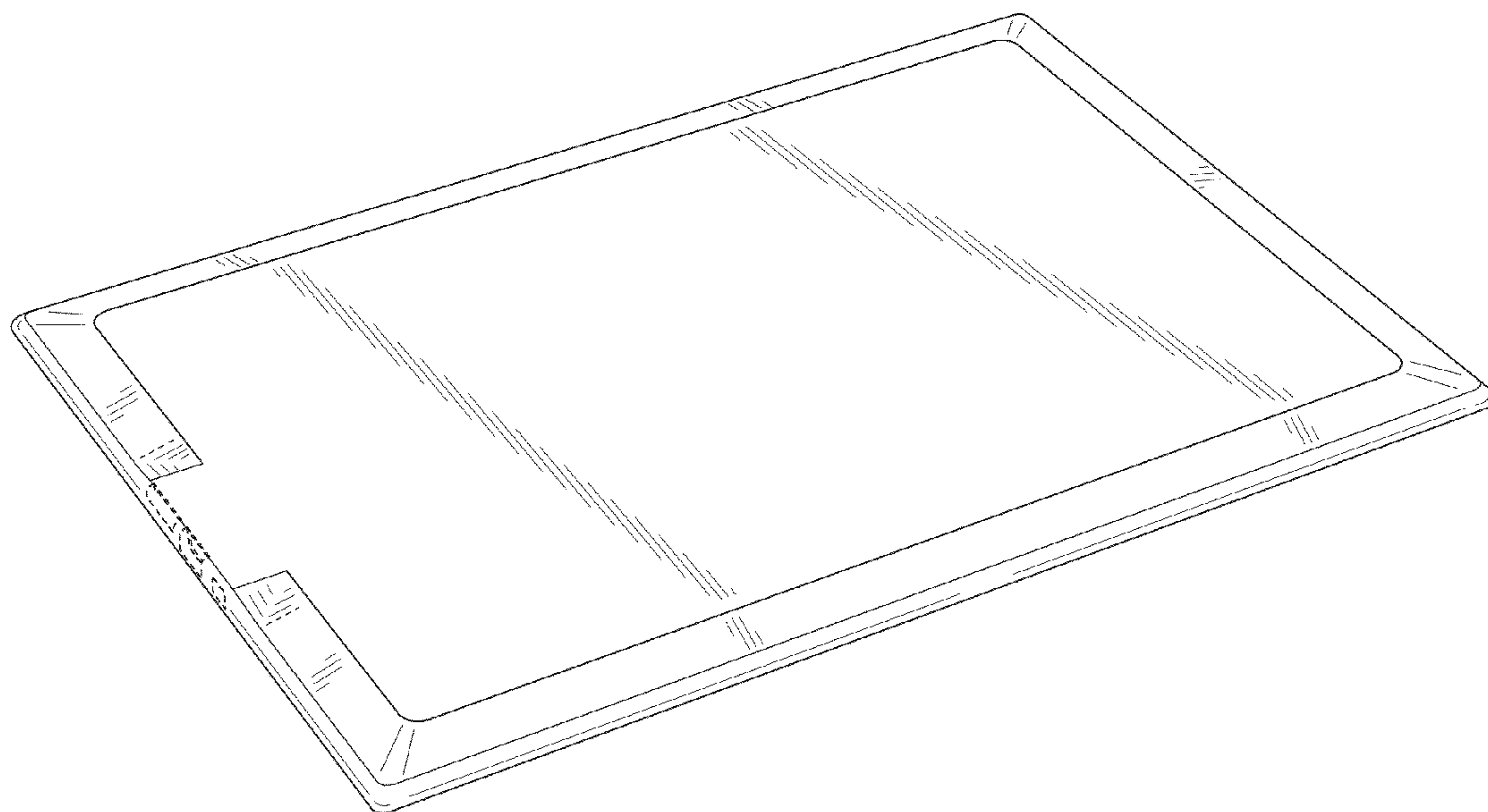


FIG. 3

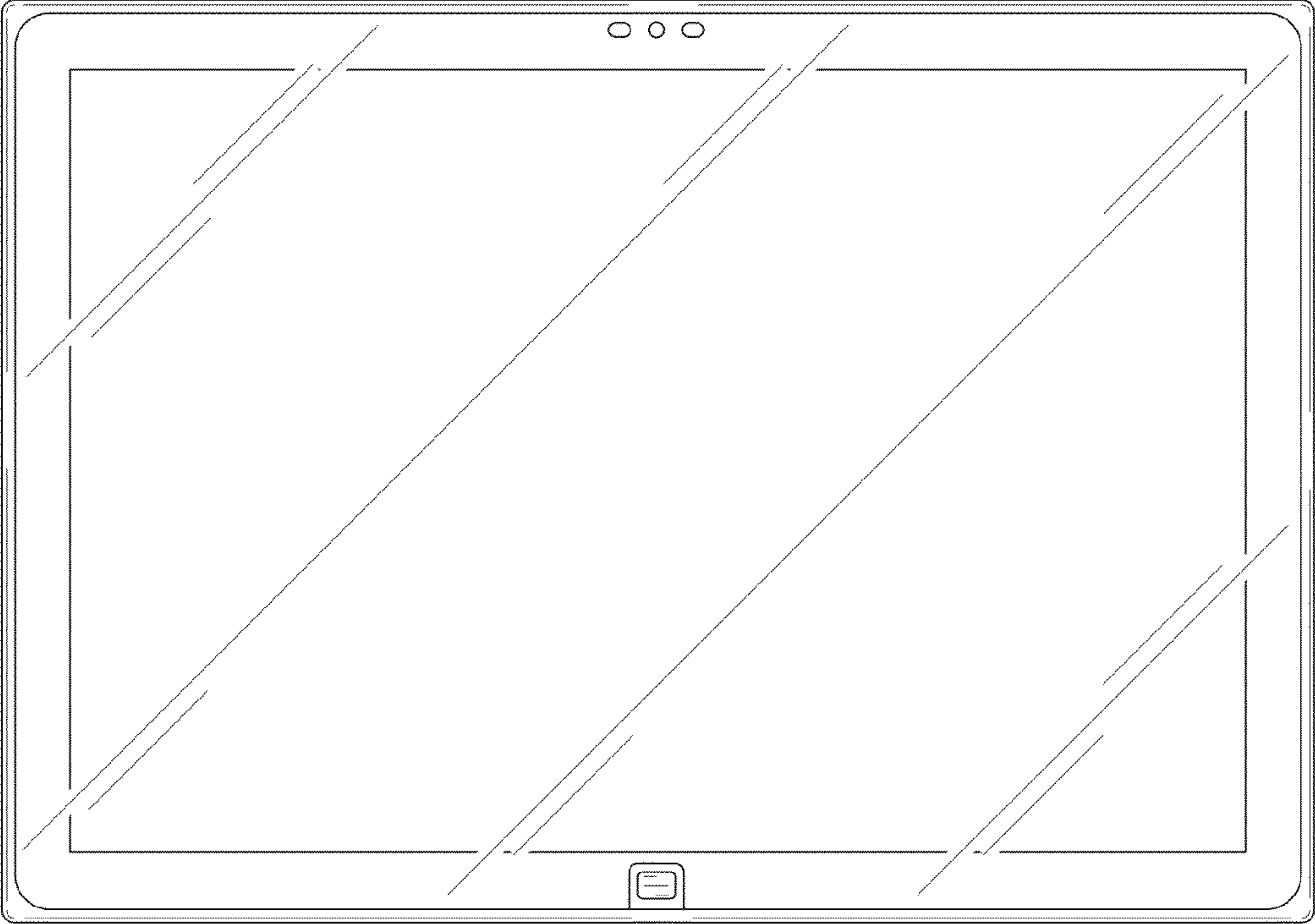


FIG. 4

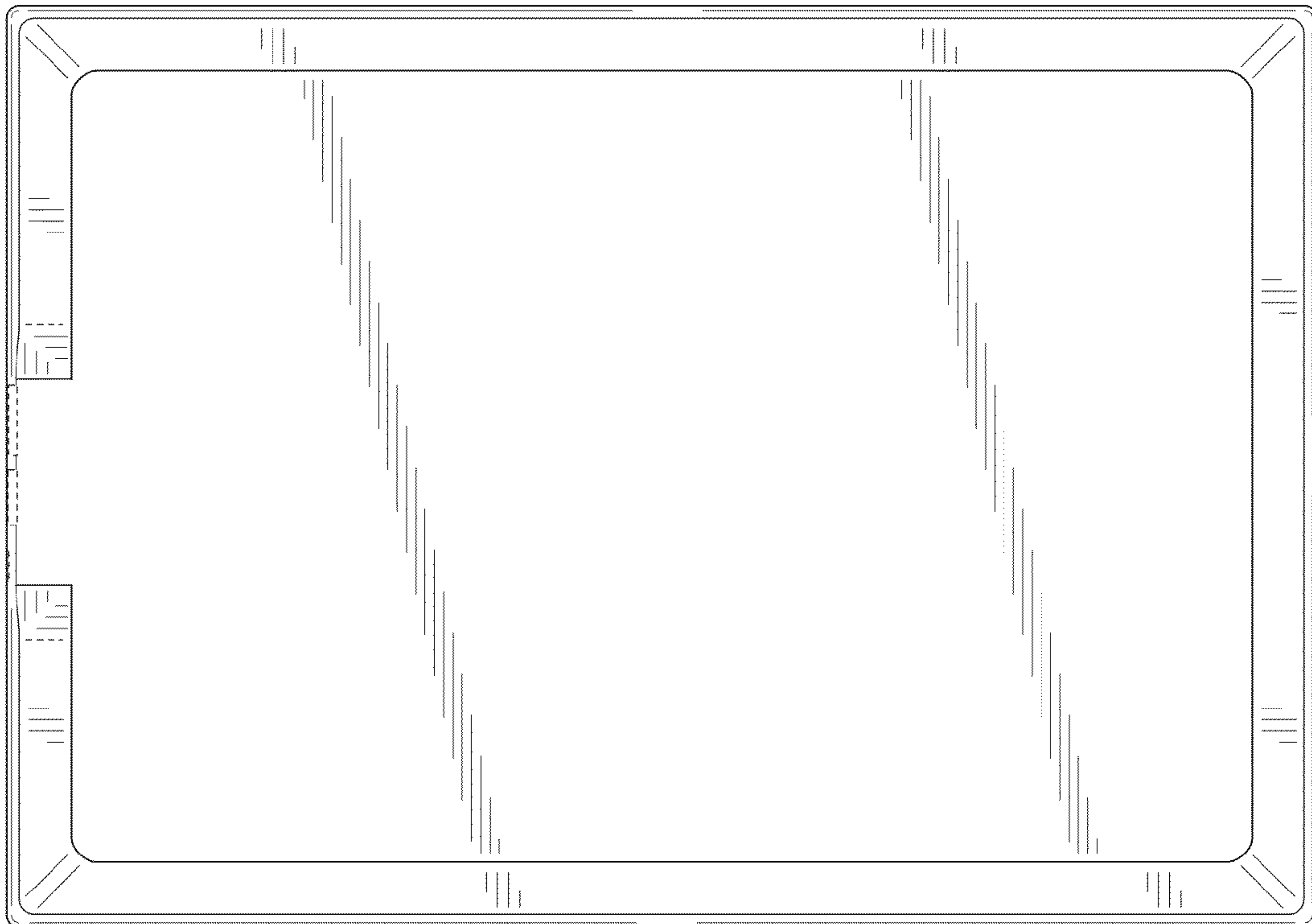


FIG. 5

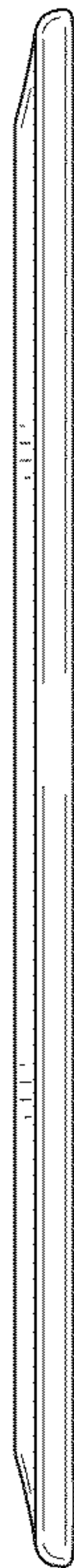


FIG. 6



FIG. 7



FIG. 8

