



US00D736760S

(12) **United States Design Patent**  
**Tanner et al.**

(10) **Patent No.:** **US D736,760 S**

(45) **Date of Patent:** **\*\* Aug. 18, 2015**

(54) **NOTEBOOK COMPUTER HOUSING**

(71) Applicant: **Google Inc.**, Mountain View, CA (US)

(72) Inventors: **James Tanner**, Los Gatos, CA (US);  
**Lawrence Lam**, San Jose, CA (US)

(73) Assignee: **Google Inc.**, Mountain View, CA (US)

(\*\*) Term: **14 Years**

(21) Appl. No.: **29/485,580**

(22) Filed: **Mar. 20, 2014**

**Related U.S. Application Data**

(62) Division of application No. 29/436,501, filed on Nov. 6, 2012, now Pat. No. Des. 708,604.

(51) **LOC (10) Cl.** ..... **14-02**

(52) **U.S. Cl.**  
USPC ..... **D14/315**

(58) **Field of Classification Search**  
USPC ..... D14/315-327; D18/1, 2, 7, 11;  
235/145 A, 145 R; 341/22, 23; 345/104,  
345/156, 168, 169, 173; 361/679.08,  
361/679.09, 679.11, 679.26, 679.27  
CPC ..... G06F 1/16; G06F 1/1616; G06F 1/162;  
G06F 1/1656; H01R 35/02; H03M 11/00;  
G09B 13/04; H03K 17/94  
See application file for complete search history.

(56) **References Cited**

**U.S. PATENT DOCUMENTS**

5,566,048 A 10/1996 Esterberg et al.  
6,775,129 B1 \* 8/2004 Ghosh et al. .... 361/679.27

D558,752 S 1/2008 Andre et al.  
D564,511 S 3/2008 Akhtar  
7,426,406 B2 \* 9/2008 Maatta et al. .... 455/575.8  
D630,221 S 1/2011 Sogabe et al.  
D635,575 S 4/2011 Masui et al.  
2002/0080576 A1 6/2002 Katagiri  
2002/0089819 A1 7/2002 Misawa et al.  
2002/0176224 A1 11/2002 Dhar et al.  
2006/0146488 A1 7/2006 Kimmel  
2006/0209503 A1 9/2006 Bovio et al.  
2006/0282985 A1 12/2006 Lu et al.  
2009/0244009 A1 \* 10/2009 Staats et al. .... 345/168

\* cited by examiner

*Primary Examiner* — Freda S Nunn

(74) *Attorney, Agent, or Firm* — Lerner, David, Littenberg, Krumholz & Mentlik, LLP

(57) **CLAIM**

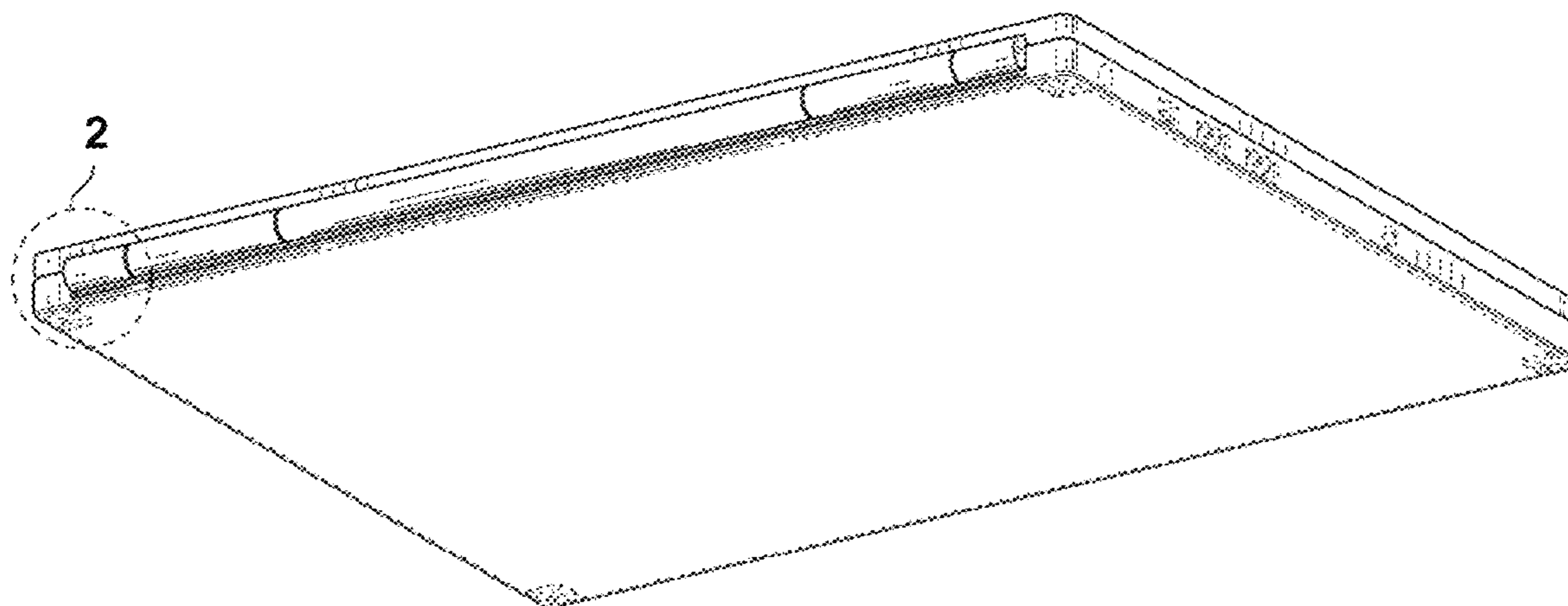
The ornamental design for a notebook computer housing, as shown and described.

**DESCRIPTION**

FIG. 1 is a rear perspective view of a notebook computer housing according to our new design;  
FIG. 2 is an enlarged detailed view of a section thereof;  
FIG. 3 is a front view thereof;  
FIG. 4 is a back view thereof;  
FIG. 5 is a right side view thereof;  
FIG. 6 is a left side view thereof;  
FIG. 7 is a top view thereof; and,  
FIG. 8 is a bottom view thereof.

The broken lines are shown for environmental purposes only and form no part of the claimed design. The dash-dot lines adjacent to the shaded areas represent the bounds of the claimed design and form no part of the claimed design.

**1 Claim, 4 Drawing Sheets**



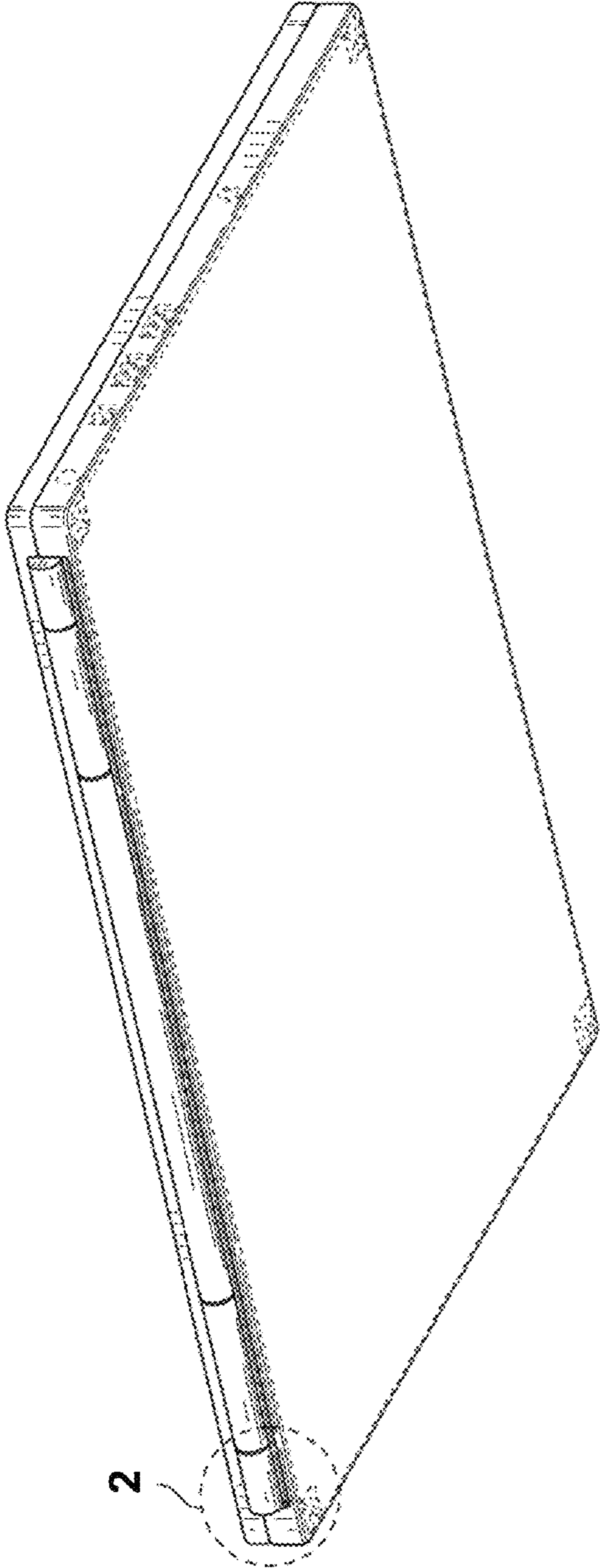


FIG. 1

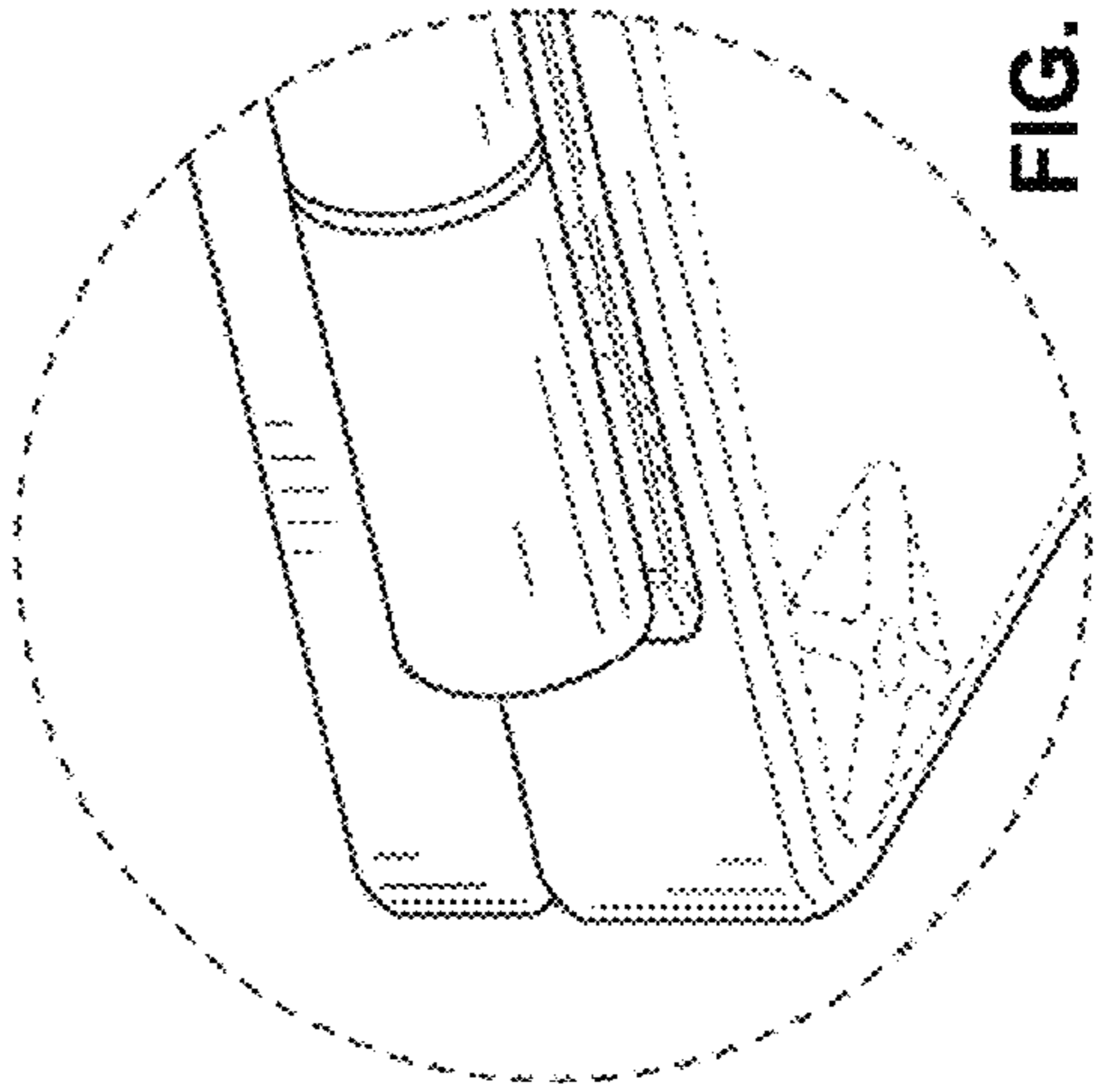


FIG. 2

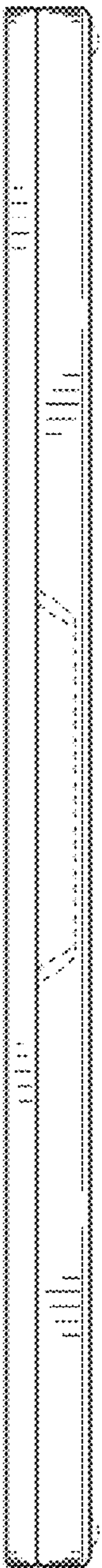


FIG. 3

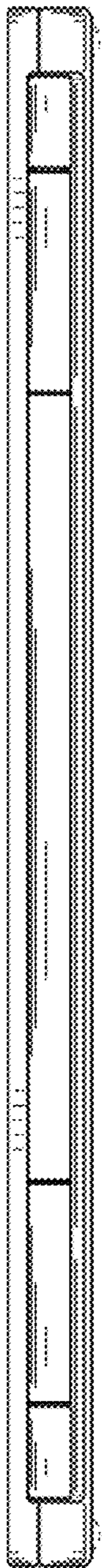


FIG. 4

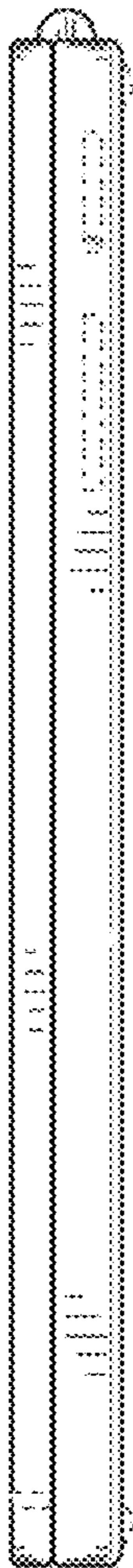


FIG. 5

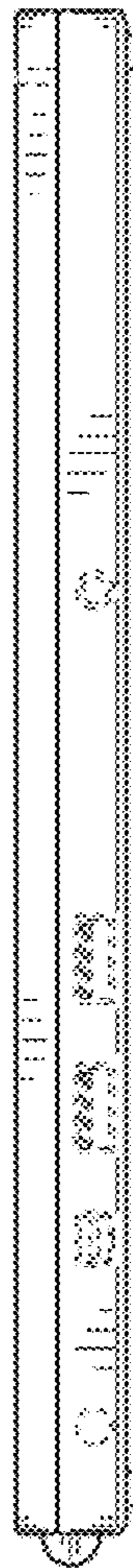


FIG. 6

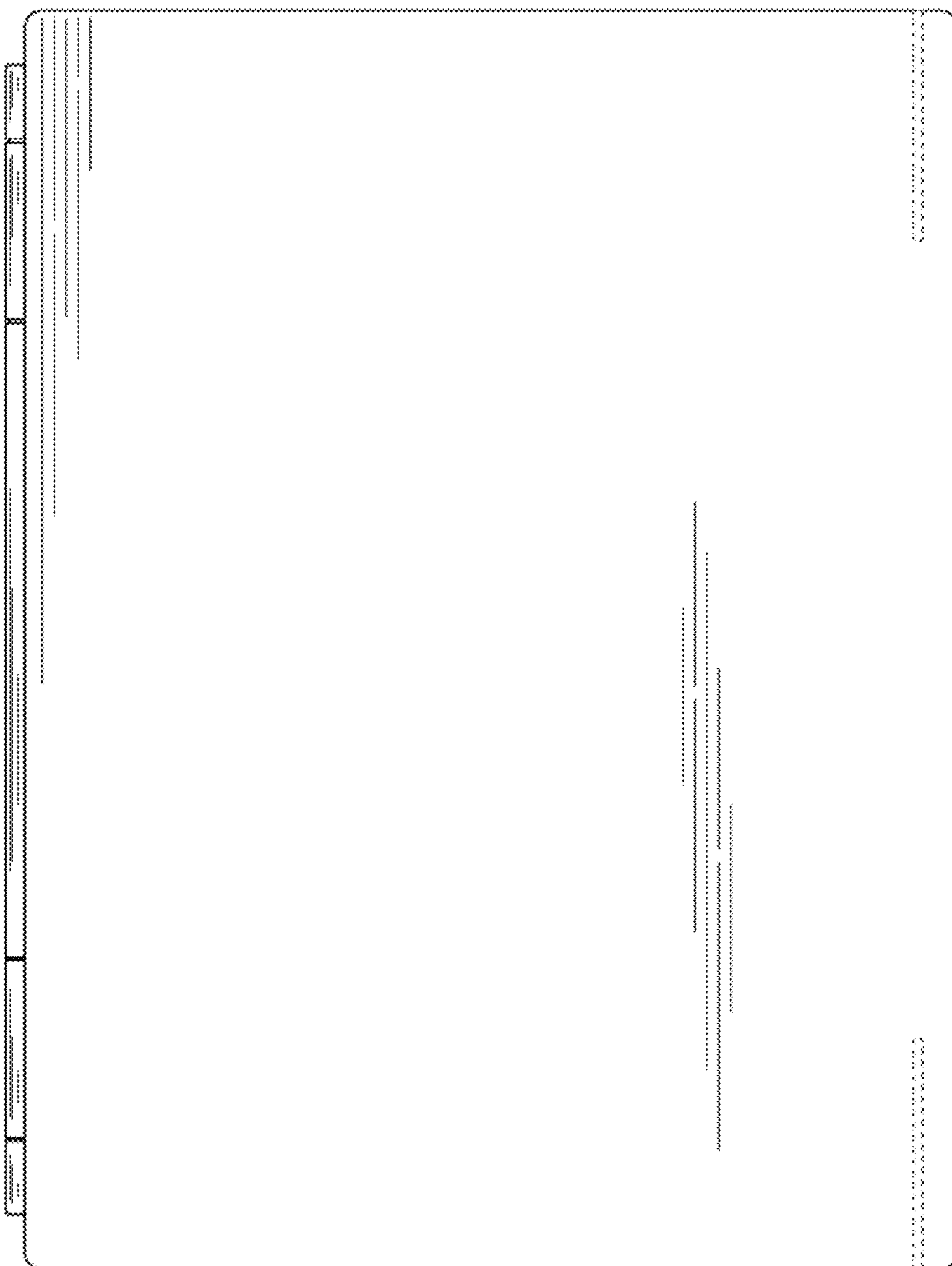


FIG. 7

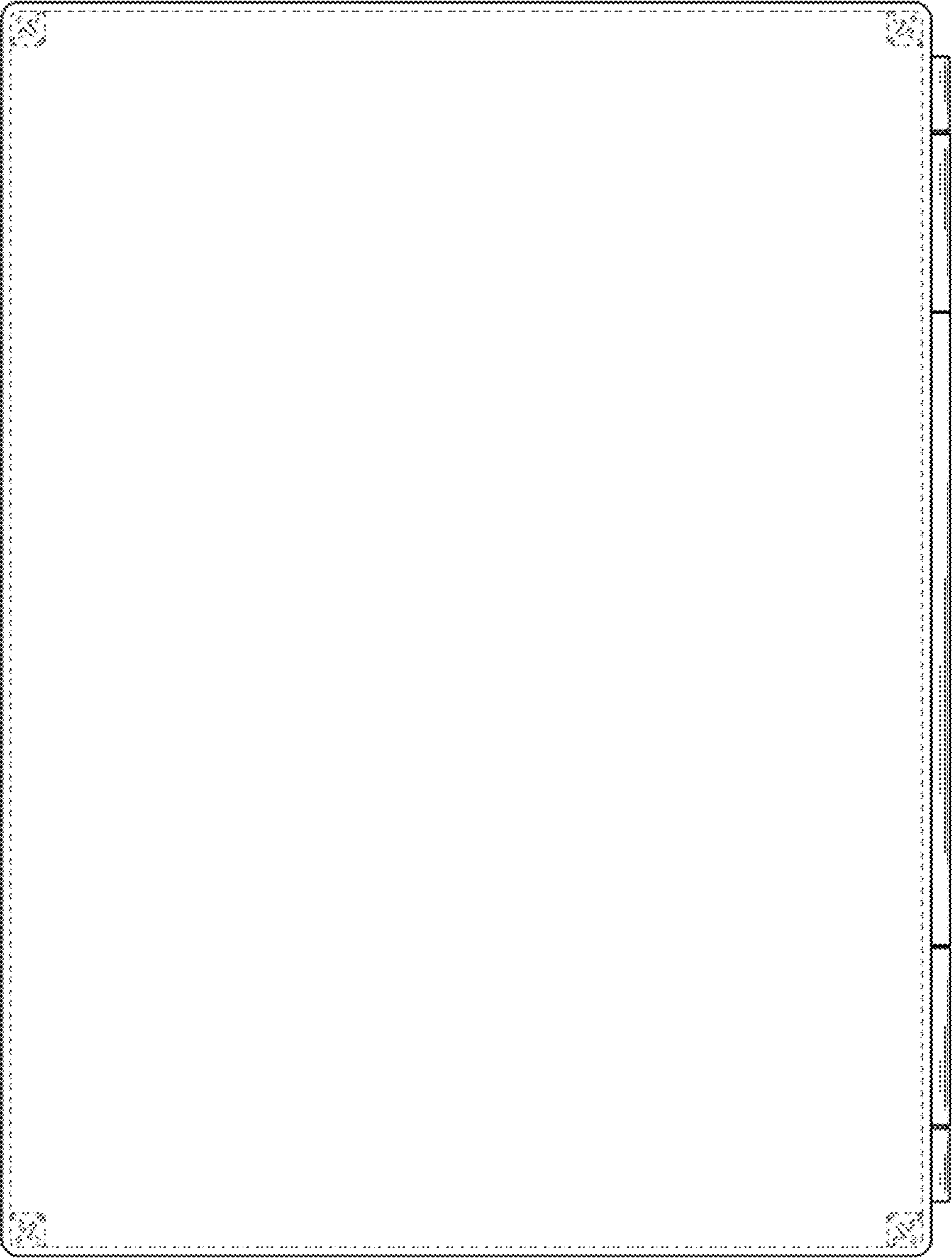


FIG. 8