

US00D736759S

(12) **United States Design Patent**  
**Yu et al.**

(10) **Patent No.:** **US D736,759 S**  
(45) **Date of Patent:** **\*\* Aug. 18, 2015**

(54) **COMPUTER CASE**

CPC ..... G06F 1/20; G06F 1/181; G06F 1/187;  
H05K 7/16; H05K 7/1424; H05H 7/20  
See application file for complete search history.

(71) Applicant: **Beijing Deepcool Industries Co., Ltd.**,  
Beijing (CN)

(56) **References Cited**

(72) Inventors: **Haibo Yu**, Beijing (CN); **Benzheng Gong**, Beijing (CN)

U.S. PATENT DOCUMENTS

(73) Assignee: **Beijing Deepcool Industries Co., Ltd.**,  
Beijing (CN)

5,027,254 A \* 6/1991 Corfits et al. .... 361/694  
D331,574 S \* 12/1992 Ito et al. .... D14/368  
D511,772 S \* 11/2005 Su et al. .... D14/300  
D575,778 S \* 8/2008 Dearborn et al. .... D14/349  
2005/0012436 A1 \* 1/2005 Lai ..... 312/223.2

(\*\*) Term: **14 Years**

\* cited by examiner

(21) Appl. No.: **29/487,732**

*Primary Examiner* — Freda S Nunn

(22) Filed: **Apr. 11, 2014**

(74) *Attorney, Agent, or Firm* — The Webb Law Firm

(30) **Foreign Application Priority Data**

(57) **CLAIM**

Oct. 14, 2013 (CN) ..... 2013 3 0483116

The ornamental design for a computer case, as shown and described.

(51) **LOC (10) Cl.** ..... **14-02**

**DESCRIPTION**

(52) **U.S. Cl.**

USPC ..... **D14/314; D14/300**

(58) **Field of Classification Search**

USPC ..... D14/240, 300, 301, 308, 313, 314,  
D14/348–356, 364–368, 441–446;  
D13/162, 184, 199; 312/223.1–223.3,  
312/351.11; 360/99.01–99.12;  
369/34.01–36.01; 361/679.31–679.33,  
361/679.37, 679.39, 679.46, 679.53, 679.4,  
361/679.41, 727

FIG. 1 is a front view of a computer case showing our new design;

FIG. 2 is a rear view thereof;

FIG. 3 is a left side view thereof;

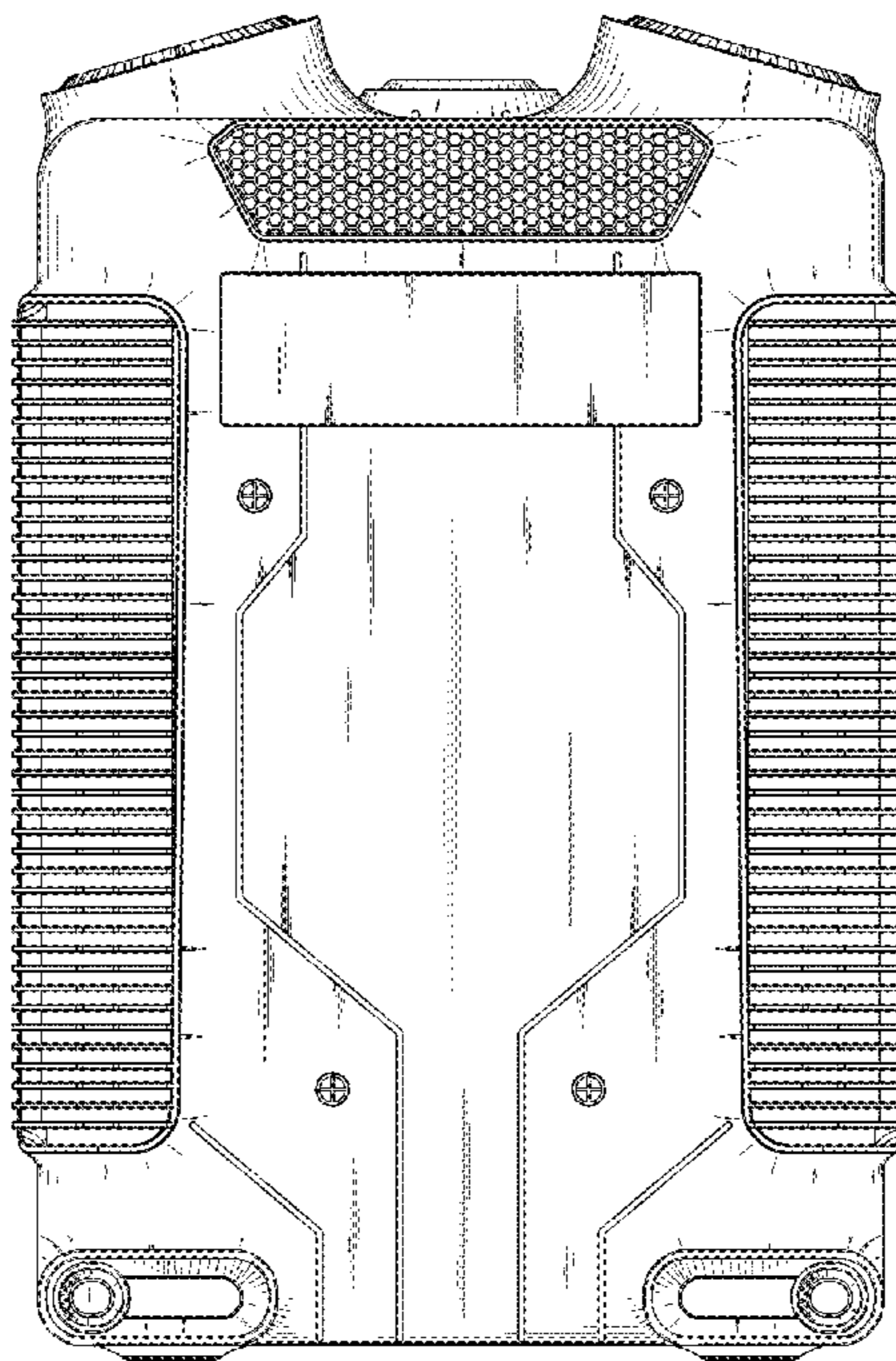
FIG. 4 is a right side view thereof;

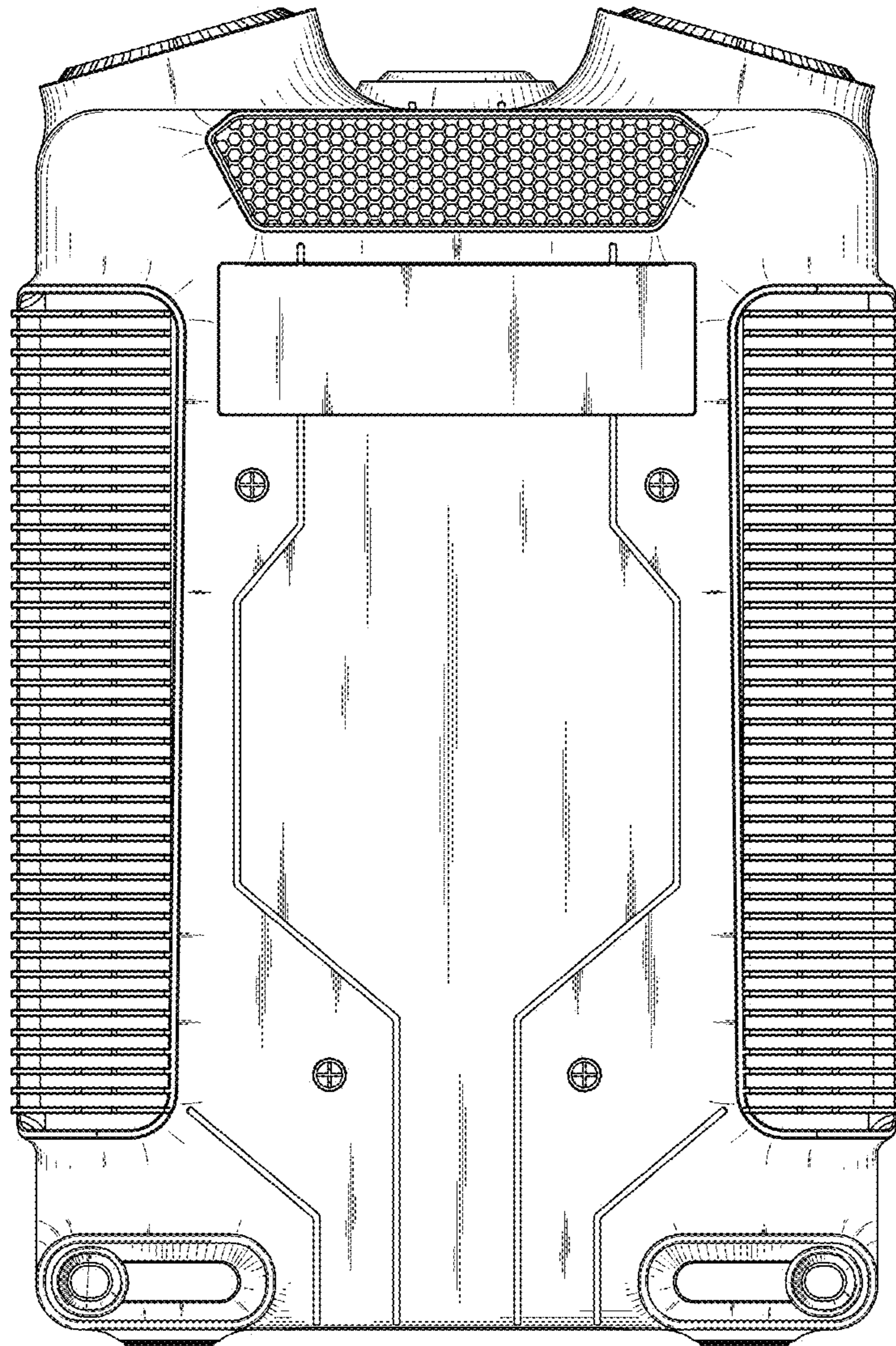
FIG. 5 is a top view thereof;

FIG. 6 is a bottom view thereof; and,

FIG. 7 is an upper right front perspective view thereof.

**1 Claim, 7 Drawing Sheets**





**FIG. 1**

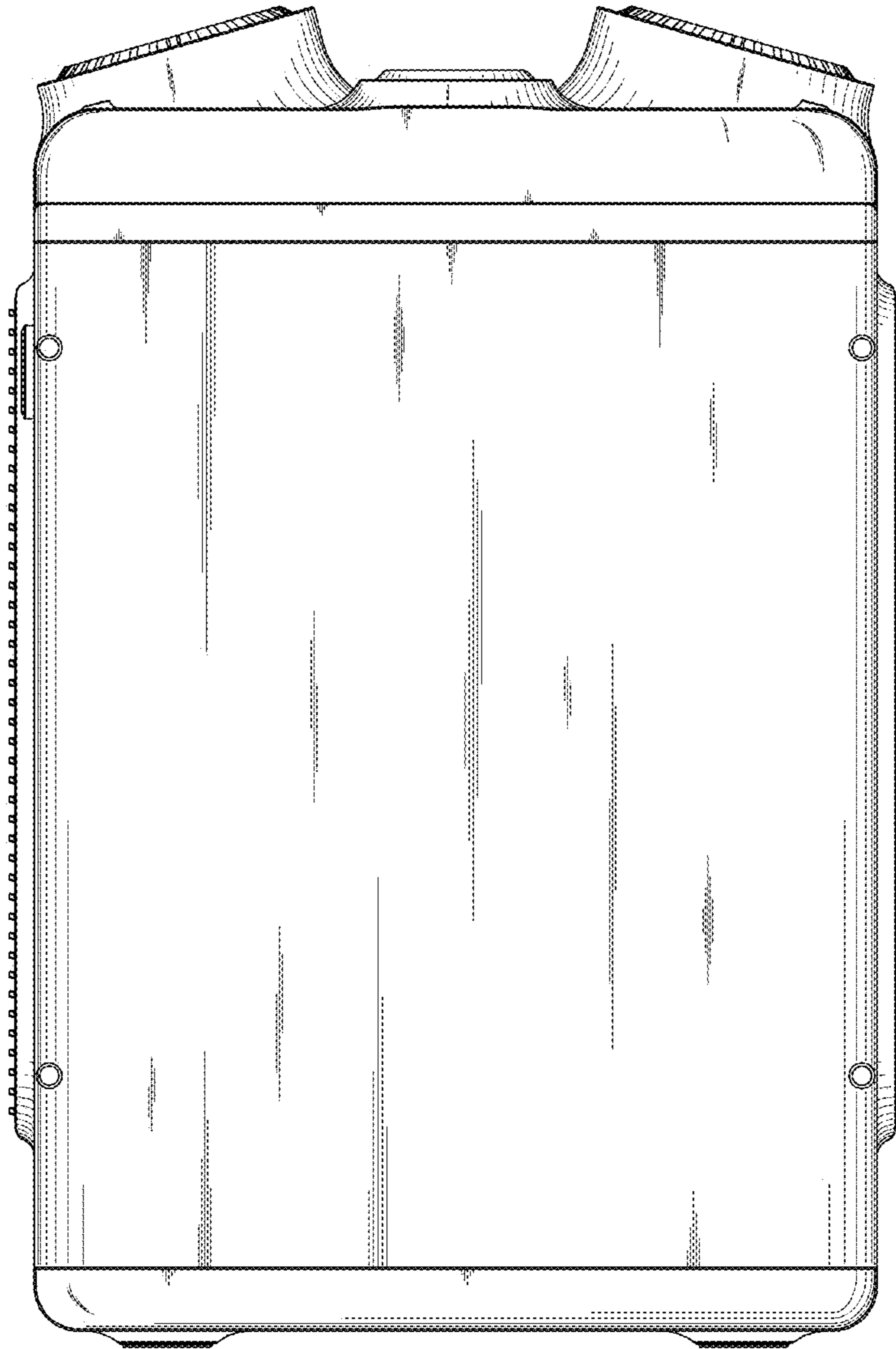


FIG. 2

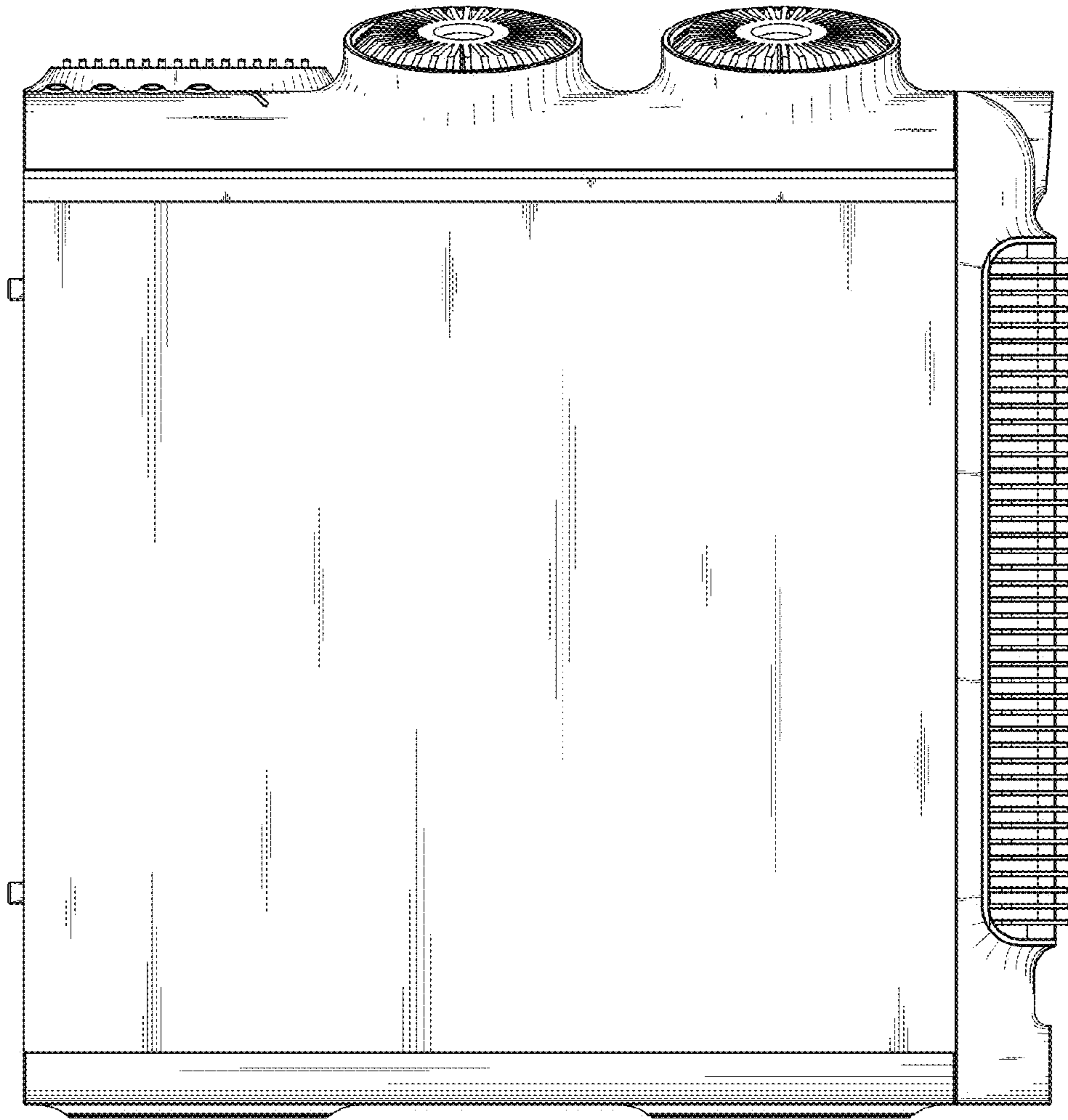


FIG. 3

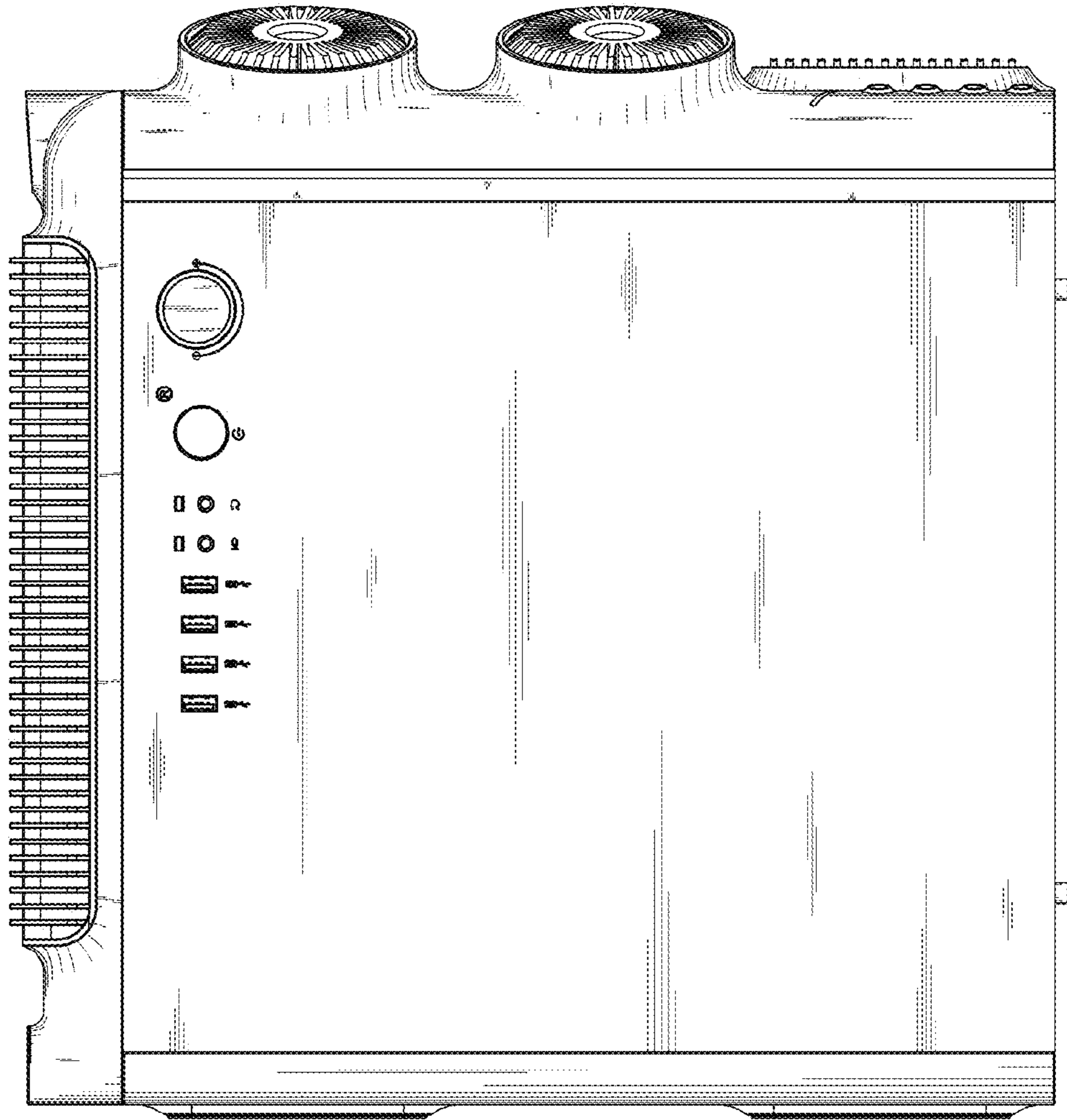


FIG. 4

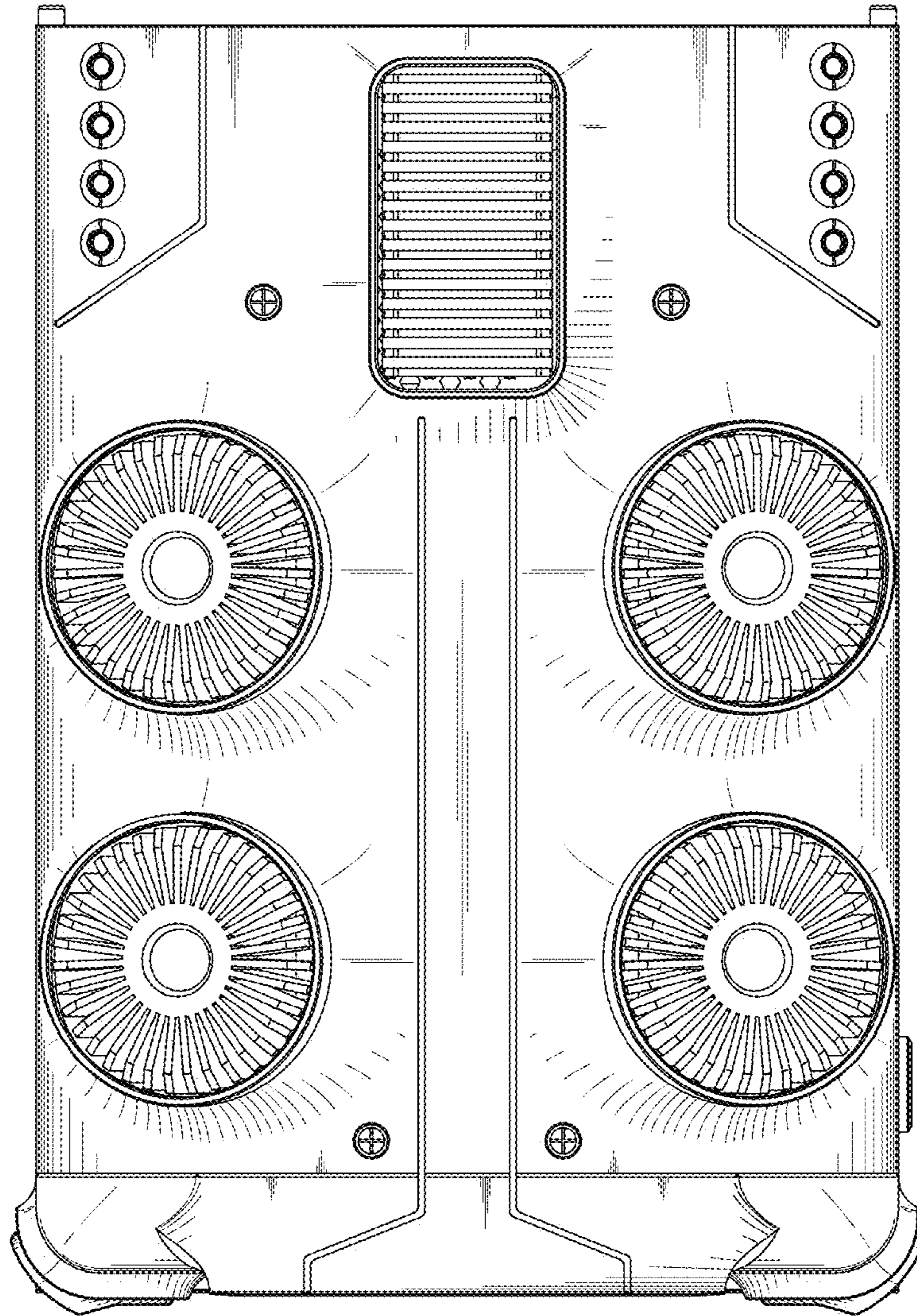
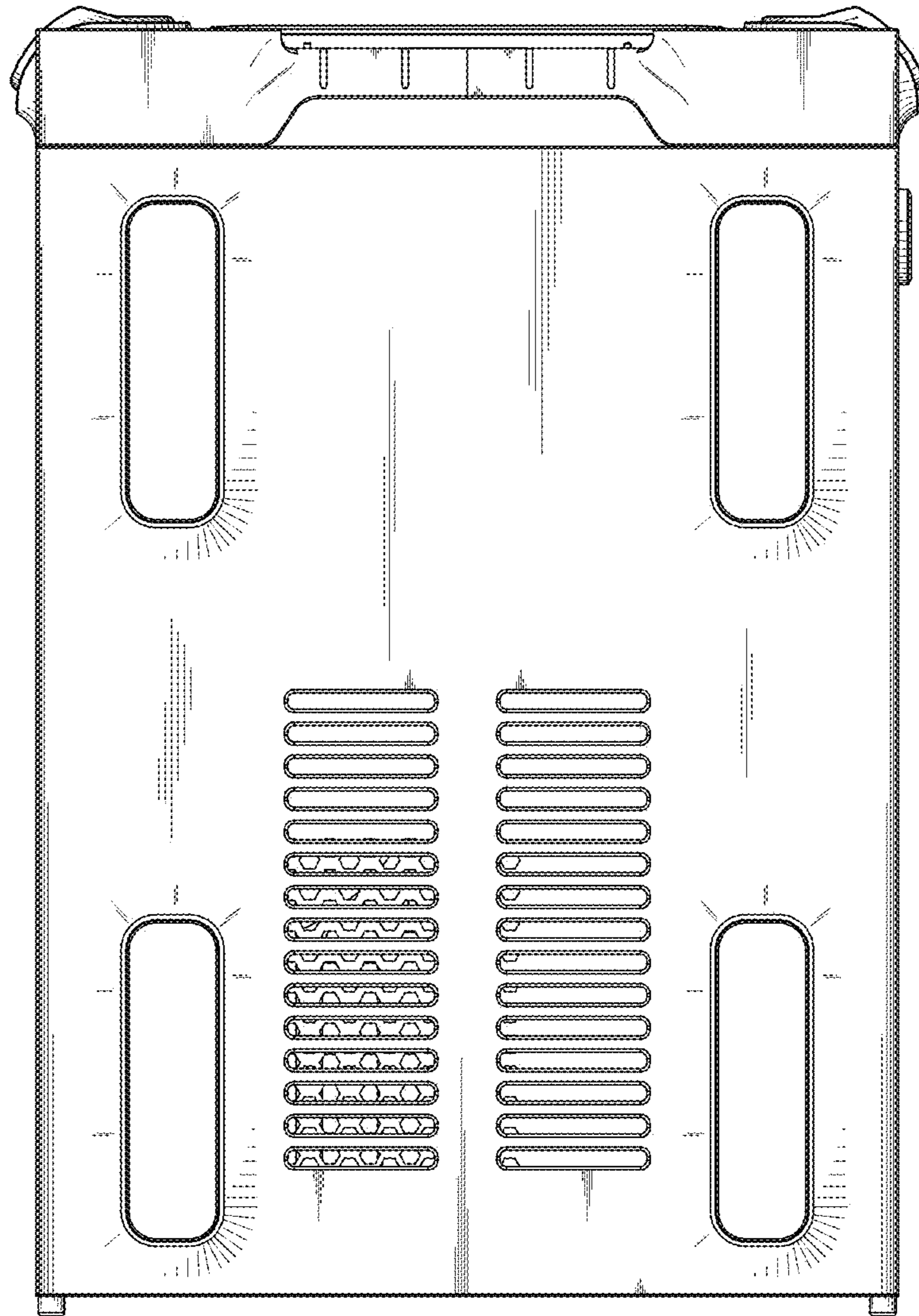
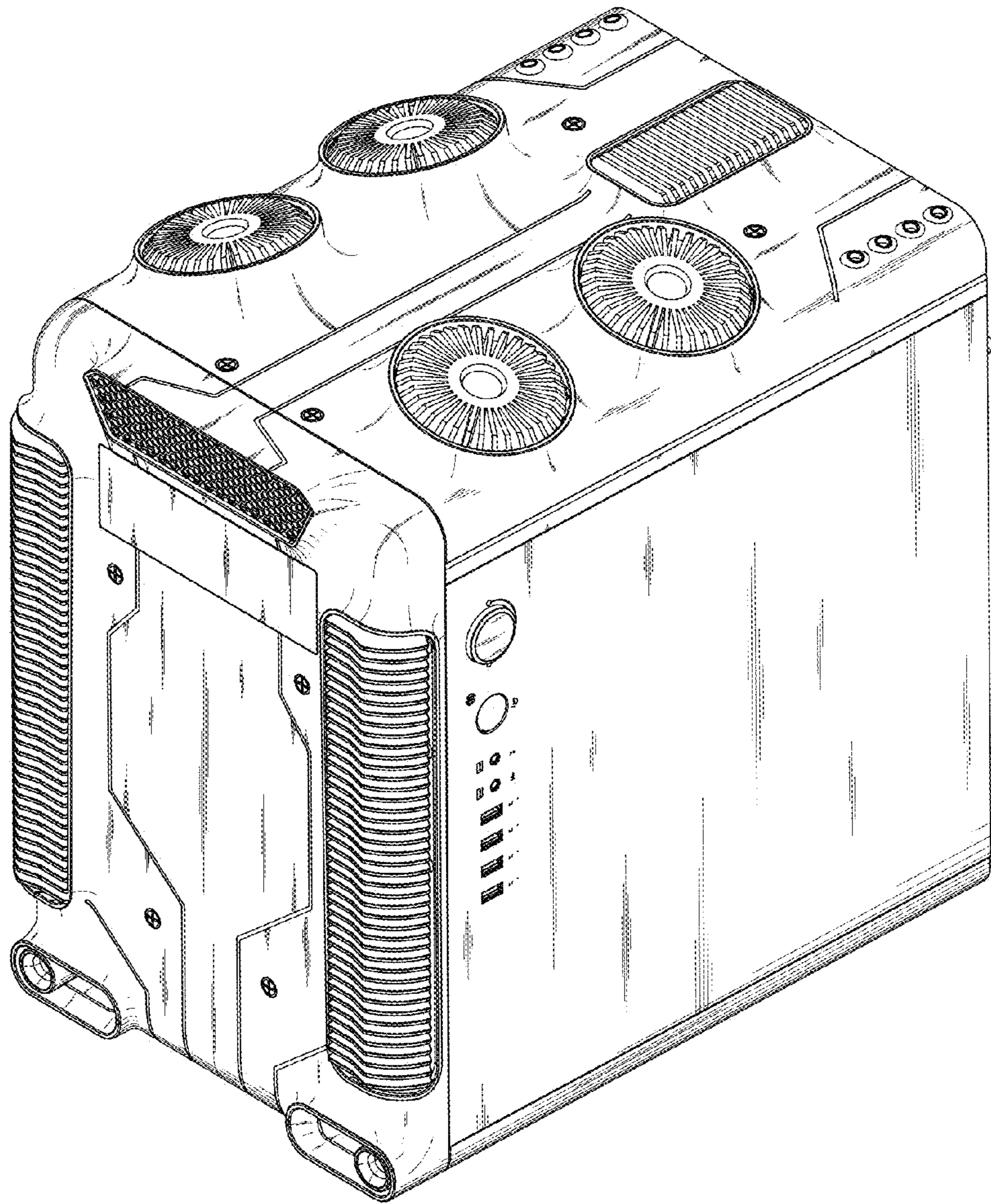


FIG. 5



**FIG. 6**



**FIG. 7**