



US00D736749S

(12) **United States Design Patent**  
**Yasuda**

(10) **Patent No.:** **US D736,749 S**  
(45) **Date of Patent:** **\*\* Aug. 18, 2015**

(54) **EARPHONE**

(71) Applicant: **Panasonic Corporation**, Osaka (JP)

(72) Inventor: **Tomohiro Yasuda**, Osaka (JP)

(73) Assignee: **Panasonic Intellectual Property Management Co., Ltd.**, Osaka (JP)

(\*\*) Term: **14 Years**

(21) Appl. No.: **29/503,480**

(22) Filed: **Sep. 26, 2014**

(30) **Foreign Application Priority Data**

May 30, 2014 (JP) ..... 2014-011604

(51) **LOC (10) Cl.** ..... **14-01**

(52) **U.S. Cl.**  
USPC ..... **D14/223**

(58) **Field of Classification Search**  
USPC ..... D14/223; 181/129, 130, 135; 379/430,  
379/431; 381/380, 381; 455/90.3, 575.1  
CPC ..... H04R 1/10  
See application file for complete search history.

(56) **References Cited**

**U.S. PATENT DOCUMENTS**

D531,169 S	*	10/2006	Tokioka et al.	.....	D14/223
D573,978 S	*	7/2008	Ledbetter et al.	.....	D14/205
D600,675 S	*	9/2009	Lee et al.	.....	D14/205
D602,475 S	*	10/2009	Martin	.....	D14/223
D623,171 S	*	9/2010	Chen et al.	.....	D14/223
D627,764 S	*	11/2010	Tsai et al.	.....	D14/223
D628,193 S	*	11/2010	Zheng	.....	D14/223
D628,564 S	*	12/2010	Chong et al.	.....	D14/223
D637,585 S	*	5/2011	Nagayama et al.	.....	D14/223
D641,008 S	*	7/2011	Lee et al.	.....	D14/223
D660,290 S	*	5/2012	Weedon	.....	D14/223
D674,377 S	*	1/2013	Schaefer	.....	D14/223
D678,251 S	*	3/2013	Cantoni et al.	.....	D14/223
D683,334 S	*	5/2013	Gondo	.....	D14/223

D685,767 S	*	7/2013	Kelly et al.	.....	D14/223
D686,597 S	*	7/2013	Lee et al.	.....	D14/223
D690,685 S	*	10/2013	Iacovelli et al.	.....	D14/223
D697,058 S	*	1/2014	Thompson et al.	.....	D14/223
D701,196 S	*	3/2014	Kelly et al.	.....	D14/223
D707,652 S	*	6/2014	Brunner et al.	.....	D14/205
D708,599 S	*	7/2014	Ang	.....	D14/223
D709,482 S	*	7/2014	Ang	.....	D14/223
D710,334 S	*	8/2014	Yang	.....	D14/223
8,831,266 B1	*	9/2014	Huang	.....	381/380
D717,772 S	*	11/2014	Yang	.....	D14/223
D718,286 S	*	11/2014	Yang	.....	D14/223
D718,744 S	*	12/2014	Thompson et al.	.....	D14/223
D719,550 S	*	12/2014	Yang	.....	D14/223
D725,626 S	*	3/2015	Kalhok	.....	D14/205

**FOREIGN PATENT DOCUMENTS**

JP D1411492 4/2011

\* cited by examiner

*Primary Examiner* — Paula Greene

(74) *Attorney, Agent, or Firm* — Panasonic Patent Center

(57) **CLAIM**

I claim the ornamental design for an earphone, as shown and described.

**DESCRIPTION**

FIG. 1 is a front perspective view of an earphone of the present invention;  
FIG. 2 is a front view thereof;  
FIG. 3 is a rear view thereof;  
FIG. 4 is a first side view thereof;  
FIG. 5 is a second side view thereof;  
FIG. 6 is a top view thereof;  
FIG. 7 is a bottom view thereof; and,  
FIG. 8 is an end view taken along the line 8-8 in FIG. 2 with the internal parts being omitted.  
The broken line showing of earphone is included for the purpose of illustrating environment and forms no part of the claimed design.

**1 Claim, 8 Drawing Sheets**

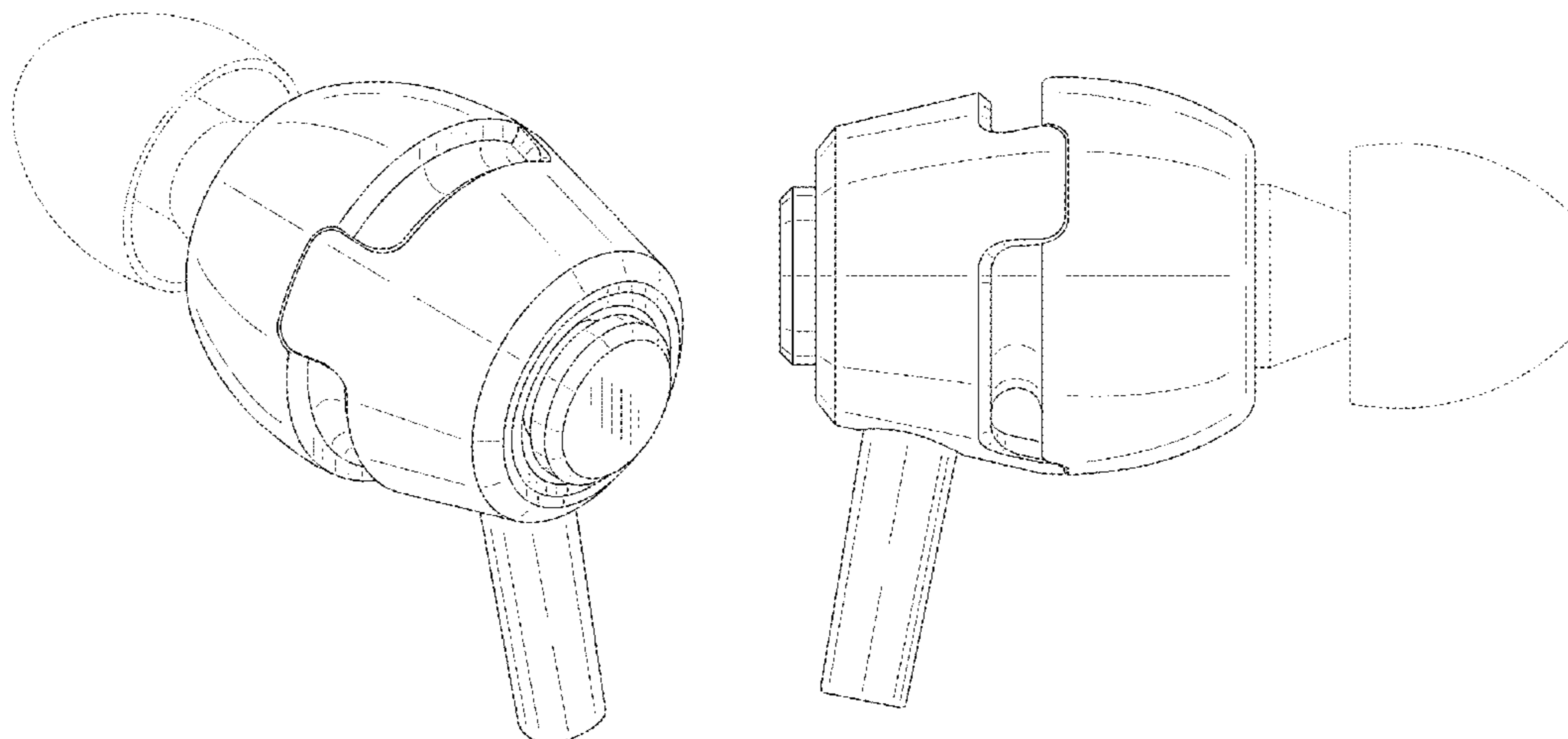


FIG. 1

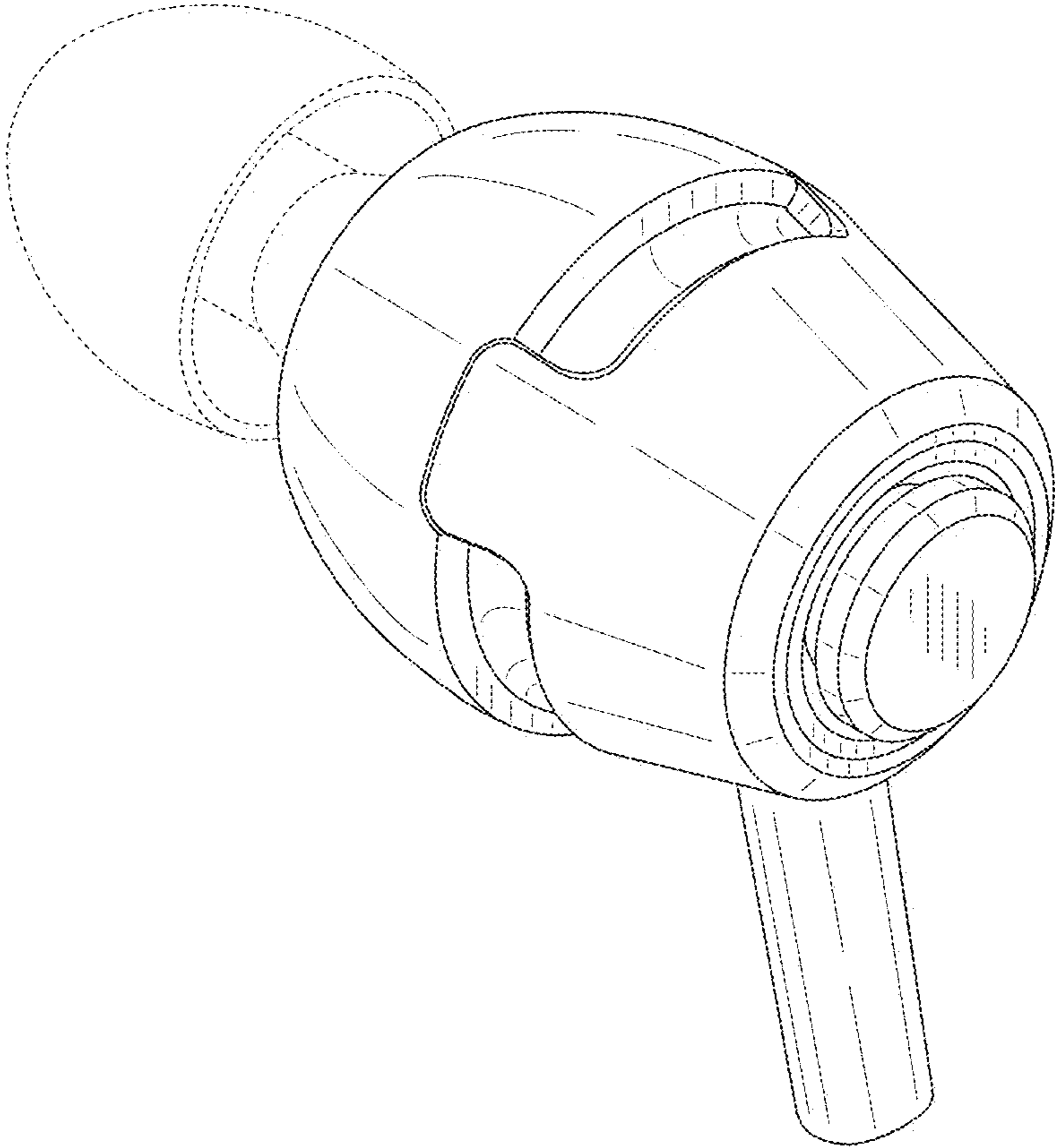


FIG. 2

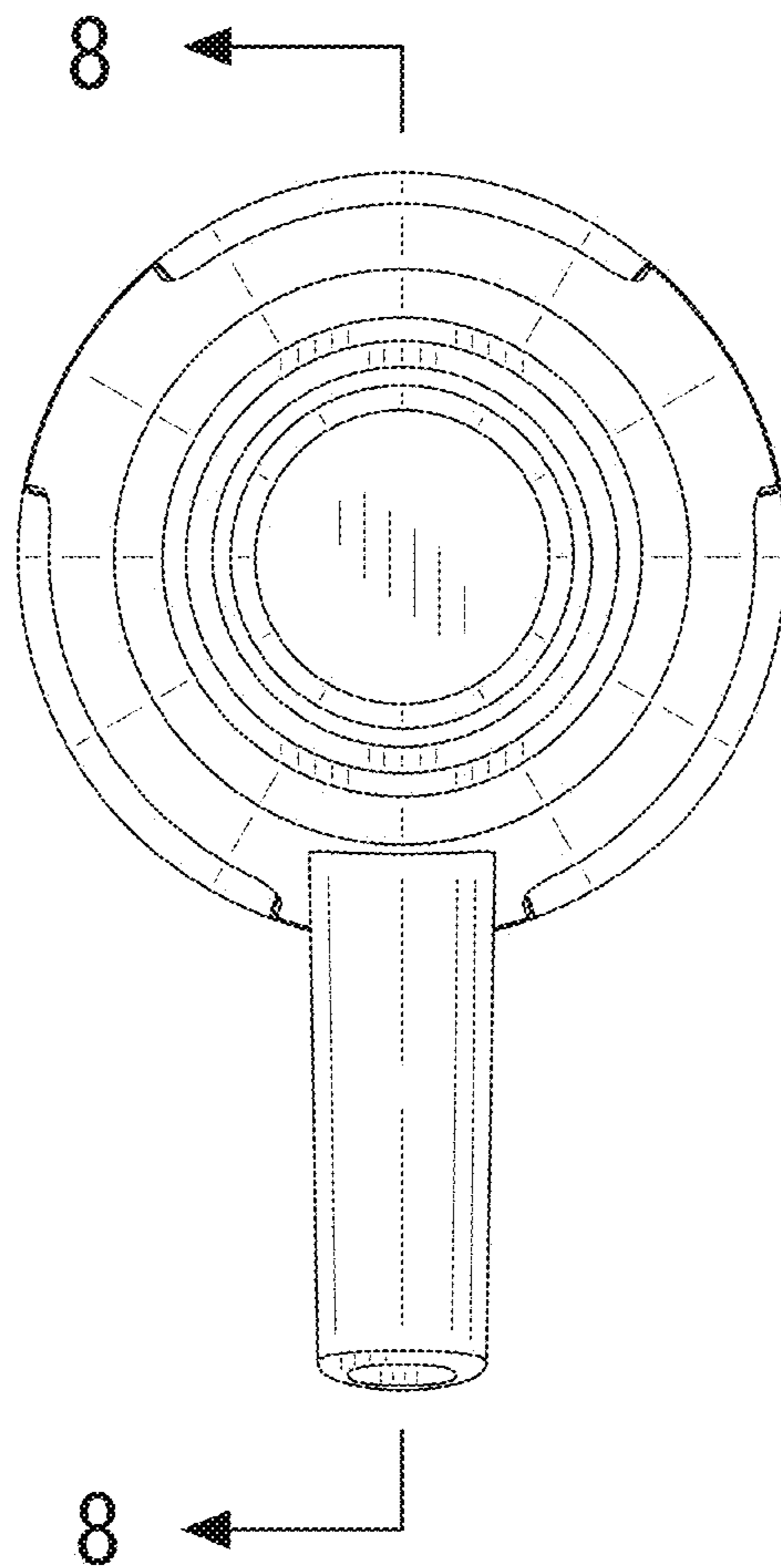


FIG. 3

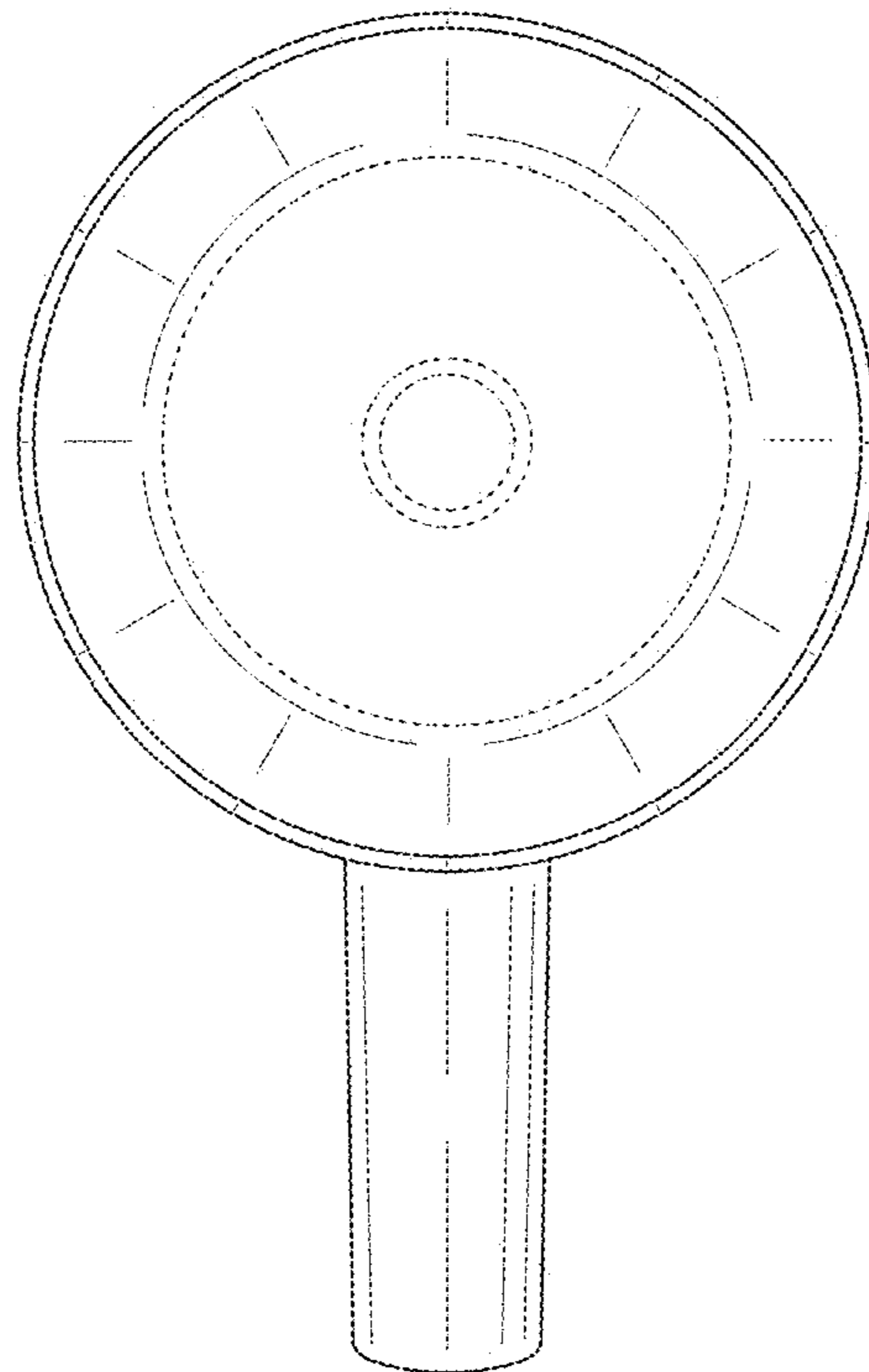


FIG. 4

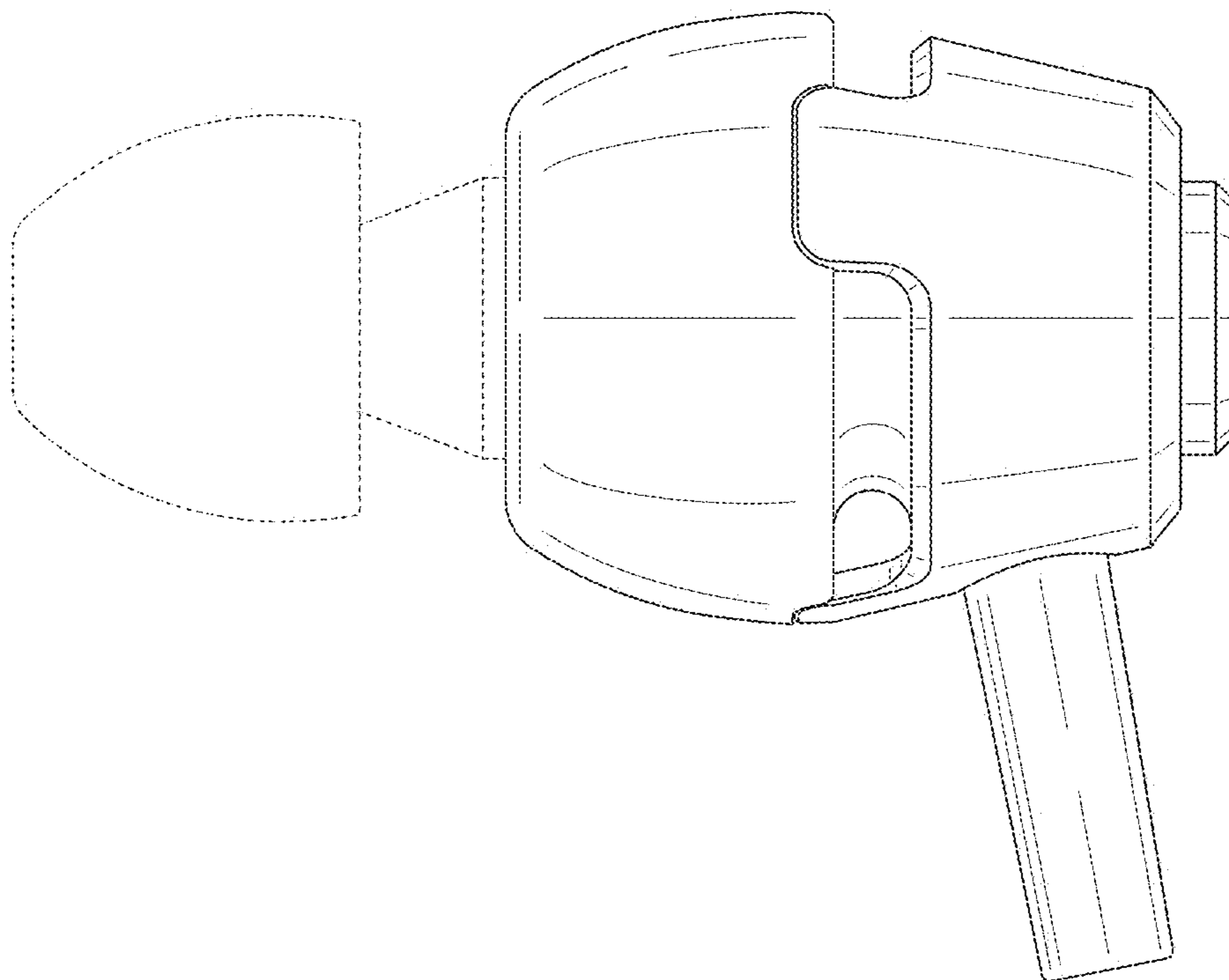


FIG. 5

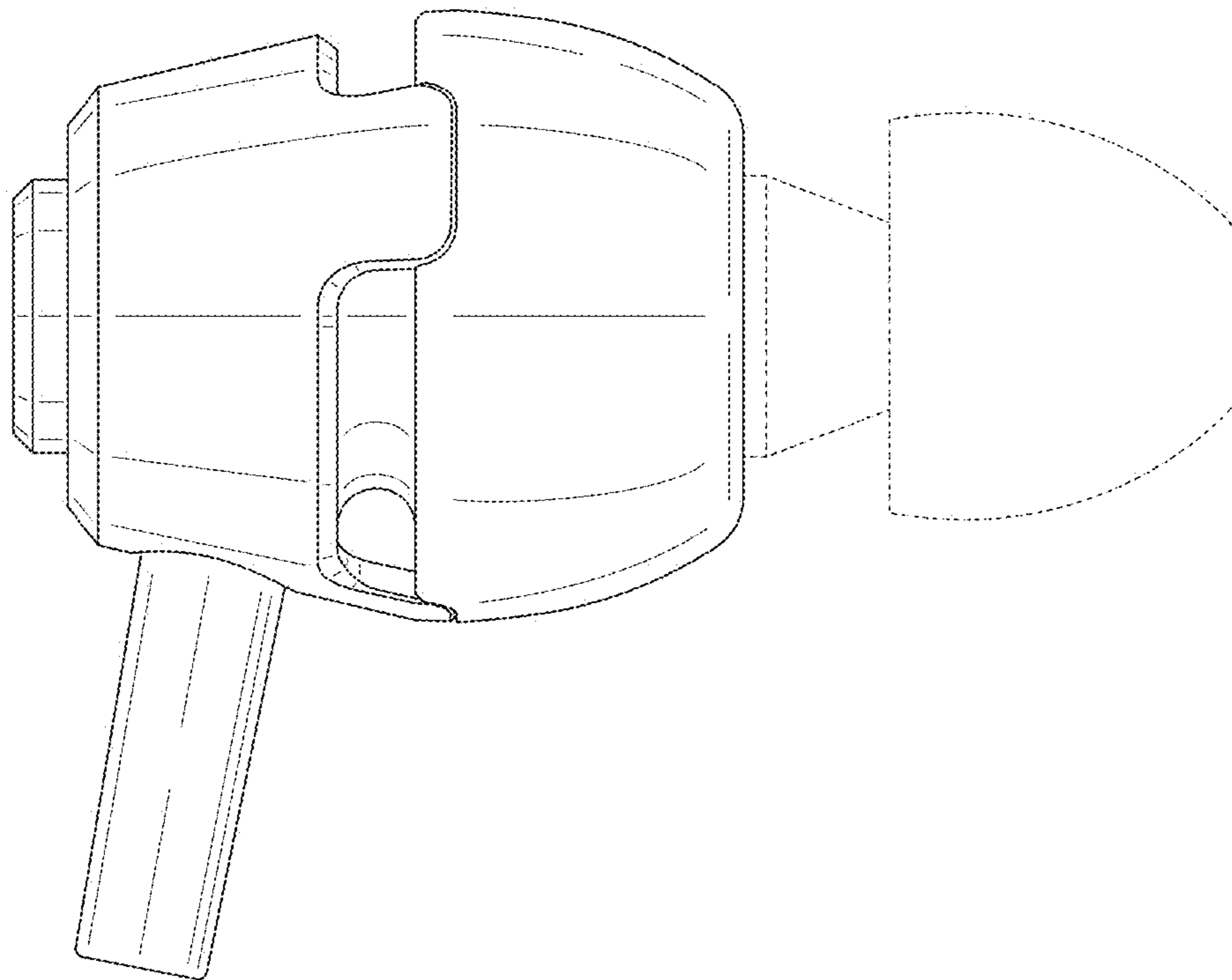


FIG. 6

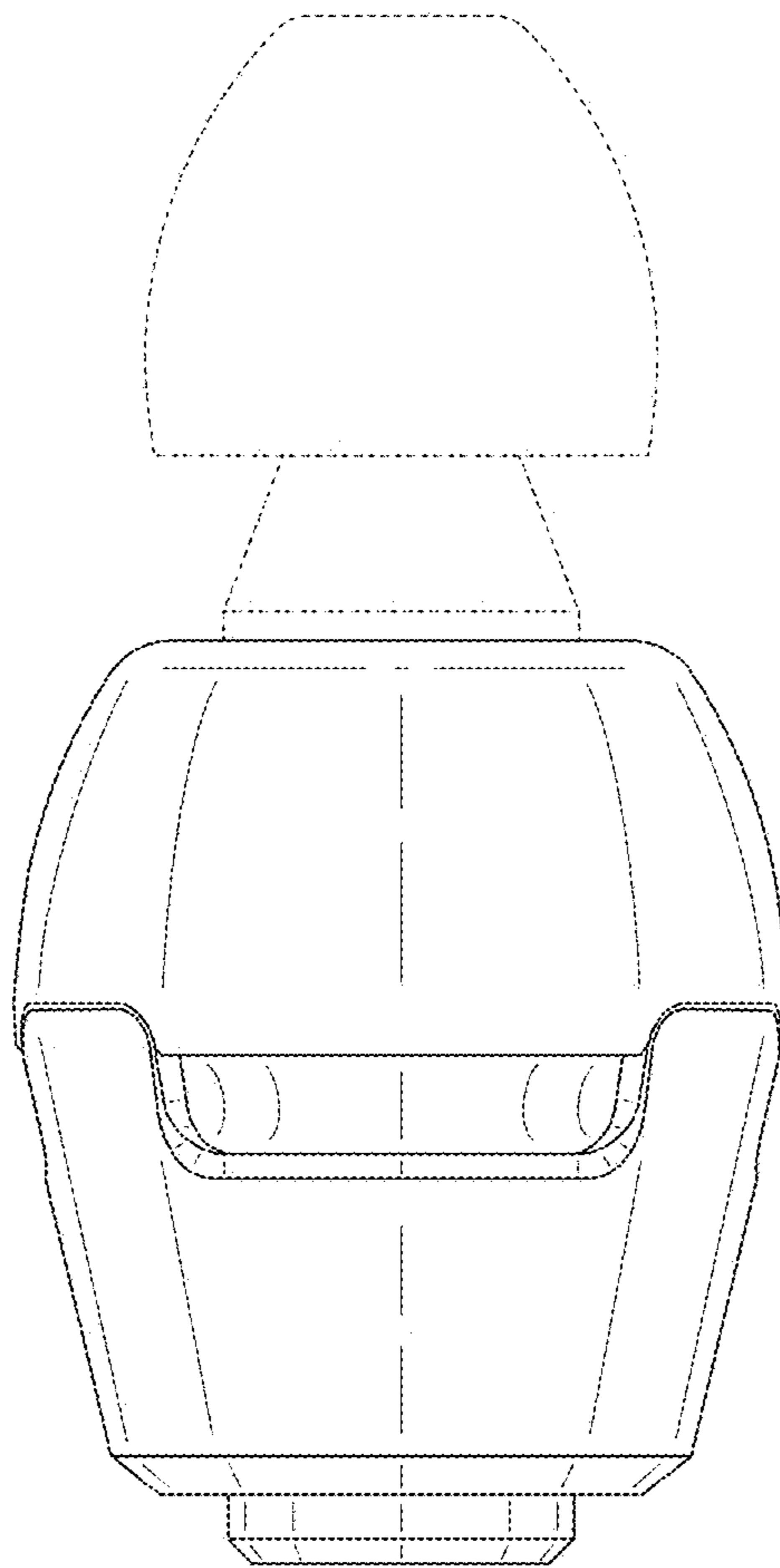


FIG. 7

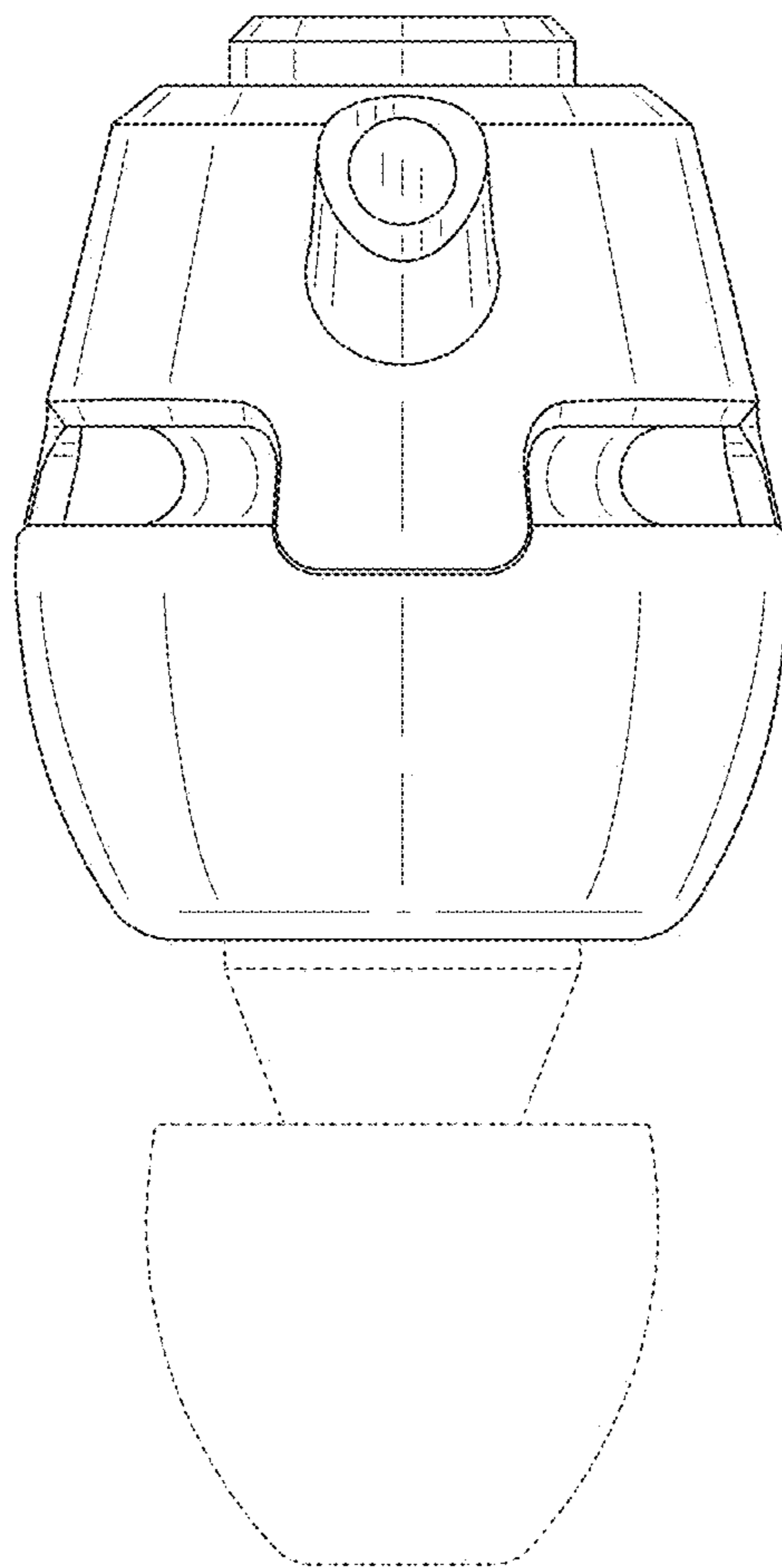




FIG. 8

