

US00D736748S

(12) **United States Design Patent**  
**Yasuda**

(10) **Patent No.:** **US D736,748 S**

(45) **Date of Patent:** **\*\* Aug. 18, 2015**

(54) **EARPHONE**

(71) Applicant: **Panasonic Corporation**, Osaka (JP)

(72) Inventor: **Tomohiro Yasuda**, Osaka (JP)

(73) Assignee: **Panasonic Intellectual Property Management Co., Ltd.**, Osaka (JP)

(\*\*) Term: **14 Years**

(21) Appl. No.: **29/503,478**

(22) Filed: **Sep. 26, 2014**

(30) **Foreign Application Priority Data**

May 30, 2014 (JP) ..... 2014-011603

(51) **LOC (10) Cl.** ..... **14-01**

(52) **U.S. Cl.**  
USPC ..... **D14/223**

(58) **Field of Classification Search**  
USPC ..... D14/223; 181/129, 130, 135; 379/430,  
379/431; 381/380, 381; 455/90.3, 575.1  
CPC ..... H04R 1/10  
See application file for complete search history.

(56) **References Cited**

**U.S. PATENT DOCUMENTS**

|           |   |   |         |                    |       |         |
|-----------|---|---|---------|--------------------|-------|---------|
| 3,934,100 | A | * | 1/1976  | Harada             | ..... | 181/135 |
| D538,270  | S | * | 3/2007  | Kim et al.         | ..... | D14/223 |
| D556,326  | S | * | 11/2007 | Espersen           | ..... | D24/174 |
| D587,681  | S | * | 3/2009  | Yanai              | ..... | D14/205 |
| D587,685  | S | * | 3/2009  | Densho             | ..... | D14/206 |
| D589,493  | S | * | 3/2009  | Densho             | ..... | D14/206 |
| D606,971  | S | * | 12/2009 | Christopher et al. | ..... | D14/205 |
| D607,880  | S | * | 1/2010  | Chung et al.       | ..... | D14/223 |
| D627,764  | S | * | 11/2010 | Tsai et al.        | ..... | D14/223 |

|          |   |   |         |                |       |         |
|----------|---|---|---------|----------------|-------|---------|
| D628,193 | S | * | 11/2010 | Zheng          | ..... | D14/223 |
| D629,793 | S | * | 12/2010 | Goransson      | ..... | D14/223 |
| D656,491 | S | * | 3/2012  | Nomura         | ..... | D14/223 |
| D660,290 | S | * | 5/2012  | Weedon         | ..... | D14/223 |
| D674,377 | S | * | 1/2013  | Schaefer       | ..... | D14/223 |
| D678,252 | S | * | 3/2013  | Cantoni et al. | ..... | D14/223 |
| D683,334 | S | * | 5/2013  | Gondo          | ..... | D14/223 |
| D685,767 | S | * | 7/2013  | Kelly et al.   | ..... | D14/223 |
| D701,196 | S | * | 3/2014  | Kelly et al.   | ..... | D14/223 |
| D701,197 | S | * | 3/2014  | Kelly et al.   | ..... | D14/223 |
| D708,599 | S | * | 7/2014  | Ang            | ..... | D14/223 |
| D709,482 | S | * | 7/2014  | Ang            | ..... | D14/223 |
| D710,334 | S | * | 8/2014  | Yang           | ..... | D14/223 |
| D725,626 | S | * | 3/2015  | Kalhok         | ..... | D14/205 |

\* cited by examiner

*Primary Examiner* — Paula Greene

(74) *Attorney, Agent, or Firm* — Panasonic Patent Center

(57) **CLAIM**

I claim the ornamental design for an earphone, as shown and described.

**DESCRIPTION**

FIG. 1 is a front perspective view of an earphone of the present invention;

FIG. 2 is a front view thereof;

FIG. 3 is a rear view thereof;

FIG. 4 is a first side view thereof;

FIG. 5 is a second side view thereof;

FIG. 6 is a top view thereof;

FIG. 7 is a bottom view thereof; and,

FIG. 8 is an end view taken along the line 8-8 in FIG. 2 with the internal parts being omitted.

The broken line showing of earphone is included for the purpose of illustrating environment and forms no part of the claimed design.

**1 Claim, 8 Drawing Sheets**

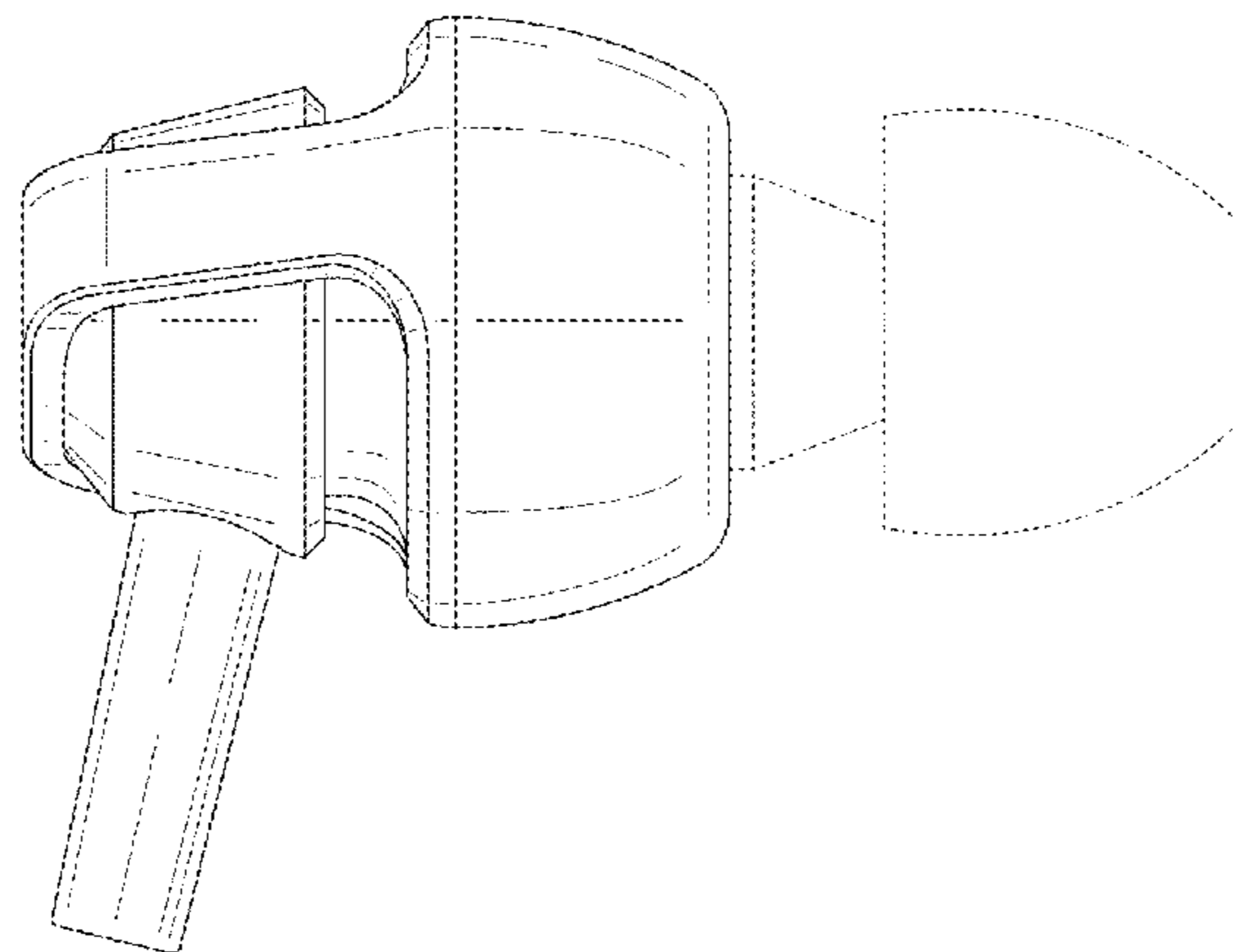
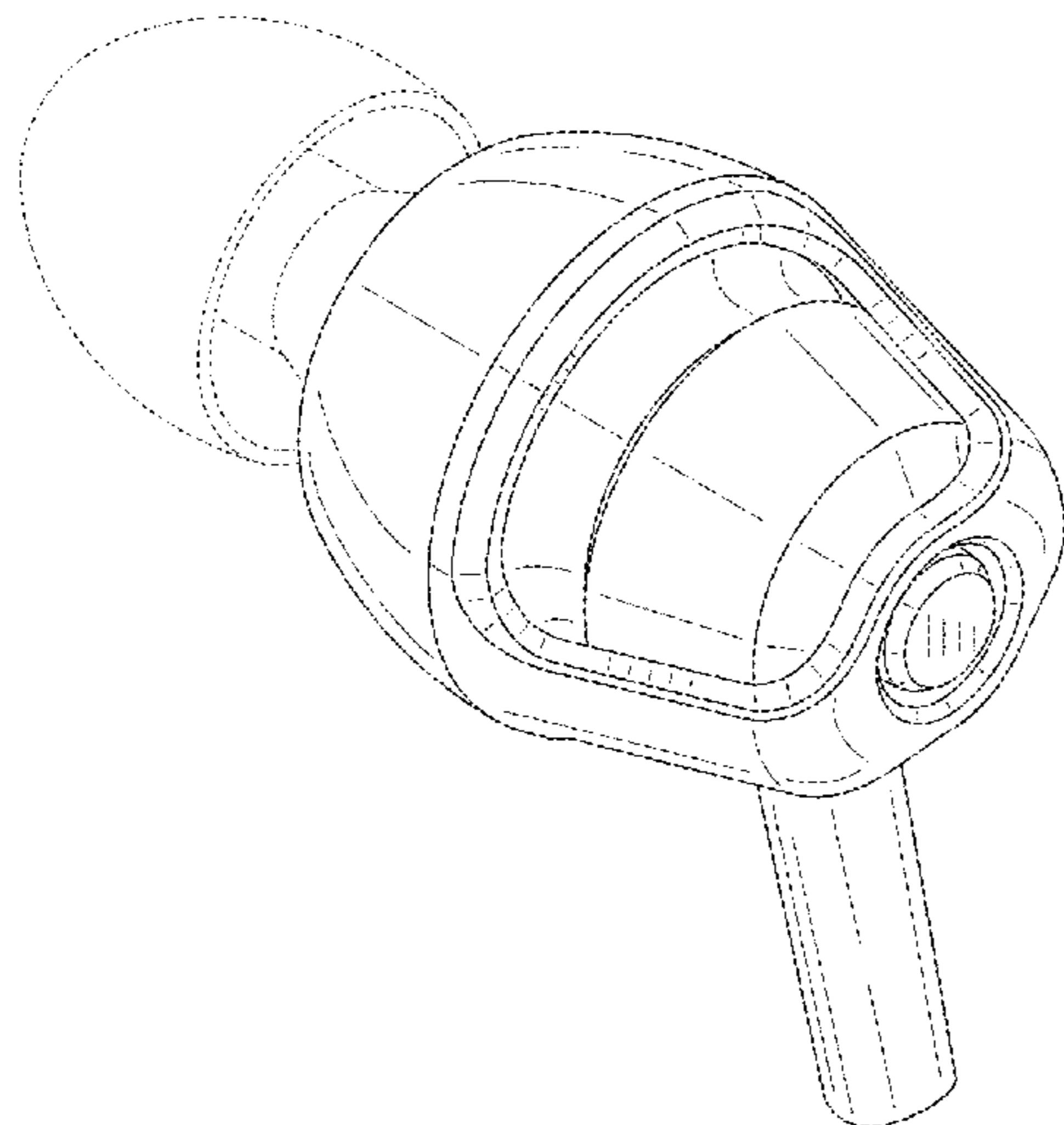


FIG. 1

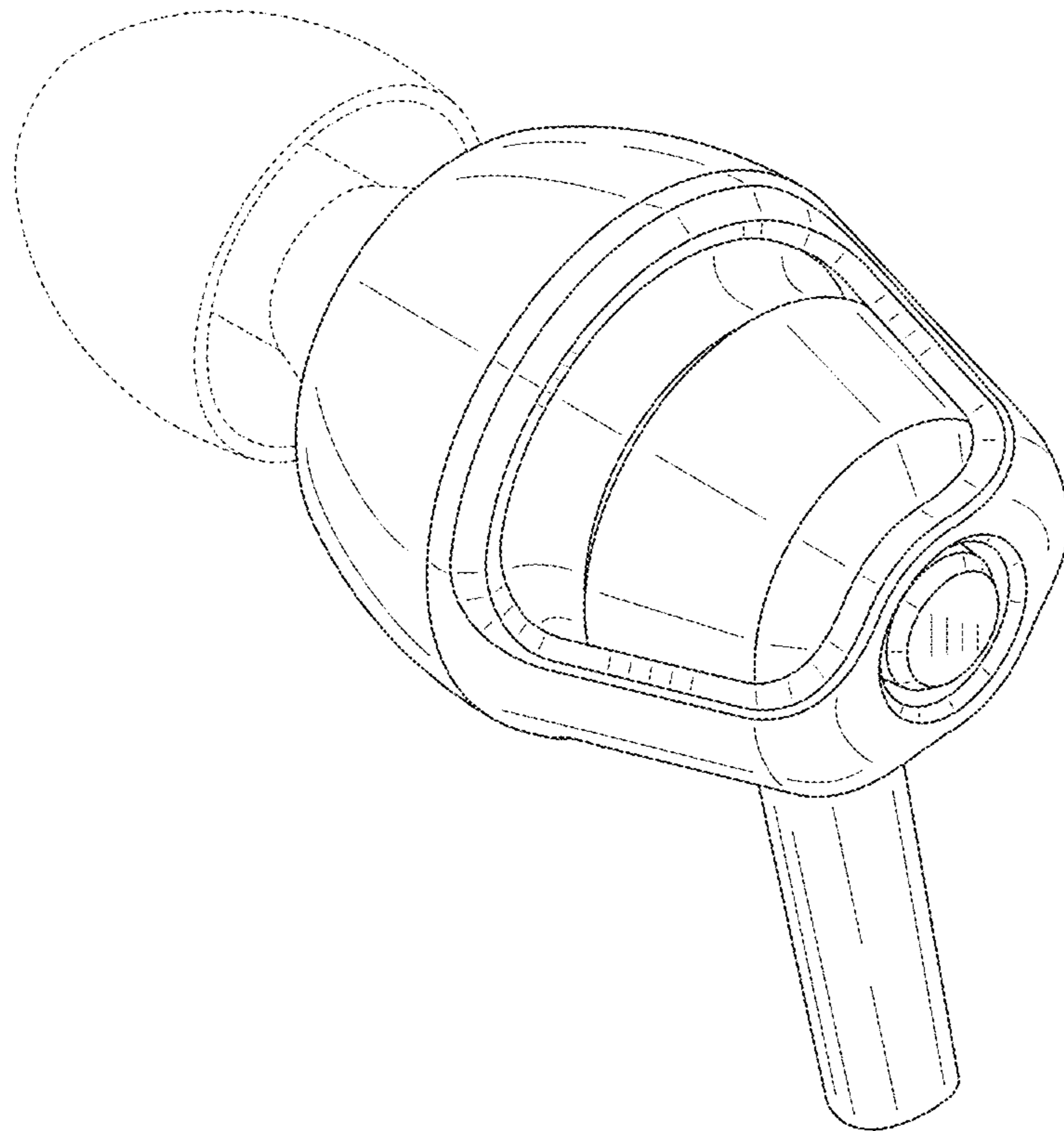


FIG. 2

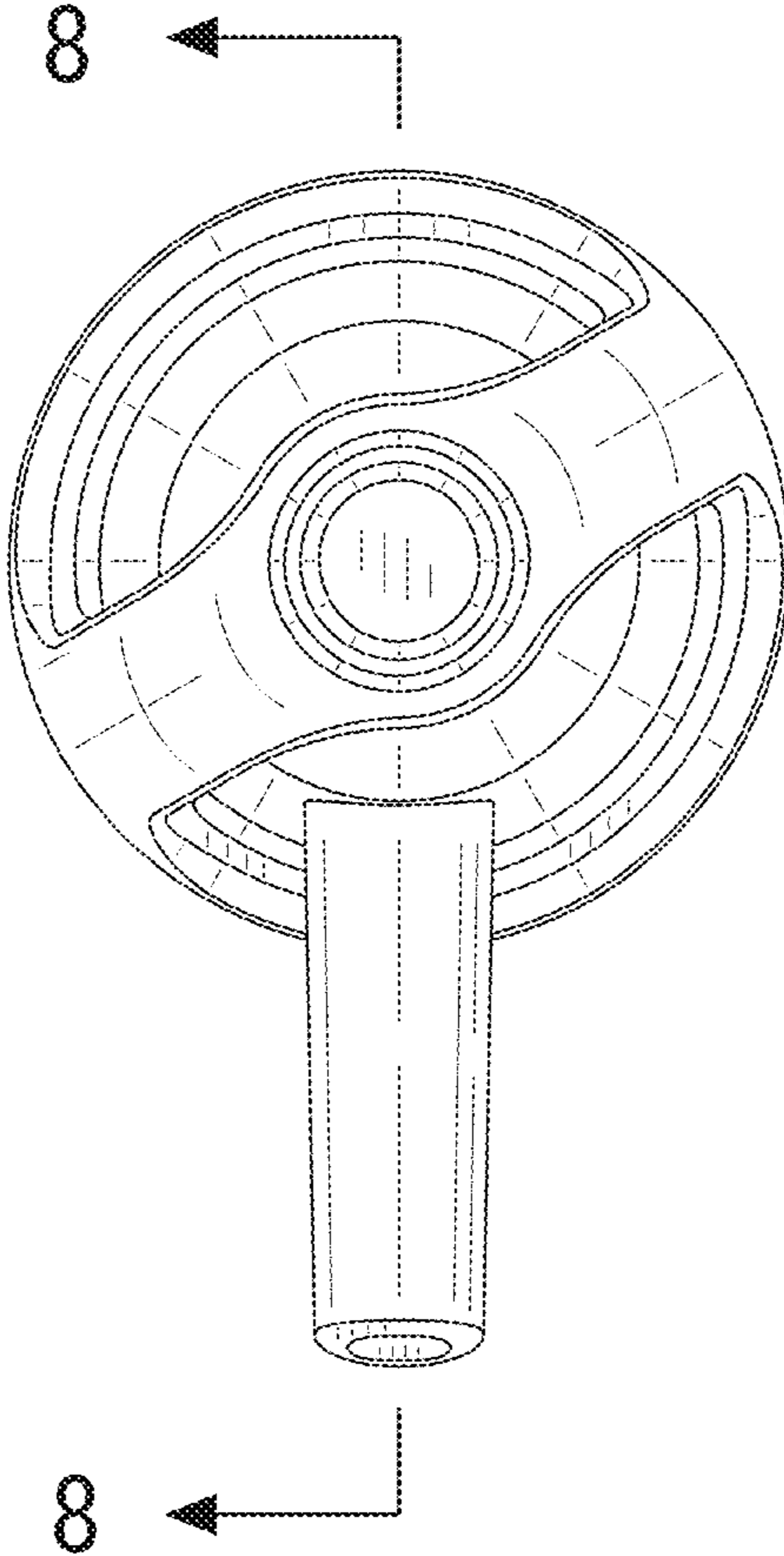


FIG. 3

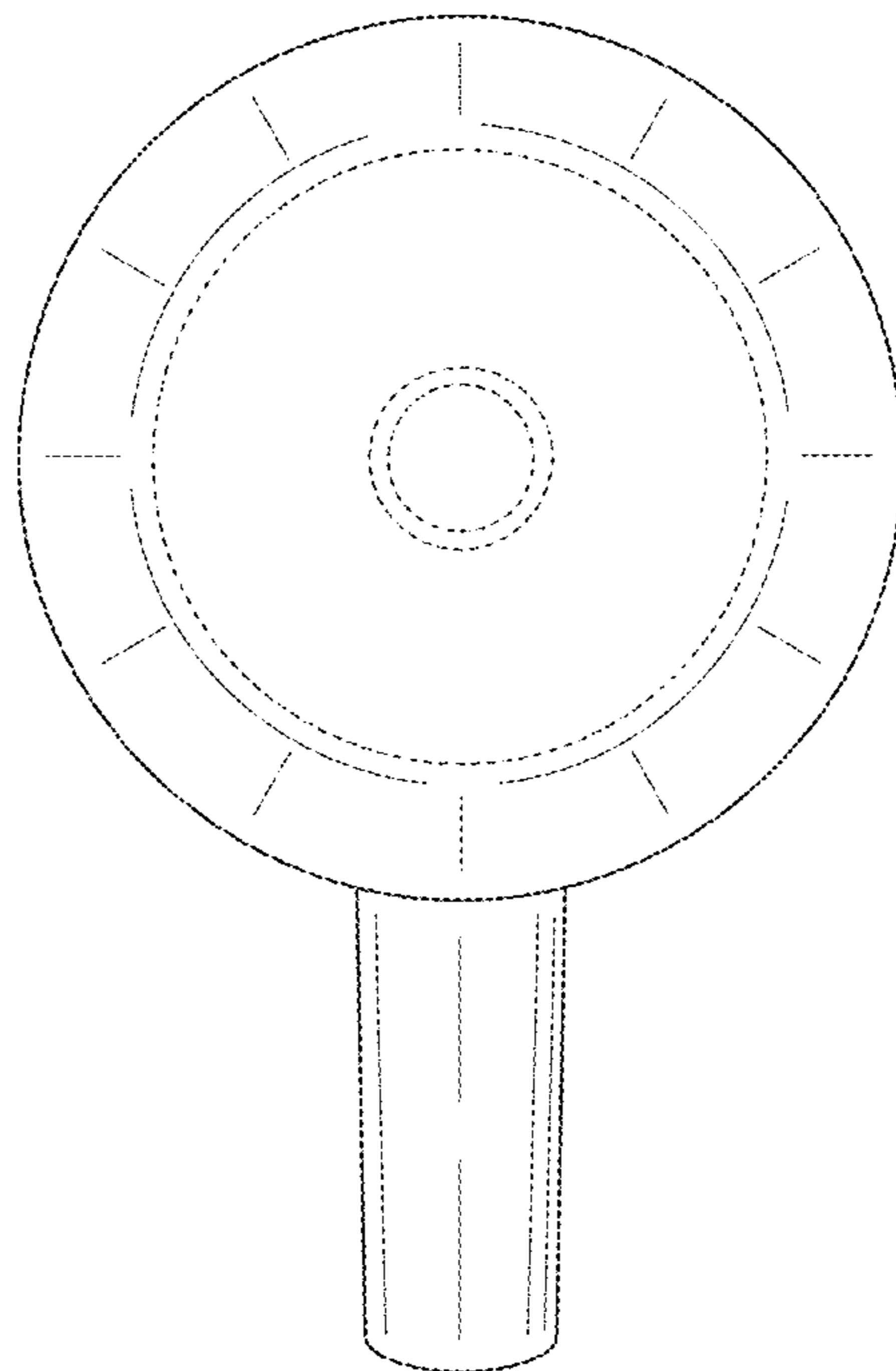


FIG. 4

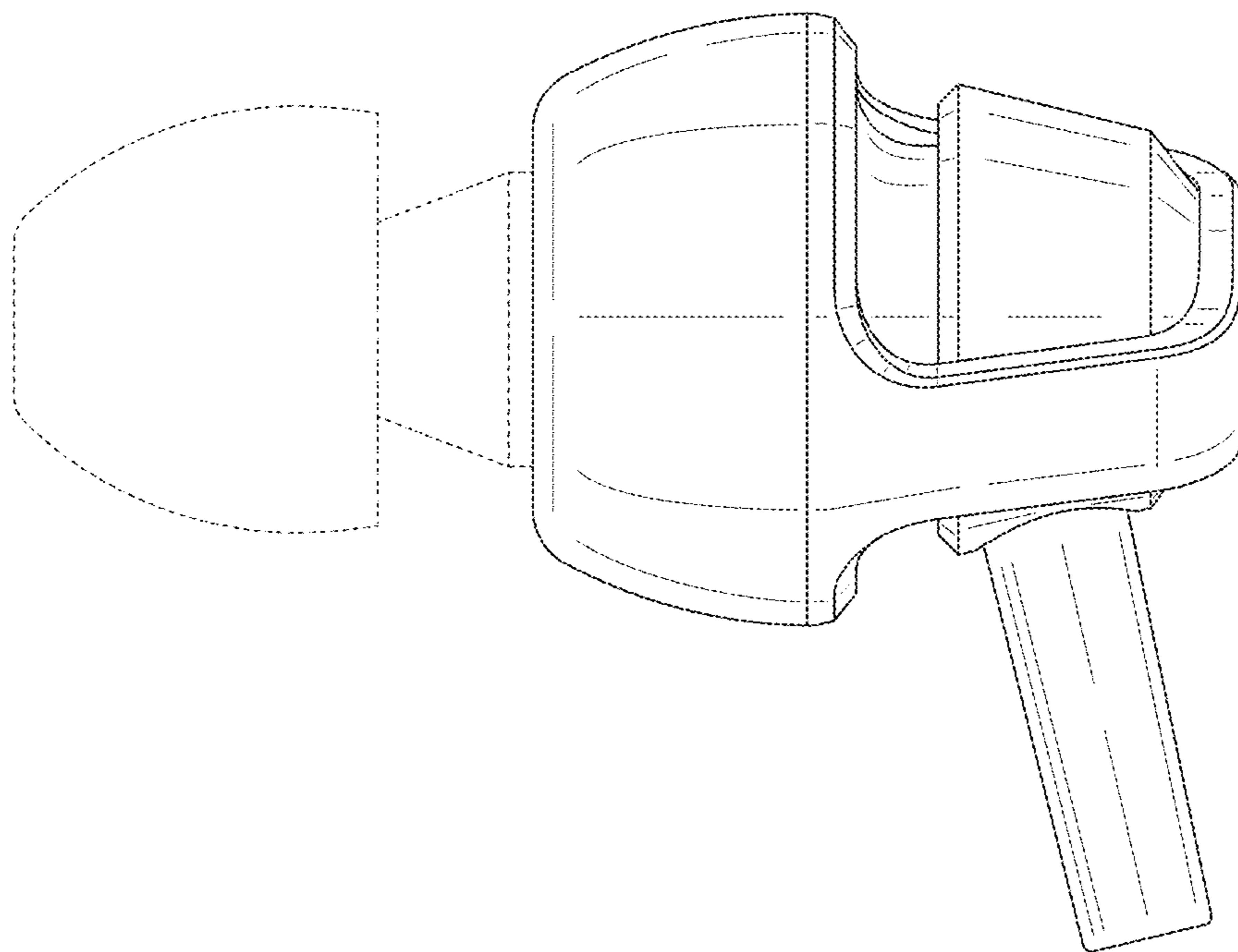


FIG. 5

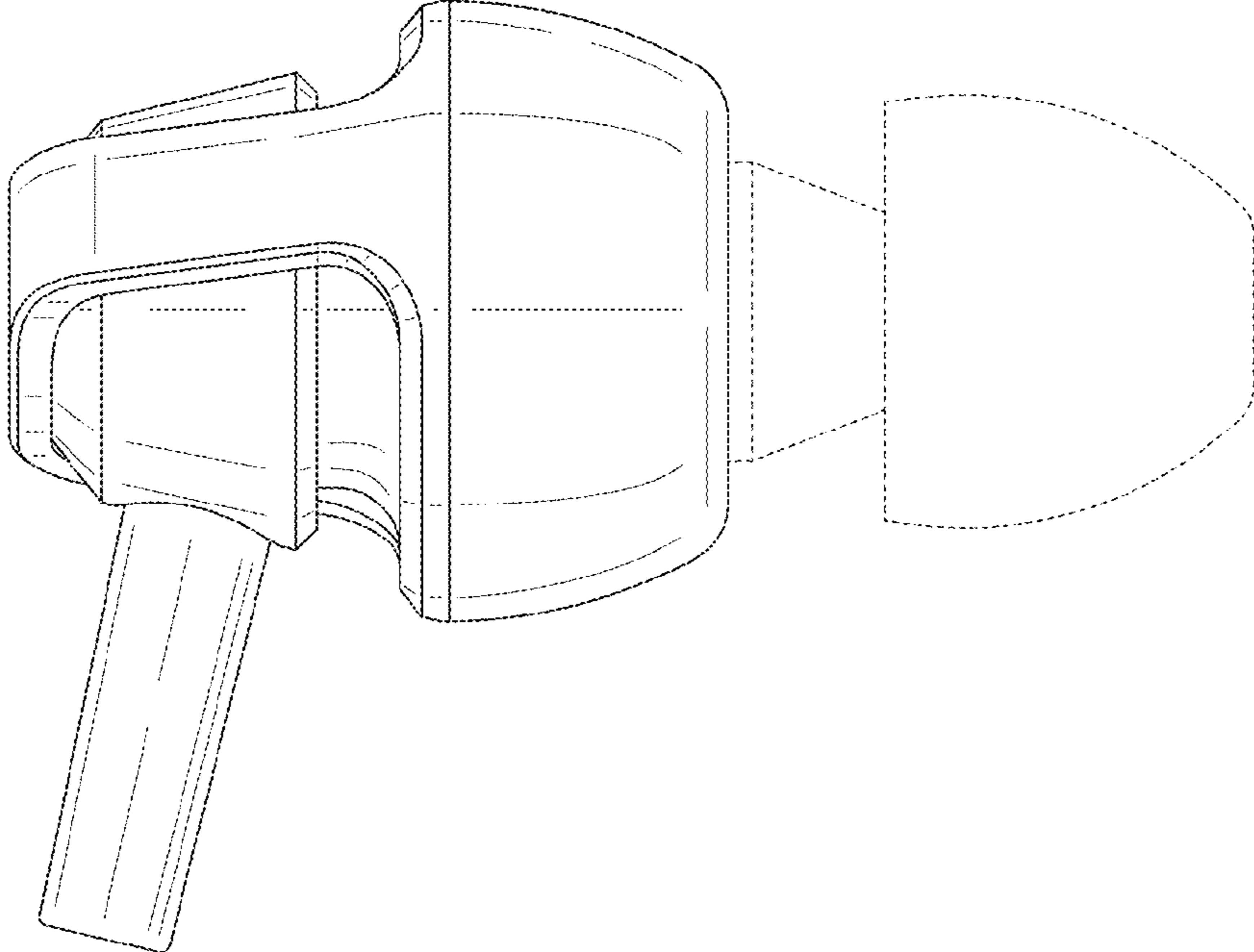


FIG. 6

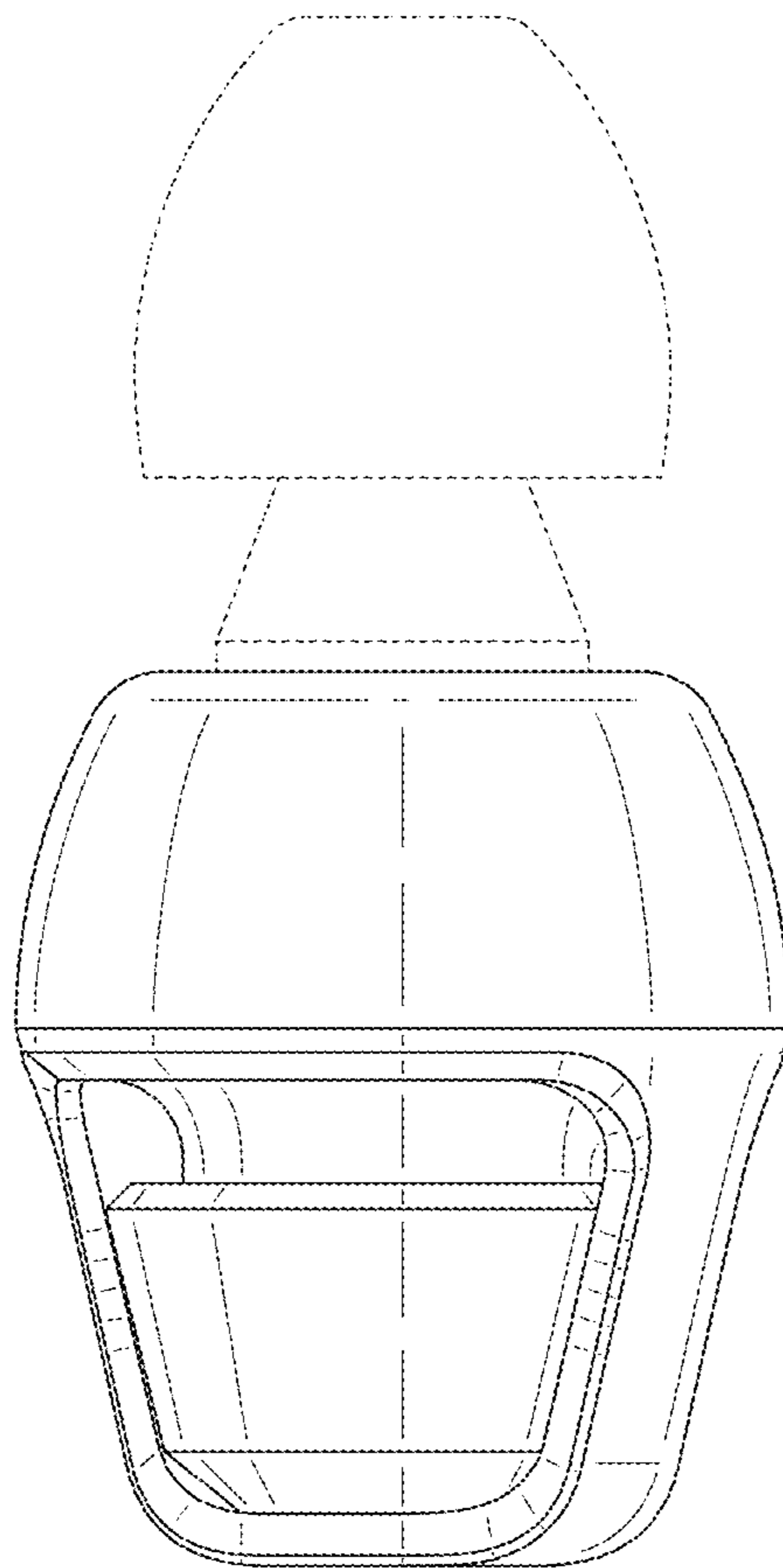




FIG. 7

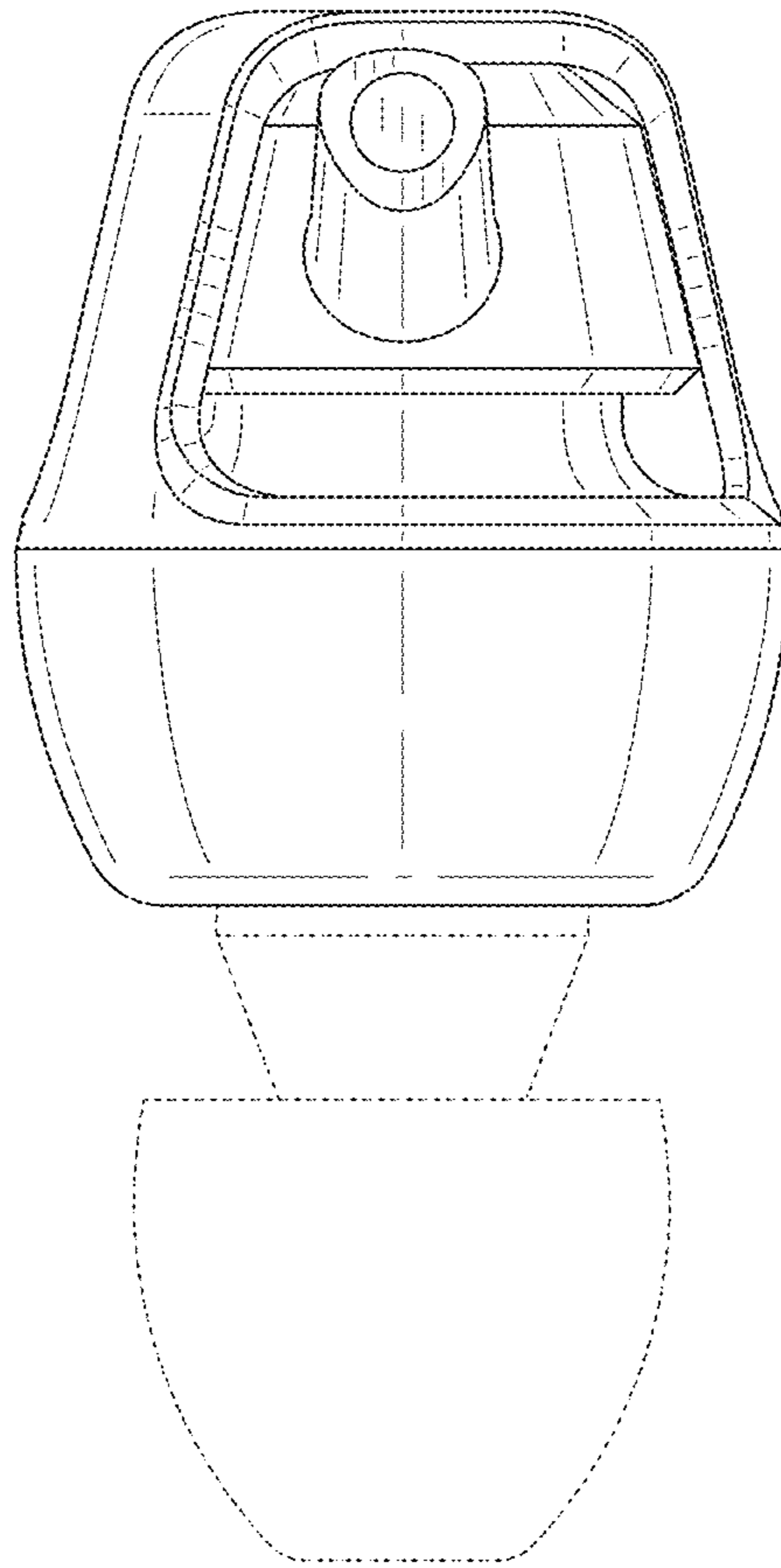




FIG. 8

