



US00D736746S

(12) **United States Design Patent**  
**Cheng et al.**

(10) **Patent No.:** **US D736,746 S**  
(45) **Date of Patent:** **\*\* Aug. 18, 2015**

(54) **JACKET FOR A PORTABLE SPEAKER**

FOREIGN PATENT DOCUMENTS

- (71) Applicant: **Fugoo Corporation**, Irvine, CA (US)
- (72) Inventors: **Howard Shi-How Cheng**, Irvine, CA (US); **Alejandro Garfio**, West Covina, CA (US); **Ho Koon Yau**, Yorba Linda, CA (US); **Kit Mok**, Lakewood, CA (US)
- (73) Assignee: **Fugoo Corporation**, Irvine, CA (US)

JP	1408180 S	1/2011
JP	1452612 S	9/2012
WO	WO 2007/100706	9/2007

OTHER PUBLICATIONS

Libratone Live Wireless Airplay Speakers, <https://shop.libratone.com/en-us/wireless-airplay-speakers/libratone-live/c-54/c-288/p-207/>, retrieved on Jan. 6, 2014.

(Continued)

(\*\*) Term: **14 Years**

*Primary Examiner* — Prabhakar Deshmukh

(21) Appl. No.: **29/476,076**

(74) *Attorney, Agent, or Firm* — Knobbe Martens Olson & Bear LLP

(22) Filed: **Dec. 10, 2013**

(51) **LOC (10) Cl.** ..... **14-01**

(52) **U.S. Cl.**  
USPC ..... **D14/221; D14/217**

(58) **Field of Classification Search**  
USPC ..... D14/204, 204.1, 210–216, 172, 434,  
D14/265, 221, 209.1; 181/143, 144, 147,  
181/148, 150–153, 157, 198, 199;  
381/300–306, 332, 333, 336, 345,  
381/361–364

See application file for complete search history.

(57) **CLAIM**

The ornamental design for a jacket for a portable speaker, as shown and described.

**DESCRIPTION**

FIG. 1 is a top, front and side perspective view of a jacket for a portable speaker embodying my new design.  
 FIG. 2 is a bottom, front and side perspective view thereof.  
 FIG. 3 is a front view thereof.  
 FIG. 4 is a back view thereof.  
 FIG. 5 is a top view thereof.  
 FIG. 6 is a bottom view thereof.  
 FIG. 7 is a first side view thereof.  
 FIG. 8 is a second side view thereof; and,  
 FIG. 9 is a top, front and side perspective view thereof, shown in environmental use.  
 Broken lines are used to illustrate features of the jacket for a portable speaker which form no part of the claimed design. In FIG. 9, the jacket is shown surrounding a portable speaker shown to represent environment which forms no part of the claimed design.

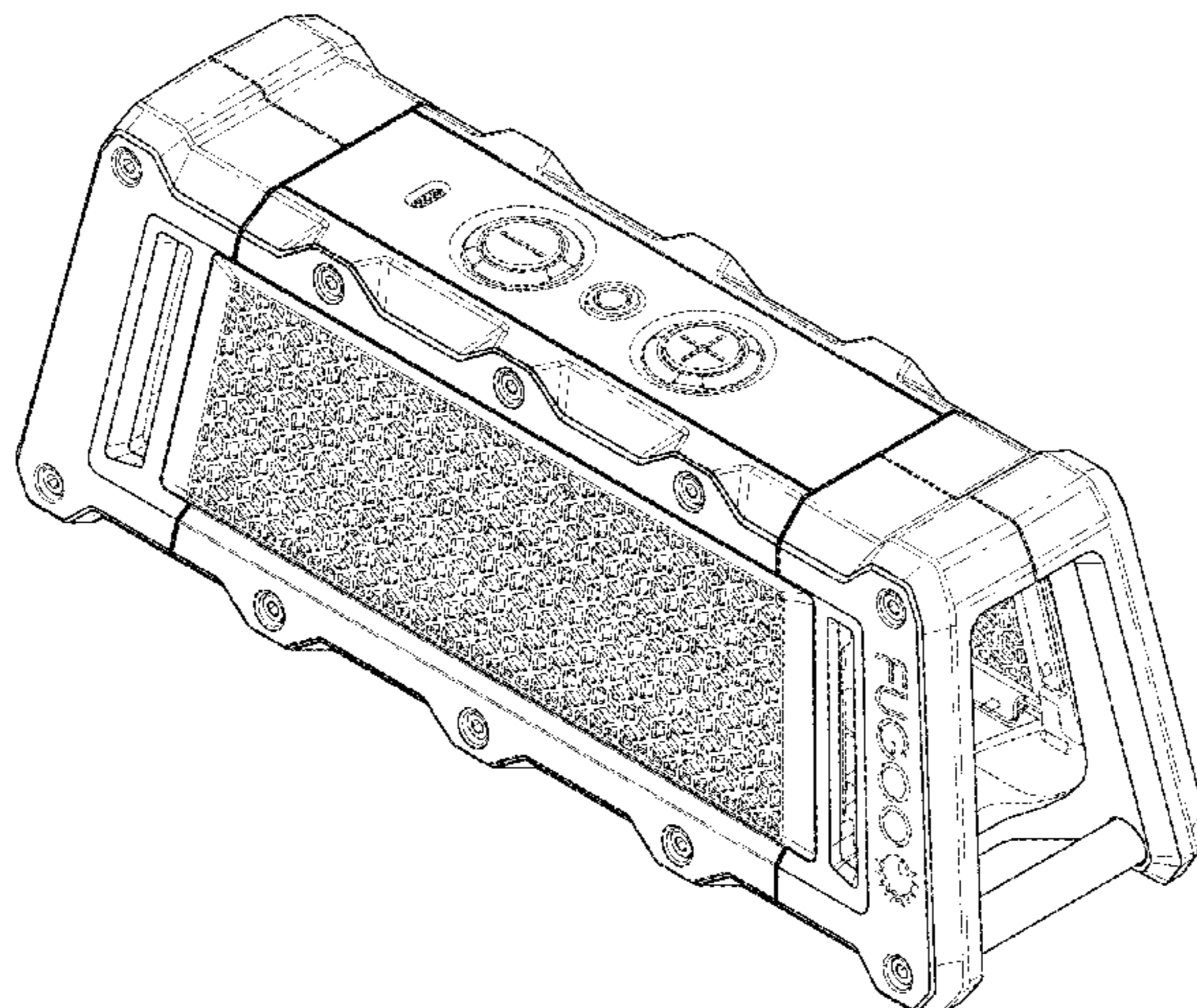
(56) **References Cited**

U.S. PATENT DOCUMENTS

6,035,962 A	3/2000	Lin	
6,665,412 B1 *	12/2003	Mizoguchi	381/336
6,910,548 B2 *	6/2005	Powell	181/199
7,155,026 B2	12/2006	Augustin, Sr. et al.	
7,221,772 B2 *	5/2007	Evenisse et al.	381/386
7,242,785 B2	7/2007	McNary	
D551,208 S *	9/2007	Yano	D14/214
D552,081 S *	10/2007	Yano	D14/214
D553,120 S *	10/2007	Yano	D14/214
7,469,052 B2 *	12/2008	Peavey	381/334
7,764,806 B2 *	7/2010	Pei et al.	381/335
D646,665 S *	10/2011	Iijima	D14/214
8,090,137 B2	1/2012	Ryan	

(Continued)

**1 Claim, 8 Drawing Sheets**



(56)

**References Cited**

U.S. PATENT DOCUMENTS

8,194,897	B2	6/2012	Choi	
D673,525	S *	1/2013	Goetzen et al.	D14/209.1
8,351,638	B2	1/2013	Park	
8,406,449	B2	3/2013	Wegener	
D705,753	S *	5/2014	Kimura	D14/209.1
D710,332	S *	8/2014	Baird et al.	D14/221
2009/0161903	A1	6/2009	White	
2013/0177196	A1	7/2013	Lee	

OTHER PUBLICATIONS

Libratone Zipp, [http://reviews.cnet.com/bluetooth-speakers/libratone-zipp-gray/4505-34810\\_7-35530587.html?autoplay=true](http://reviews.cnet.com/bluetooth-speakers/libratone-zipp-gray/4505-34810_7-35530587.html?autoplay=true), CNET review date of Nov. 12, 2012, retrieved on Jan. 8, 2014.

JBL Flip, [http://reviews.cnet.com/bluetooth-speakers/jbl-flip-black/4505-34810\\_7-35550919.html](http://reviews.cnet.com/bluetooth-speakers/jbl-flip-black/4505-34810_7-35550919.html), CNET review date of Dec. 21, 2012, retrieved on Jan. 6, 2014.

Jawbone Jambox, [http://reviews.cnet.com/portable-speakers/jawbone-jambox-black-diamond/4505-11313\\_7-34207708.html](http://reviews.cnet.com/portable-speakers/jawbone-jambox-black-diamond/4505-11313_7-34207708.html), CNET review date of Nov. 4, 2010, retrieved on Jan. 6, 2014.

Jawbone Big Jambox, [http://reviews.cnet.com/bluetooth-speakers/jawbone-big-jambox-graphite/4505-34810\\_7-35244085.html](http://reviews.cnet.com/bluetooth-speakers/jawbone-big-jambox-graphite/4505-34810_7-35244085.html), CNET review date of Apr. 30, 2012, retrieved on Jan. 6, 2014.

Logitech UE Boom, [http://reviews.cnet.com/portable-speakers/logitech-ue-boom-blue/4505-11313\\_7-35765418.html](http://reviews.cnet.com/portable-speakers/logitech-ue-boom-blue/4505-11313_7-35765418.html), CNET review date of Jun. 18, 2013, retrieved on Jan. 6, 2014.

JBL Charge, [http://reviews.cnet.com/portable-speakers/jbl-charge-blue/4505-11313\\_7-35613369.html](http://reviews.cnet.com/portable-speakers/jbl-charge-blue/4505-11313_7-35613369.html), CNET review date of Apr. 8, 2013, retrieved on Jan. 6, 2014.

Beats Pill, [http://reviews.cnet.com/portable-speakers/beats-pill-black/4505-11313\\_7-35493112.html](http://reviews.cnet.com/portable-speakers/beats-pill-black/4505-11313_7-35493112.html), CNET review date of Nov. 21, 2012, retrieved on Jan. 6, 2014.

Jawbone Mini Jambox, <http://www.bestbuy.com/site/jawbone-mini-jambox-wireless-speaker-blue-diamond/1584782.p?id=1219056361326&skuId=1584782>, retrieved on Mar. 13, 2015.

Jensen Bluetooth Wireless Stereo Speaker, <http://www.bestbuy.com/site/jensen-bluetooth-wireless-stereo-speaker-black/6544488.p?id=1218748100411&skuId=6544488>, retrieved on Mar. 13, 2015.

\* cited by examiner

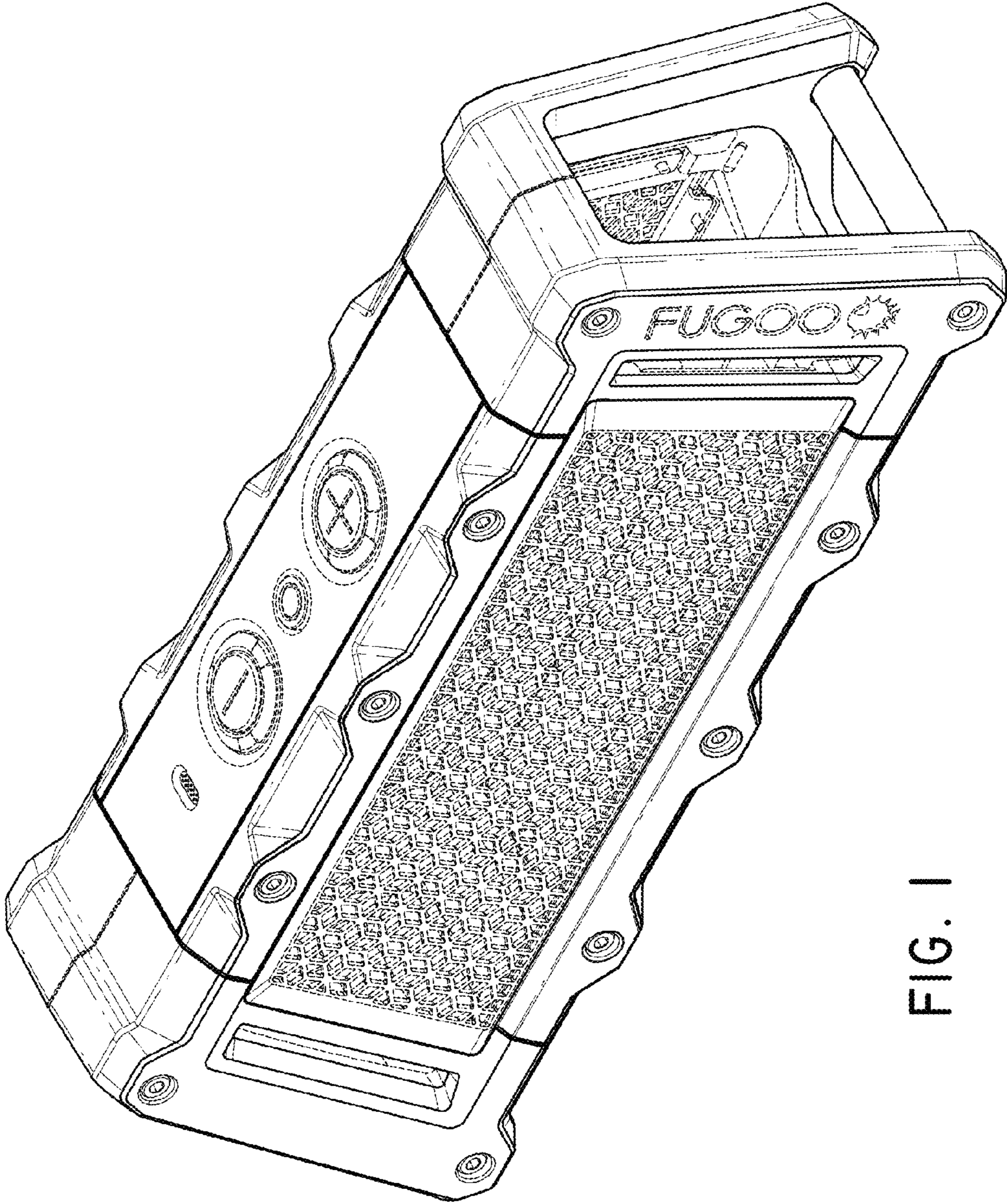


FIG. 1

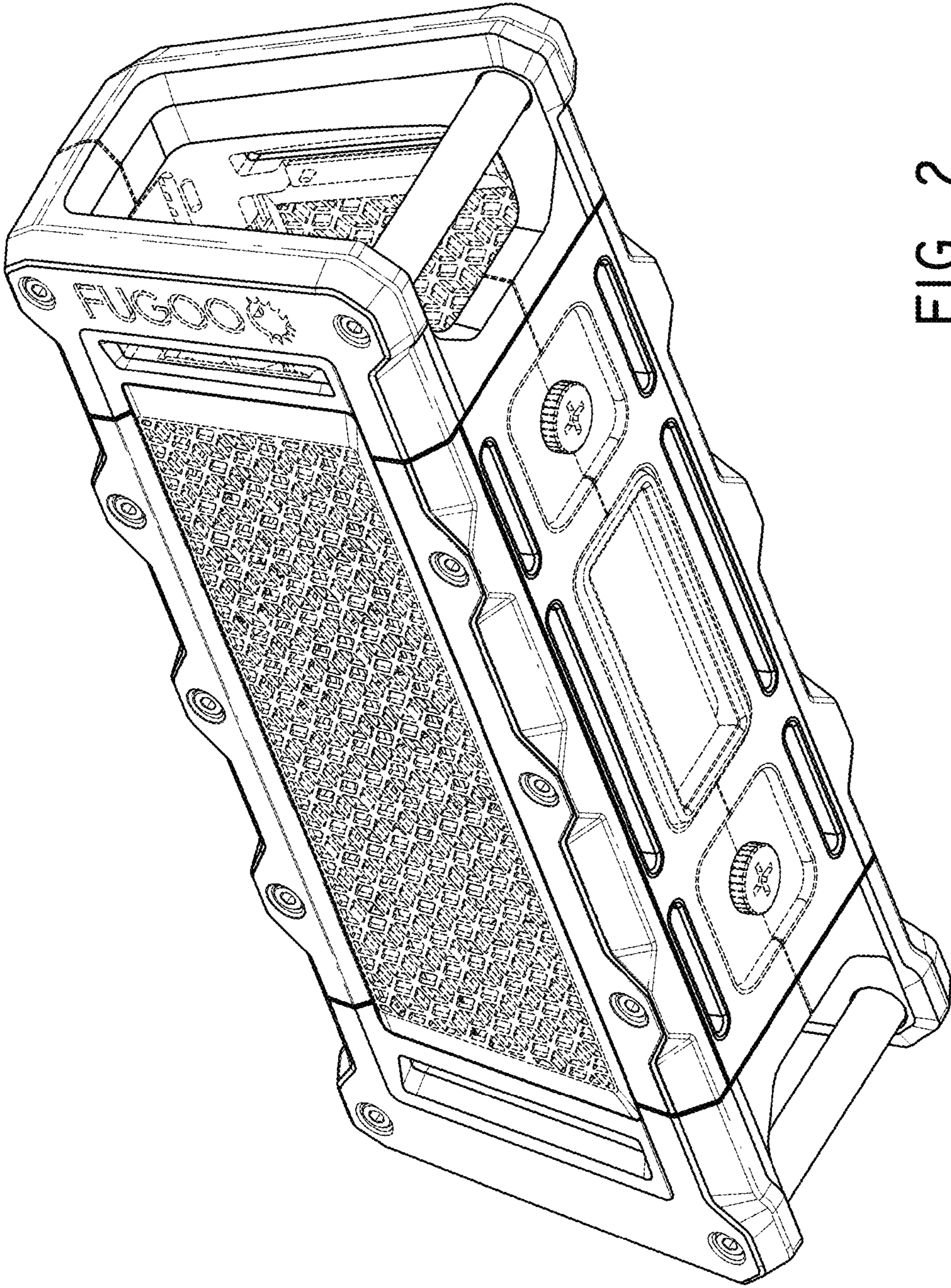


FIG. 2

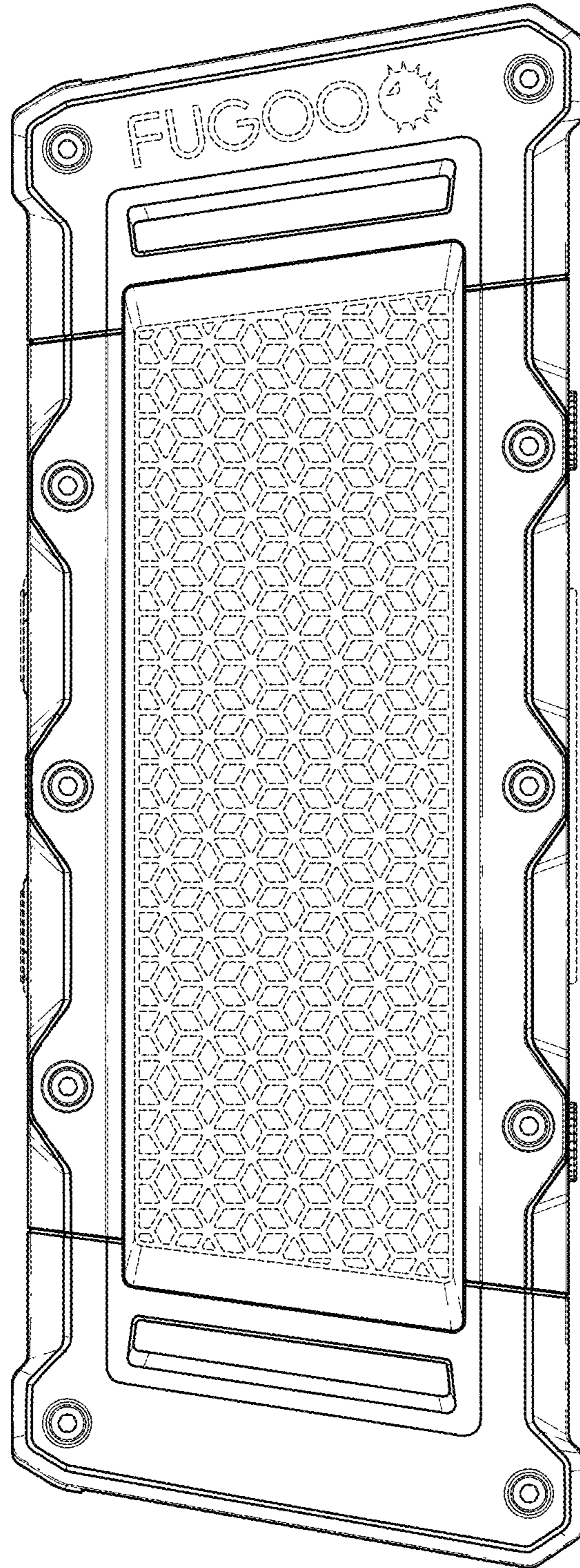


FIG. 3

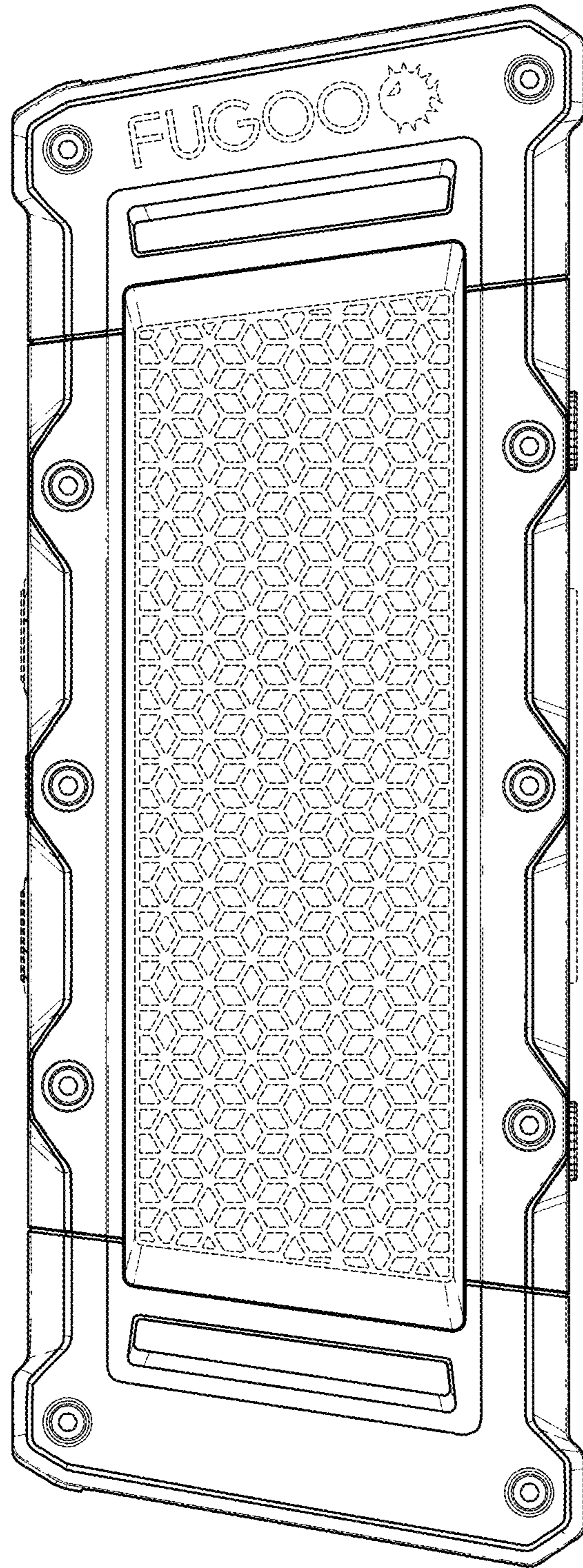


FIG. 4

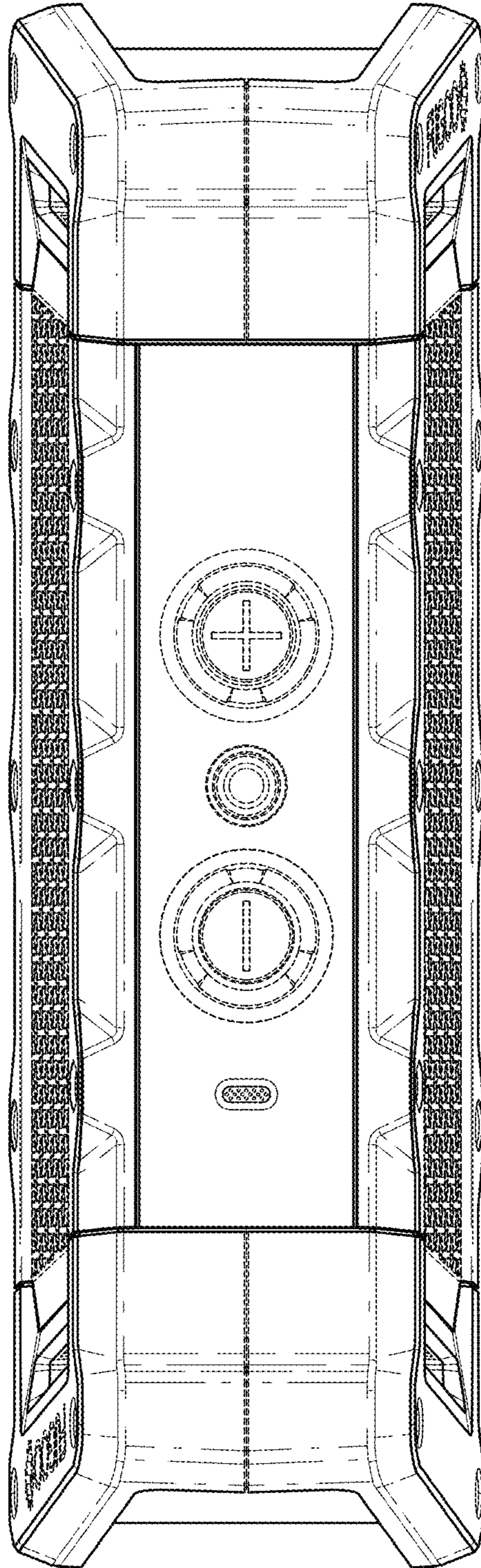


FIG. 5

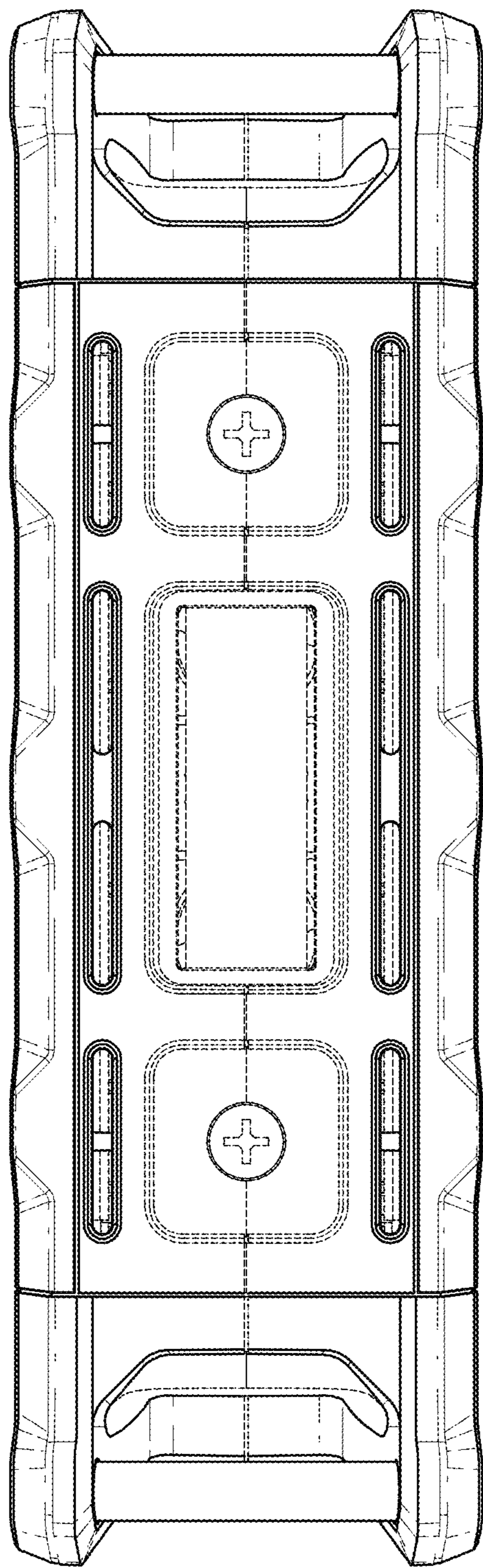


FIG. 6



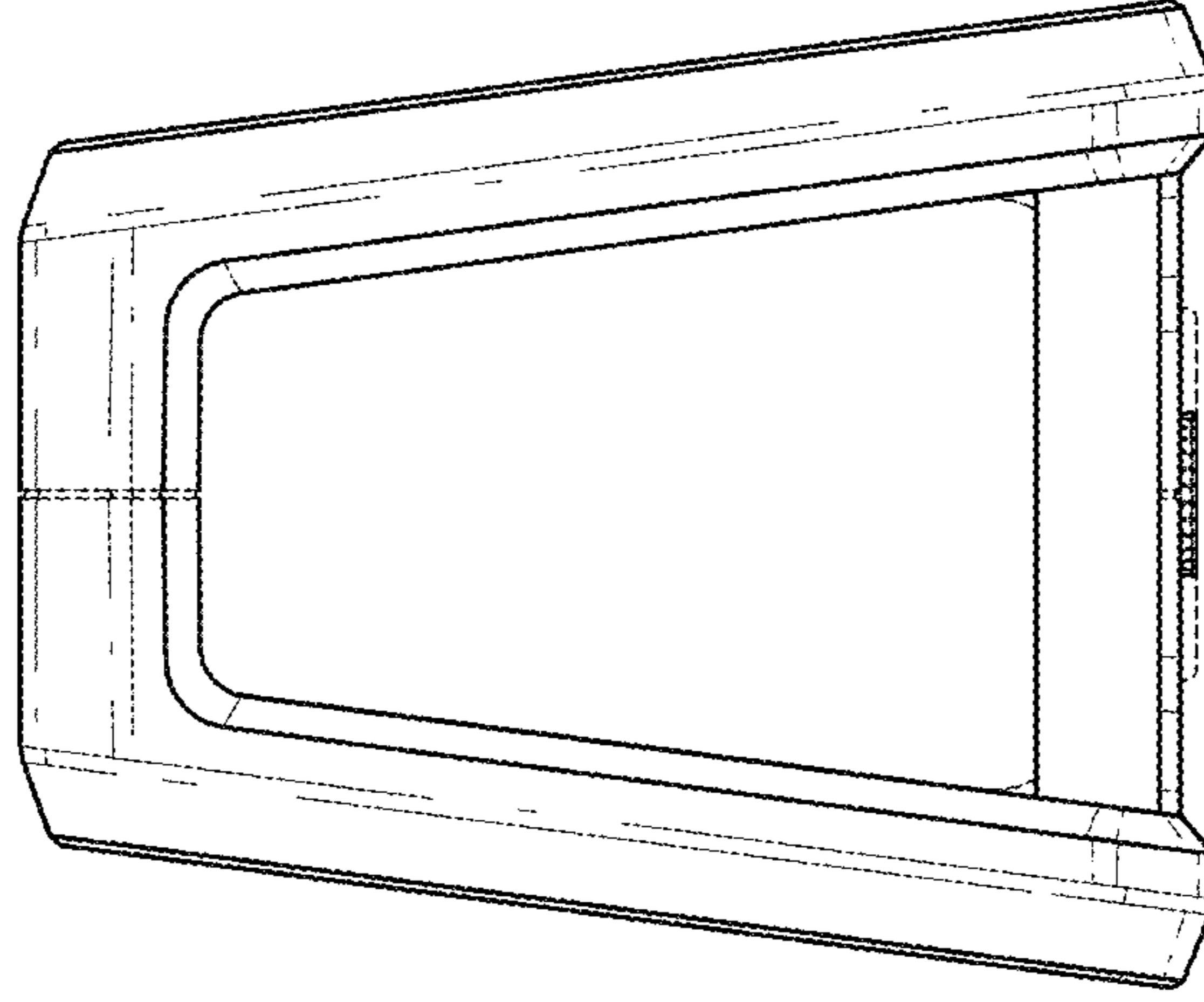


FIG. 8

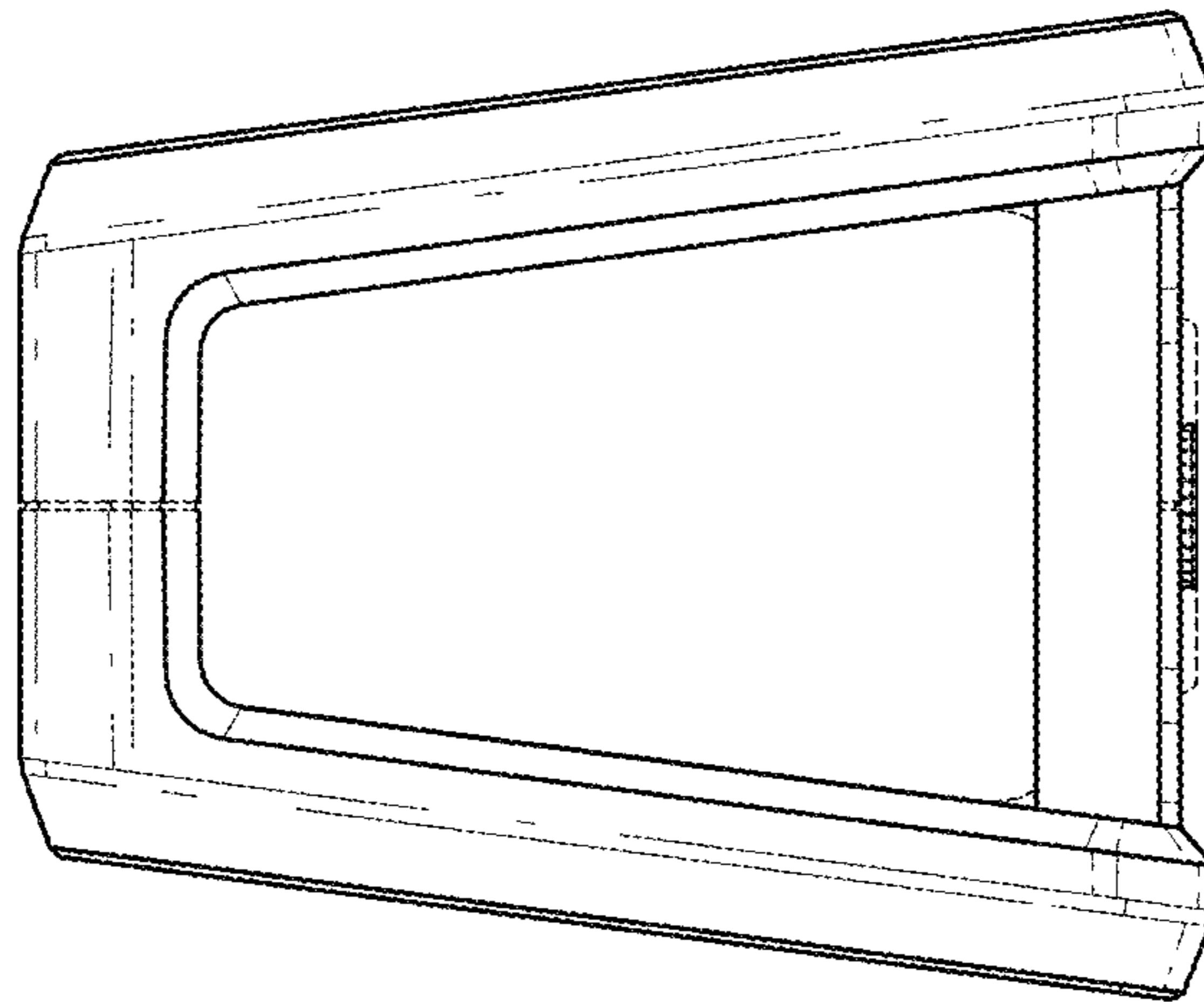


FIG. 7

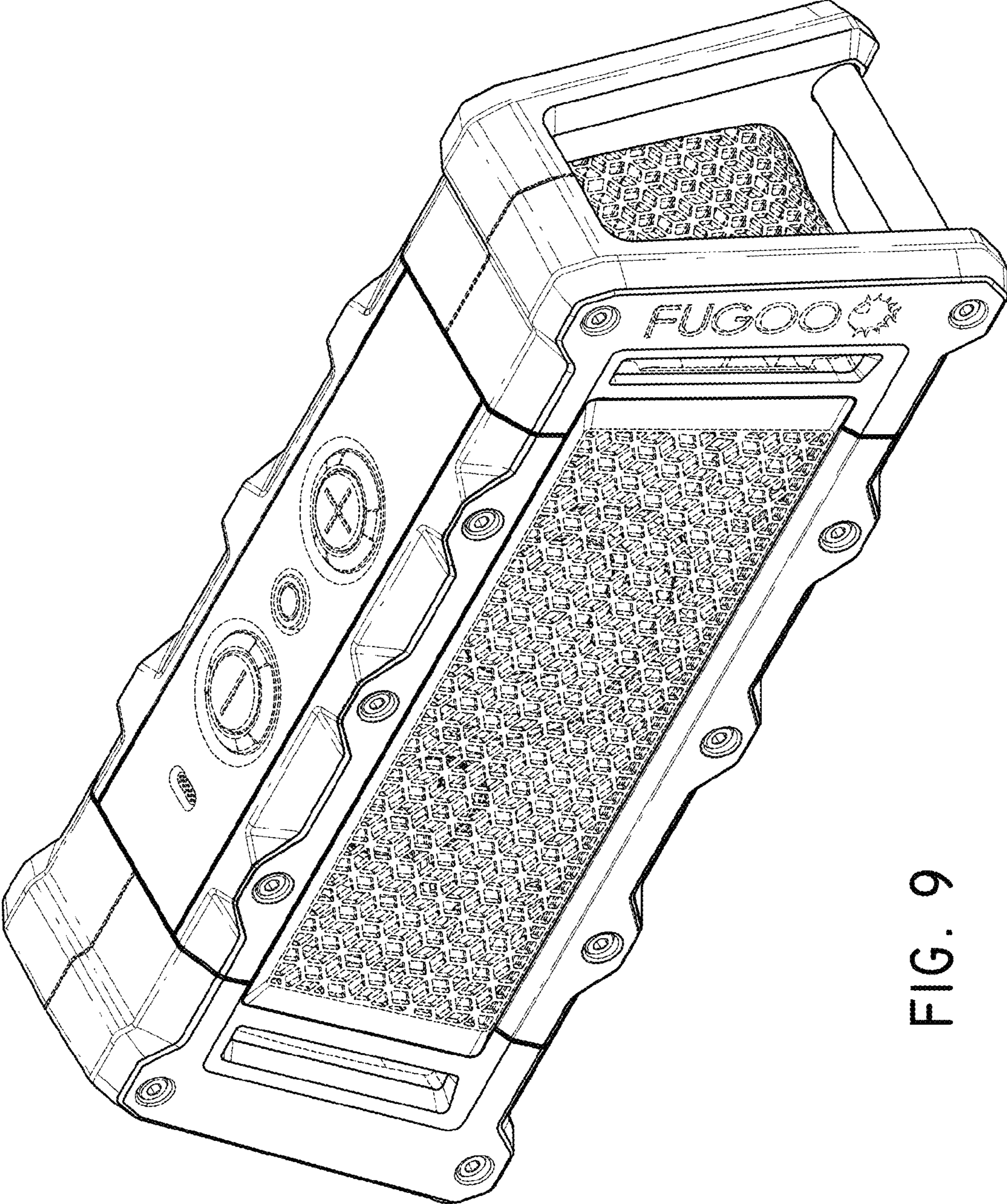


FIG. 9