



US00D736745S

(12) **United States Design Patent**
Yau et al.

(10) **Patent No.:** **US D736,745 S**

(45) **Date of Patent:** **** Aug. 18, 2015**

(54) **JACKET FOR PORTABLE SPEAKER**

D646,665 S * 10/2011 Iijima D14/214
8,090,137 B2 1/2012 Ryan
8,194,897 B2 6/2012 Choi

(Continued)

(71) Applicant: **Fugoo Corporation**, Irvine, CA (US)

(72) Inventors: **Ho Koon Yau**, Yorba Linda, CA (US);
Alejandro Garfio, West Covina, CA
(US); **Kit Mok**, Lakewood, CA (US);
Howard Shi-How Cheng, Irvine, CA
(US)

FOREIGN PATENT DOCUMENTS

JP 1408180 S 1/2011
JP 1452612 S 9/2012
WO WO 2007/100706 9/2007

(73) Assignee: **Fugoo Corporation**, Irvine, CA (US)

OTHER PUBLICATIONS

Jawbone Mini Jambox, <http://www.bestbuy.com/site/jawbone-mini-jambox-wireless-speaker-blue-diamond/1584782>.
p?id=1219056361326&skuld=1584782, retrieved on Mar. 13, 2015.

(Continued)

(**) Term: **14 Years**

Primary Examiner — Prabhakar Deshmukh

(21) Appl. No.: **29/476,074**

(74) *Attorney, Agent, or Firm* — Knobbe Martens Olson & Bear LLP

(22) Filed: **Dec. 10, 2013**

(51) **LOC (10) Cl.** **14-01**

(52) **U.S. Cl.**

USPC **D14/221**; D14/217

(58) **Field of Classification Search**

USPC D14/204, 204.1, 210–216, 172, 434,
D14/265, 221, 209.1; 181/143, 144, 147,
181/148, 150–153, 157, 198, 199;
381/300–306, 332, 333, 336, 345,
381/361–364

See application file for complete search history.

(57) **CLAIM**

The ornamental design for a jacket for a portable speaker, as shown and described.

DESCRIPTION

FIG. 1 is a top, front and side perspective view of a jacket for a portable speaker embodying my new design.

FIG. 2 is a bottom, back and side perspective view thereof.

FIG. 3 is a back view thereof.

FIG. 4 is a front view thereof.

FIG. 5 is a bottom view thereof

FIG. 6 is a top view thereof.

FIG. 7 is a first side view thereof; and,

FIG. 8 is a second side view thereof.

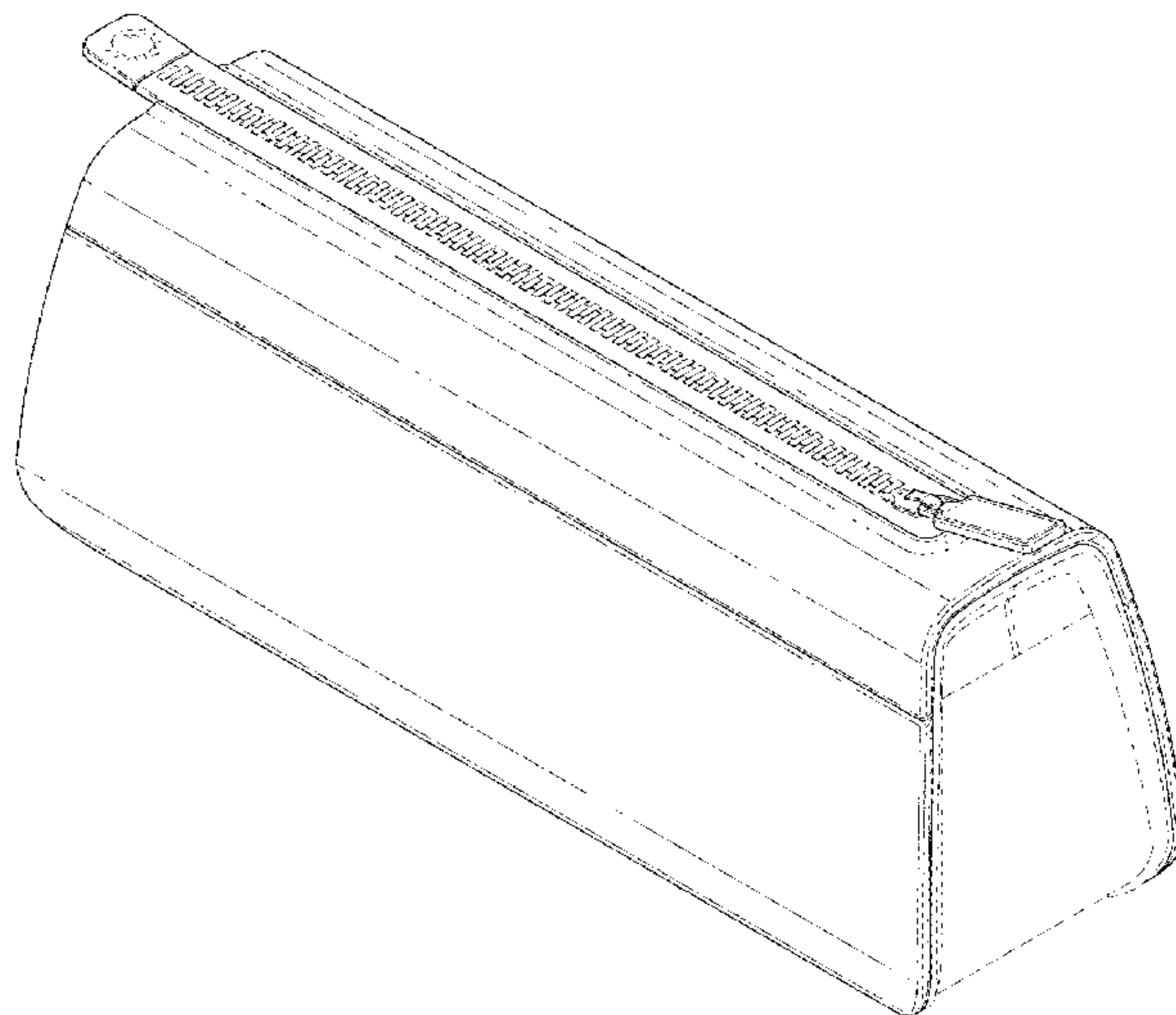
Broken lines are used to illustrate features of the jacket for a portable speaker which form no part of the claimed design. In FIGS. 1, 2, 5-8, the jacket is shown surrounding a portable speaker which represents environmental use and forms no part of the claimed design.

(56) **References Cited**

U.S. PATENT DOCUMENTS

6,035,962 A 3/2000 Lin
6,665,412 B1 * 12/2003 Mizoguchi 381/336
6,910,548 B2 * 6/2005 Powell 181/199
7,155,026 B2 12/2006 Augustin, Sr. et al.
7,221,772 B2 * 5/2007 Evenisse et al. 381/386
7,242,785 B2 7/2007 McNary
D551,208 S * 9/2007 Yano D14/214
D552,081 S * 10/2007 Yano D14/214
D553,120 S * 10/2007 Yano D14/214
7,469,052 B2 * 12/2008 Peavey 381/334
7,764,806 B2 * 7/2010 Pei et al. 381/335

1 Claim, 7 Drawing Sheets



(56)

References Cited

U.S. PATENT DOCUMENTS

D673,525	S *	1/2013	Goetzen et al.	D14/209.1
8,351,638	B2	1/2013	Park		
8,406,449	B2	3/2013	Wegener		
D705,753	S *	5/2014	Kimura	D14/209.1
D710,332	S *	8/2014	Baird et al.	D14/221
2009/0161903	A1	6/2009	White		
2013/0177196	A1	7/2013	Lee		

OTHER PUBLICATIONS

Jensen Bluetooth Wireless Stereo Speaker, <http://www.bestbuy.com/site/jensen-bluetooth-wireless-stereo-speaker-black/6544488.p?id=1218748100411&skuId=6544488>, retrieved on Mar. 13, 2015.
 Libratone Live Wireless Airplay Speakers, <https://shop.libratone.com/en-us/wireless-airplay-speakers/libratone-live/c-54/c-288/p-207/>, retrieved on Jan. 6, 2014.
 Libratone Zipp, http://reviews.cnet.com/bluetooth-speakers/libratone-zipp-gray/4505-34810_7-35530587.html?autoplay=true, CNET review date of Nov. 12, 2012, retrieved on Jan. 8, 2014.

JBL Flip, http://reviews.cnet.com/bluetooth-speakers/jbl-flip-black/4505-34810_7-35550919.html, CNET review date of Dec. 21, 2012, retrieved on Jan. 6, 2014.
 Jawbone Jambox, http://reviews.cnet.com/portable-speakers/jawbone-jambox-black-diamond/4505-11313_7-34207708.html, CNET review date of Nov. 4, 2010, retrieved on Jan. 6, 2014.
 Jawbone Big Jambox, http://reviews.cnet.com/bluetooth-speakers/jawbone-big-jambox-graphite/4505-34810_7-35244085.html, CNET review date of Apr. 30, 2012, retrieved on Jan. 6, 2014.
 Logitech UE Boom, http://reviews.cnet.com/portable-speakers/logitech-ue-boom-blue/4505-11313_7-35765418.html, CNET review date of Jun. 18, 2013, retrieved on Jan. 6, 2014.
 JBL Charge, http://reviews.cnet.com/portable-speakers/jbl-charge-blue/4505-11313_7-35613369.html, CNET review date of Apr. 8, 2013, retrieved on Jan. 6, 2014.
 Beats Pill, http://reviews.cnet.com/portable-speakers/beats-pill-black/4505-11313_7-35493112.html, CNET review date of Nov. 21, 2012, retrieved on Jan. 6, 2014.

* cited by examiner

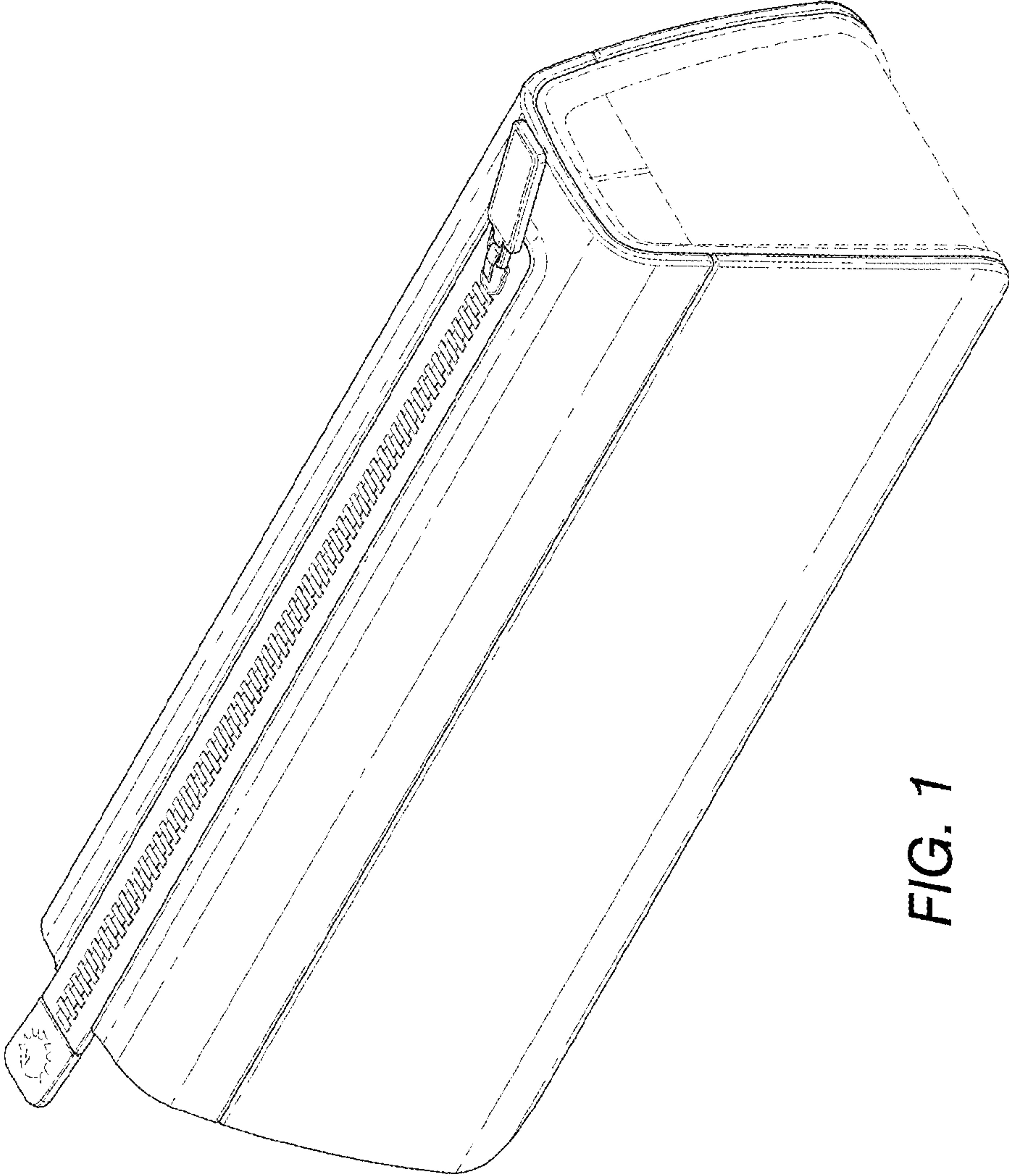


FIG. 1

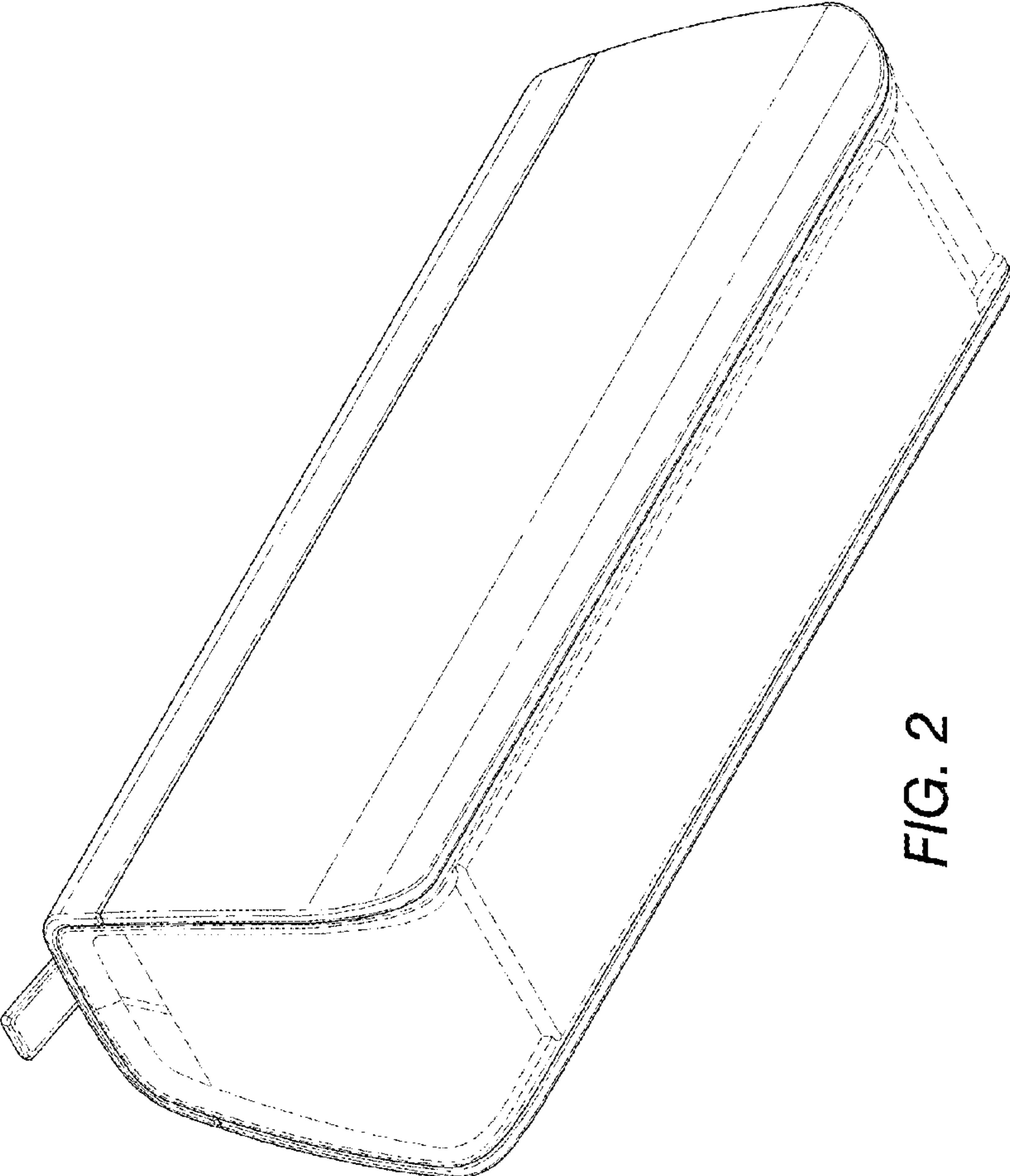


FIG. 2

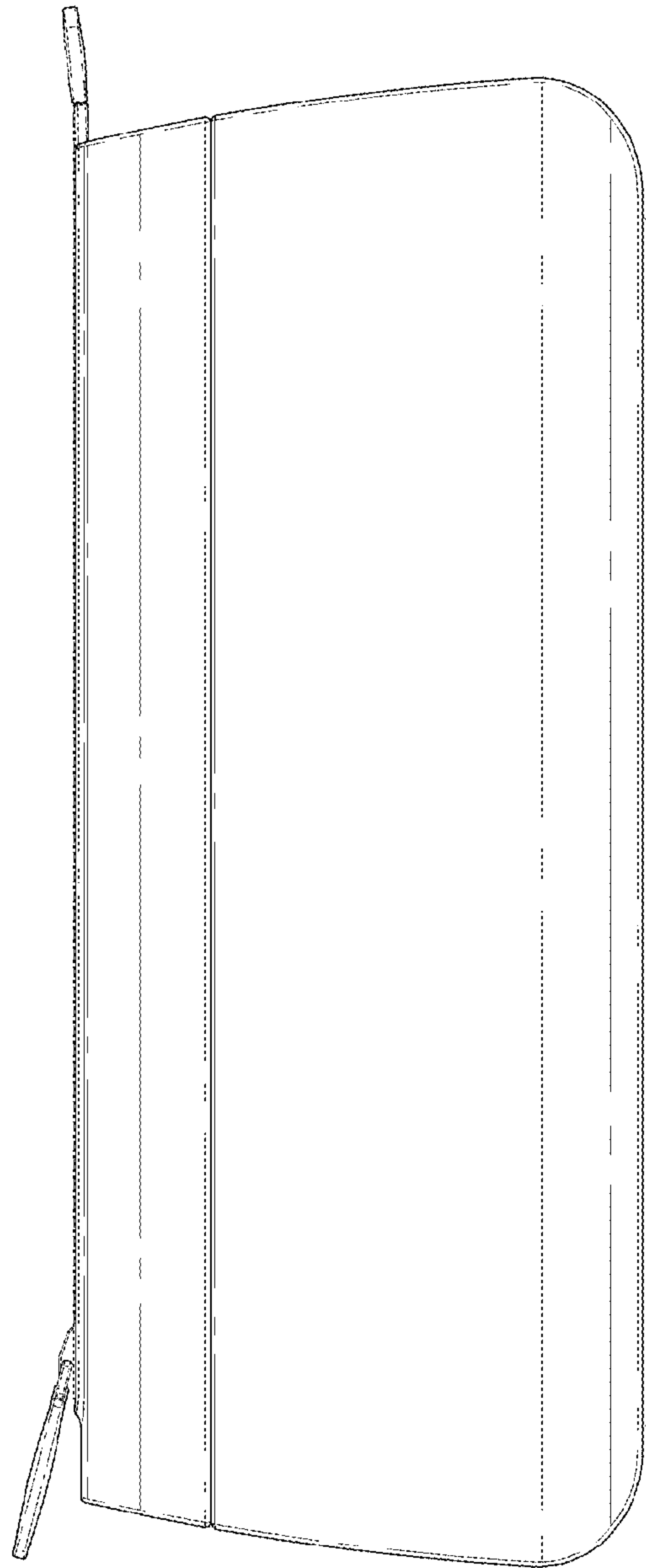


FIG. 3

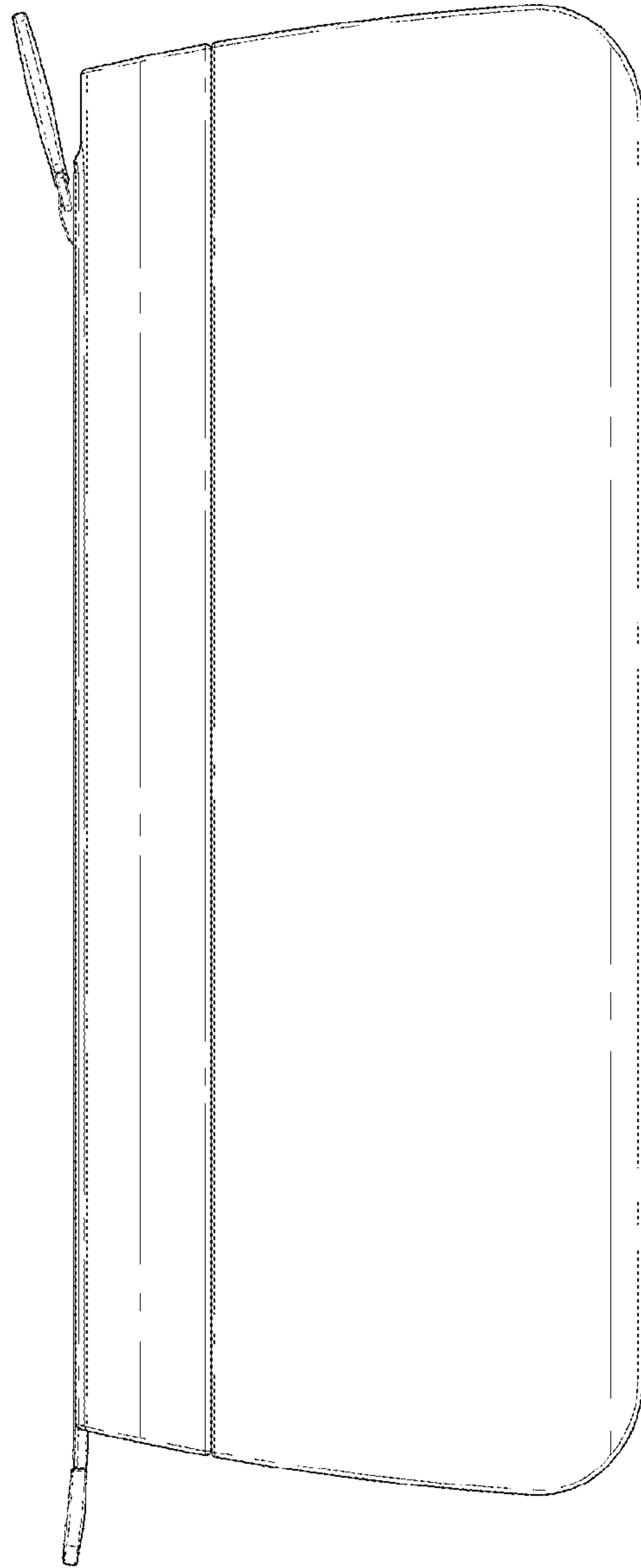


FIG. 4

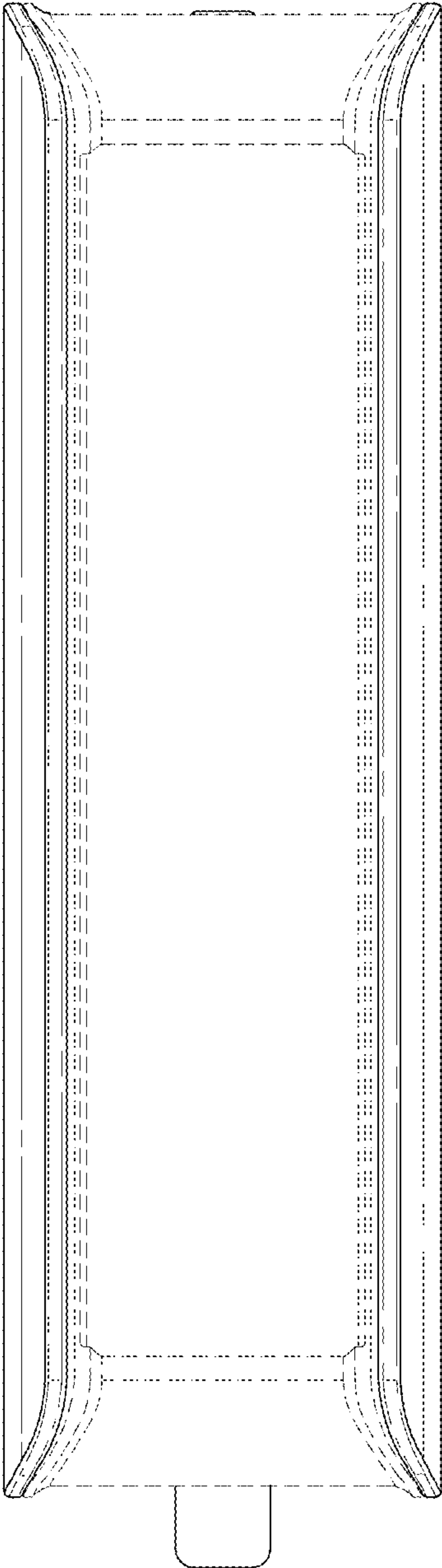


FIG. 5

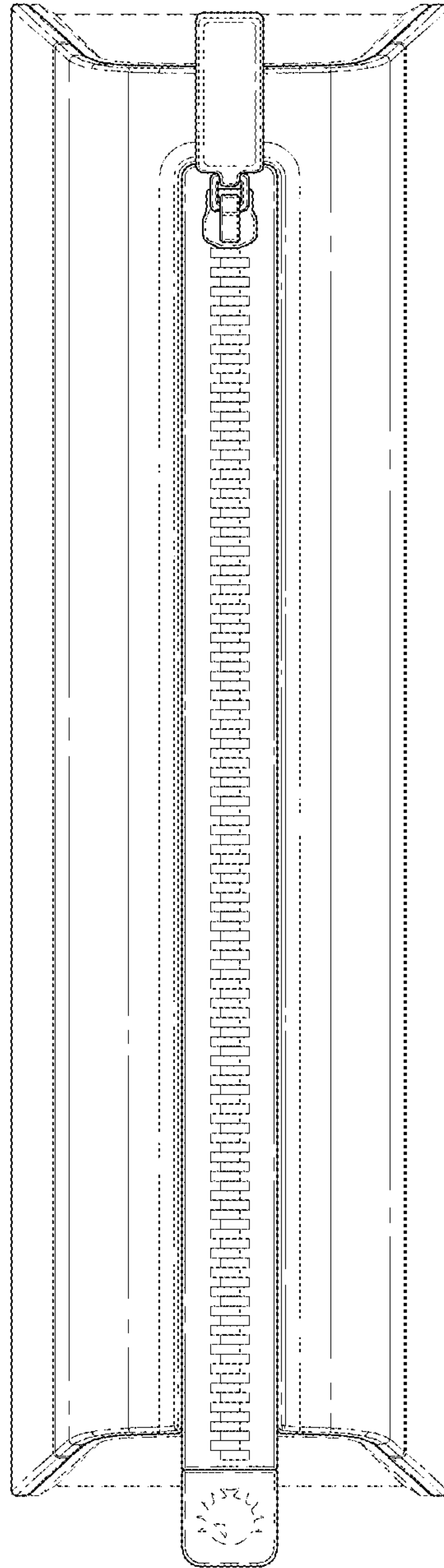


FIG. 6

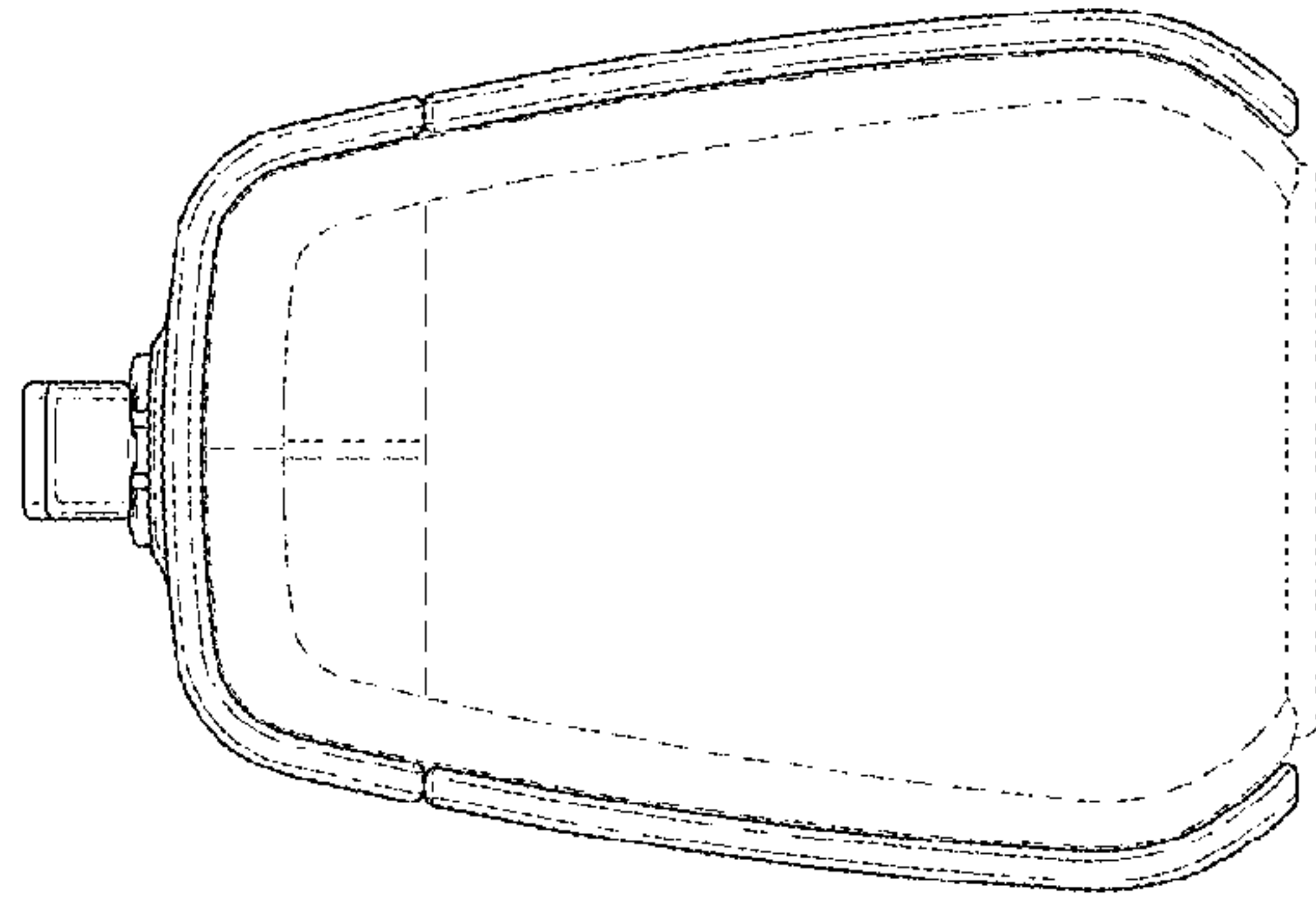


FIG. 8

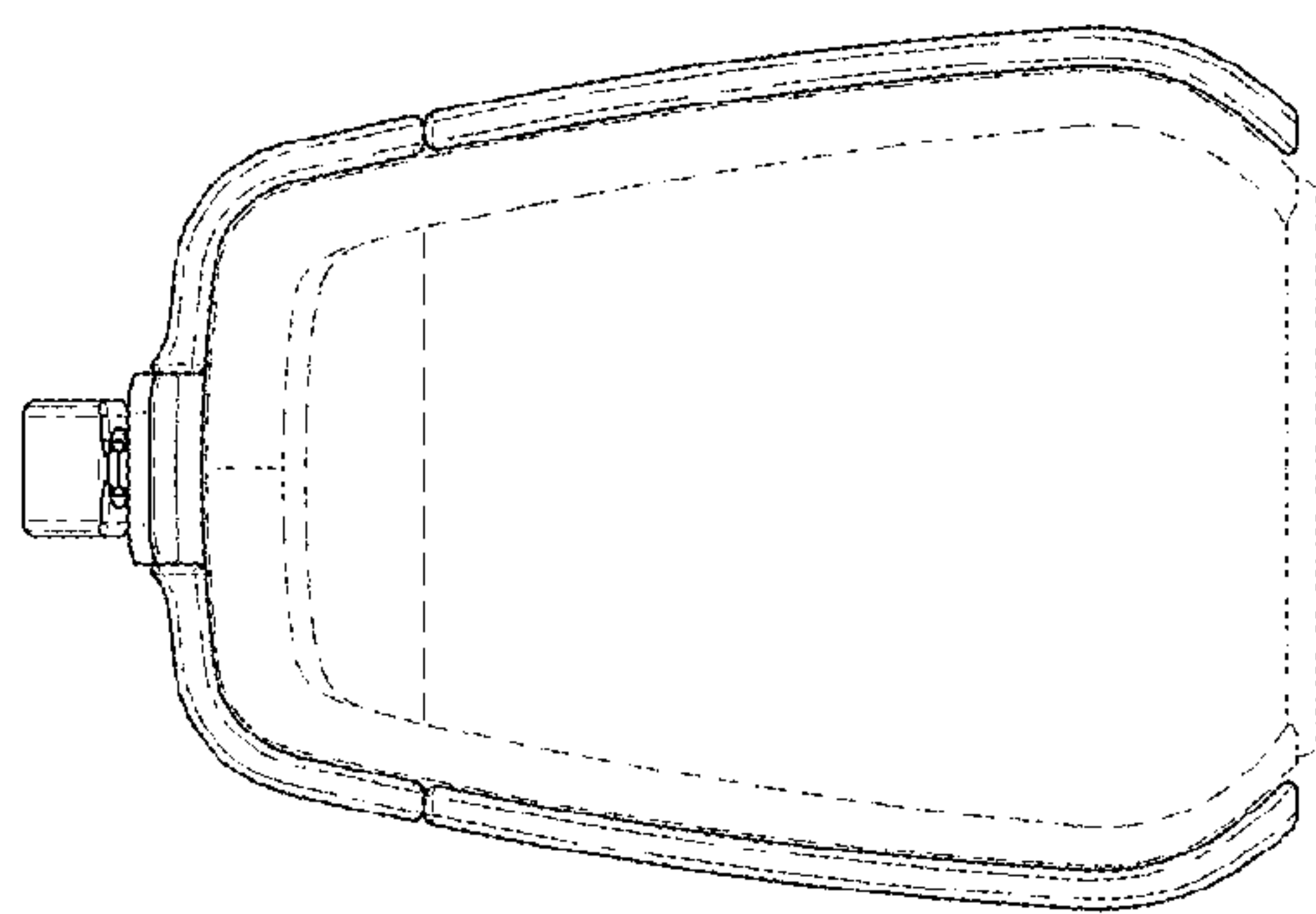


FIG. 7