



US00D736743S

(12) **United States Design Patent**
Kowaki et al.

(10) **Patent No.:** **US D736,743 S**
(45) **Date of Patent:** **** Aug. 18, 2015**

(54) **LOUDSPEAKER WITH AMPLIFIER**

(71) Applicant: **FUJITSU TEN LIMITED**, Kobe-shi,
Hyogo (JP)

(72) Inventors: **Hiroshi Kowaki**, Kobe (JP); **Kiyosei
Shibata**, Kobe (JP); **Katsuhiko Taira**,
Osaka (JP)

(73) Assignee: **Fujitsu Ten Limited**, Kobe-shi (JP)

(**) Term: **14 Years**

(21) Appl. No.: **29/462,710**

(22) Filed: **Aug. 7, 2013**

(51) **LOC (10) Cl.** **14-03**

(52) **U.S. Cl.**
USPC **D14/215**

(58) **Field of Classification Search**

USPC D14/167, 168, 170–172, 188, 194–196,
D14/204, 207, 209.1, 210–216, 219, 221,
D14/222, 224, 496; 181/143, 144, 147, 148,
181/150, 153, 157, 198, 199; 381/300–303,
381/306, 332, 333, 336, 345, 361–364,
381/386–388; 369/6–12; D16/200,
D16/202–204, 208, 214
CPC B60R 11/0217; G06F 1/1688; H04M 1/03;
H04M 1/035; H04R 1/02; H04R 1/06; H04R
1/021; H04R 1/025; H04R 1/026; H04R
1/028; H04R 1/105; H04R 1/323; H04R
1/403; H04R 1/2803; H04R 1/2834; H04R
5/02; H04R 7/20; H04R 9/06; H04R 9/025;
H04R 2201/021; H04R 2400/00; H04R
2400/07; H04R 2499/11; H04R 2499/13;
H04R 2499/15; H04S 3/00; H04S 7/30

See application file for complete search history.

(56) **References Cited**

U.S. PATENT DOCUMENTS

D258,918 S *	4/1981	Miller, Jr.	D26/93
D394,274 S *	5/1998	Suzuki	D16/202
D497,358 S *	10/2004	Takeuchi et al.	D14/211
D500,511 S *	1/2005	Sybilrud	D16/203
D514,088 S *	1/2006	Taira et al.	D14/211
D524,799 S *	7/2006	Hibi	D14/216
D533,575 S *	12/2006	Reawsanguanwong et al.	D16/202
D545,858 S *	7/2007	Li	D16/202
D563,286 S *	3/2008	Files	D12/114
D584,717 S *	1/2009	Files	D14/216
D591,267 S *	4/2009	Files	D14/216
D626,983 S *	11/2010	Serge et al.	D16/202
D716,766 S *	11/2014	Lee	D14/215

FOREIGN PATENT DOCUMENTS

CN	201130500823.8	8/2012
JP	D-1126626	11/2001
JP	D-1450515	9/2012
TW	D126438	12/2008

* cited by examiner

Primary Examiner — Keli L Hill

(74) *Attorney, Agent, or Firm* — Oliff PLC

(57) **CLAIM**

The ornamental design for a loudspeaker with amplifier, as shown and described.

DESCRIPTION

FIG. 1 is a perspective view of a loudspeaker with amplifier; FIG. 2 is a front view thereof; FIG. 3 is a left-side view thereof; FIG. 4 is a right-side view thereof; FIG. 5 is a rear view thereof; FIG. 6 is a top view thereof; and, FIG. 7 is a bottom view thereof. The broken lines depict environmental subject matter only and form no part of the claimed design.

1 Claim, 7 Drawing Sheets

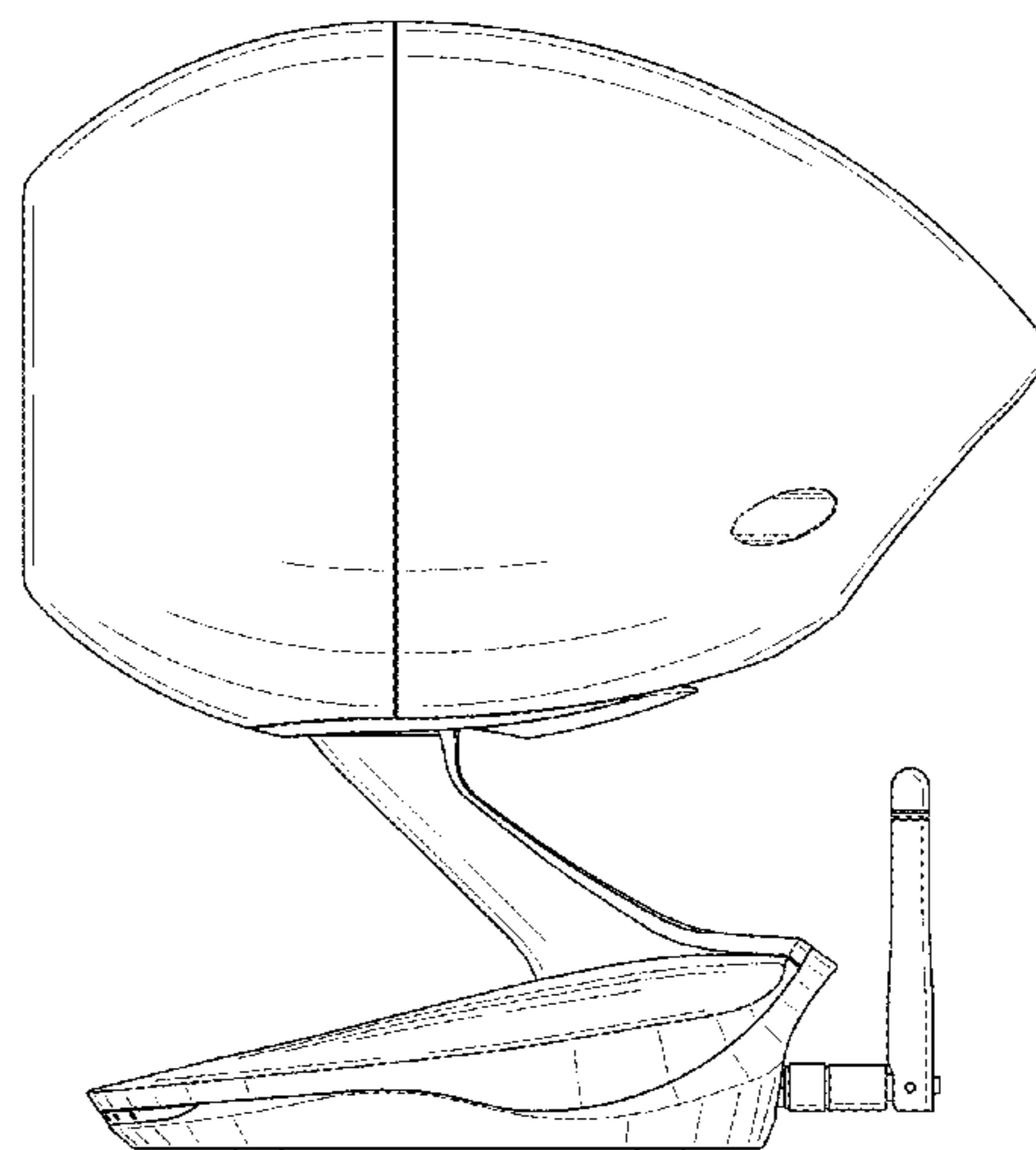
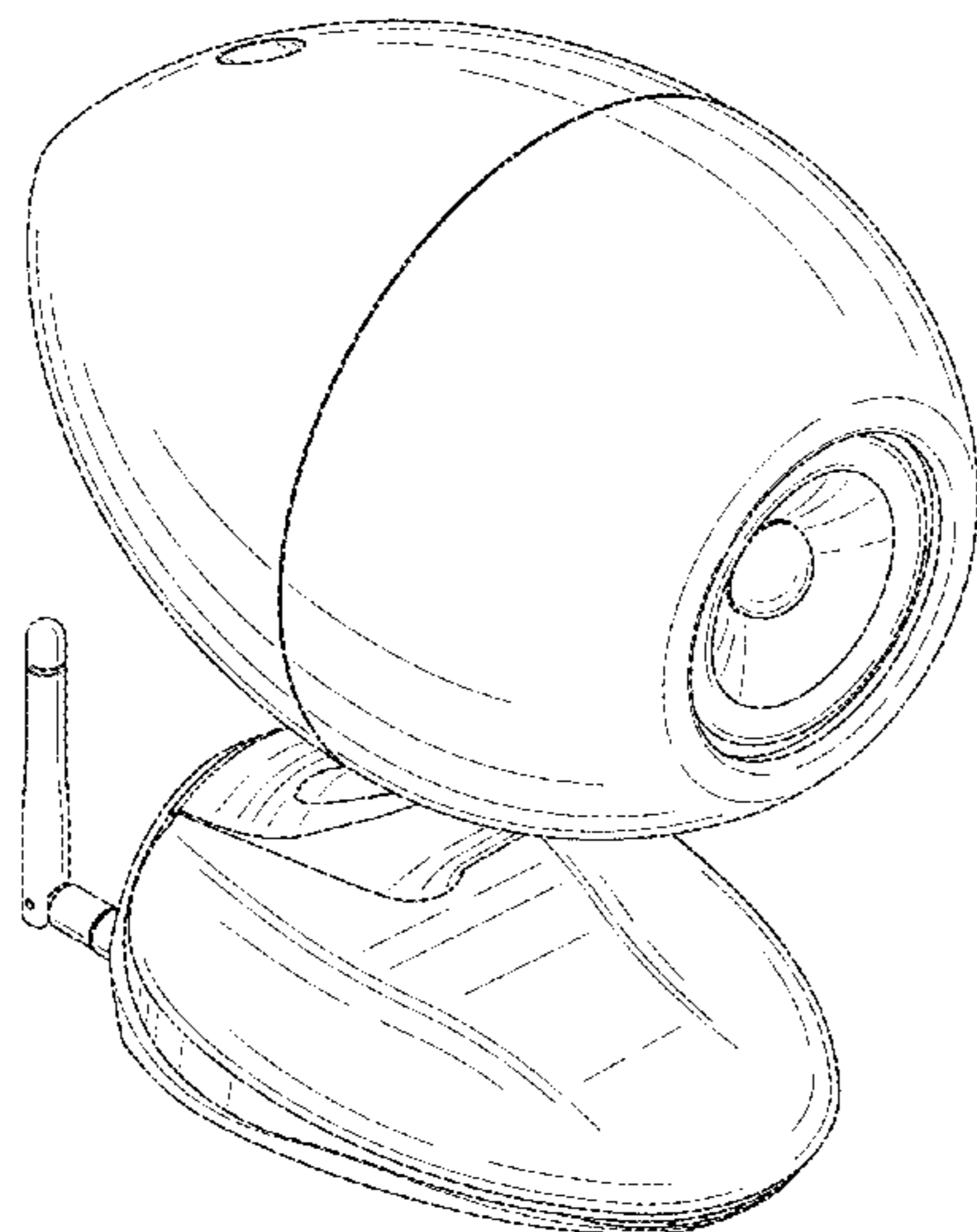


FIG. 1

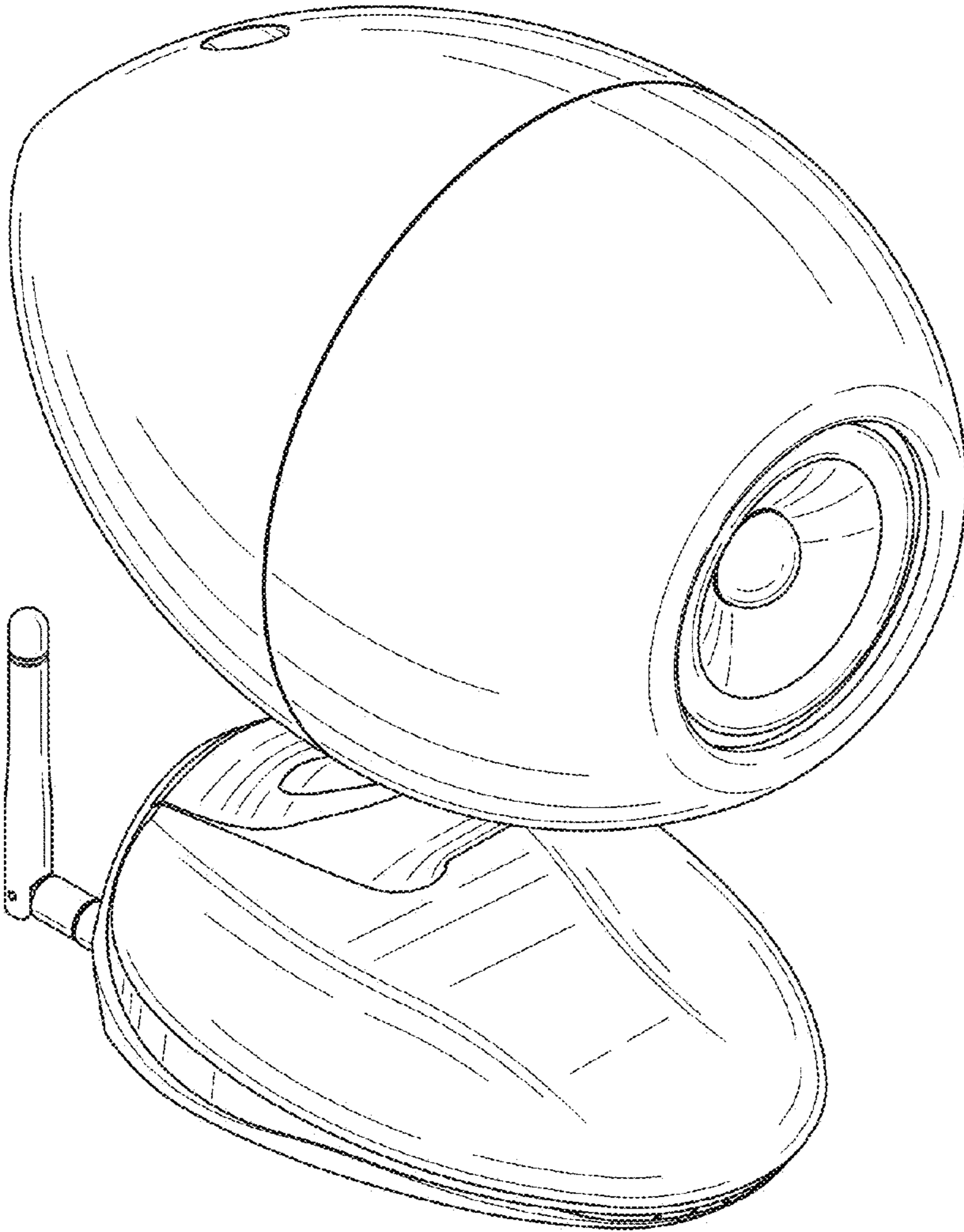


FIG. 2

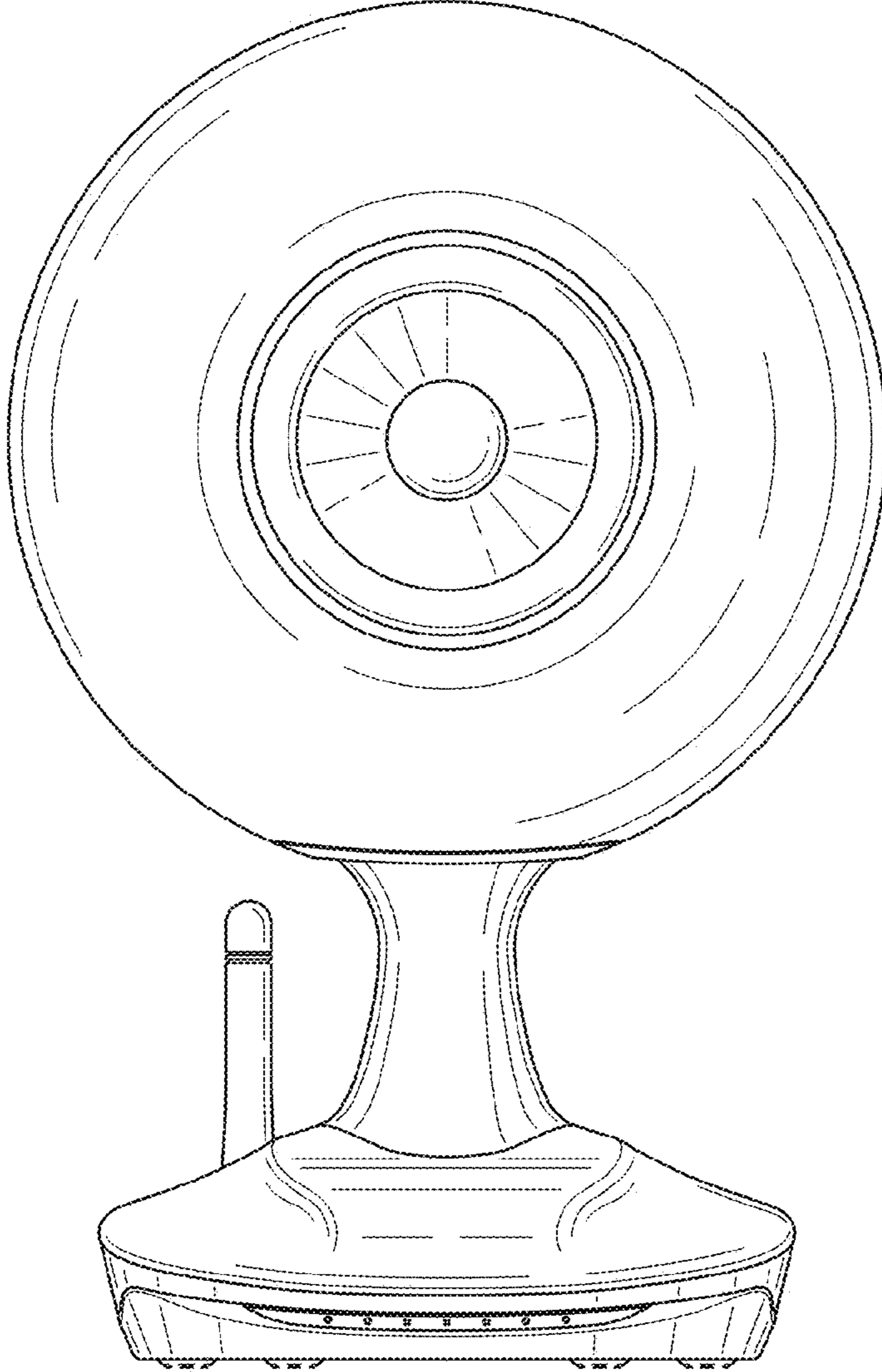


FIG. 3

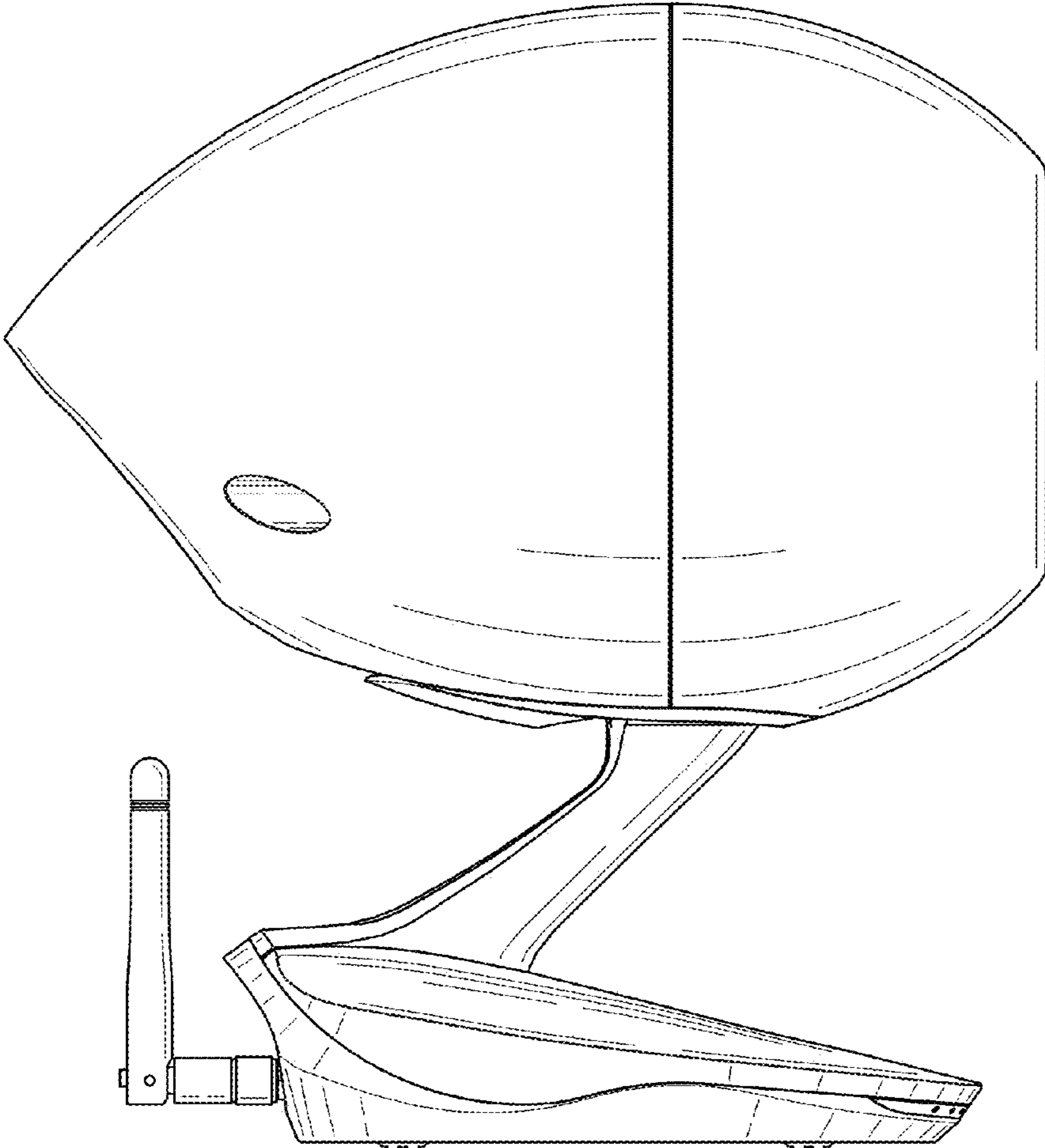


FIG. 4

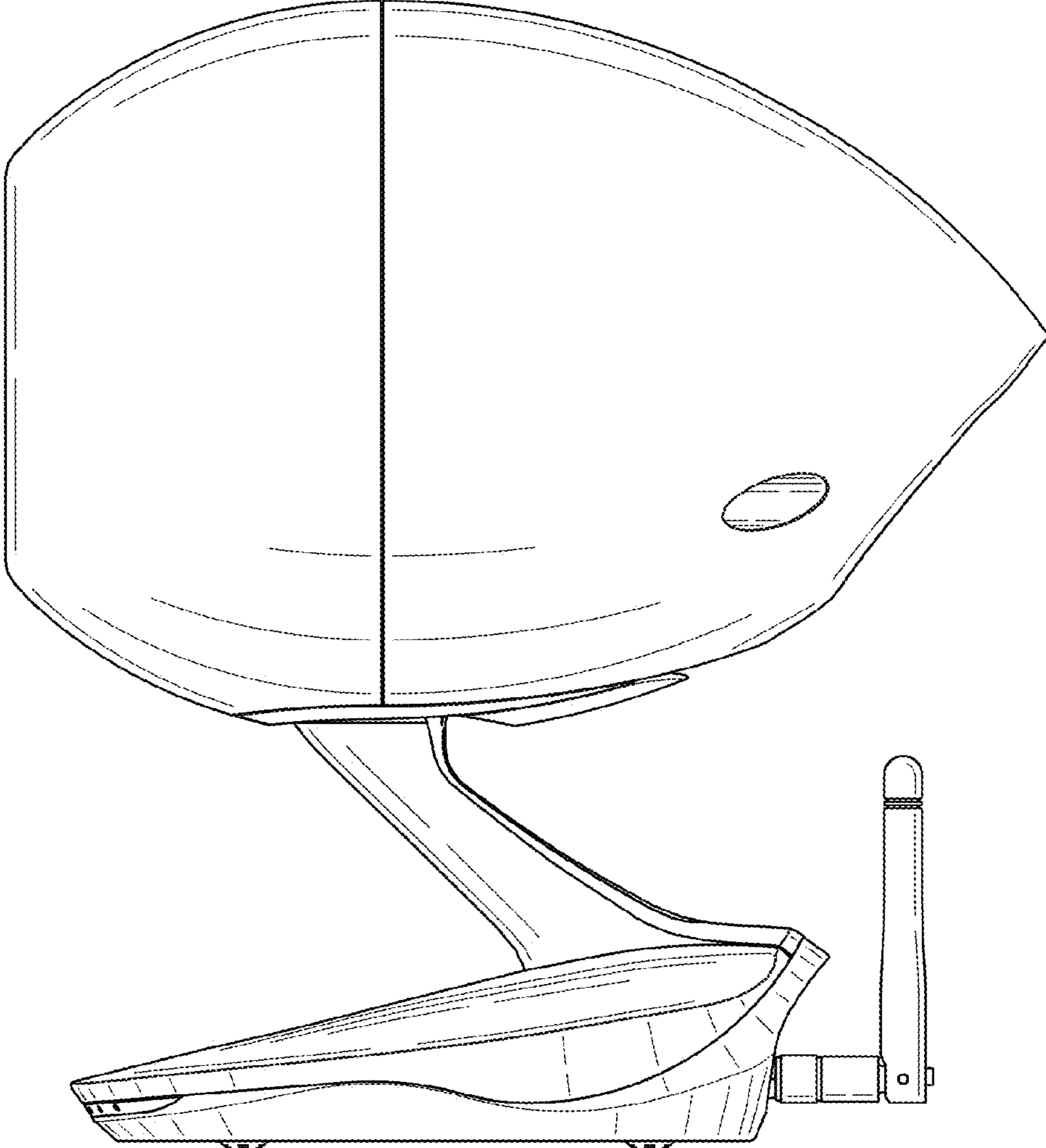


FIG. 5

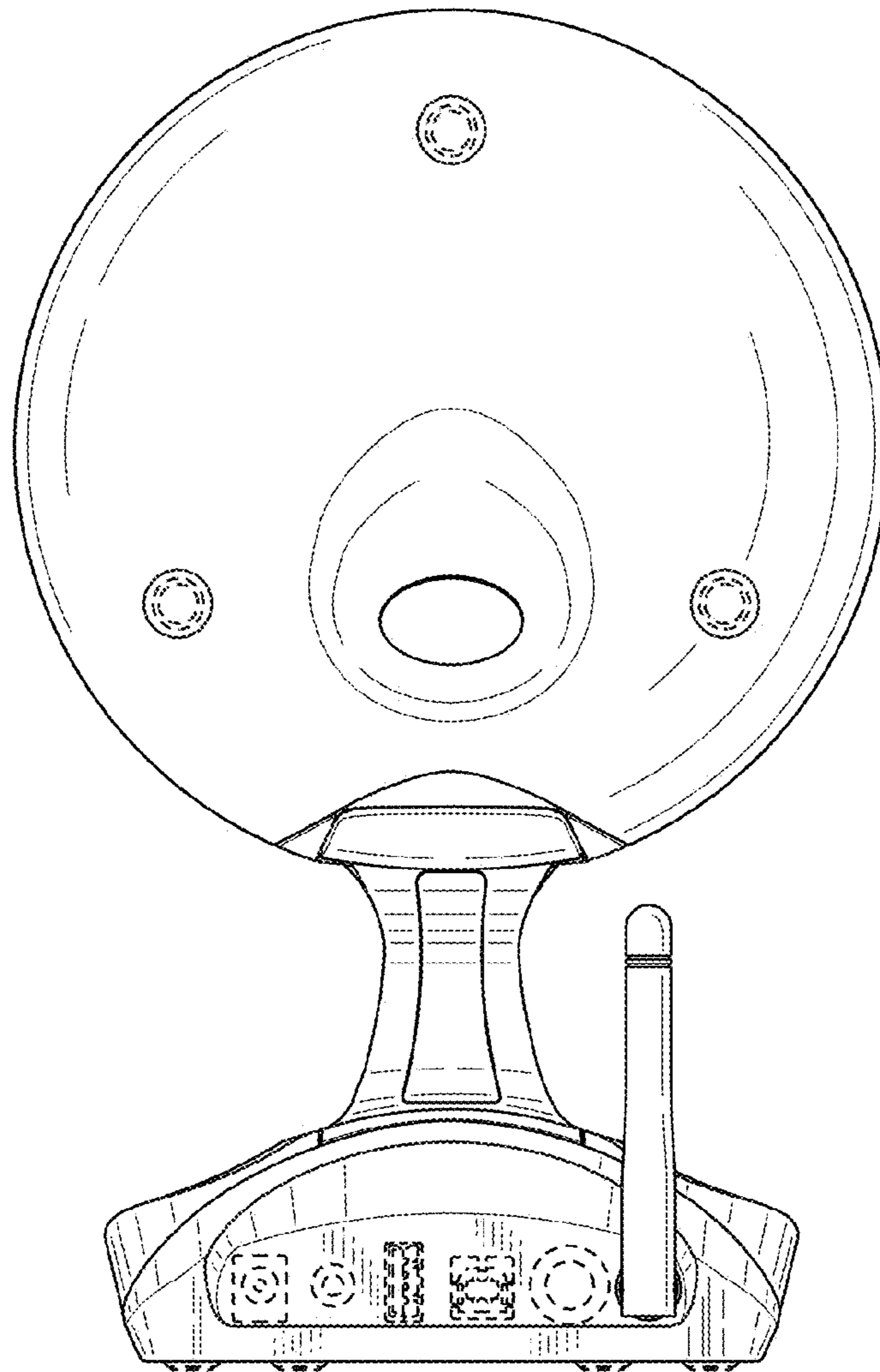


FIG. 6

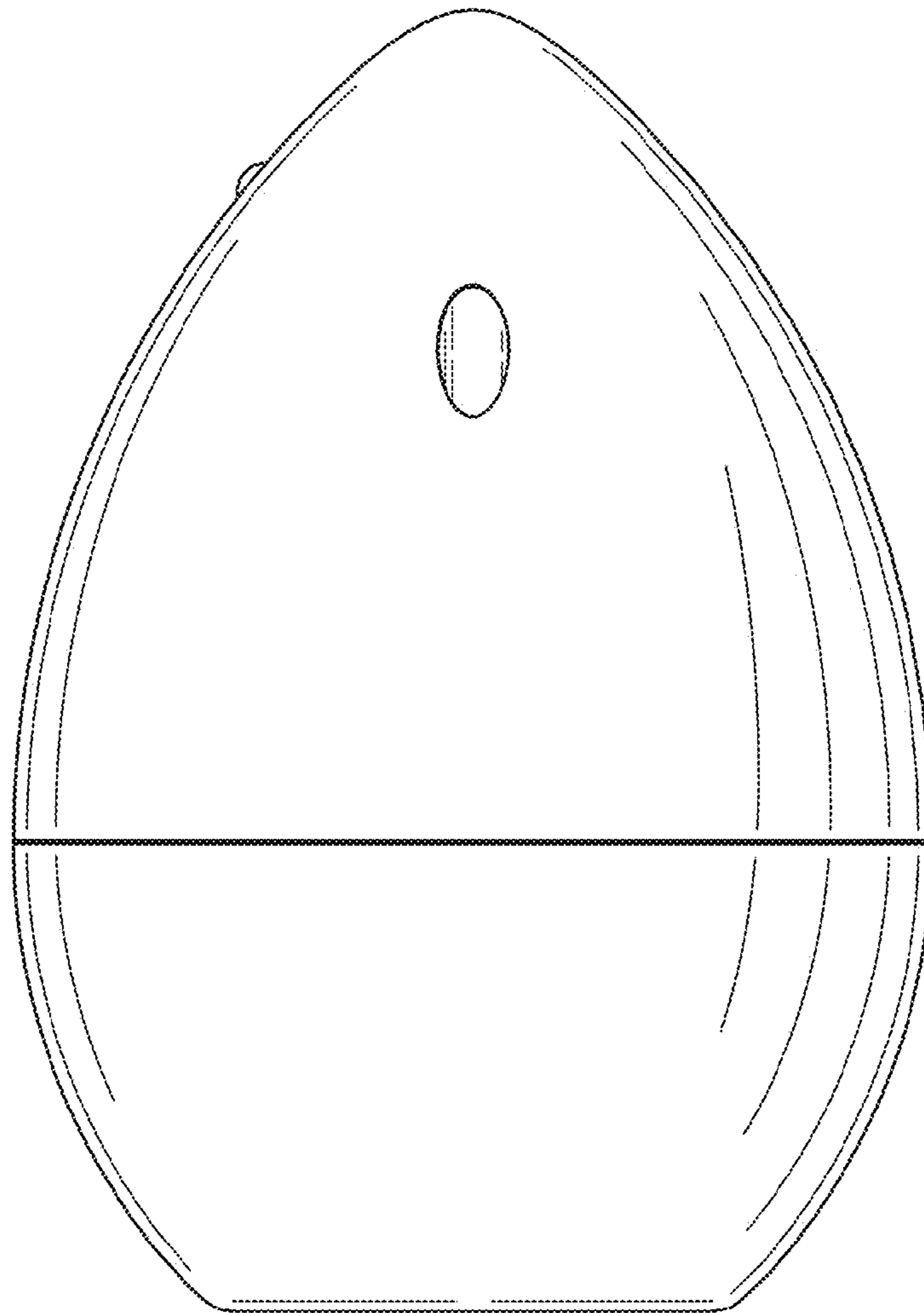


FIG. 7

