



US00D736740S

(12) **United States Design Patent**
Hwang

(10) **Patent No.:** **US D736,740 S**
(45) **Date of Patent:** **** Aug. 18, 2015**

(54) **WEARABLE AUDIO DEVICE**

(71) Applicant: **Bose Corporation**, Framingham, MA (US)

(72) Inventor: **Yuree Hwang**, Framingham, MA (US)

(73) Assignee: **Bose Corporation**, Framingham, MA (US)

(**) Term: **14 Years**

(21) Appl. No.: **29/496,899**

(22) Filed: **Jul. 18, 2014**

(51) **LOC (10) Cl.** **14-01**

(52) **U.S. Cl.**
USPC **D14/205**

(58) **Field of Classification Search**
USPC D14/205, 223, 188, 192; 181/129, 130, 181/135; 379/430, 431; 381/380, 381, 374; 455/90.3, 575.1
CPC H04R 25/00
See application file for complete search history.

(56) **References Cited**

U.S. PATENT DOCUMENTS

3,863,028	A *	1/1975	Fixler	381/19
4,070,553	A *	1/1978	Hass	381/301
4,110,583	A *	8/1978	Lepper	381/382
4,649,570	A *	3/1987	Terbrack et al.	455/344
5,313,678	A *	5/1994	Redewill	5/639
D371,558	S *	7/1996	Yoshizawa	D14/205
D381,414	S *	7/1997	Westerdal	D24/106
6,010,216	A *	1/2000	Jesiek	351/158
6,195,806	B1 *	3/2001	Campbell	2/209
D458,245	S *	6/2002	Masuda	D14/205
D471,176	S *	3/2003	Suzuki	D14/205
6,603,863	B1 *	8/2003	Nagayoshi	381/380
6,741,719	B1 *	5/2004	Orten	381/380
D502,463	S *	3/2005	Bhakta	D14/205
D512,981	S *	12/2005	Jacobson et al.	D14/205

D525,235	S *	7/2006	Koizumi	D14/205
7,212,645	B2 *	5/2007	Le Gette et al.	381/370
D550,202	S *	9/2007	Meier et al.	D14/206
D557,685	S *	12/2007	Lee	D14/205
D559,831	S *	1/2008	Lee	D14/205
D560,206	S *	1/2008	Hermansen	D14/206
D575,268	S *	8/2008	Christopher et al.	D14/205
7,424,125	B2 *	9/2008	Amae et al.	381/374
D587,679	S *	3/2009	Komiyama	D14/205
D590,810	S *	4/2009	Komiyama	D14/205
D593,067	S *	5/2009	Millora et al.	D14/205
D594,442	S *	6/2009	Chon et al.	D14/205
D604,269	S *	11/2009	Choe	D14/205
D617,308	S *	6/2010	Nousiainen et al.	D14/205
7,920,902	B2 *	4/2011	Carroll	455/569.1
D653,234	S *	1/2012	Lee et al.	D14/205
8,144,913	B1 *	3/2012	Myles, Jr.	381/374
D663,714	S *	7/2012	Kang et al.	D14/205

(Continued)

OTHER PUBLICATIONS

“LG Tone Pro. The Essential Audio Solution for Life on the Go.” LG Tone Pro wireless Stereo Headset. LG Electronics Corp. Retrieved from the Internet Nov. 25, 2014.

Primary Examiner — Paula Greene

(74) *Attorney, Agent, or Firm* — Bose Corporation

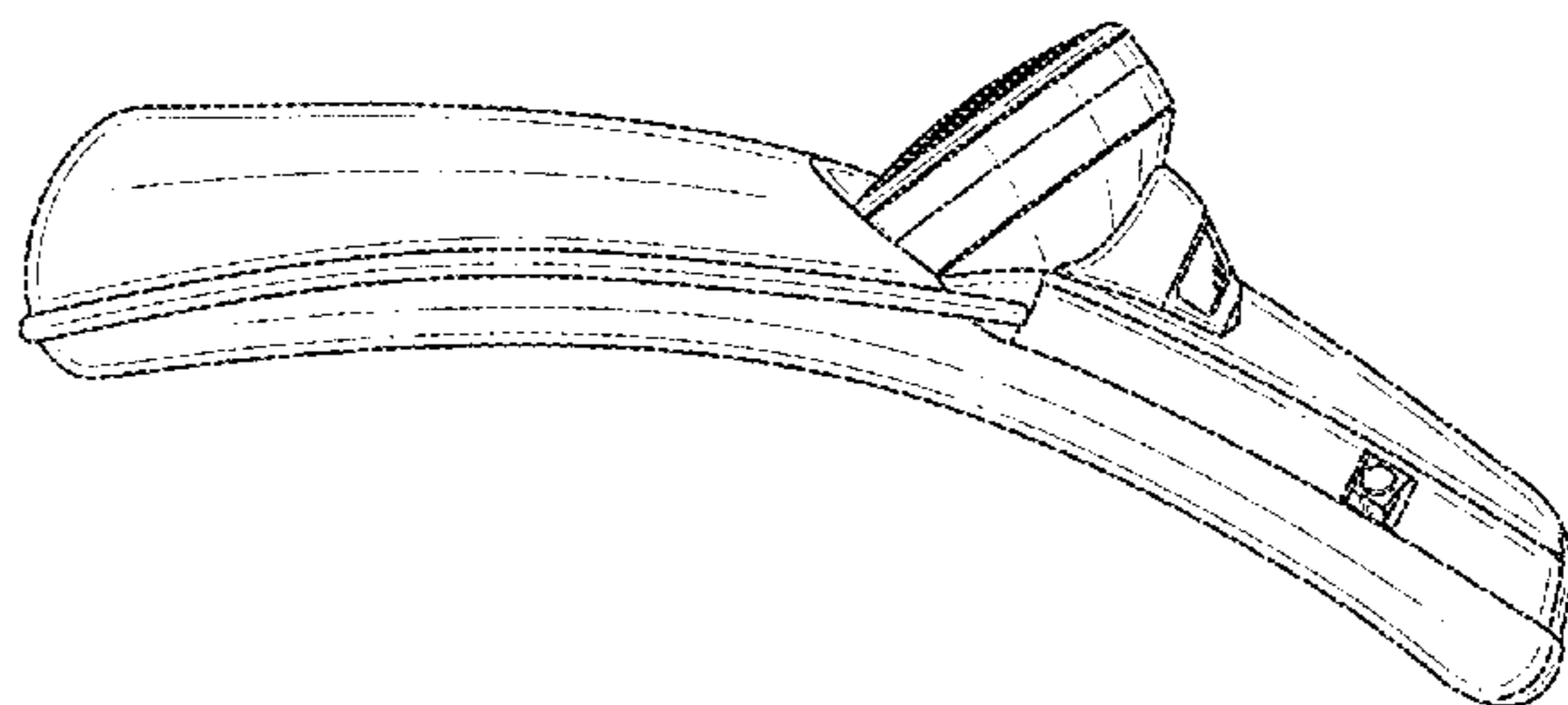
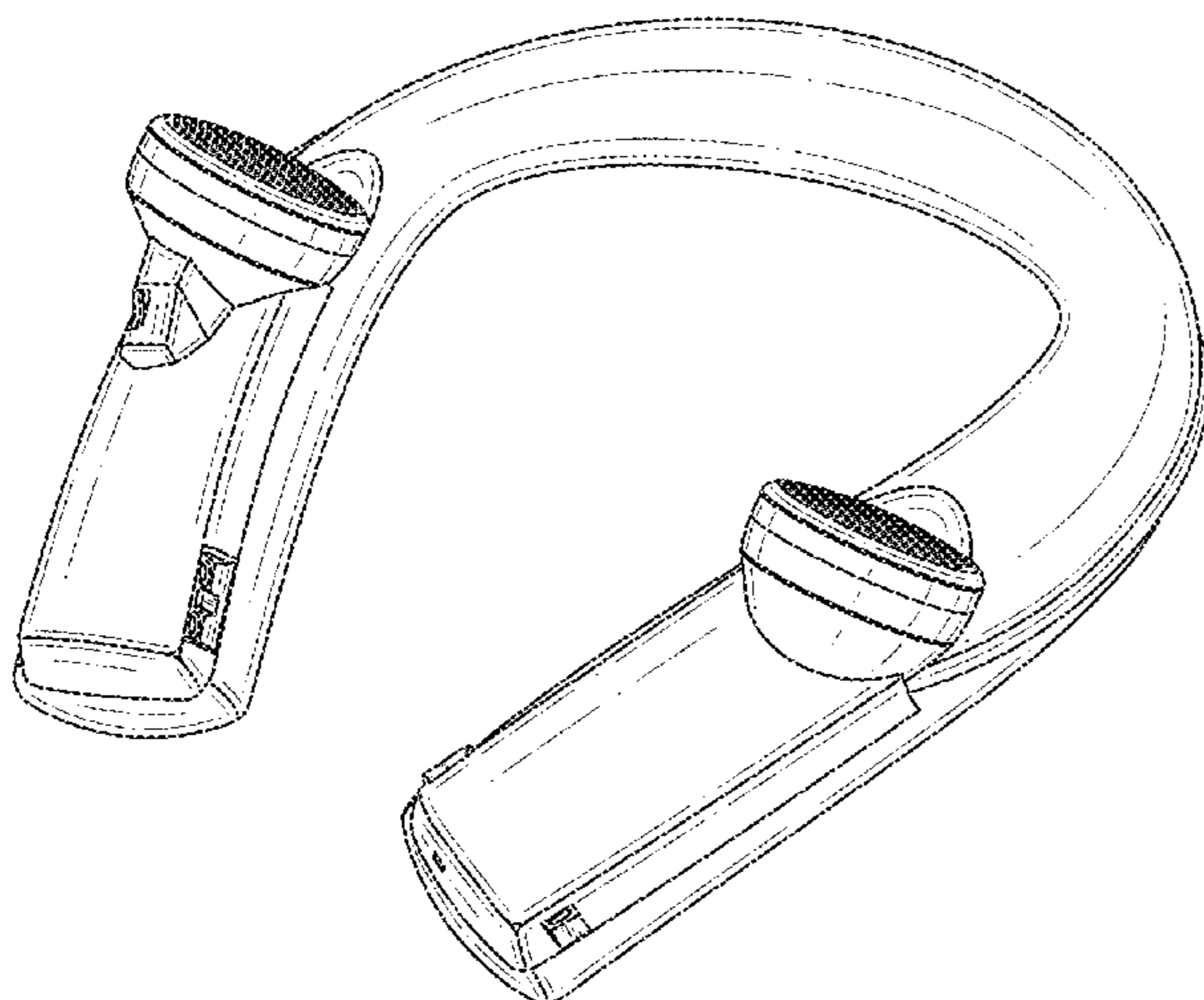
(57) **CLAIM**

The ornamental design for a wearable audio device, substantially as shown and described.

DESCRIPTION

FIG. 1 is a perspective view of a wearable audio device as seen from the front, top and side;
FIG. 2 is a front view thereof;
FIG. 3 is a side view thereof;
FIG. 4 is a back view thereof;
FIG. 5 is an opposite side view thereof;
FIG. 6 is a top side view thereof; and,
FIG. 7 is a bottom side view thereof.

1 Claim, 7 Drawing Sheets



(56)

References Cited

U.S. PATENT DOCUMENTS

D669,881 S * 10/2012 Clements et al. D14/205
D678,858 S * 3/2013 Feng et al. D14/205
8,433,082 B2 * 4/2013 Abolfathi 381/151
D703,634 S * 4/2014 Han D14/205

D706,745 S * 6/2014 Nakagawa D14/205
D707,199 S * 6/2014 Cepress et al. D14/205
D712,371 S * 9/2014 Henning D14/205
D721,673 S * 1/2015 Park et al. D14/205
2011/0170702 A1 * 7/2011 Bays 381/74
2013/0156248 A1 * 6/2013 Nakajima 381/374
2013/0329903 A1 * 12/2013 Ting 381/74

* cited by examiner

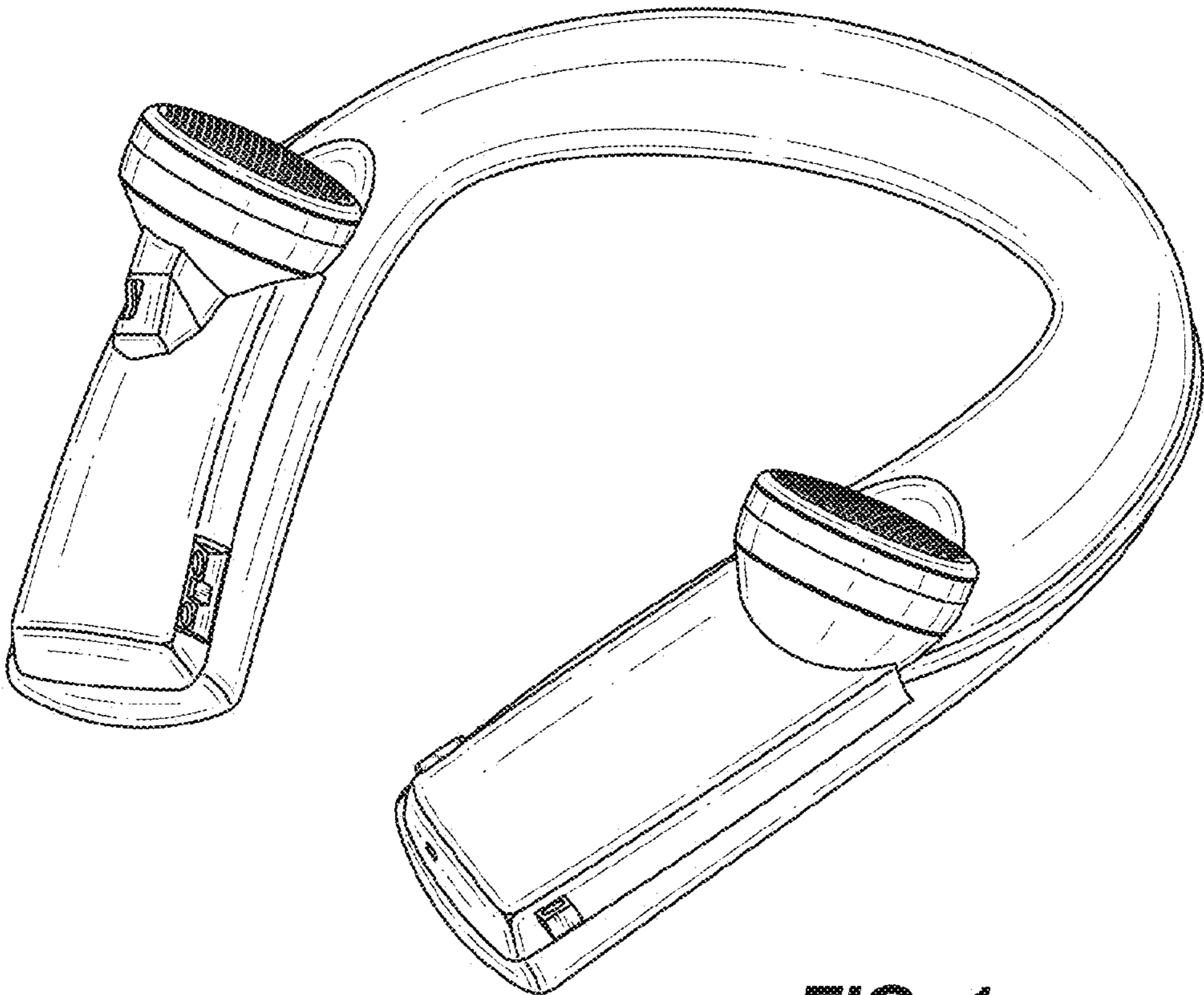


FIG. 1

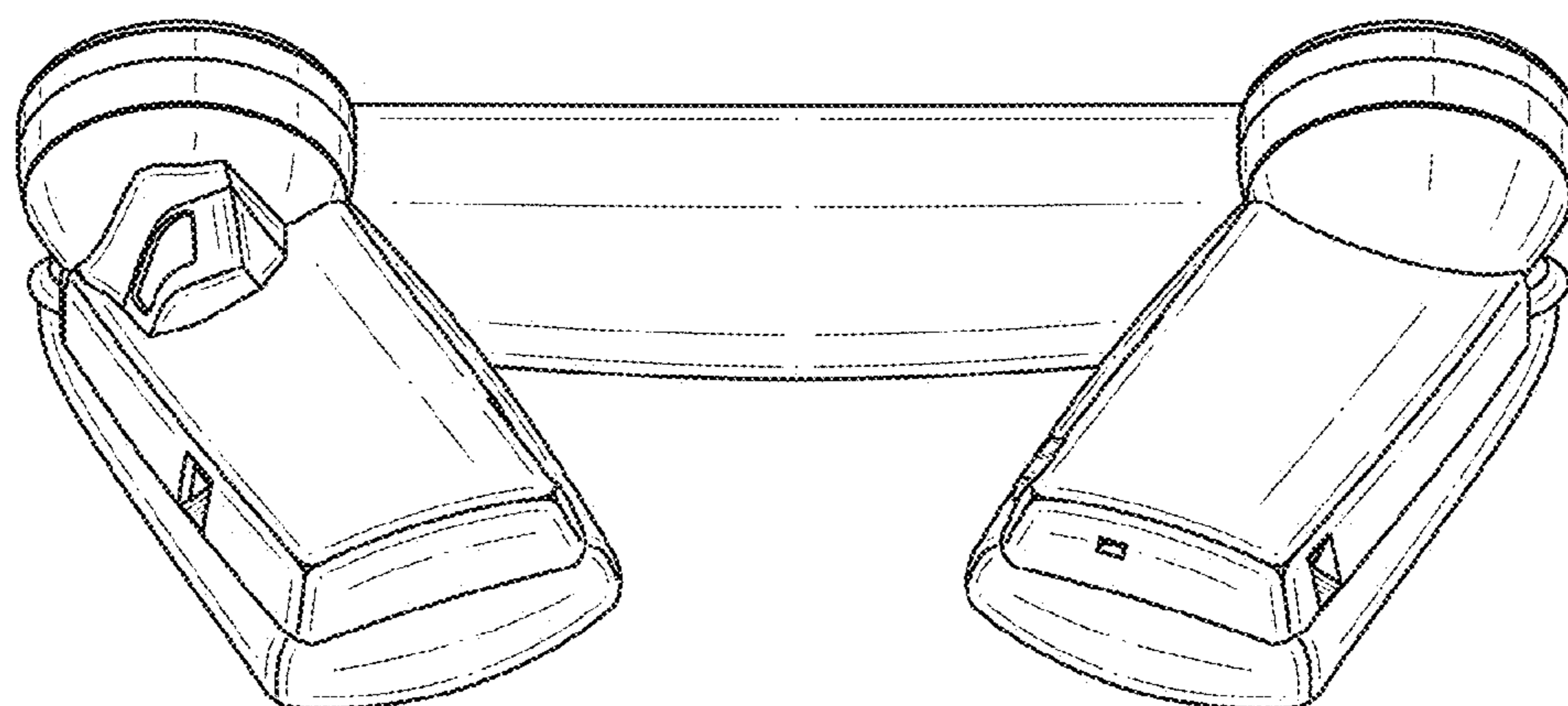


FIG. 2

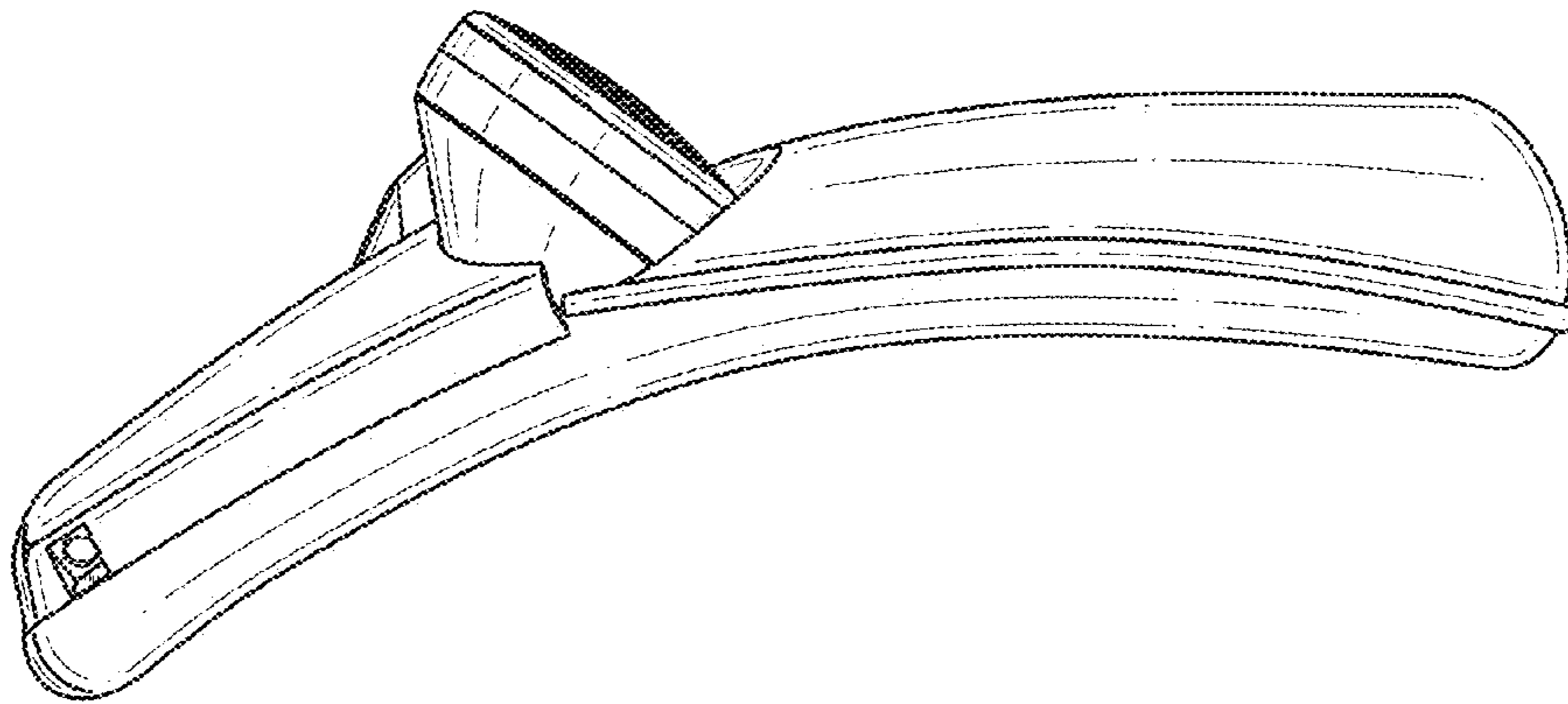


FIG. 3

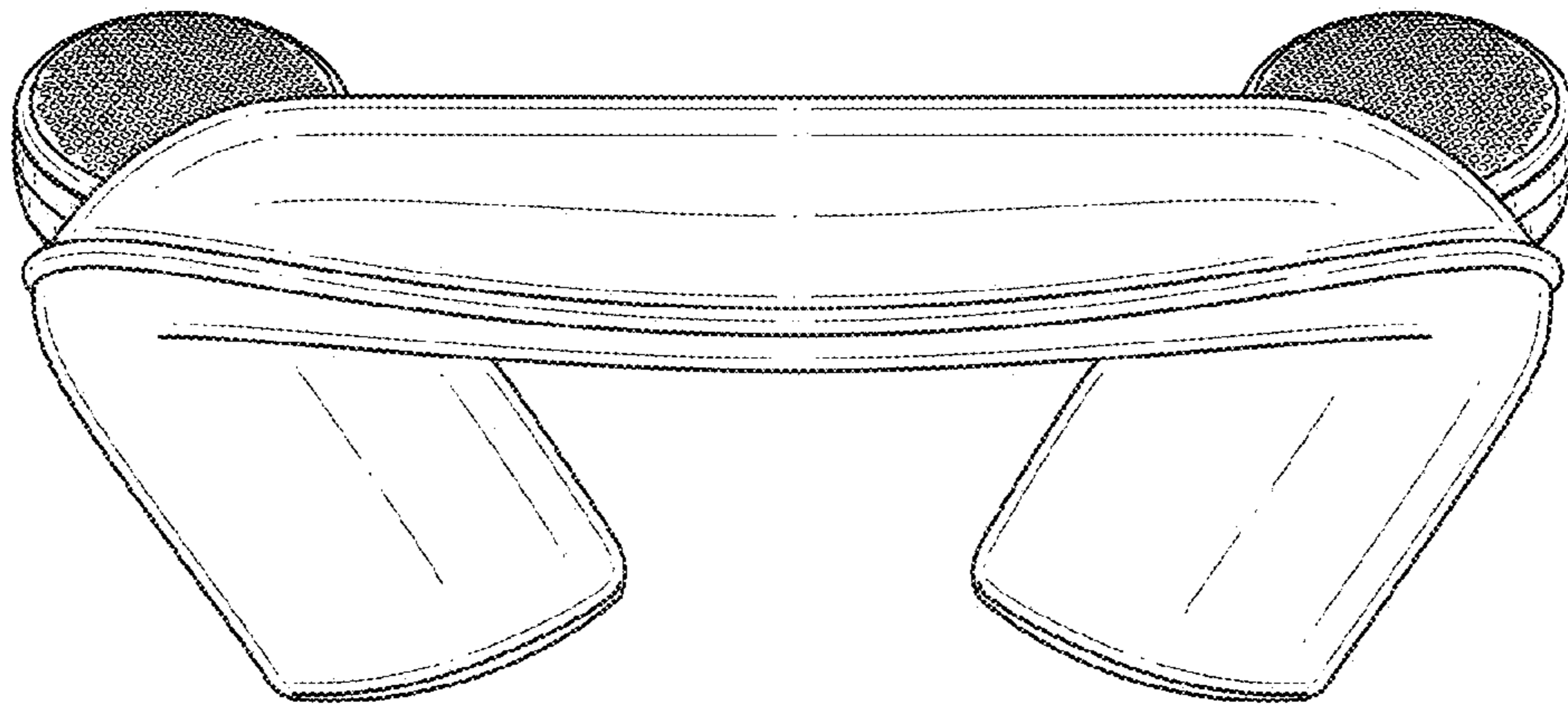


FIG. 4

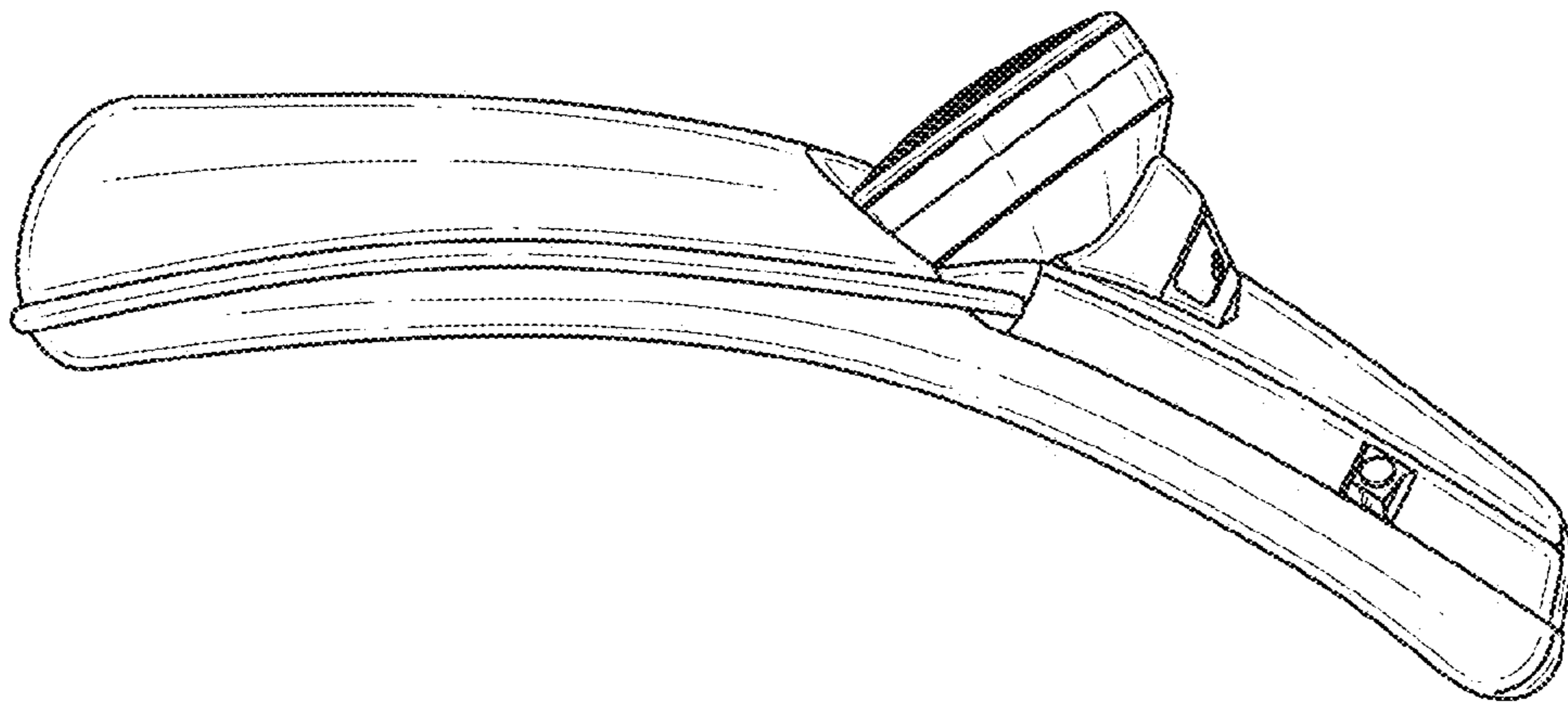


FIG. 5

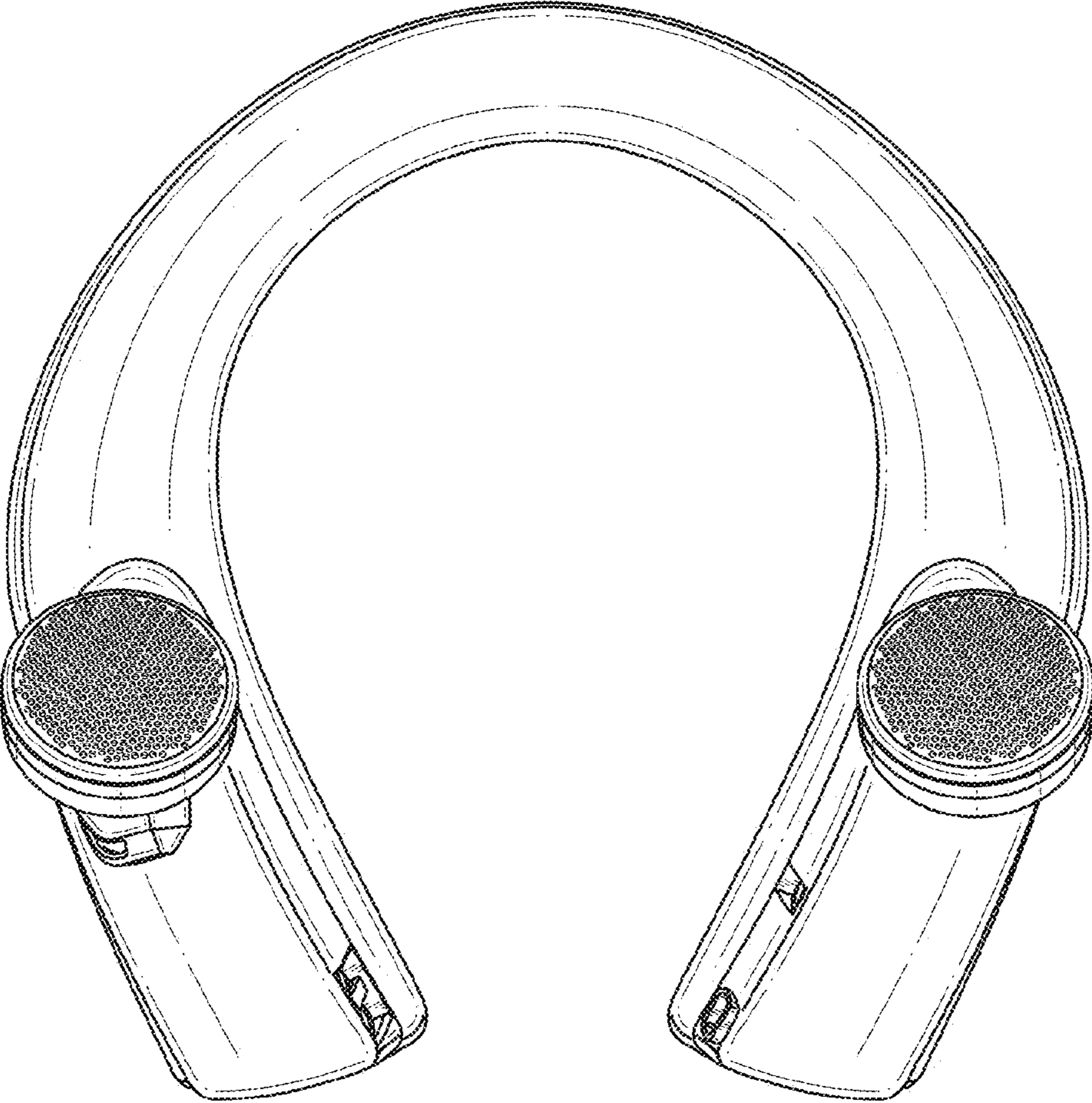


FIG. 6

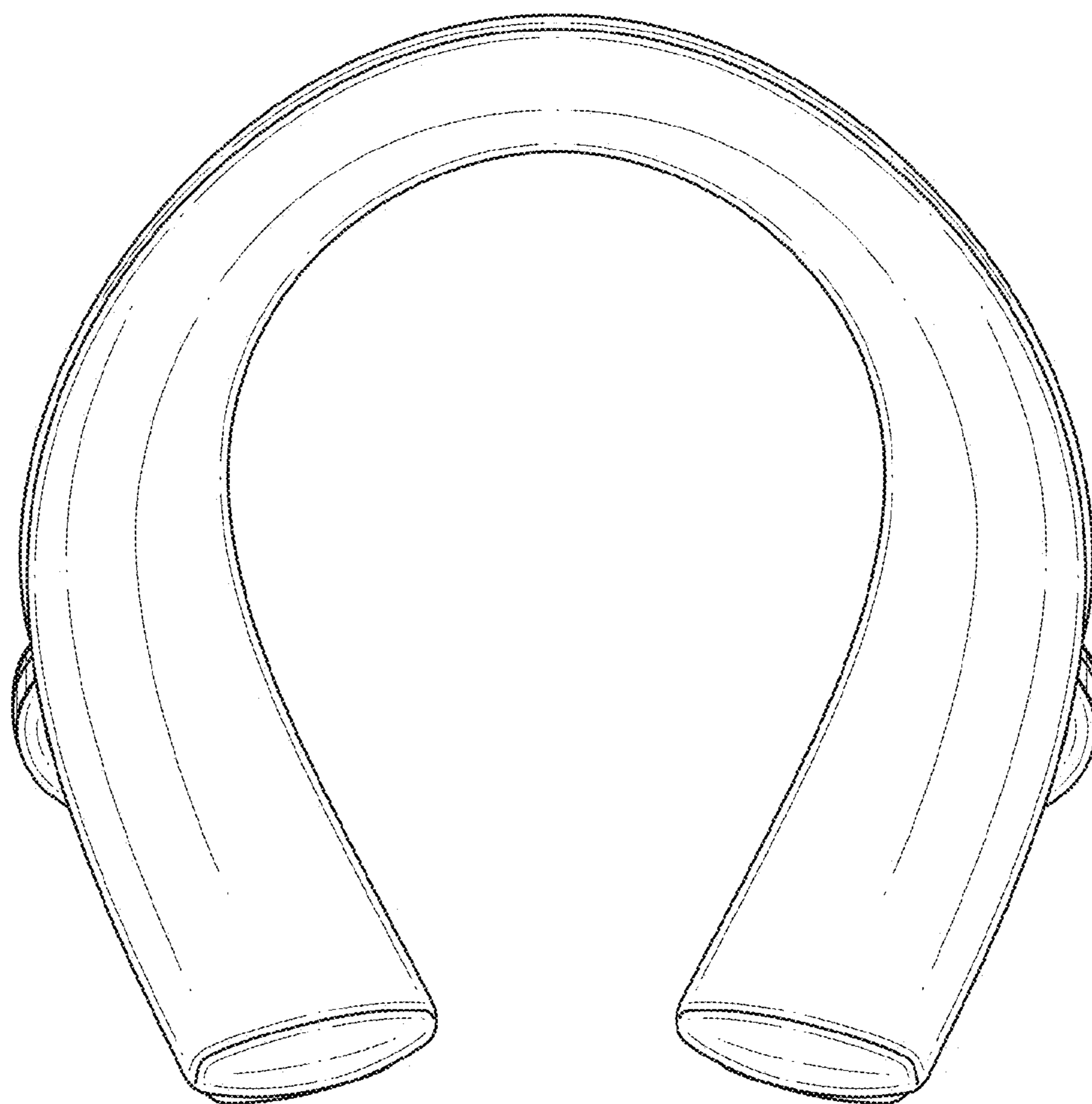


FIG. 7