



US00D736739S

(12) **United States Design Patent**
Son et al.

(10) **Patent No.:** **US D736,739 S**
(45) **Date of Patent:** **** Aug. 18, 2015**

(54) **SPEAKER**

(56) **References Cited**

(71) Applicant: **SAMSUNG ELECTRONICS CO., LTD.**, Suwon-si, Gyeonggi-do (KR)

U.S. PATENT DOCUMENTS

(72) Inventors: **Chae Ju Son**, Seoul (KR); **Byungmin Woo**, Buchun-si (KR)

D347,225 S *	5/1994	Lowy et al.	D14/211
D385,880 S *	11/1997	Oba	D14/172
D424,059 S *	5/2000	Coleman	D14/215
D466,885 S *	12/2002	MacFarlane et al.	D14/204
D519,104 S *	4/2006	Richter	D14/207
D560,493 S *	1/2008	Katsuyama	D9/431
D580,411 S *	11/2008	Omori et al.	D14/215

(73) Assignee: **SAMSUNG ELECTRONICS CO., LTD.** (KR)

* cited by examiner

(**) Term: **14 Years**

Primary Examiner — Derrick Holland

(21) Appl. No.: **29/470,070**

Assistant Examiner — Janice Lim

(22) Filed: **Oct. 17, 2013**

(74) *Attorney, Agent, or Firm* — Cantor Colburn LLP

(30) **Foreign Application Priority Data**

(57) **CLAIM**

The ornamental design for a speaker, as shown and described.

Apr. 17, 2013 (KR) 30-2013-0020166

(51) **LOC (10) Cl.** **14-01**

(52) **U.S. Cl.**
USPC **D14/204**

(58) **Field of Classification Search**
USPC D9/414, 430-433; D14/203.1, 204, D14/207, 209.1, 210-216, 221, 222, 224, D14/414, 430-433; 381/300, 332, 334, 336, 381/345, 361-363, 386, 387
CPC H04B 1/08; A04R 1/02; H04R 5/02; H04R 25/25; H04R 25/60; H04R 25/65
See application file for complete search history.

DESCRIPTION

FIG. 1 is a front perspective view of a speaker showing our new design;

FIG. 2 is a front view thereof;

FIG. 3 is a rear view thereof;

FIG. 4 is a left-side view thereof;

FIG. 5 is a right-side view thereof;

FIG. 6 is a top view thereof; and,

FIG. 7 is a bottom view thereof.

The broken line portions of FIGS. 1-7 are included to show unclaimed subject matter only and form no part of the claimed design.

1 Claim, 7 Drawing Sheets

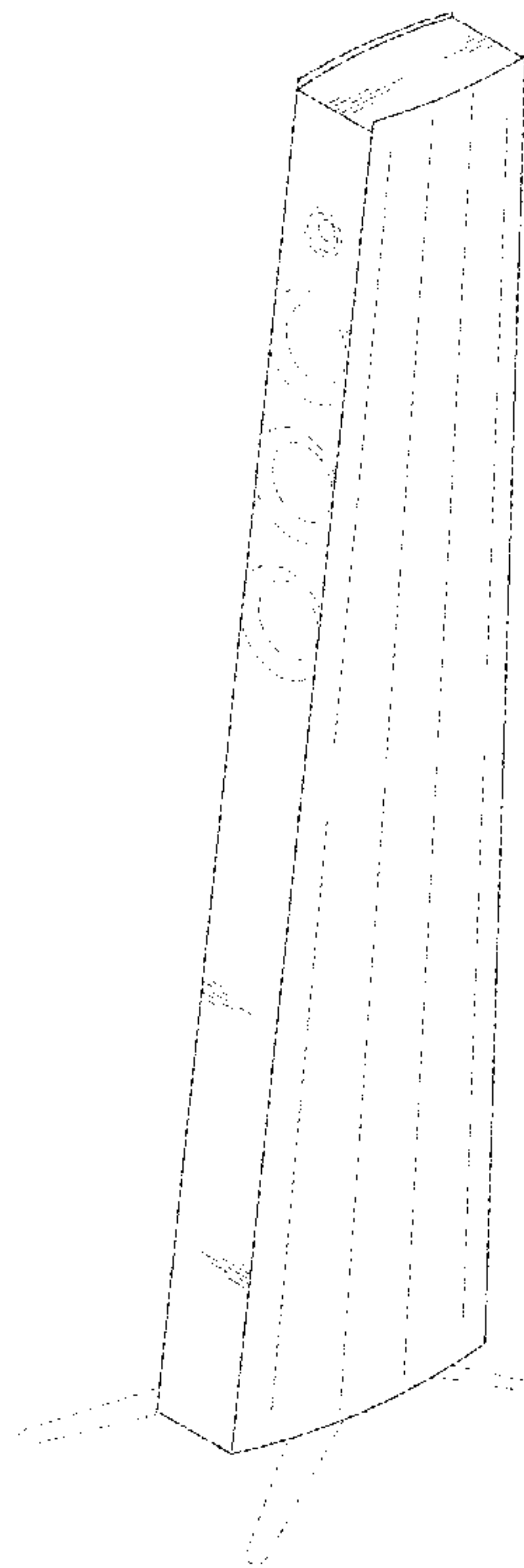


FIG. 1

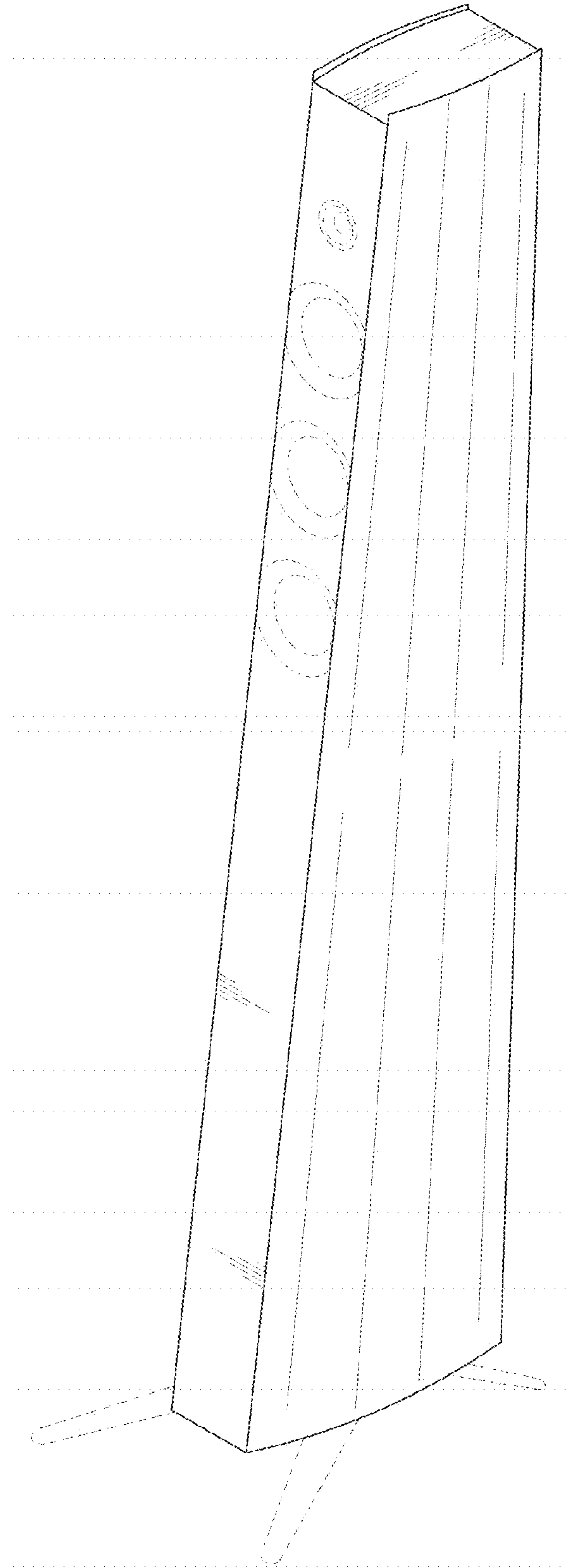


FIG. 2

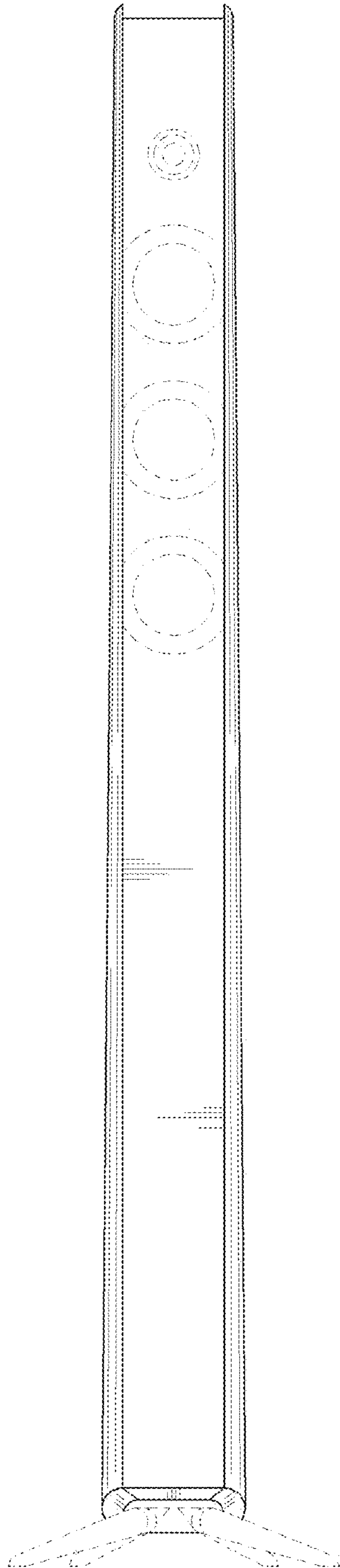


FIG. 3

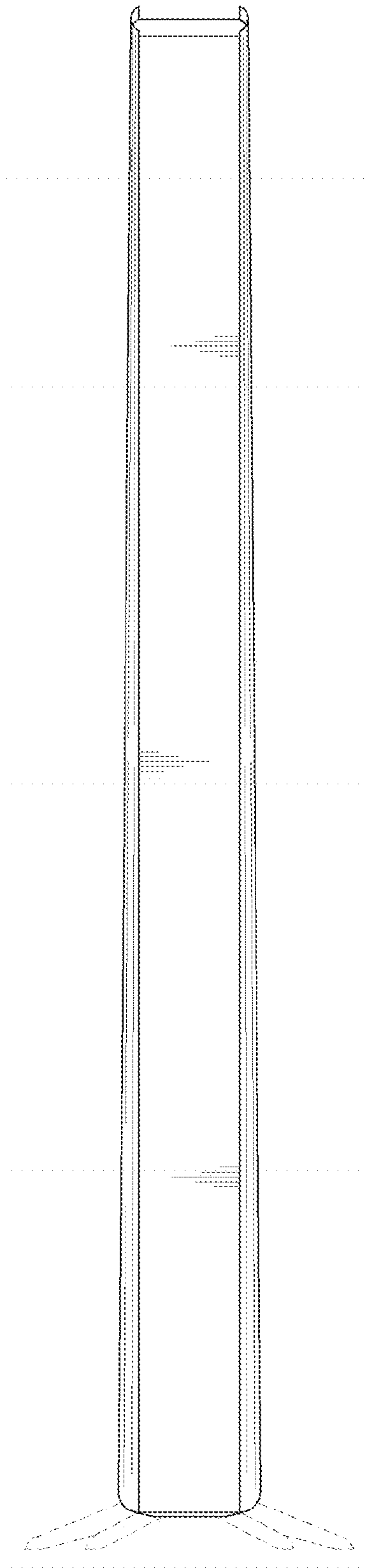


FIG. 4

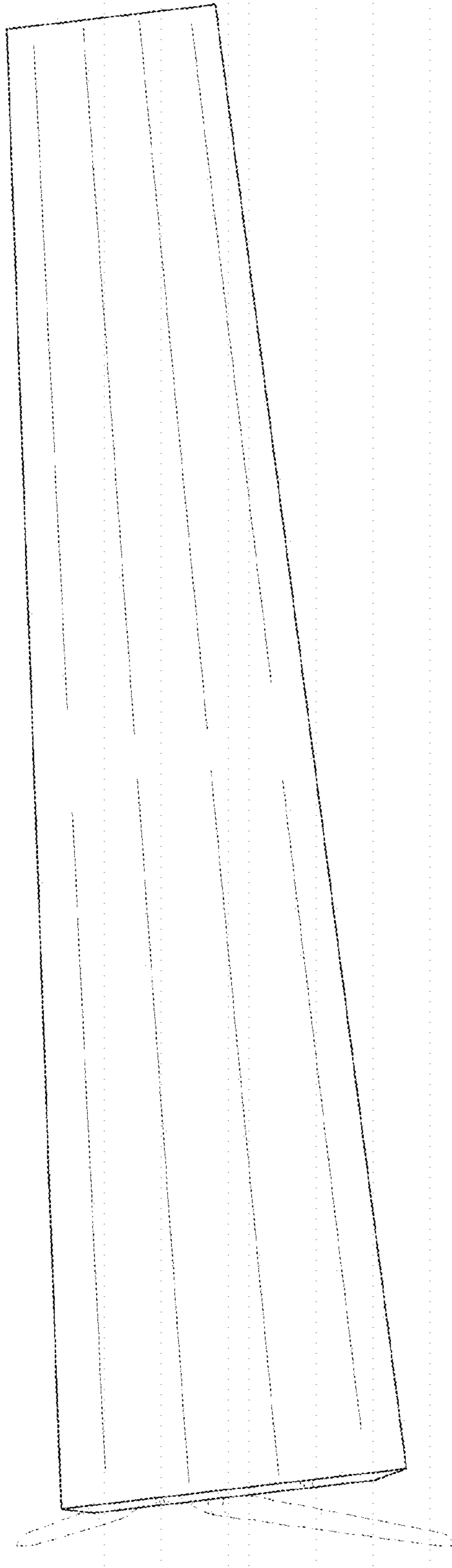


FIG. 5

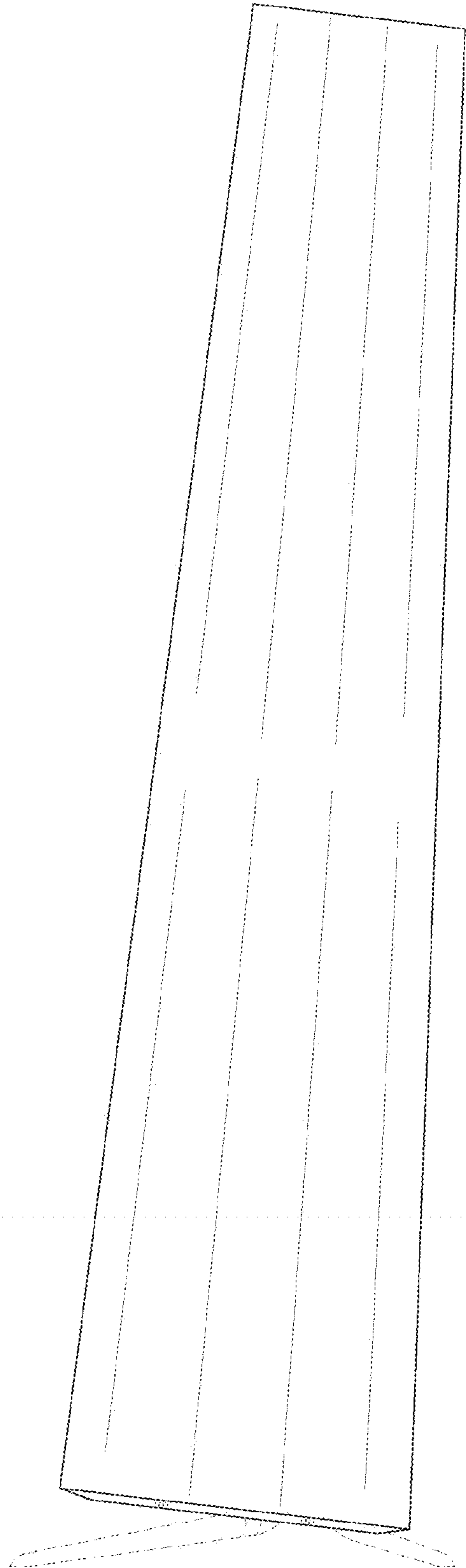


FIG. 6

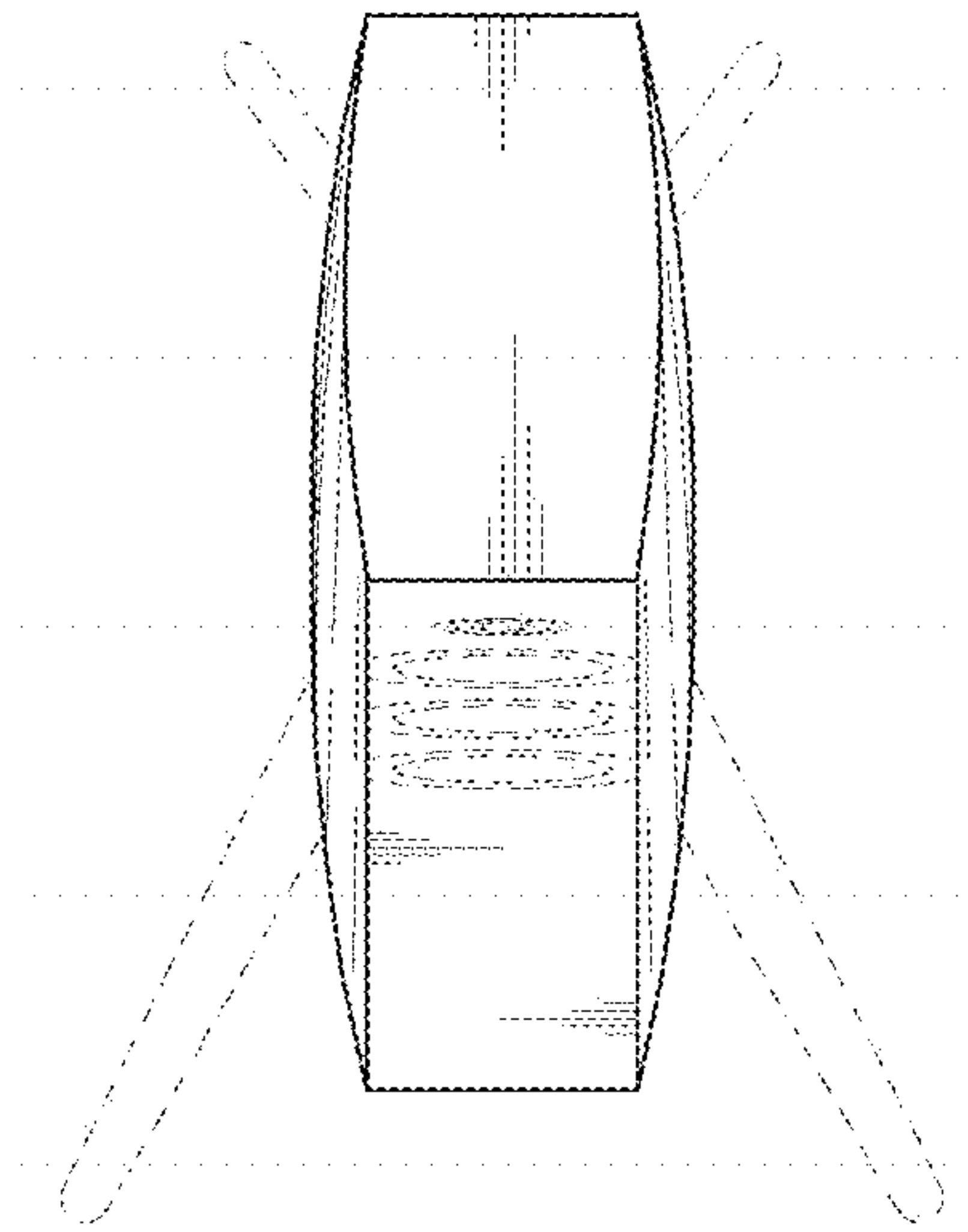


FIG. 7

