



US00D736733S

(12) **United States Design Patent**
David et al.

(10) **Patent No.:** **US D736,733 S**
(45) **Date of Patent:** **** Aug. 18, 2015**

- (54) **FOUR SCREEN TELEVISION**
- (71) Applicant: **Dynamic Systems Limited**, Kingstown (VC)
- (72) Inventors: **Alki Andrew David**, Beverly Hills, CA (US); **James Lamar Jacobs**, Poway, CA (US)
- (**) Term: **14 Years**
- (21) Appl. No.: **29/499,278**
- (22) Filed: **Aug. 13, 2014**
- (51) **LOC (10) Cl.** **14-03**
- (52) **U.S. Cl.**
USPC **D14/126**
- (58) **Field of Classification Search**
USPC D14/125–134, 239, 371, 136, 374–377, D14/440, 450, 448, 336, 342, 159; 312/7.2; 348/836, 838, 180, 184, 325, 739; 248/917–924, 465; 345/104, 133, 156, 345/168, 87, 173; D21/329, 515, 577, 622, D21/333, 433, 448, 452, 450, 331, 505; D10/15, 26; 446/484, 175, 356; D6/477, 479, 300; D24/185; D34/14
CPC ... G06F 1/1601; G06F 1/1643; H05K 5/0004; H05K 5/0017; H05K 5/02; H05K 5/0217
See application file for complete search history.

(56) **References Cited**

U.S. PATENT DOCUMENTS

3,727,000	A	*	4/1973	Lollos	348/840
D311,003	S	*	10/1990	Isonaga	D14/126
D315,556	S	*	3/1991	Lim	D14/126
D328,742	S	*	8/1992	Kennedy	D14/133
D342,514	S	*	12/1993	Gilmore	D14/133
5,865,519	A		2/1999	Maass		
D415,736	S	*	10/1999	Witte	D14/307
D544,848	S	*	6/2007	Marz et al.	D14/126

D565,527	S	*	4/2008	Riggs	D14/129
7,883,212	B2		2/2011	O'Connell et al.		
8,034,263	B2		10/2011	Maass		
2012/0002288	A1		1/2012	Maass		

OTHER PUBLICATIONS

Hologram USA. <http://www.hologramusa.com/products-services/mobile-hologram-displays>. Publication date unknown. Accessed Dec. 15, 2014.

Cohen, David S. 3D TV: Not Dead Yet, and Getting Better. *Variety*, Jan. 14, 2014. Accessed Dec. 15, 2014.

Wikipedia. Autostereoscopy. <http://web.archive.org/web/20140721201721/http://en.wikipedia.org/wiki/Autostereoscopy>. Published Jul. 21, 2014. Accessed Dec. 15, 2014.

Amazon.com: How Does 3D TV Work? <http://web.archive.org/web/20140805224120/http://www.amazon.com/gp/feature.html?ie=UTF8&docId=1000492751>. Published Aug. 5, 2014. Accessed Dec. 15, 2014.

(Continued)

Primary Examiner — Raphael Barkai
(74) *Attorney, Agent, or Firm* — Dinsmore & Shohl LLP

(57) **CLAIM**

The ornamental designs for a four screen television, as shown and described.

DESCRIPTION

The present specification cross-references U.S. Design patent application Ser. No. 29/499,280, filed on Aug. 13, 2014 and entitled "Single Screen Television With Transparent Sides and Back."

FIG. 1 is a first view showing a top side view.

FIG. 2 is a front view.

FIG. 3 is an isometric view displaying two sides.

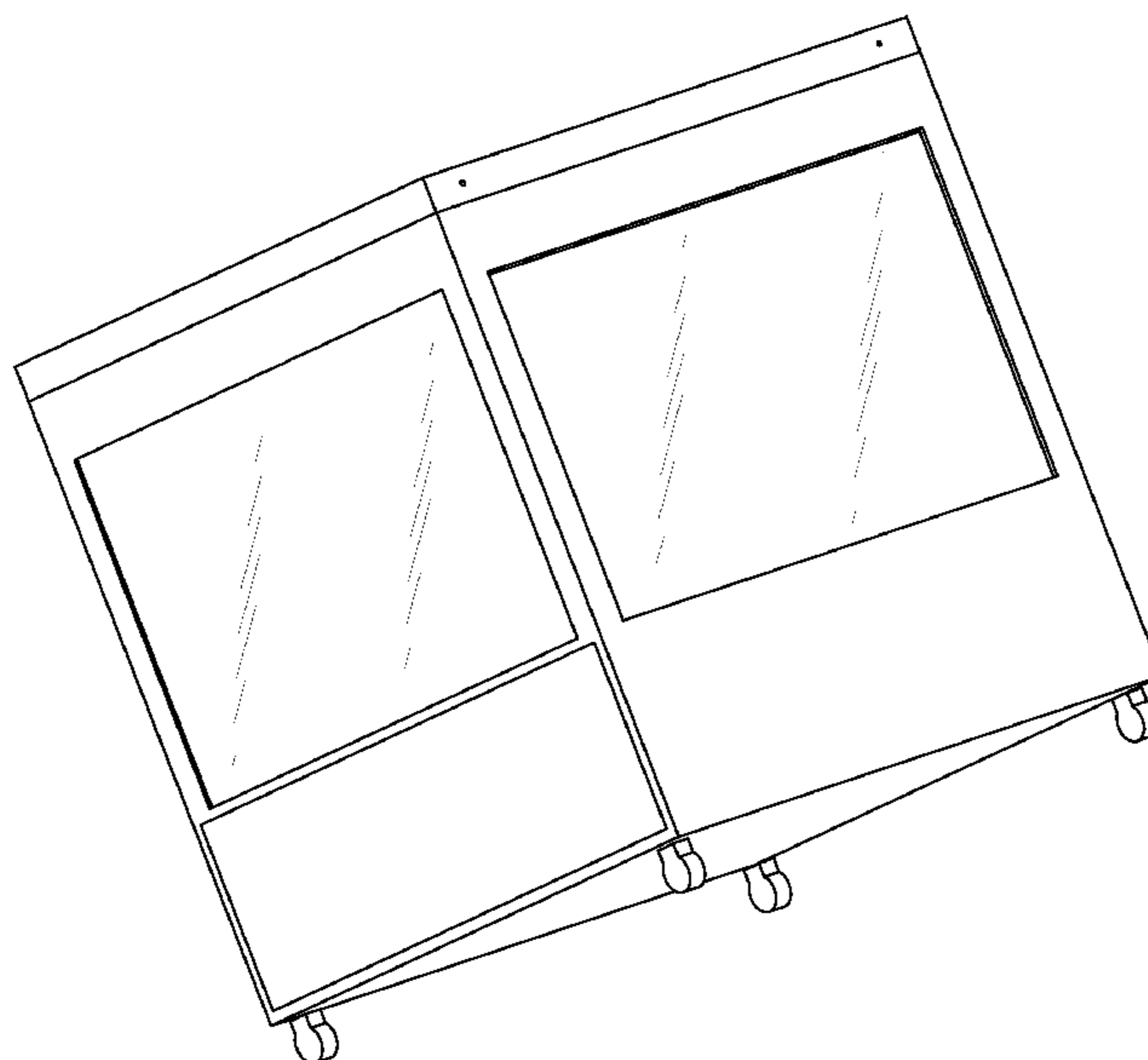
FIG. 4 is a left side view.

FIG. 5 is a rear view; and,

FIG. 6 is a right side view.

The device is not limited to the scale shown herein.

1 Claim, 6 Drawing Sheets



(56)

References Cited

OTHER PUBLICATIONS

Wikipedia. Pepper's Ghost. http://web.archive.org/web/20140802140724/http://en.wikipedia.org/wiki/Pepper%27s_ghost. Published Aug. 2, 2014. Accessed Dec. 15, 2014.

NChant3D. <http://web.archive.org/web/20140517170752/http://nchant3d.com>. Published May 17, 2014. Accessed Dec. 16, 2014.

Musion. <http://web.archive.org/web/20140728215629/http://musion.co.uk>. Published Jul. 28, 2014. Accessed Dec. 16, 2014.

* cited by examiner

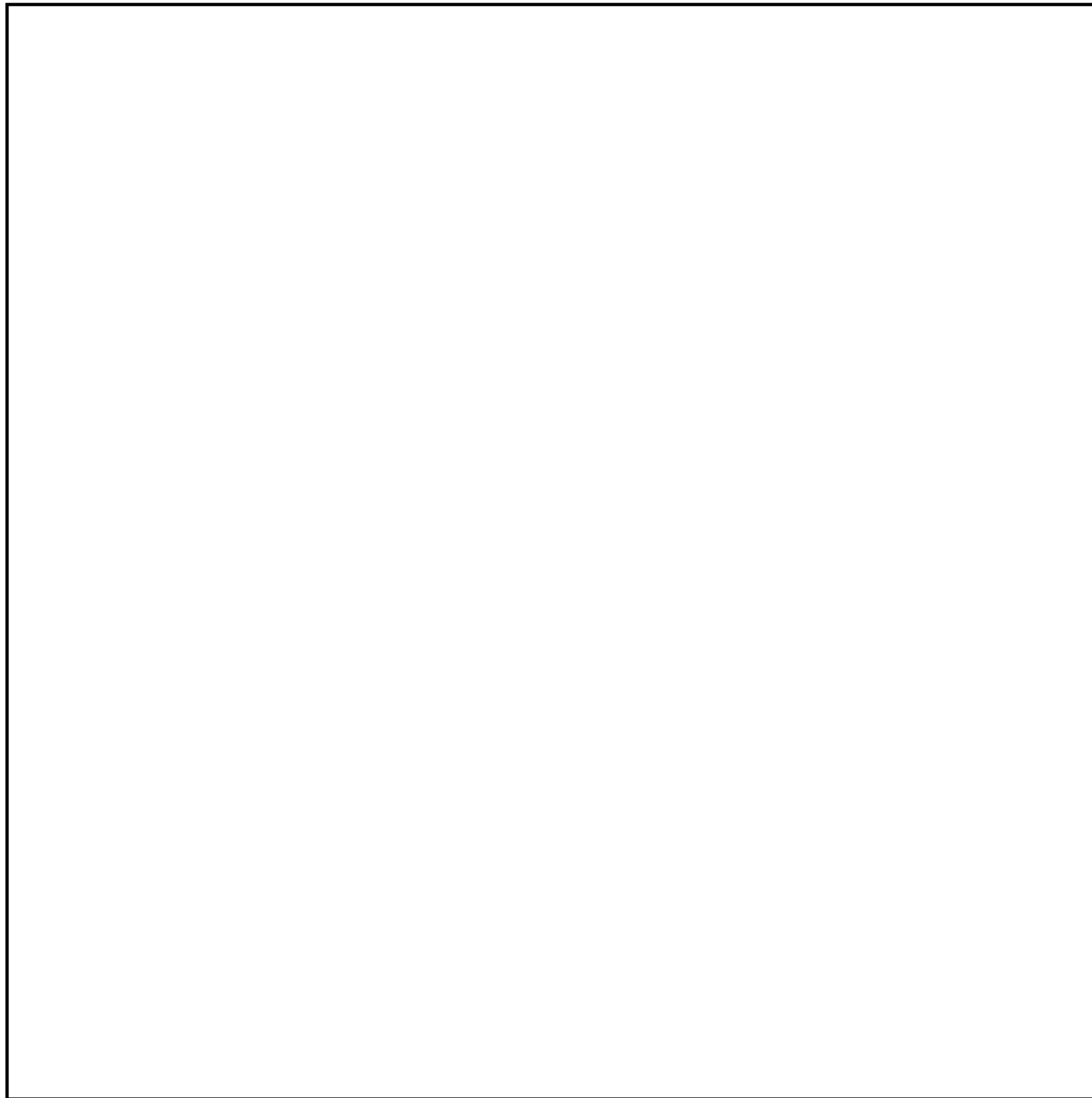


FIG. 1

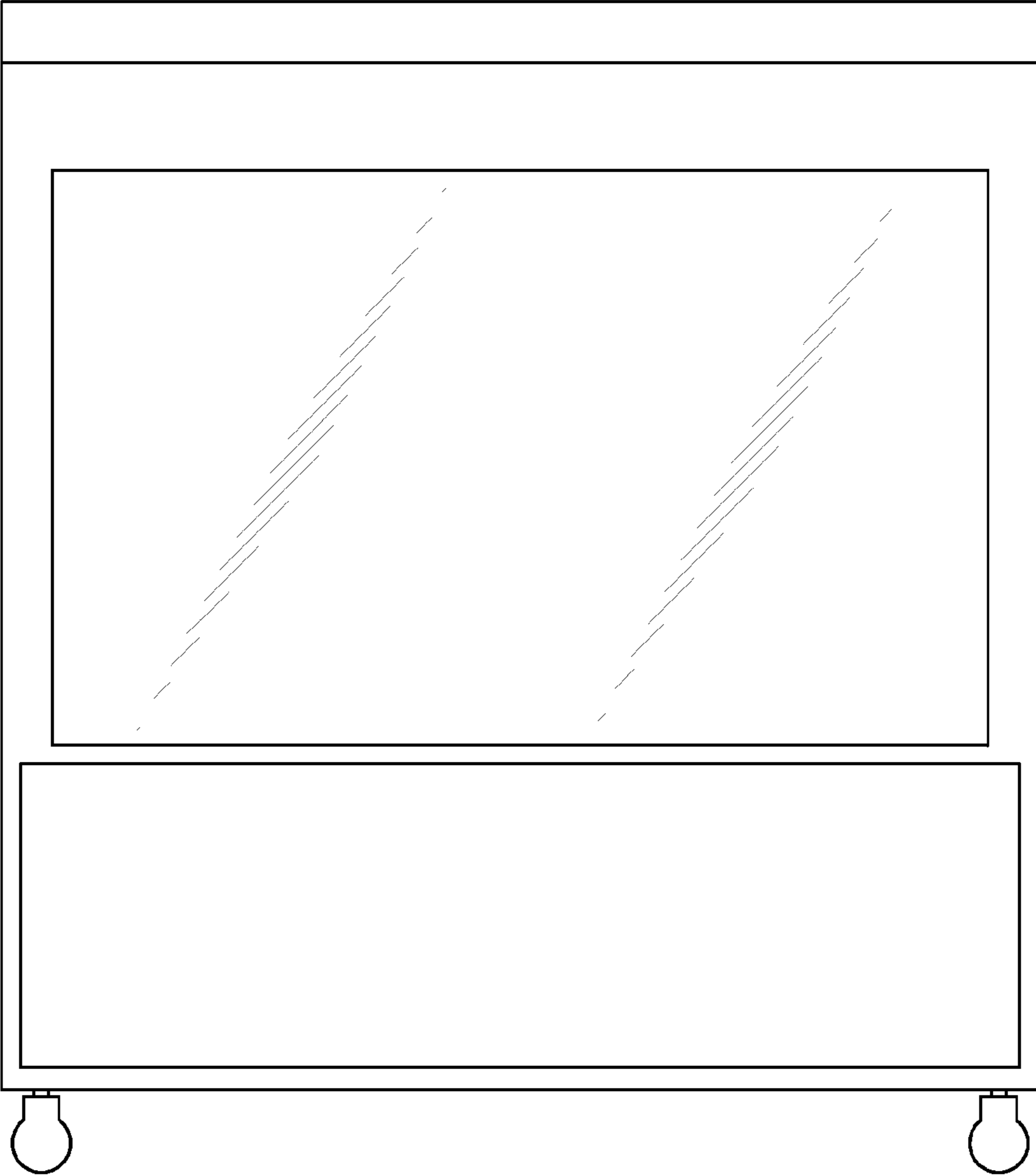


FIG. 2

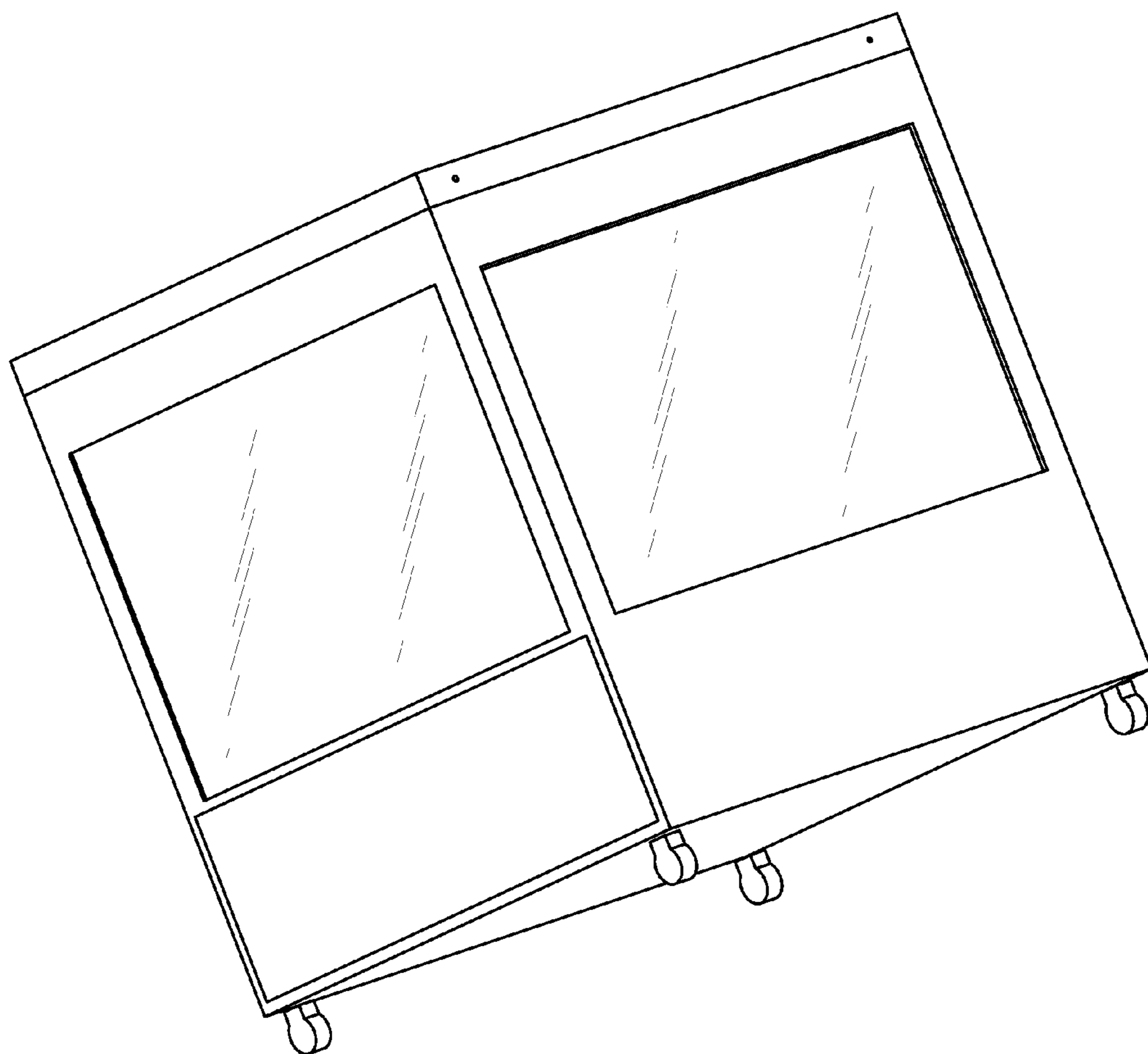


FIG. 3

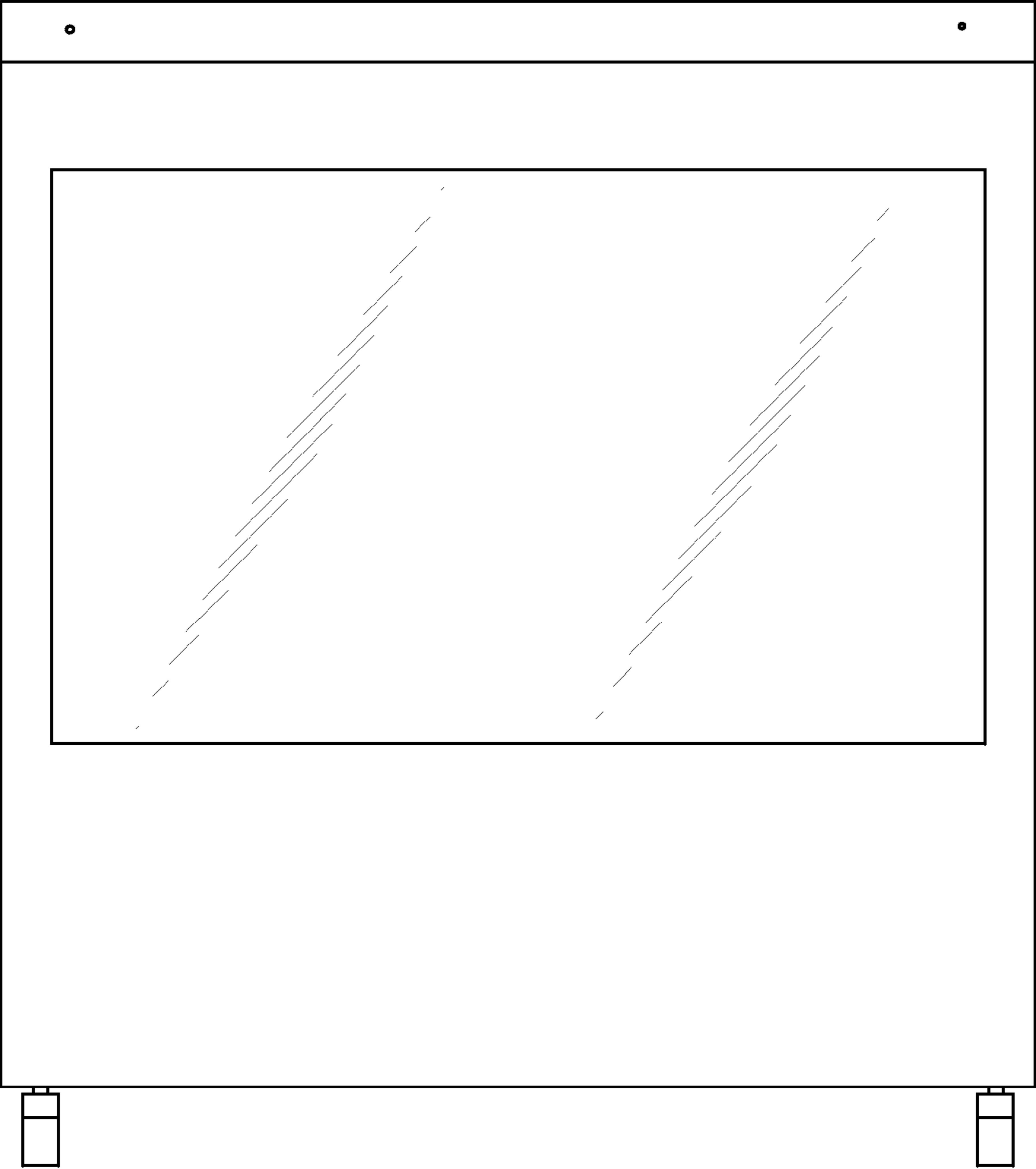


FIG. 4

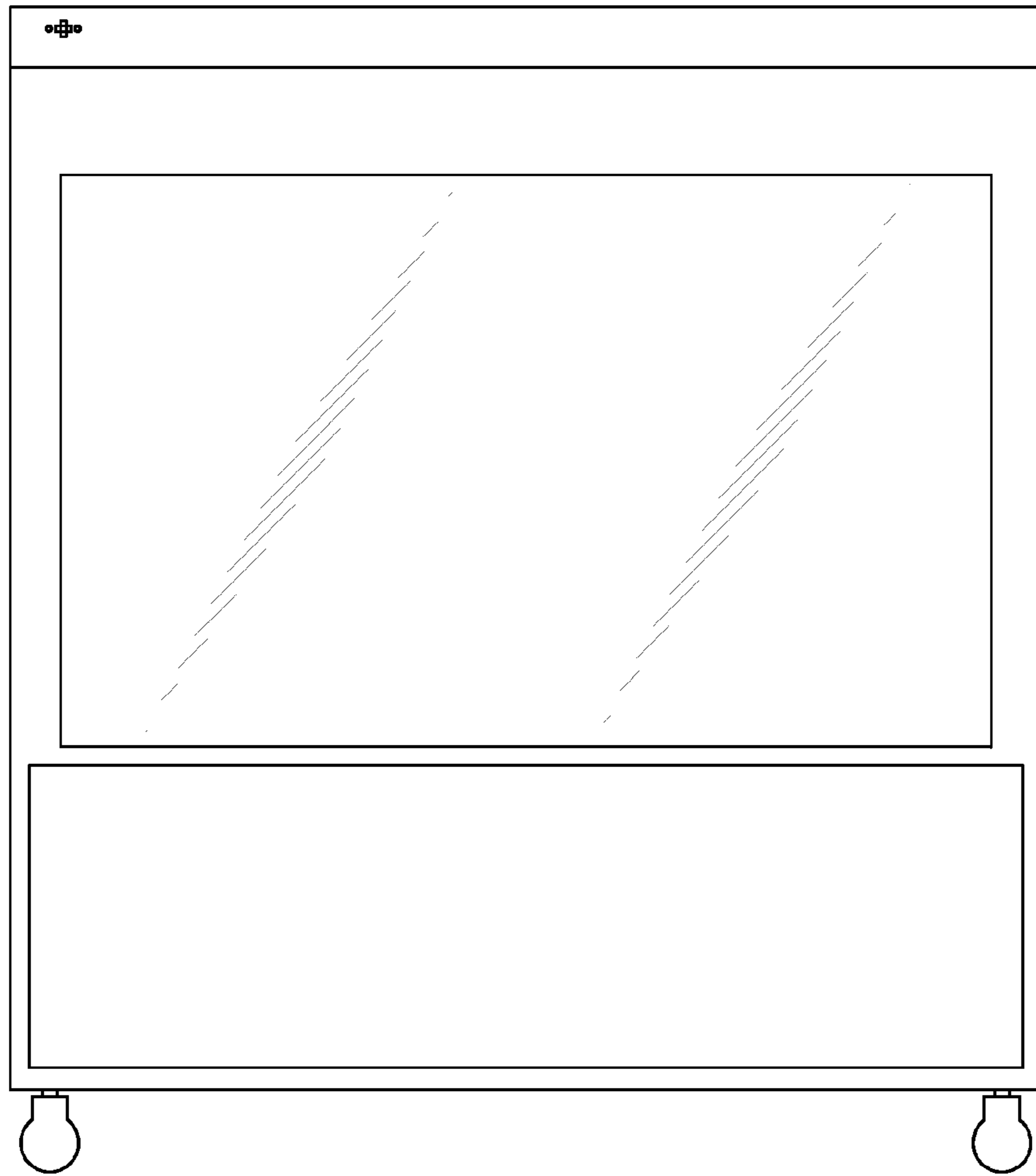


FIG. 5

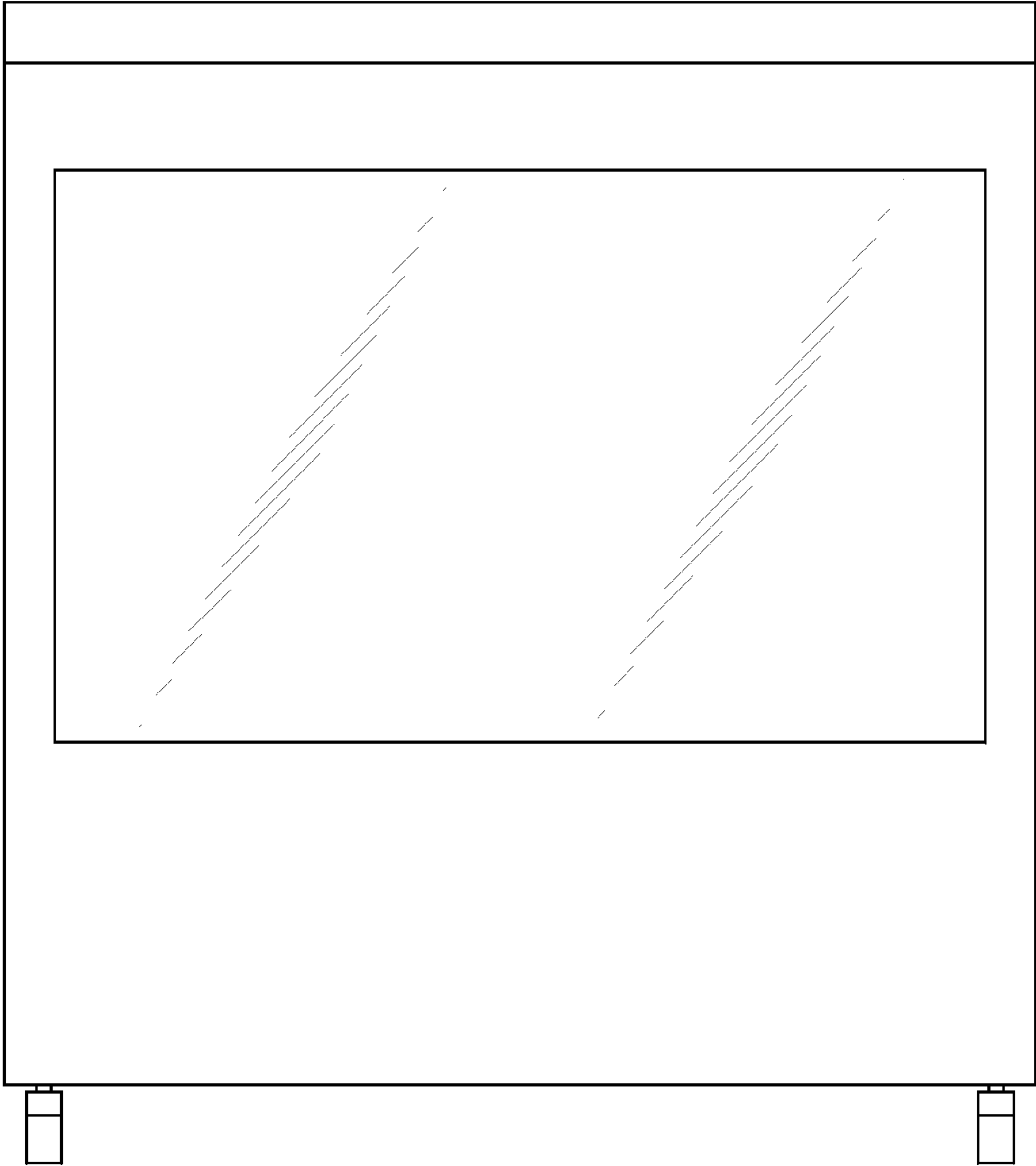


FIG. 6