



US00D736730S

(12) **United States Design Patent**
Hong

(10) **Patent No.:** **US D736,730 S**

(45) **Date of Patent:** **** Aug. 18, 2015**

(54) **TELEVISION RECEIVER**

(56) **References Cited**

(71) Applicant: **LG Electronics Inc.**, Seoul (KR)

U.S. PATENT DOCUMENTS

(72) Inventor: **Hye Young Hong**, Seoul (KR)

D508,055 S *	8/2005	Lo	D14/451
D661,269 S *	6/2012	Lee et al.	D14/126
D671,513 S *	11/2012	Jang et al.	D14/126
D678,853 S *	3/2013	Kim et al.	D14/126
D683,710 S *	6/2013	Jeon et al.	D14/126
D684,132 S *	6/2013	Lee et al.	D14/126
D690,675 S *	10/2013	Kim et al.	D14/126
D691,977 S *	10/2013	Lee et al.	D14/126
D701,188 S *	3/2014	Lee	D14/126
D705,185 S *	5/2014	Jeon et al.	D14/126
D724,555 S *	3/2015	Cha et al.	D14/126

(73) Assignee: **LG Electronics Inc.**, Seoul (KR)

(**) Term: **14 Years**

(21) Appl. No.: **29/460,602**

(22) Filed: **Jul. 12, 2013**

* cited by examiner

(30) **Foreign Application Priority Data**

Jan. 24, 2013 (KR) 30-2013-0004257

Primary Examiner — Raphael Barkai

(51) **LOC (10) Cl.** **14-03**

(74) *Attorney, Agent, or Firm* — Morgan, Lewis & Bockius LLP

(52) **U.S. Cl.**
USPC **D14/126**

(57) **CLAIM**

I claim the ornamental design for a television receiver, as shown and described.

(58) **Field of Classification Search**
USPC D14/125–134, 239, 371, 136, 374–377,
D14/440, 450, 448, 336, 342, 159; 312/7.2;
348/836, 838, 180, 184, 325, 739;
248/917–924, 465; 345/104, 133, 156,
345/168, 87, 173; D21/329, 515, 577, 622,
D21/333, 433, 448, 452, 450, 331, 505;
D10/15, 26; 446/484, 175, 356;
D6/477, 479, 300; D24/185; D34/14

DESCRIPTION

FIG. 1 is a perspective view of a television receiver showing the new design;

FIG. 2 is a front elevation view thereof;

FIG. 3 is a rear elevation view thereof;

FIG. 4 is a left-side elevation view thereof;

FIG. 5 is a right-side elevation view thereof;

FIG. 6 is a top plan view thereof; and,

FIG. 7 is a bottom plan view thereof.

CPC ... G06F 1/1601; G06F 1/1643; H05K 5/0004;
H05K 5/0017; H05K 5/02; H05K 5/0217

See application file for complete search history.

1 Claim, 4 Drawing Sheets

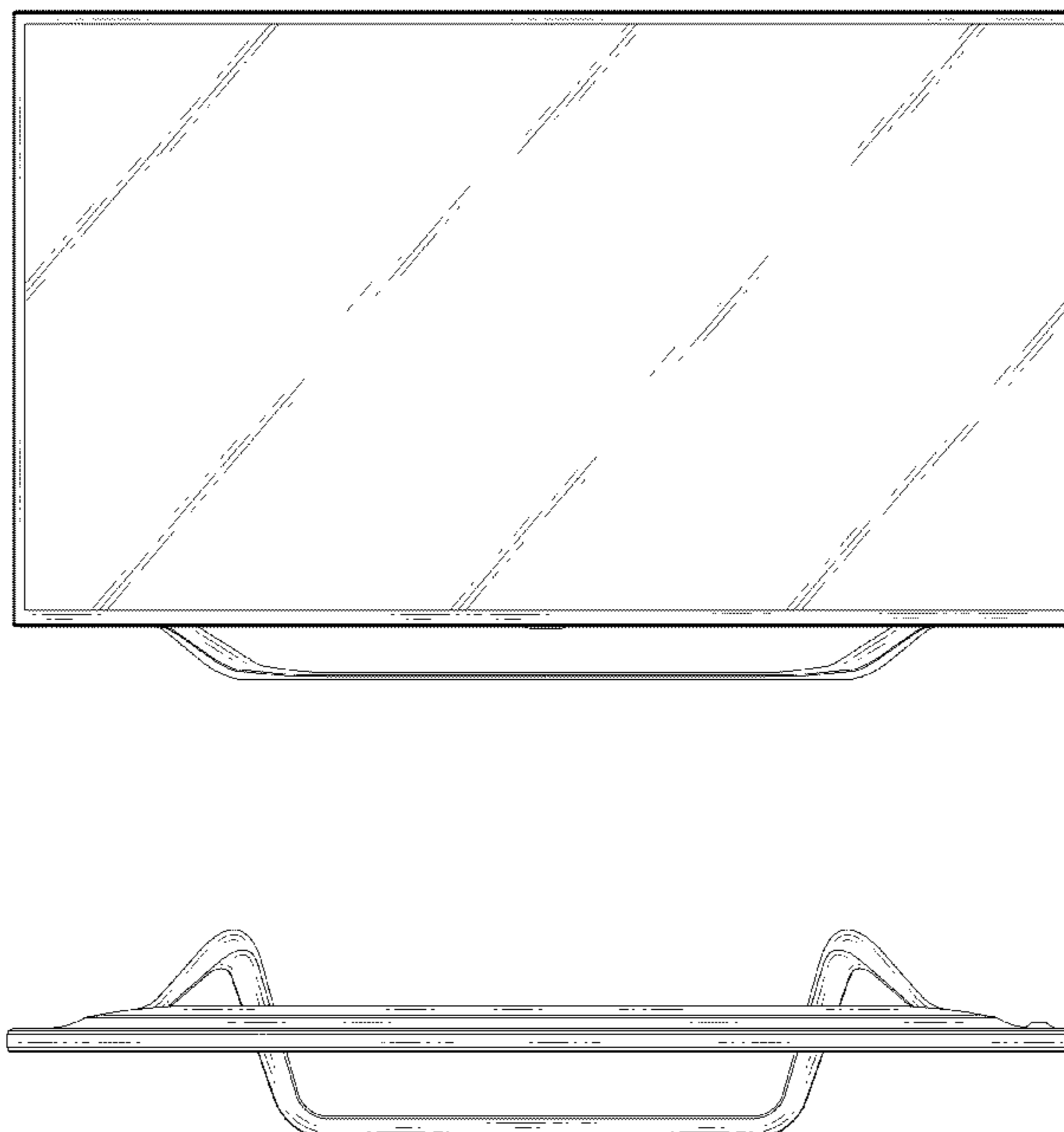


FIG. 1

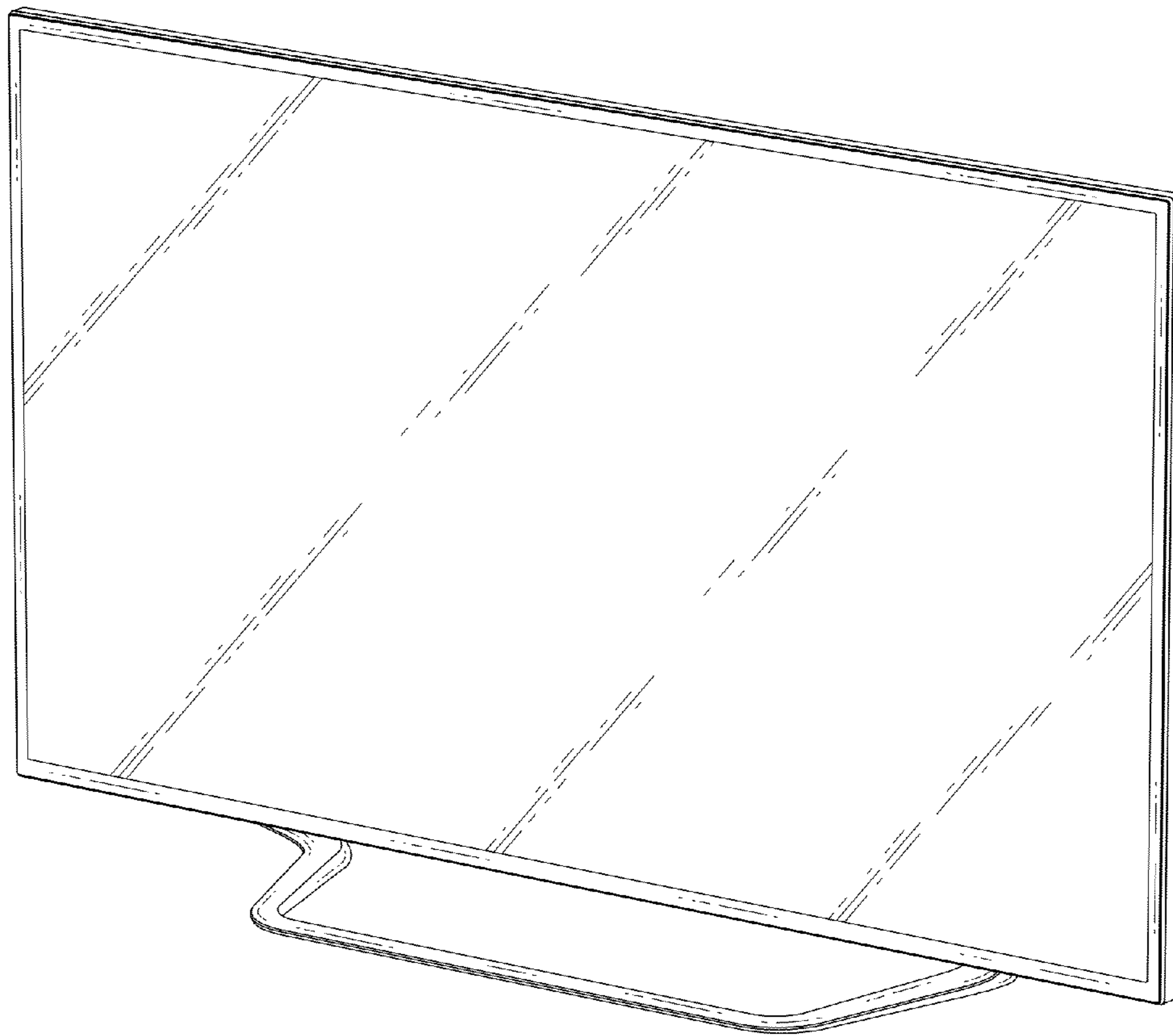


FIG. 2

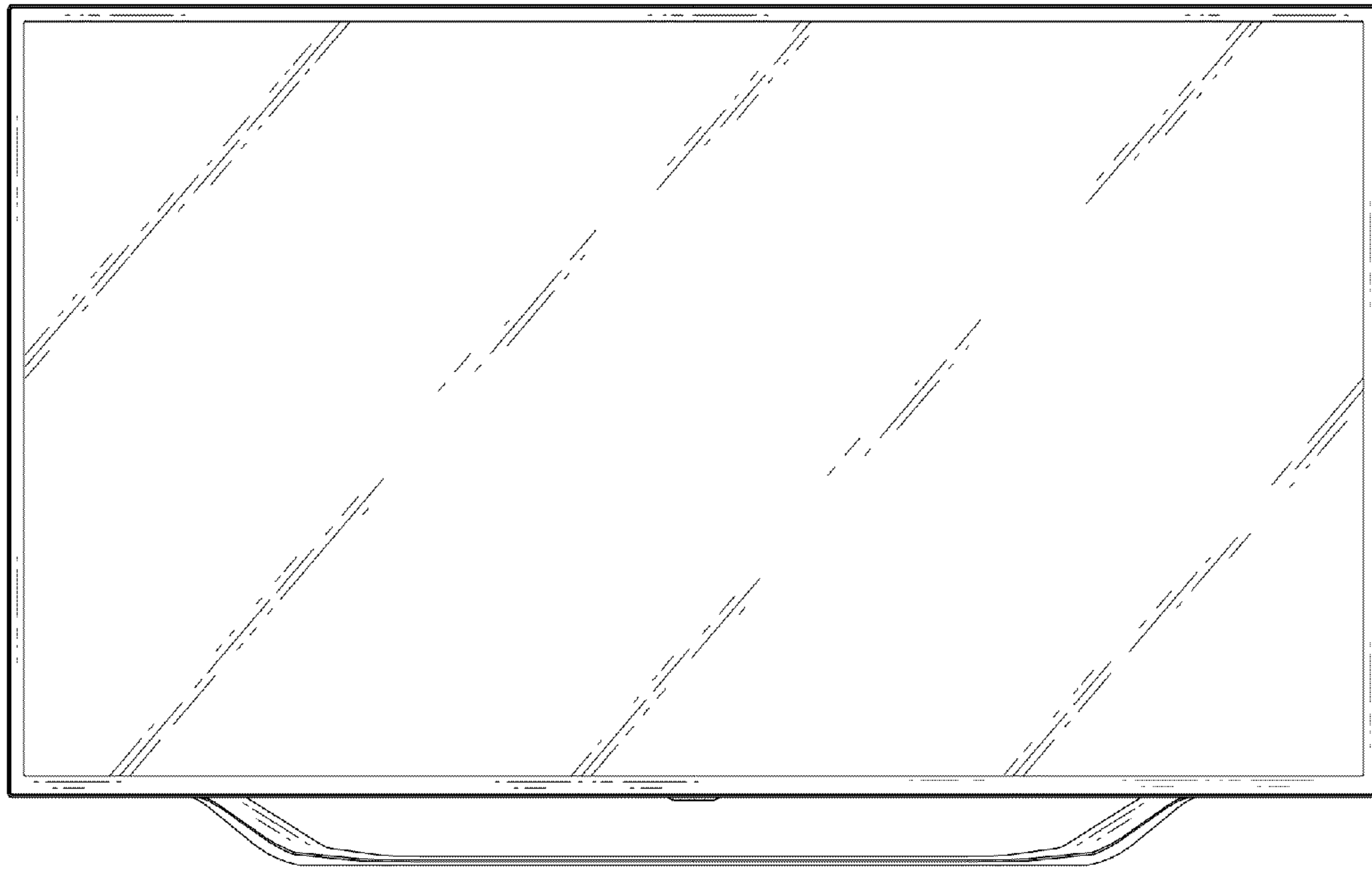


FIG. 3

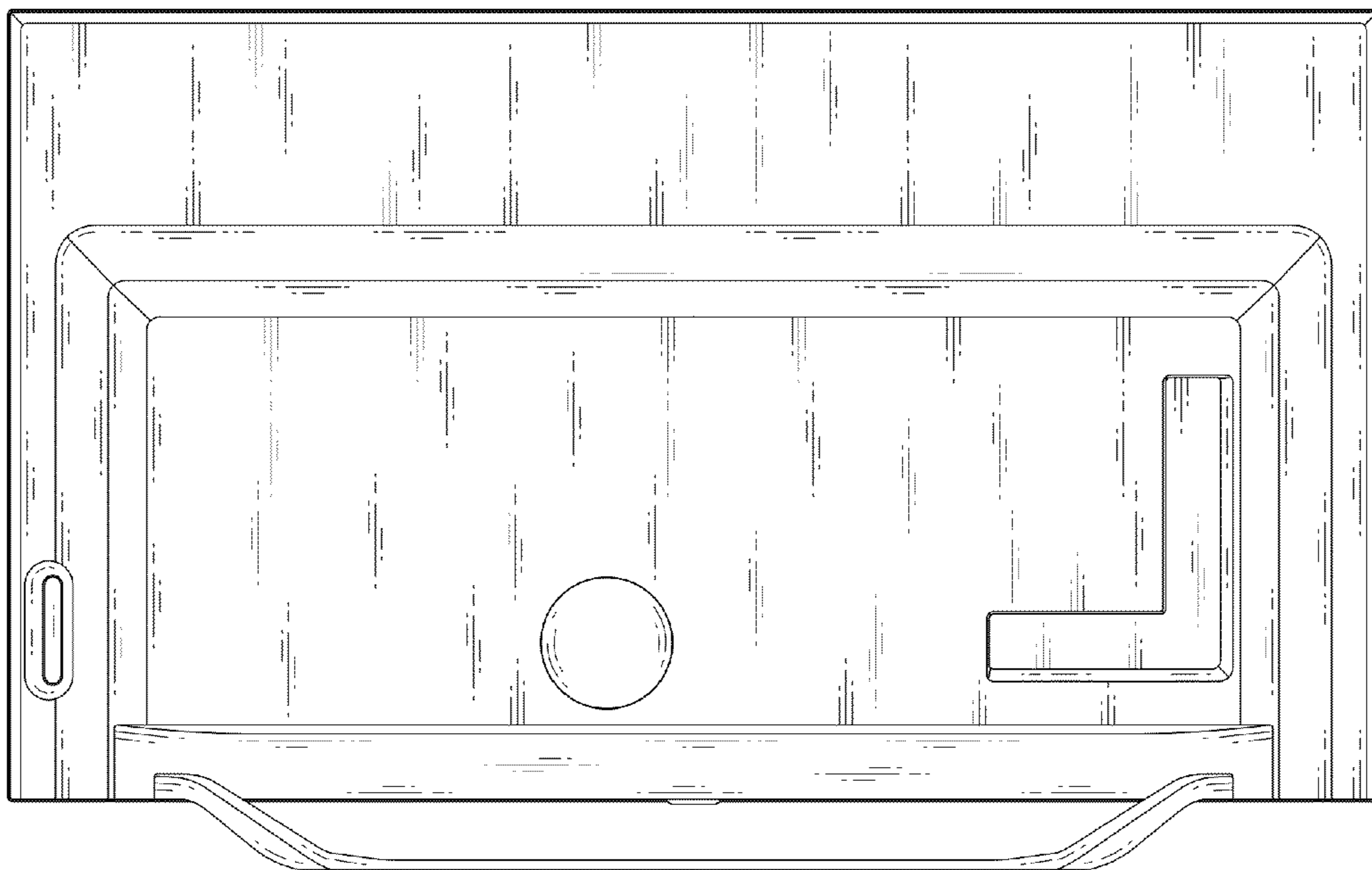


FIG. 4

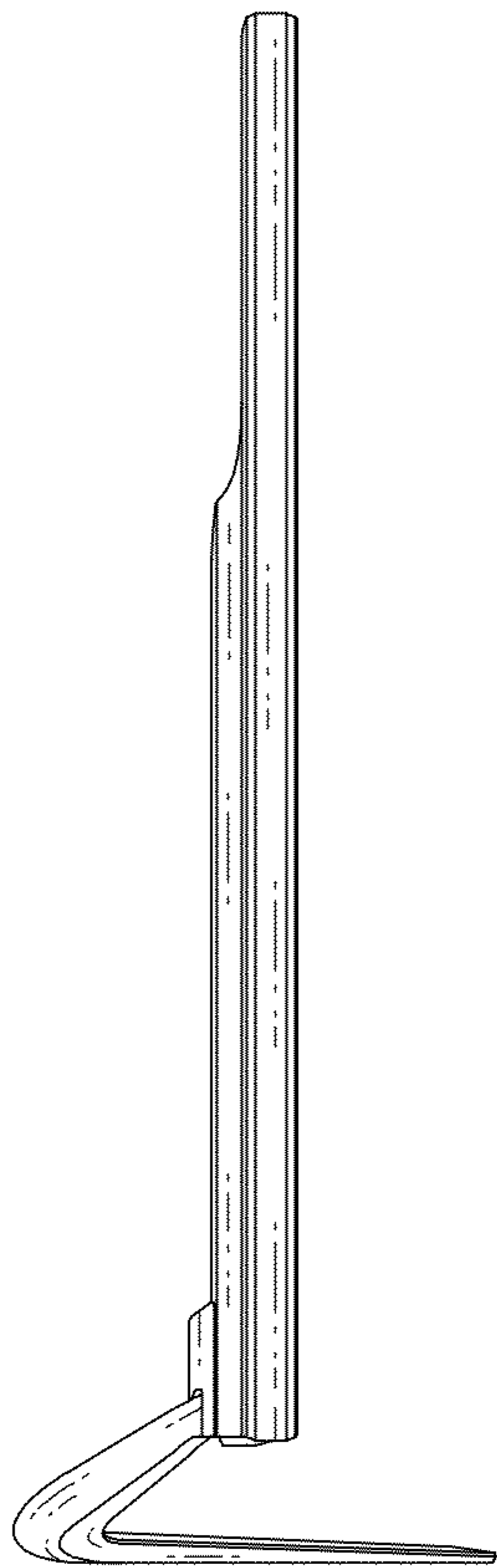


FIG. 5

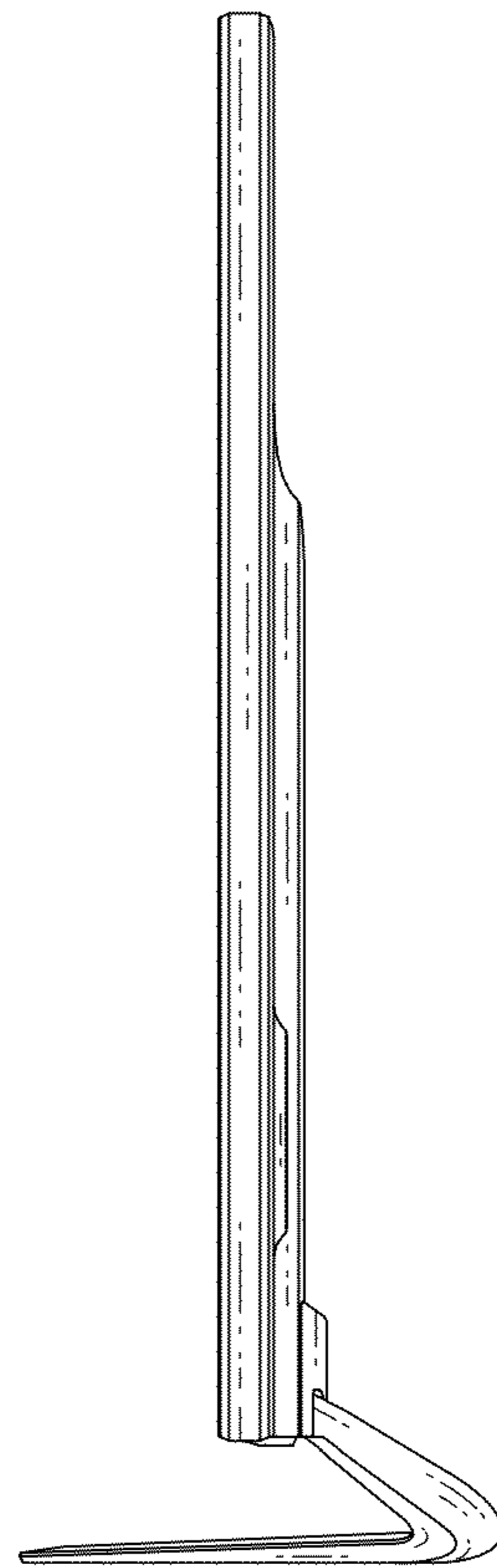


FIG. 6

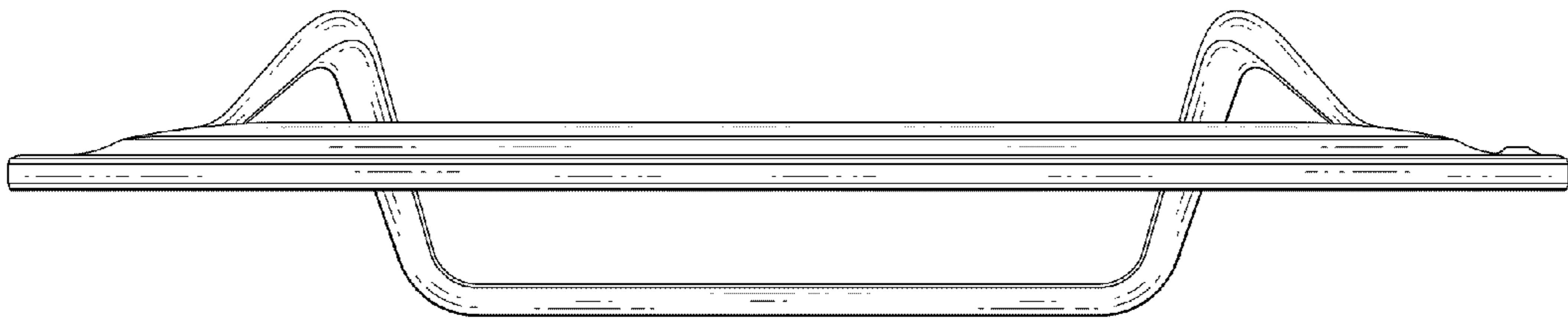


FIG. 7

