

US00D736729S

(12) **United States Design Patent**  
**Hwang**

(10) **Patent No.:** **US D736,729 S**

(45) **Date of Patent:** **\*\* Aug. 18, 2015**

(54) **TELEVISION RECEIVER**

(71) Applicant: **LG Electronics Inc.**, Seoul (KR)

(72) Inventor: **Yong Joon Hwang**, Seoul (KR)

(73) Assignee: **LG Electronics Inc.**, Seoul (KR)

(\*\*) Term: **14 Years**

(21) Appl. No.: **29/460,599**

(22) Filed: **Jul. 12, 2013**

(30) **Foreign Application Priority Data**

Jan. 18, 2013 (KR) ..... 30-2013-0003178

(51) **LOC (10) Cl.** ..... **14-03**

(52) **U.S. Cl.**  
USPC ..... **D14/126**

(58) **Field of Classification Search**  
USPC ..... D14/125-134, 239, 371, 136, 374-377,  
D14/440, 450, 448, 336, 342, 159; 312/7.2;  
348/836, 838, 180, 184, 325, 739;  
248/917-924, 465; 345/104, 133, 156,  
345/168, 87, 173; D21/329, 515, 577, 622,  
D21/333, 433, 448, 452, 450, 331, 505;  
D10/15, 26; 446/484, 175, 356;  
D6/477, 479, 300; D24/185; D34/14  
CPC ... G06F 1/1601; G06F 1/1643; H05K 5/0004;  
H05K 5/0017; H05K 5/02; H05K 5/0217  
See application file for complete search history.

(56) **References Cited**

U.S. PATENT DOCUMENTS

D642,148	S	*	7/2011	Kwon et al.	.....	D14/126
D643,003	S	*	8/2011	Ryu et al.	.....	D14/126
D661,273	S	*	6/2012	Chu	.....	D14/126
D676,816	S	*	2/2013	Kim et al.	.....	D14/126
D684,945	S	*	6/2013	Kang et al.	.....	D14/126
D687,000	S	*	7/2013	Gomi et al.	.....	D14/126
D691,978	S	*	10/2013	Han et al.	.....	D14/126
D705,185	S	*	5/2014	Jeon et al.	.....	D14/126
D715,243	S	*	10/2014	Jang et al.	.....	D14/126
D715,755	S	*	10/2014	Jang et al.	.....	D14/126

\* cited by examiner

*Primary Examiner* — Raphael Barkai

(74) *Attorney, Agent, or Firm* — Morgan, Lewis & Bockius LLP

(57) **CLAIM**

I claim the ornamental design for a television receiver, as shown and described.

**DESCRIPTION**

FIG. 1 is a perspective view of a television receiver showing the new design;  
FIG. 2 is a front elevation view thereof;  
FIG. 3 is a rear elevation view thereof;  
FIG. 4 is a left-side elevation view thereof;  
FIG. 5 is a right-side elevation view thereof;  
FIG. 6 is a top plan view thereof; and,  
FIG. 7 is a bottom plan view thereof.

**1 Claim, 4 Drawing Sheets**

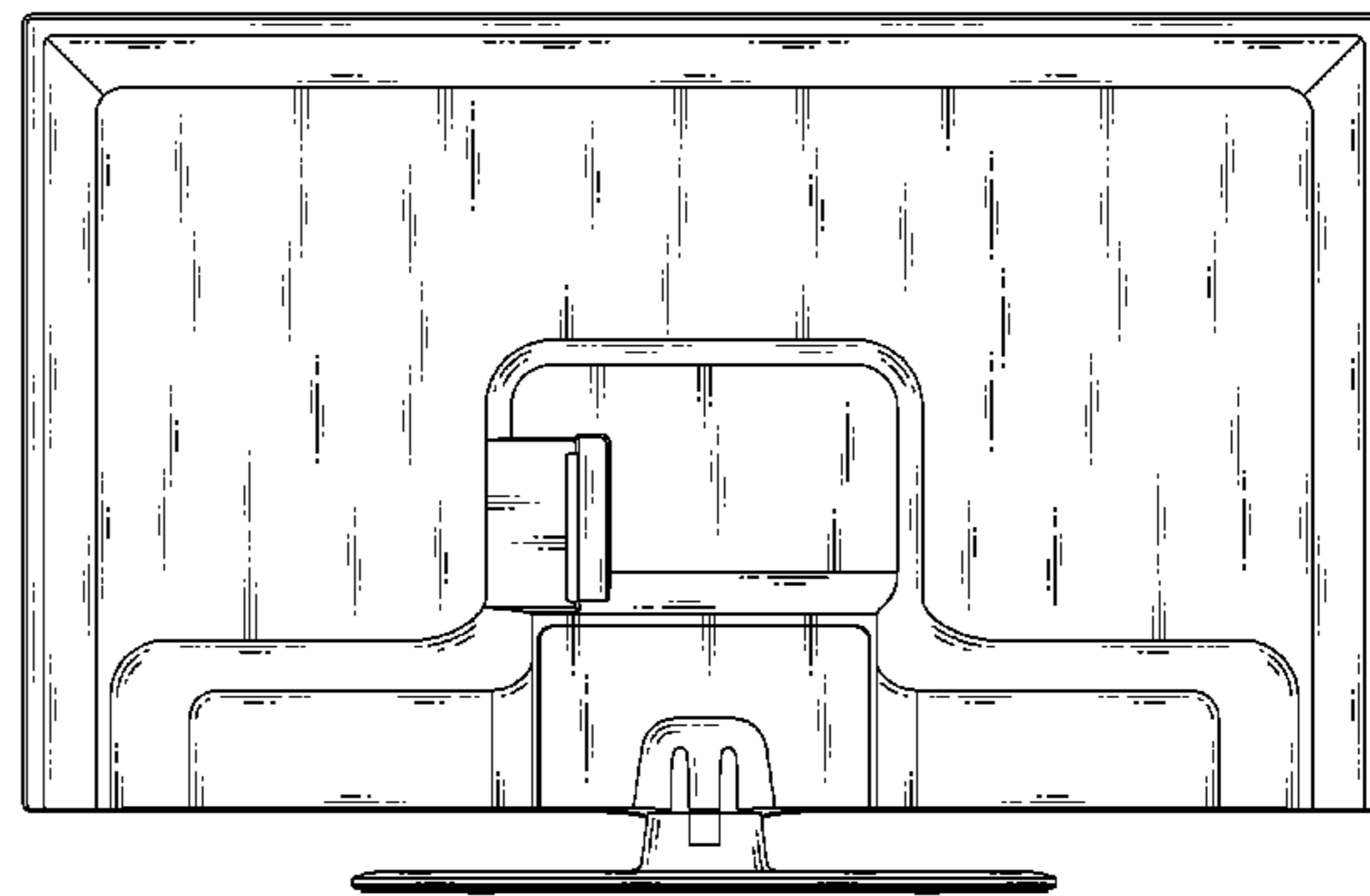
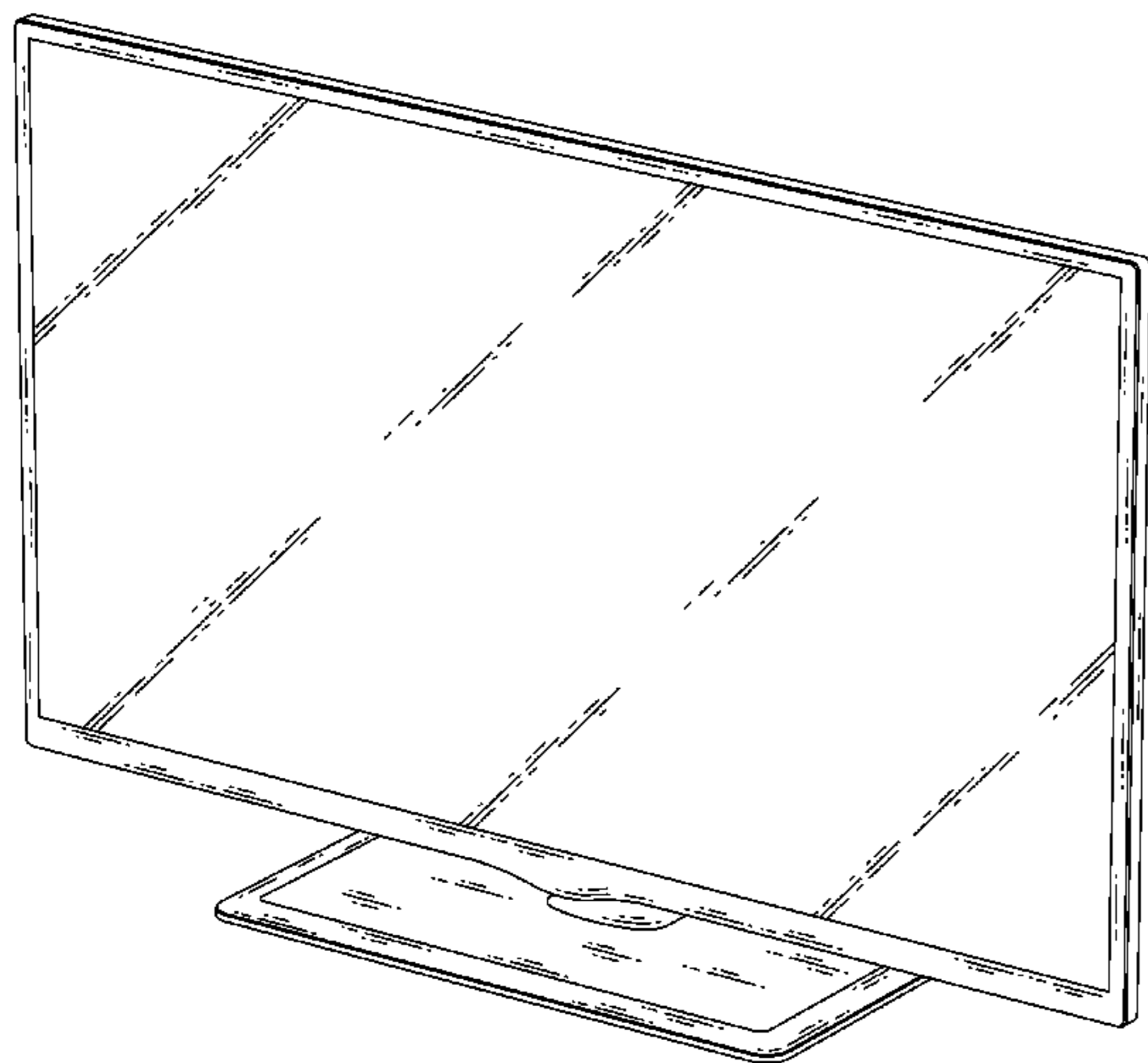


FIG. 1

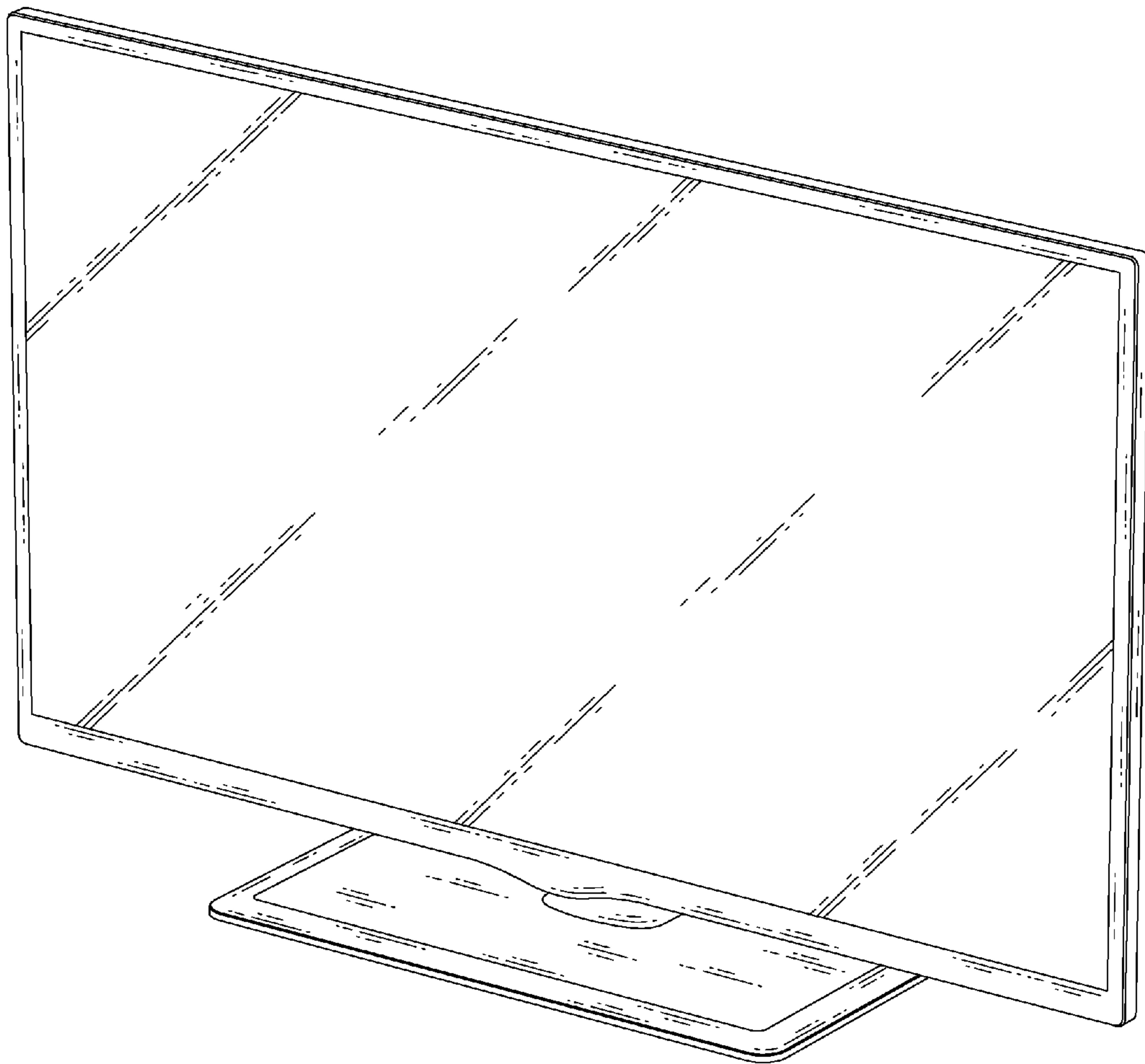


FIG. 2

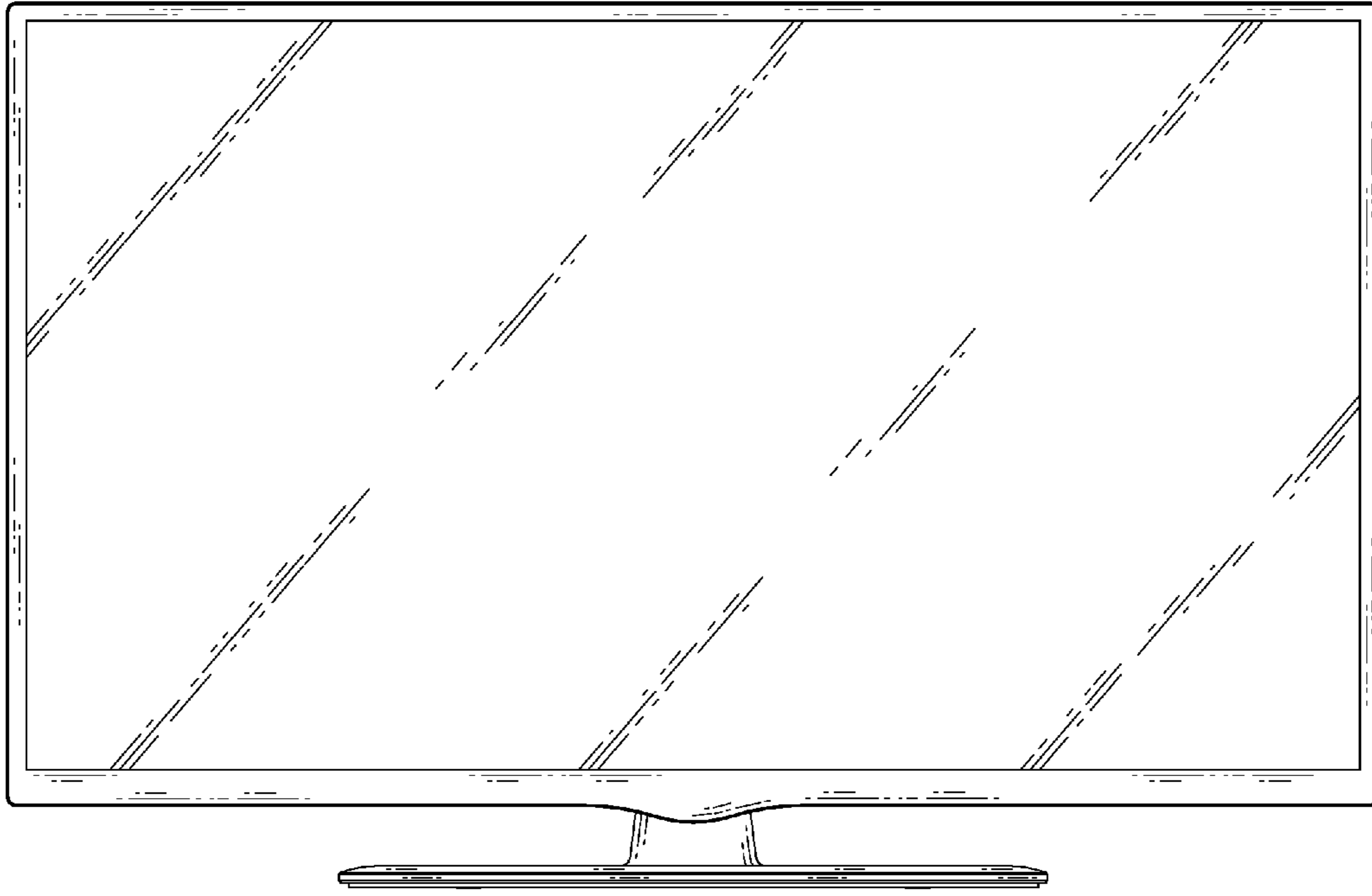


FIG. 3

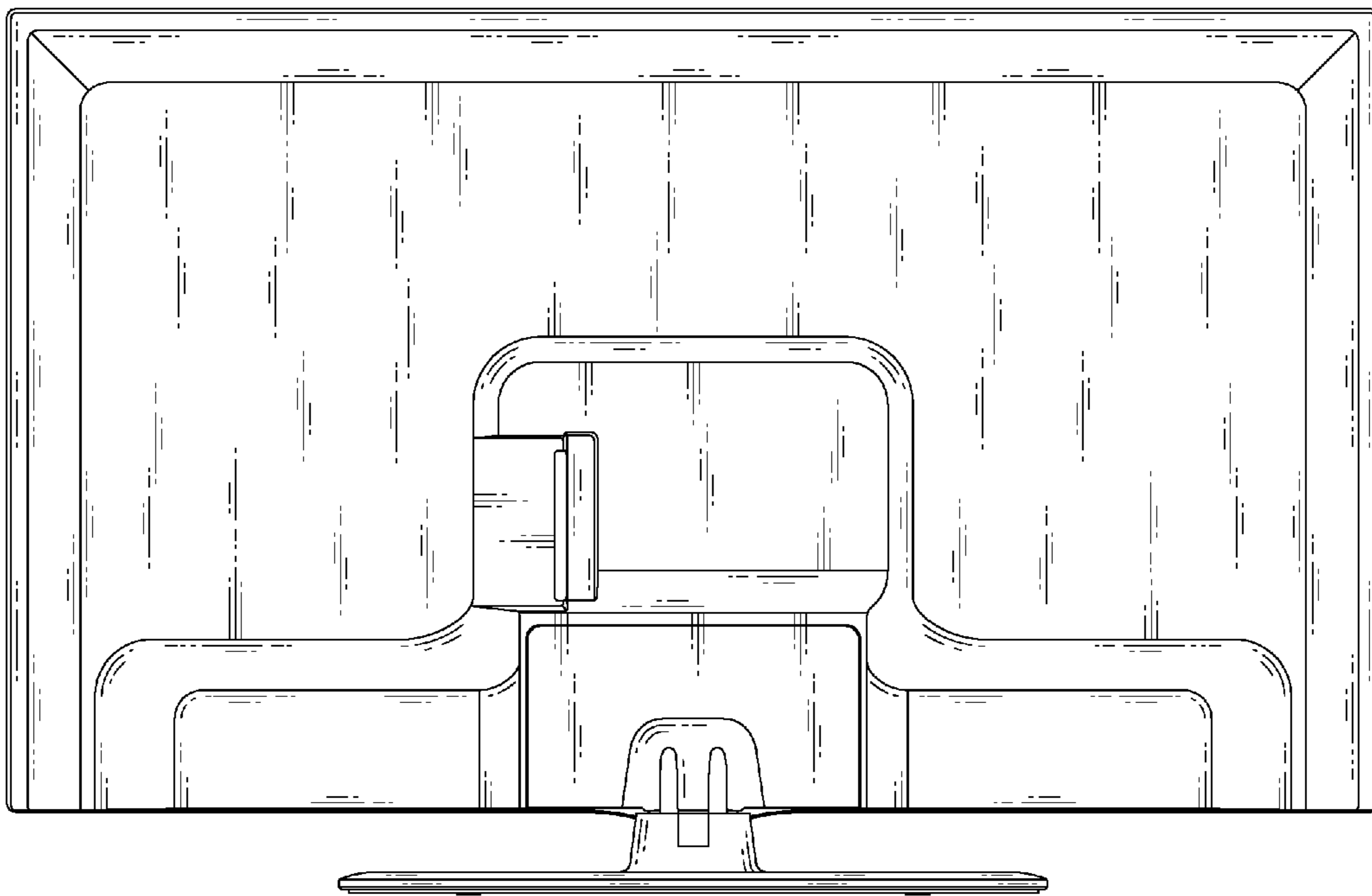


FIG. 4

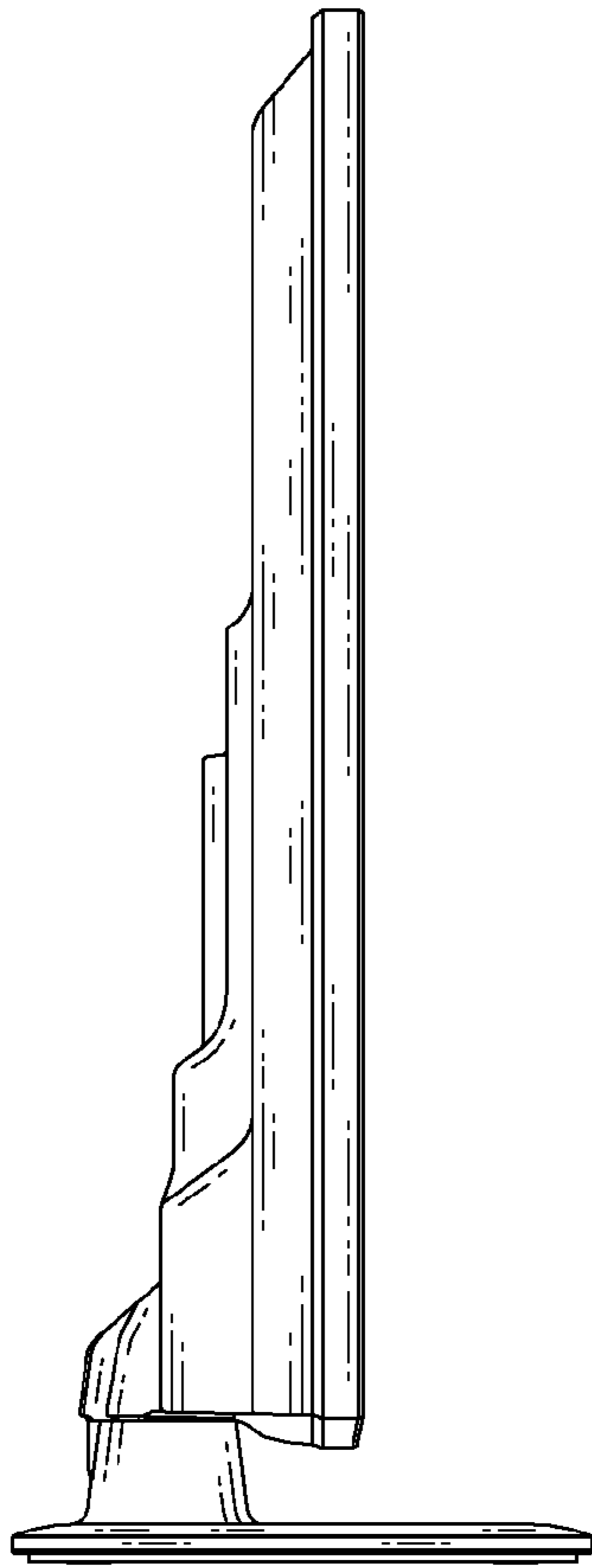


FIG. 5

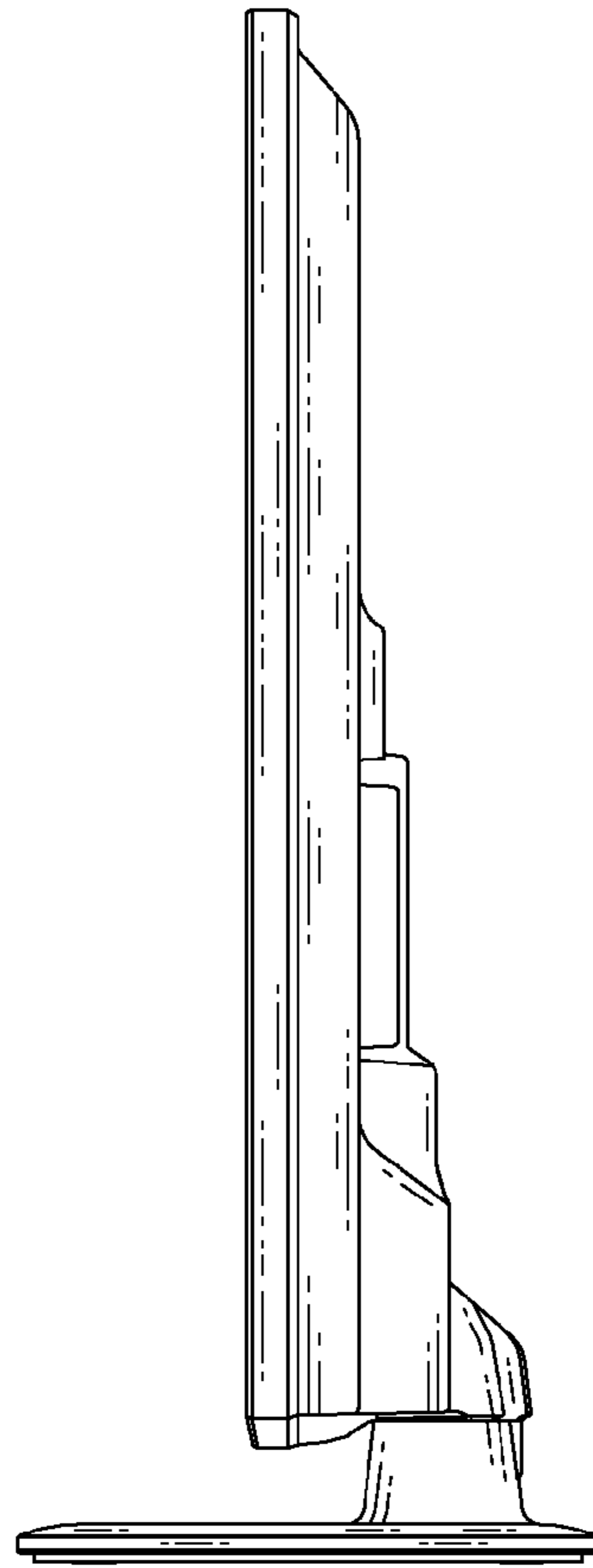


FIG.6

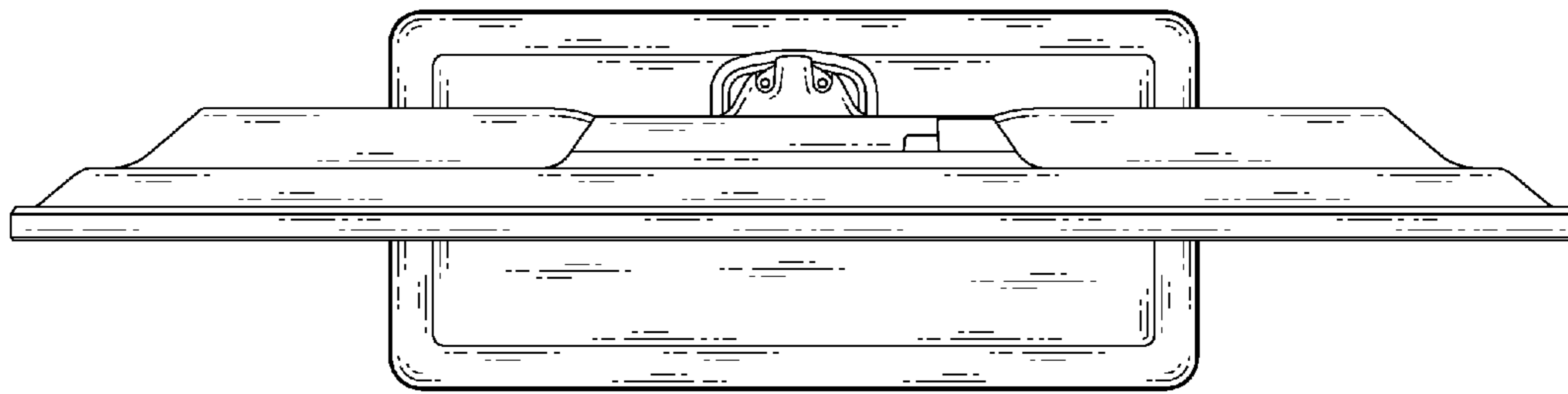


FIG.7

