

US00D736728S

(12) **United States Design Patent**
Kim et al.

(10) **Patent No.:** **US D736,728 S**

(45) **Date of Patent:** **** Aug. 18, 2015**

(54) **TELEVISION RECEIVER**

(71) Applicant: **Samsung Electronics Co., Ltd.**,
Suwon-si (KR)

(72) Inventors: **Eui-Seok Kim**, Sungnam-Si (KR);
Sung-II Bang, Seoul (KR)

(73) Assignee: **Samsung Electronics Co., Ltd.**,
Suwon-si (KR)

(**) Term: **14 Years**

(21) Appl. No.: **29/457,524**

(22) Filed: **Jun. 11, 2013**

(30) **Foreign Application Priority Data**

Dec. 11, 2012 (KR) 30-2012-0059739

(51) **LOC (10) Cl.** **14-03**

(52) **U.S. Cl.**
USPC **D14/126**

(58) **Field of Classification Search**

USPC D14/125-134, 239, 371, 136, 374-377,
D14/440, 450, 448, 336, 342, 159; 312/7.2;
348/836, 838, 180, 184, 325, 739;
248/917-924, 465; 345/104, 133, 156,
345/168, 87, 173; D21/329, 515, 577, 622,
D21/333, 433, 448, 452, 450, 331, 505;
D10/15, 26; 446/484, 175, 356;
D6/477, 479, 300; D24/185; D34/14
CPC ... G06F 1/1601; G06F 1/1643; H05K 5/0004;
H05K 5/0017; H05K 5/02; H05K 5/0217
See application file for complete search history.

(56) **References Cited**

U.S. PATENT DOCUMENTS

D629,373 S * 12/2010 Kim et al. D14/126
D629,769 S * 12/2010 Zhong D14/126

D656,914 S * 4/2012 Shin et al. D14/126
D680,509 S * 4/2013 Hwangbo et al. D14/126
D689,033 S * 9/2013 Hwangbo et al. D14/126
D690,674 S * 10/2013 Lu et al. D14/126
D719,116 S * 12/2014 Bang et al. D14/126
D719,117 S * 12/2014 Huh et al. D14/126
D721,666 S * 1/2015 Son et al. D14/126

* cited by examiner

Primary Examiner — Raphael Barkai

(74) *Attorney, Agent, or Firm* — NSIP Law

(57) **CLAIM**

The ornamental design for a television receiver, as shown and described.

DESCRIPTION

FIG. 1 is a perspective view of a television receiver, showing our new design;

FIG. 2 is a front view thereof;

FIG. 3 is a rear view thereof;

FIG. 4 is a left-side view thereof;

FIG. 5 is a right-side view thereof;

FIG. 6 is a top plan view thereof;

FIG. 7 is a bottom plan view thereof;

FIG. 8 is a rear perspective view thereof;

FIG. 9 is an enlarged view of the encircled portion A in FIG. 1;

FIG. 10 is an enlarged view of the encircled portion B in FIG. 1; and,

FIG. 11 is an enlarged view of the encircled portion C in FIG. 7.

The broken lines are for environmental purposes only and form no part of the claimed design. The shade lines in the figures show contour and not surface ornamentation. The diagonal lines in FIGS. 1, 2, 9, and 10 represent a reflective surface. The dot-dash broken lines encircling portions of the claimed design that are illustrated in enlargements form no part of the claimed design.

1 Claim, 9 Drawing Sheets

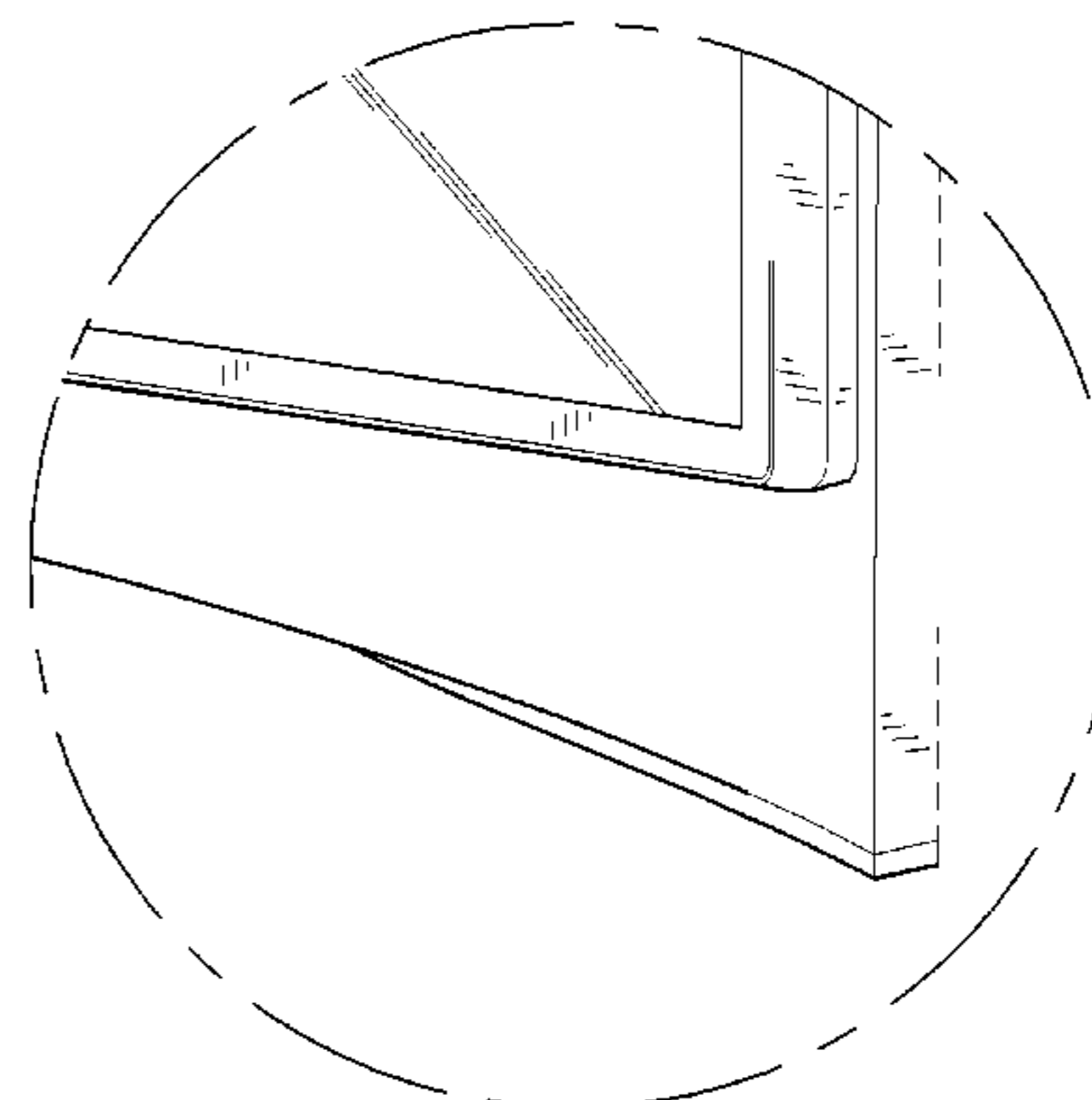
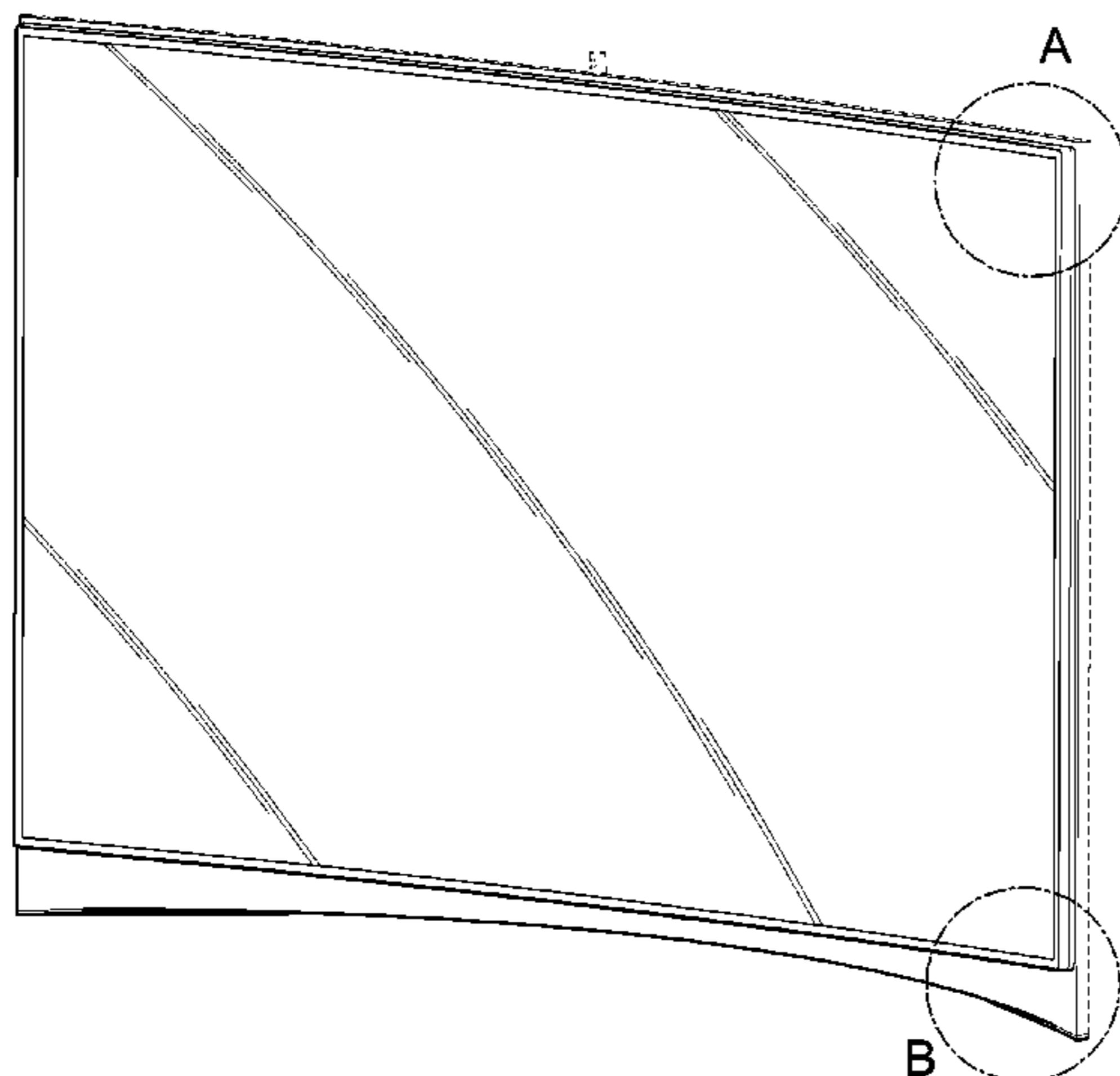


FIG. 1

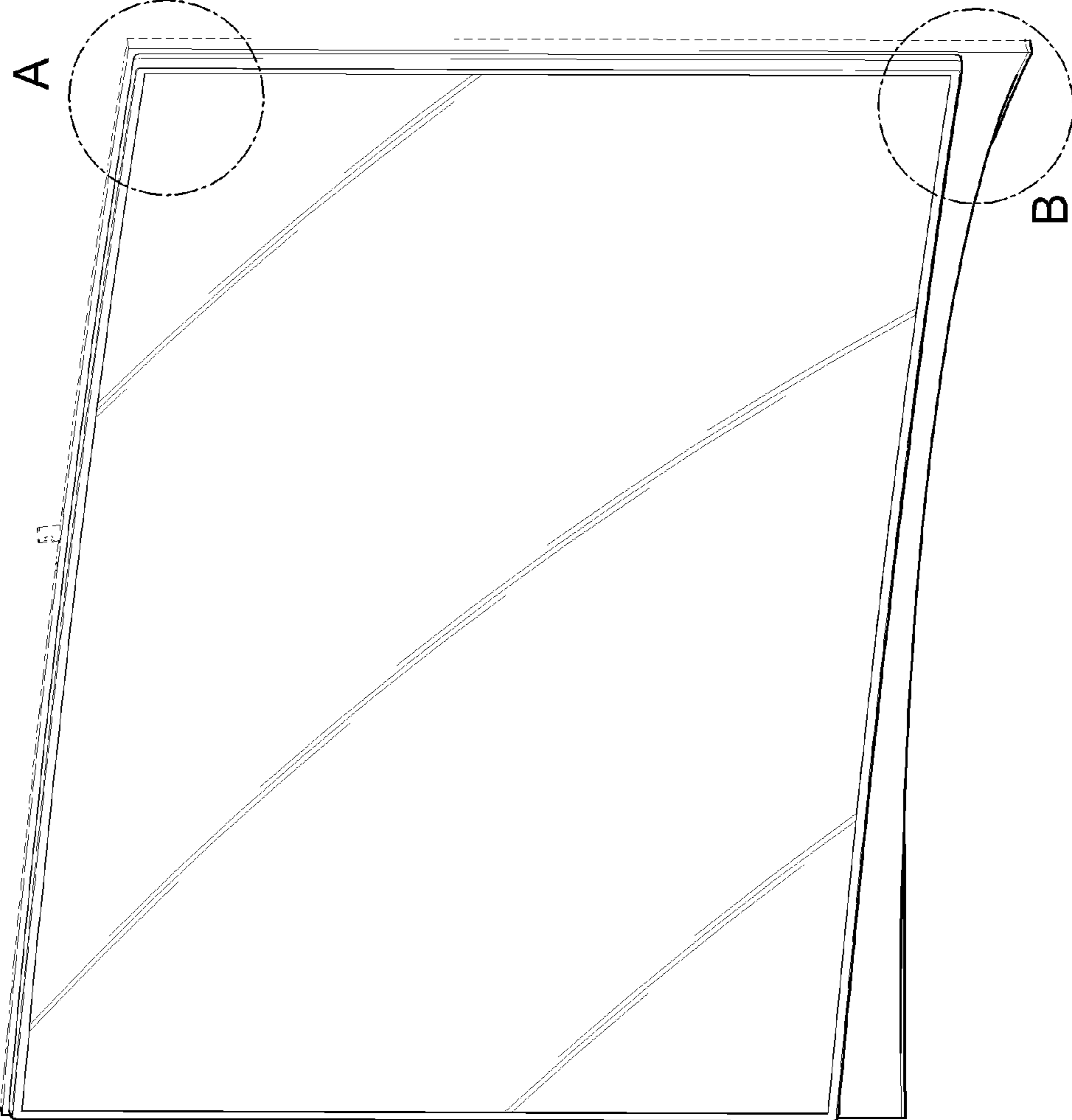


FIG. 2

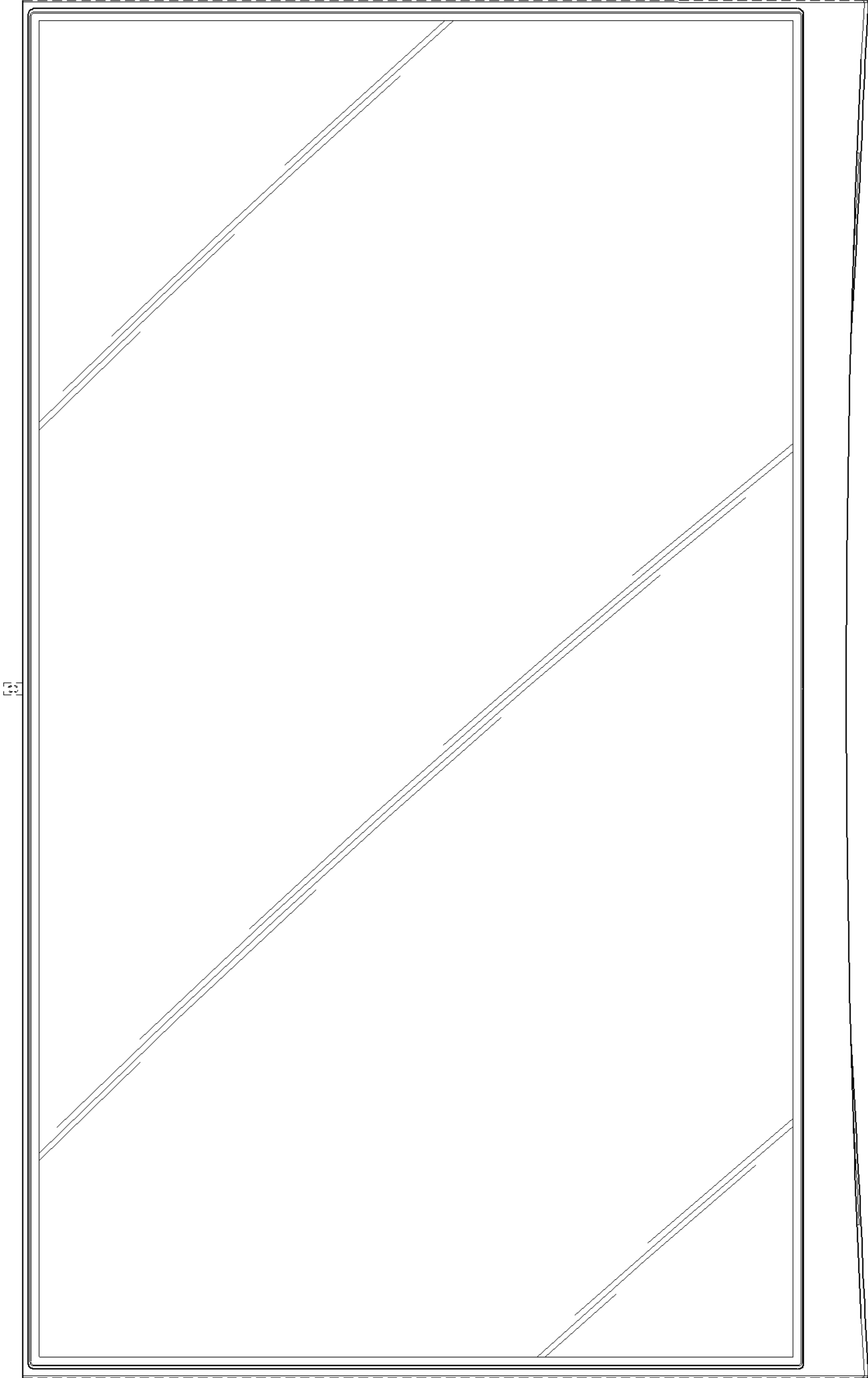


FIG. 3

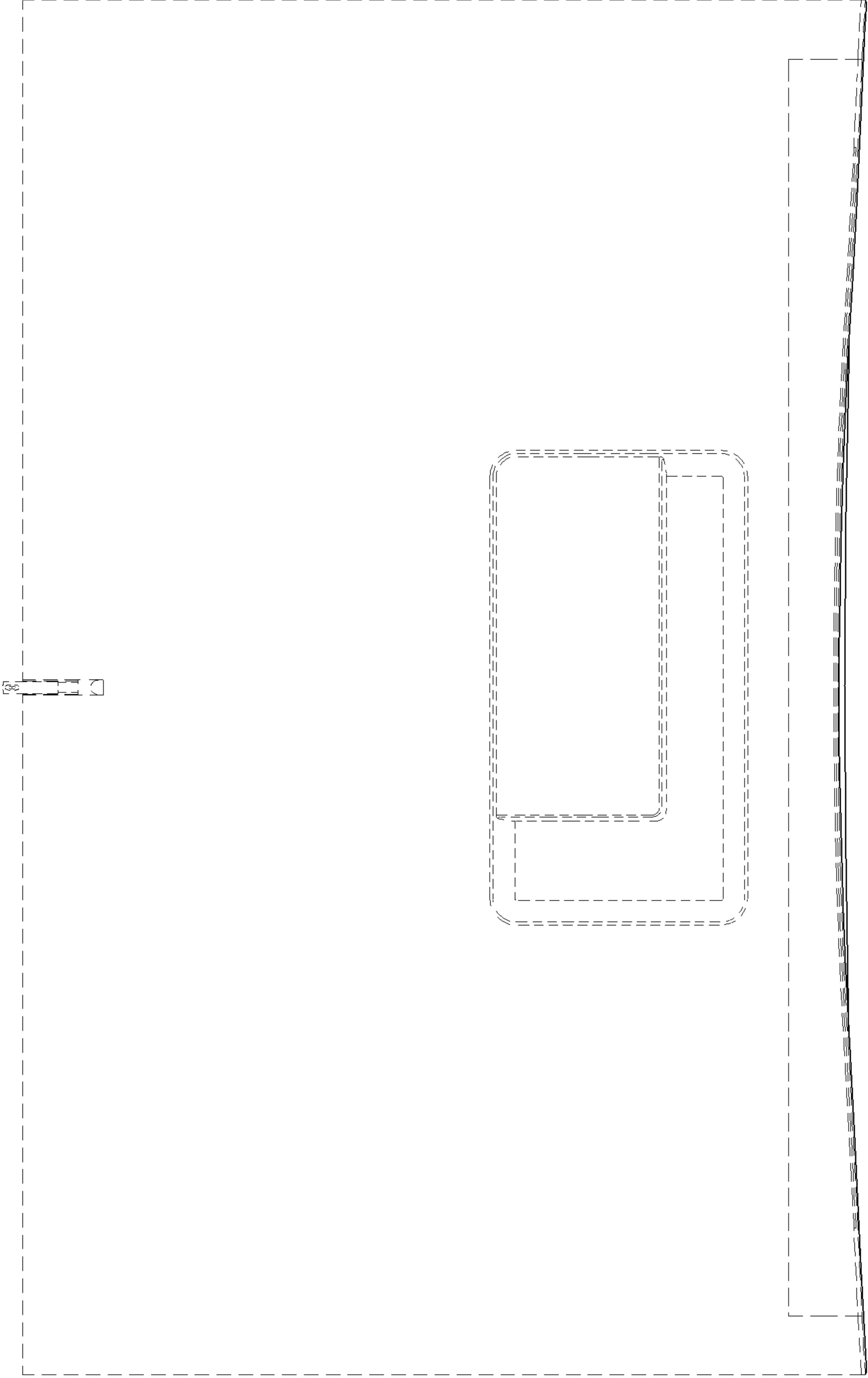


FIG. 5

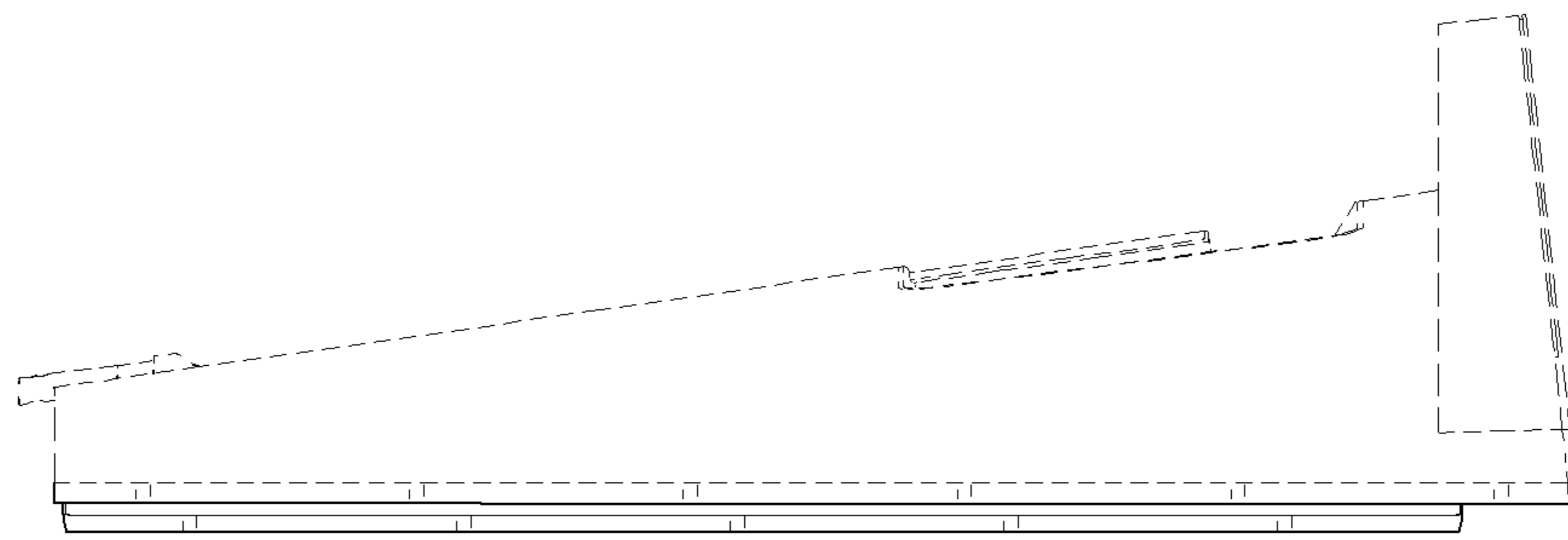


FIG. 4

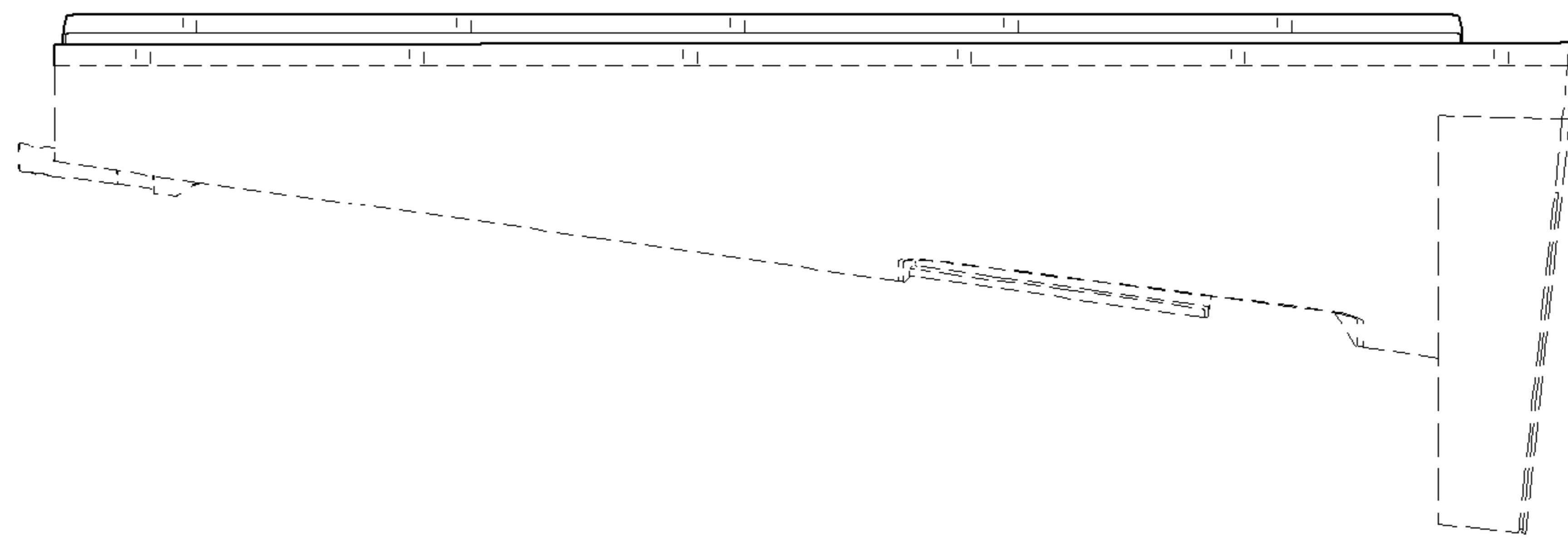


FIG. 6

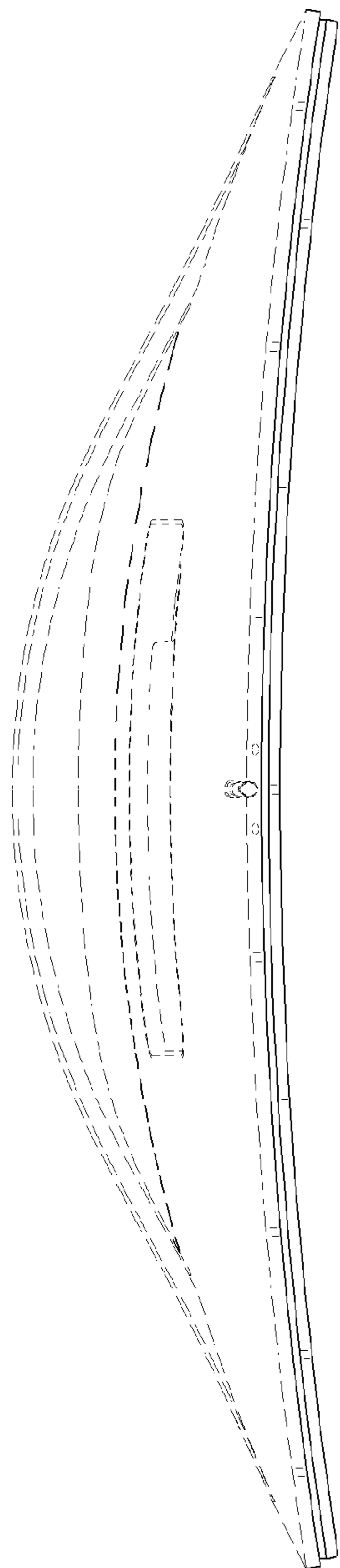
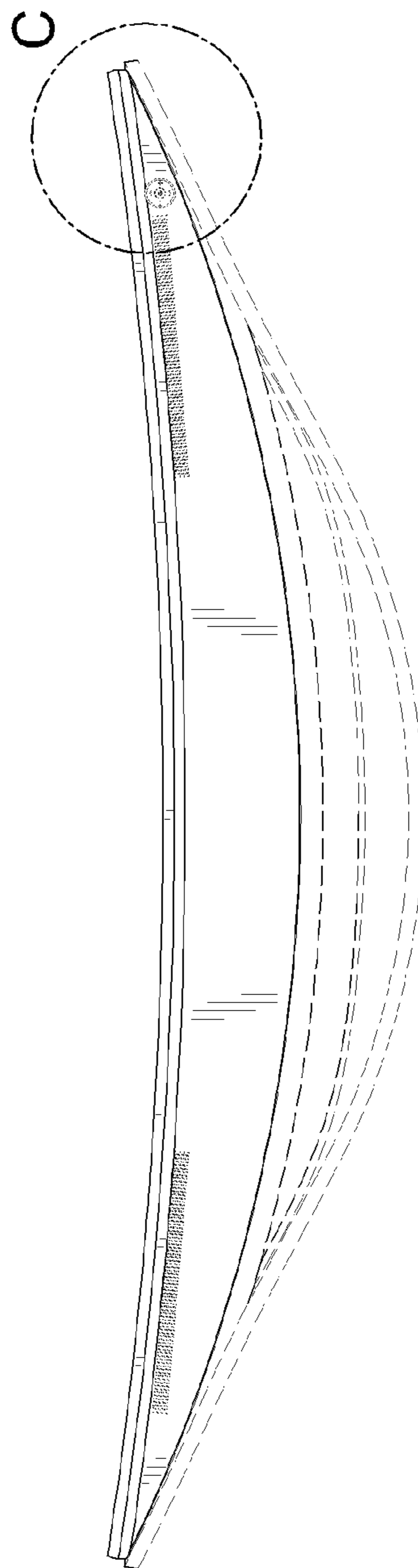


FIG. 7



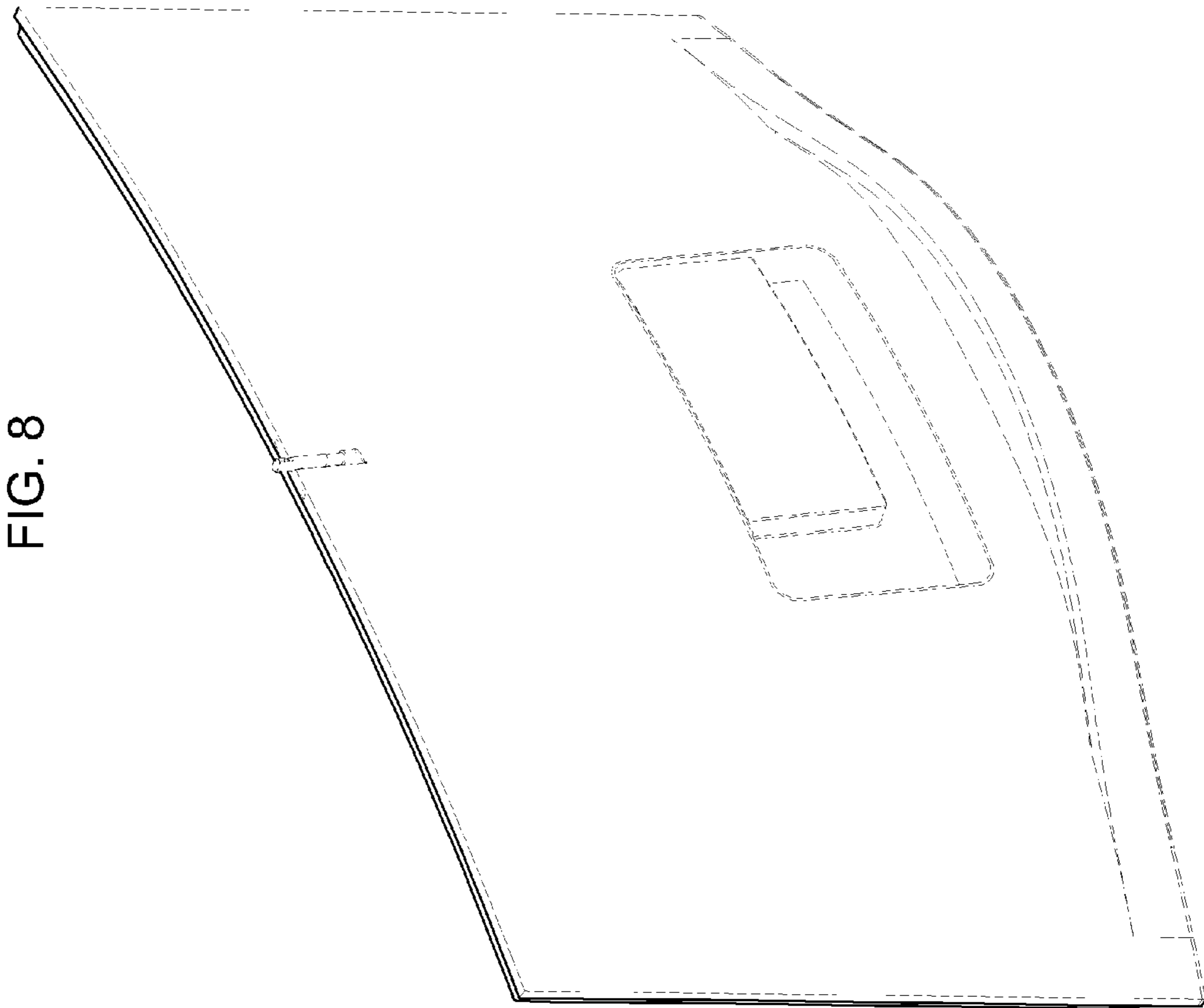


FIG. 8

FIG. 9

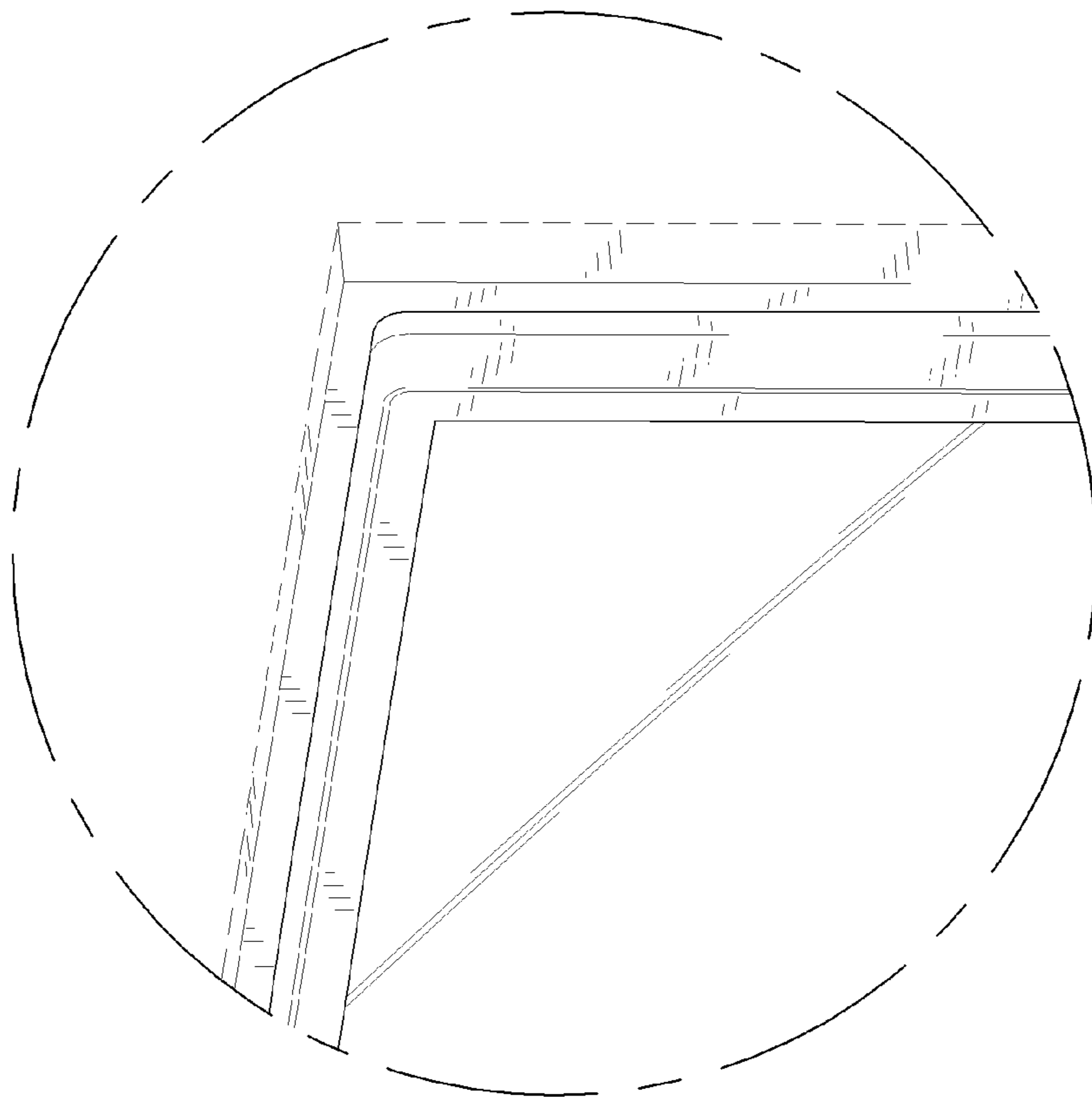


FIG. 10

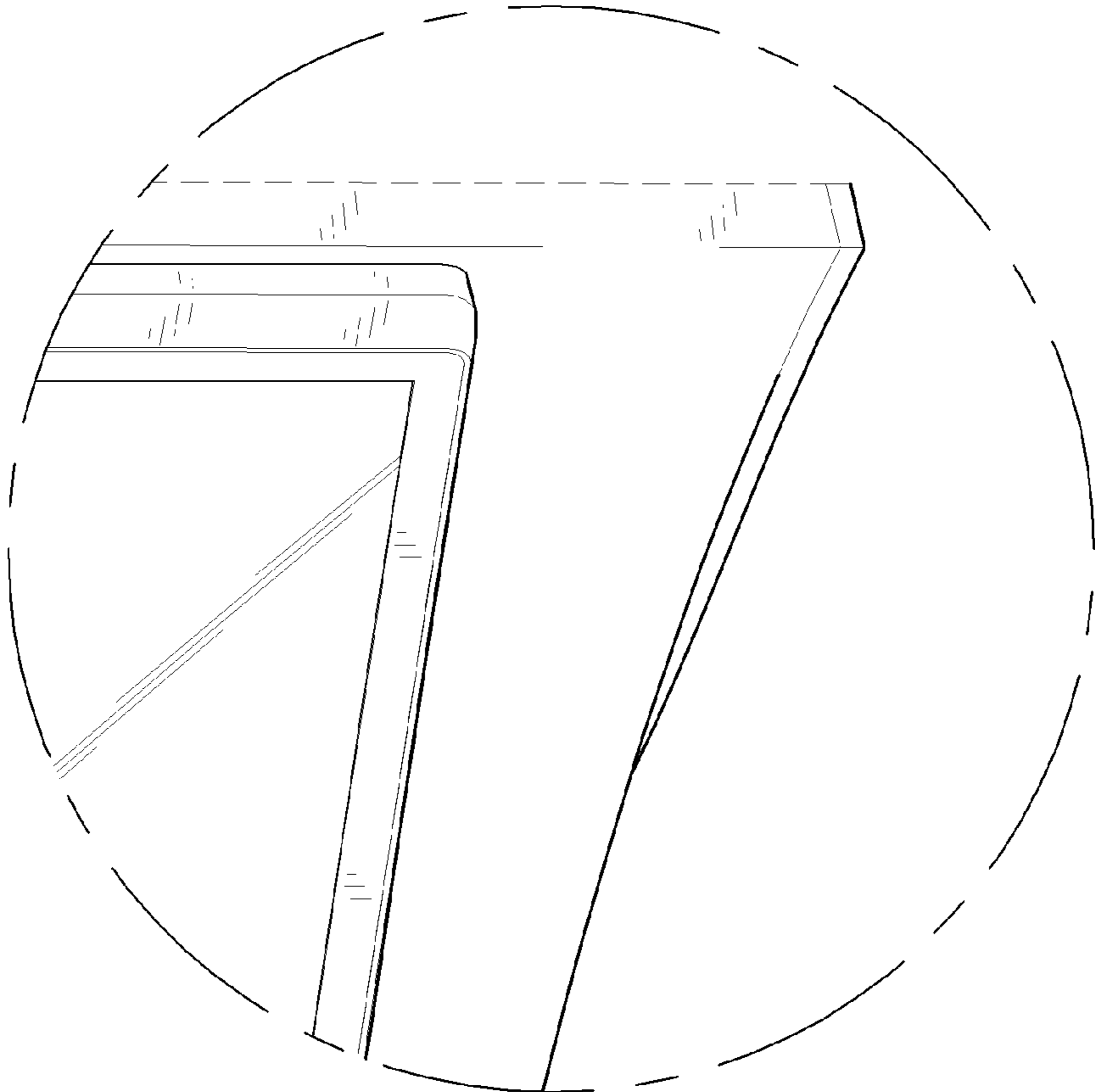


FIG. 11

