



US00D736727S

(12) **United States Design Patent**  
**Bang et al.**

(10) **Patent No.:** **US D736,727 S**  
(45) **Date of Patent:** **\*\* Aug. 18, 2015**

(54) **TELEVISION RECEIVER**

(71) Applicant: **Samsung Electronics Co., Ltd.**,  
Suwon-si (KR)

(72) Inventors: **Sung-II Bang**, Seoul (KR); **Eui-Seok Kim**,  
Sungnam-Si (KR)

(73) Assignee: **Samsung Electronics Co., Ltd.**,  
Suwon-si (KR)

(\*\*) Term: **14 Years**

(21) Appl. No.: **29/457,517**

(22) Filed: **Jun. 11, 2013**

(30) **Foreign Application Priority Data**

Dec. 11, 2012 (KR) ..... 30-2012-0059738

(51) **LOC (10) Cl.** ..... **14-03**

(52) **U.S. Cl.**  
USPC ..... **D14/126**

(58) **Field of Classification Search**

USPC ..... D14/125-134, 239, 371, 136, 374-377,  
D14/440, 450, 448, 336, 342, 159; 312/7.2;  
348/836, 838, 180, 184, 325, 739;  
248/917-924, 465; 345/104, 133, 156,  
345/168, 87, 173; D21/329, 515, 577, 622,  
D21/333, 433, 448, 452, 450, 331, 505;  
D10/15, 26; 446/484, 175, 356;  
D6/477, 479, 300; D24/185; D34/14  
CPC ... G06F 1/1601; G06F 1/1643; H05K 5/0004;  
H05K 5/0017; H05K 5/02; H05K 5/0217  
See application file for complete search history.

(56) **References Cited**

**U.S. PATENT DOCUMENTS**

D629,373 S \* 12/2010 Kim et al. .... D14/126  
D629,769 S \* 12/2010 Zhong ..... D14/126  
D656,914 S \* 4/2012 Shin et al. .... D14/126

D680,509 S \* 4/2013 Hwangbo et al. .... D14/126  
D689,033 S \* 9/2013 Hwangbo et al. .... D14/126  
D690,674 S \* 10/2013 Lu et al. .... D14/126  
D719,116 S \* 12/2014 Bang et al. .... D14/126  
D719,117 S \* 12/2014 Huh et al. .... D14/126  
D721,666 S \* 1/2015 Son et al. .... D14/126

\* cited by examiner

*Primary Examiner* — Raphael Barkai

(74) *Attorney, Agent, or Firm* — NSIP Law

(57) **CLAIM**

The ornamental design for a television receiver, as shown and described.

**DESCRIPTION**

FIG. 1 is a perspective view of a television receiver, showing our new design;

FIG. 2 is a front view thereof;

FIG. 3 is a rear view thereof;

FIG. 4 is a left-side view thereof;

FIG. 5 is a right-side view thereof;

FIG. 6 is a top plan view thereof;

FIG. 7 is a bottom plan view thereof;

FIG. 8 is a rear perspective view thereof;

FIG. 9 is an enlarged view of the portion A encircled in FIG. 1;

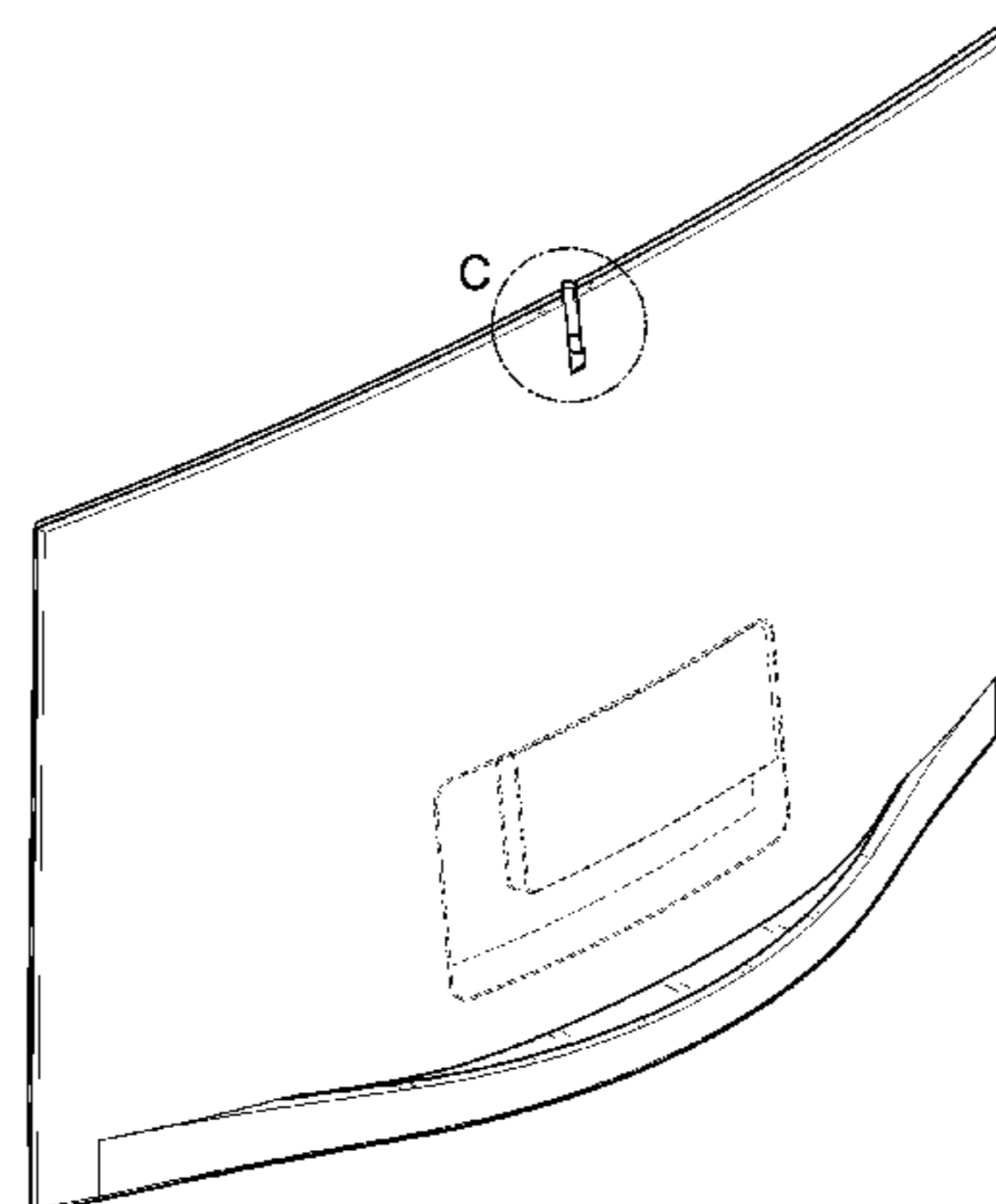
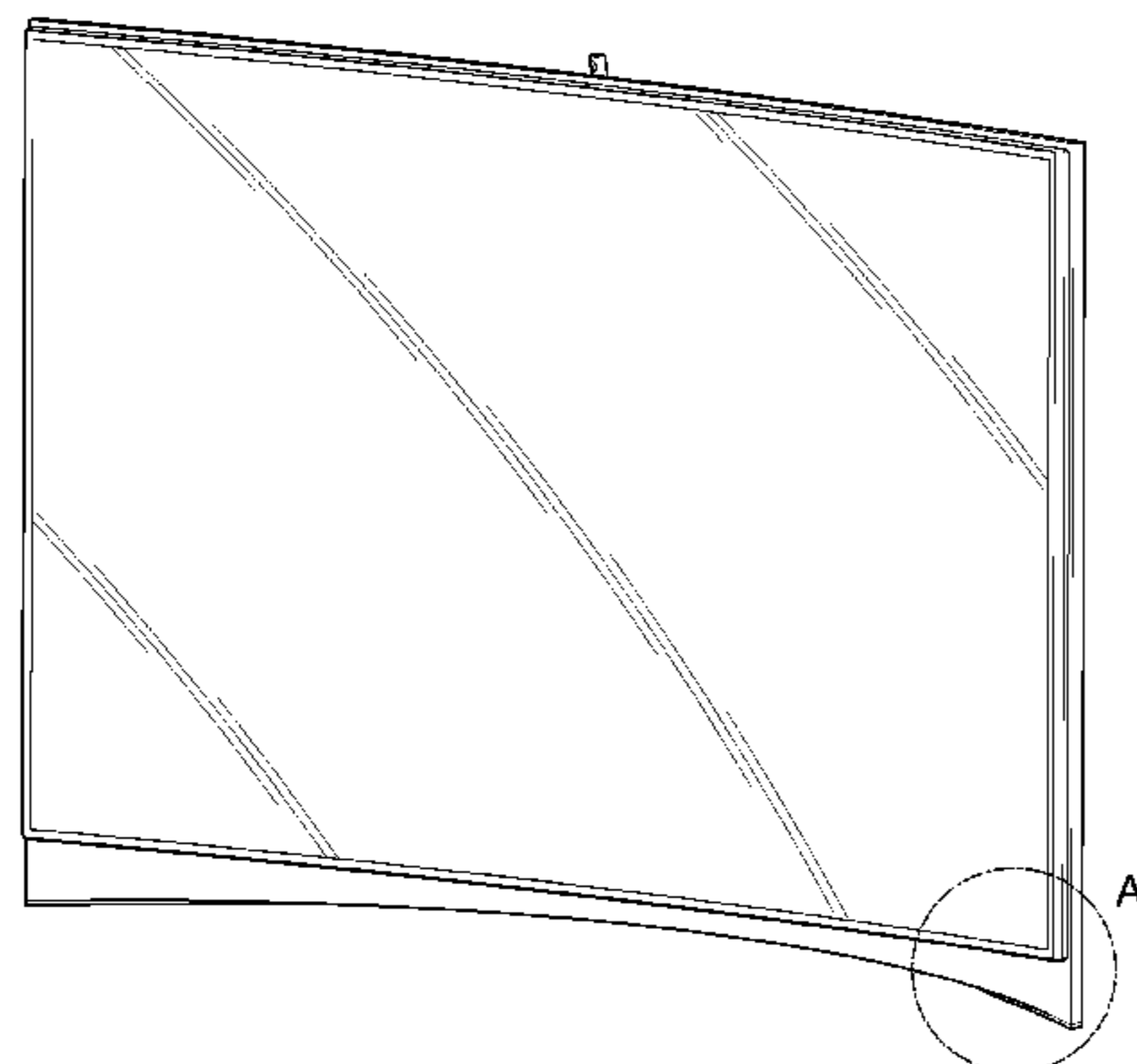
FIG. 10 is an enlarged view of the portion B encircled in FIG. 2;

FIG. 11 is an enlarged view of the portion C encircled in FIG. 8;

FIG. 12 is another enlarged view of the portion C encircled in FIG. 8, in which a camera portion of the claimed design is in a retracted position to illustrate an example environment; and, FIG. 13 is an enlarged view of the portion D encircled in FIG. 7.

The broken lines are for illustrative purposes only and form no part of the claimed design. The shade lines in the figures show contour and not surface ornamentation. The dot-dash broken lines encircling portions of the claimed design that are illustrated in enlargements form no part of the claimed design. The diagonal lines in the FIGS. 1, 2, 9, and 10 represent a reflective surface.

**1 Claim, 11 Drawing Sheets**



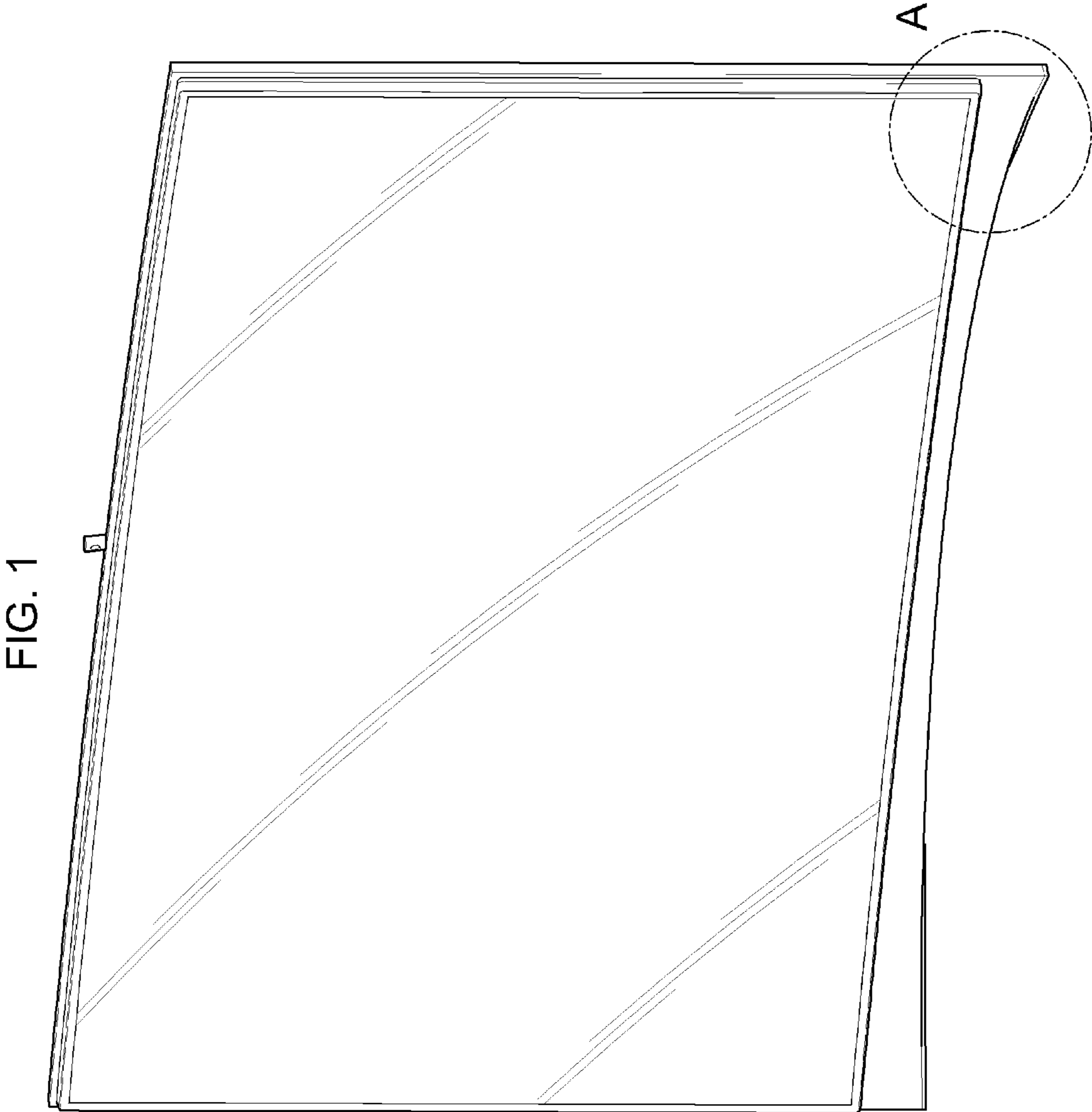


FIG. 2

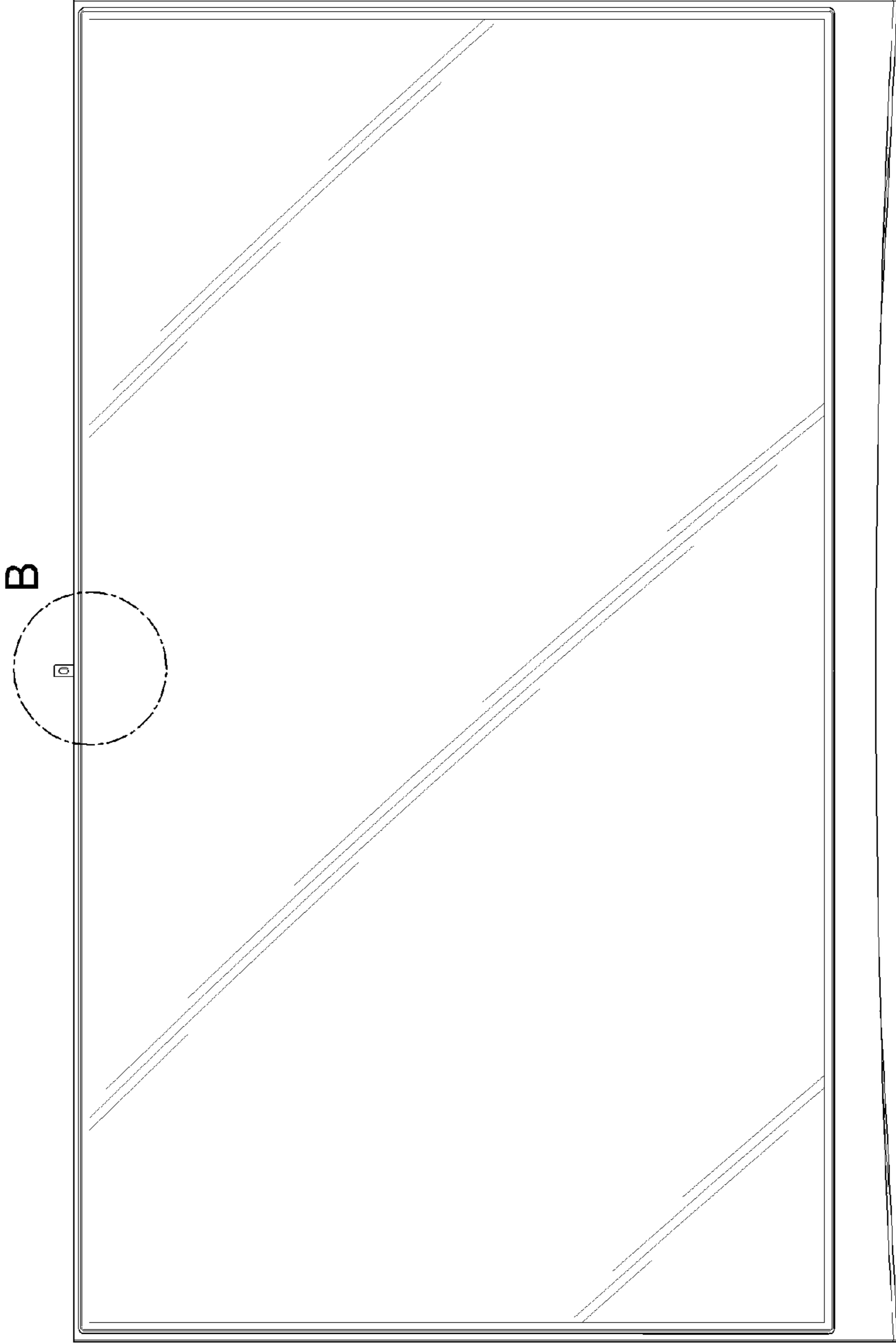


FIG. 3

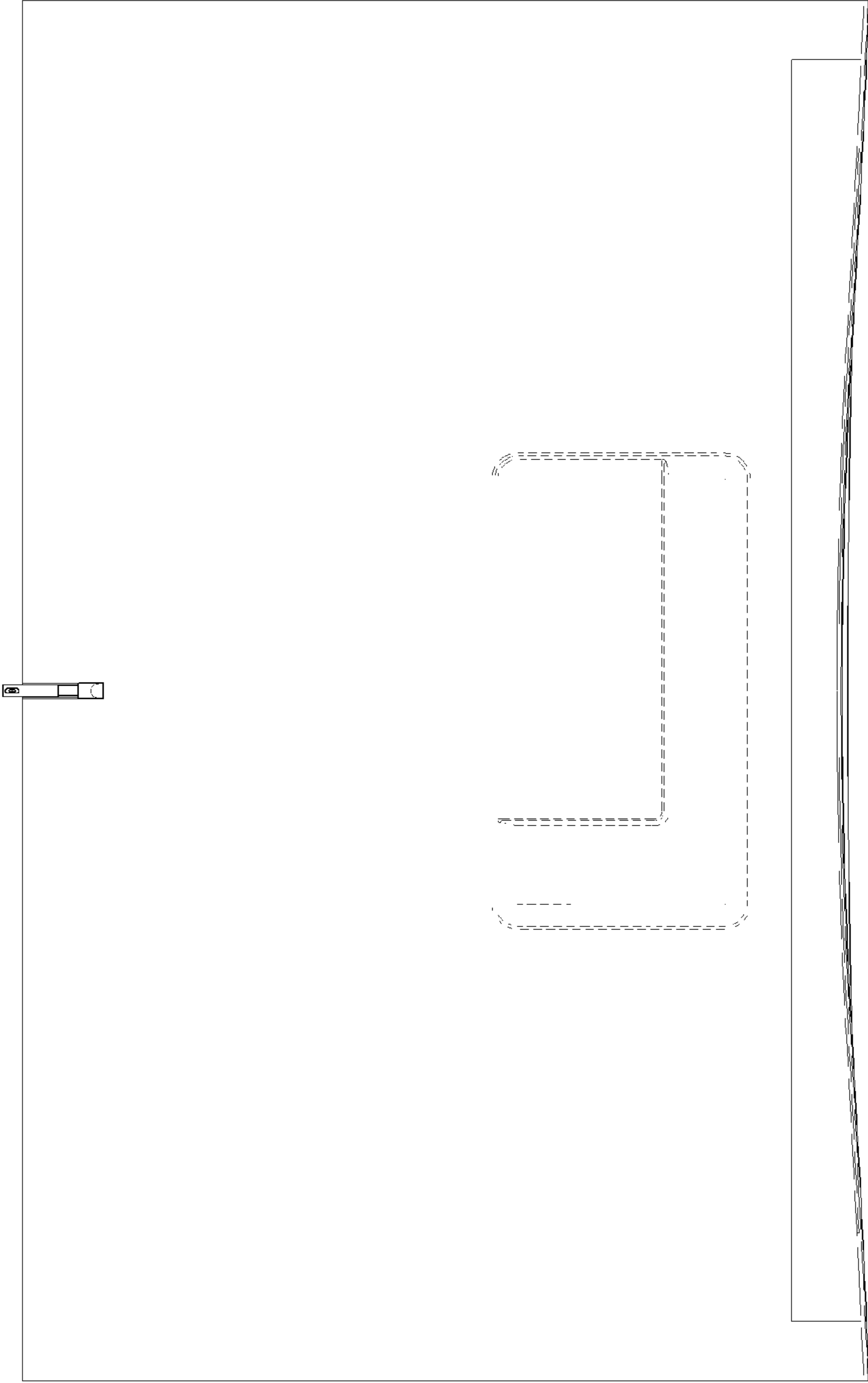


FIG. 5

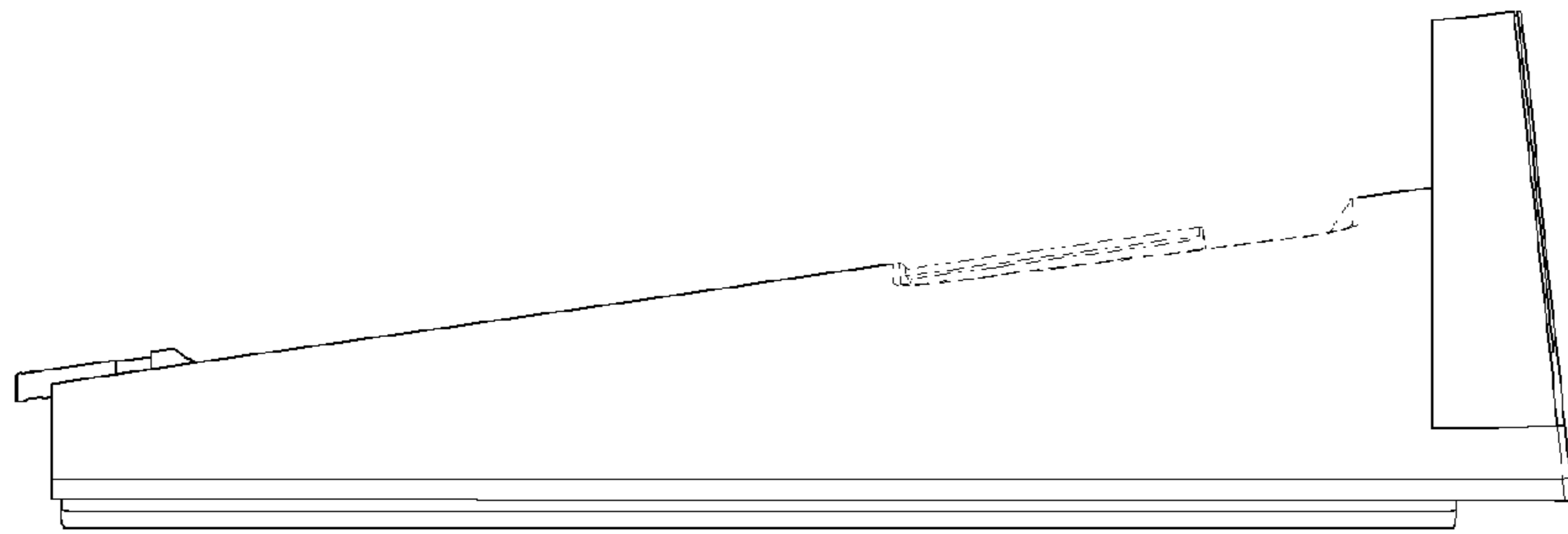


FIG. 4

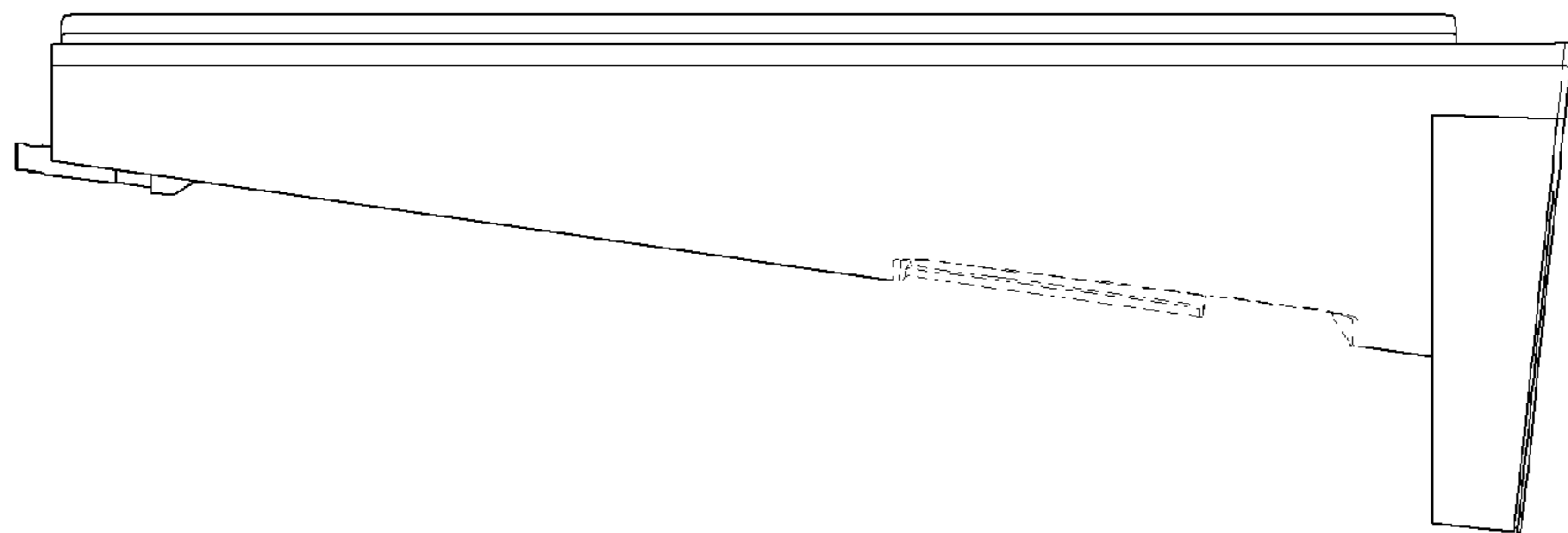


FIG. 6

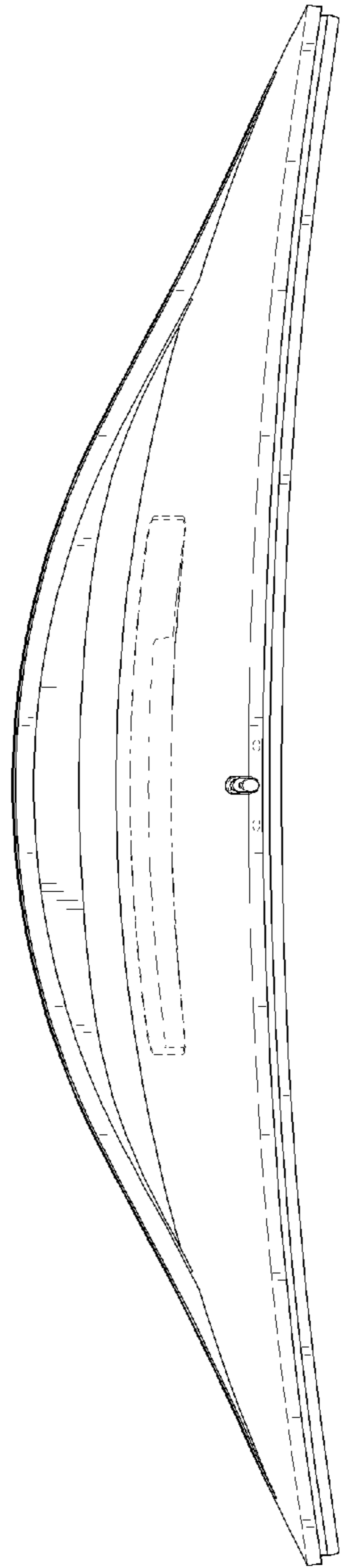


FIG. 7

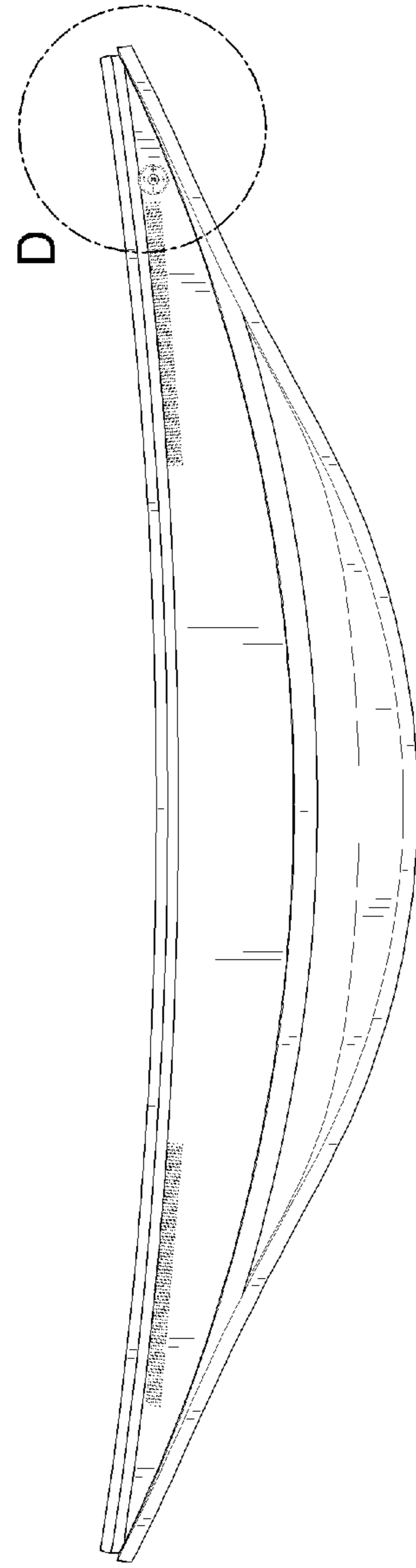


FIG. 8

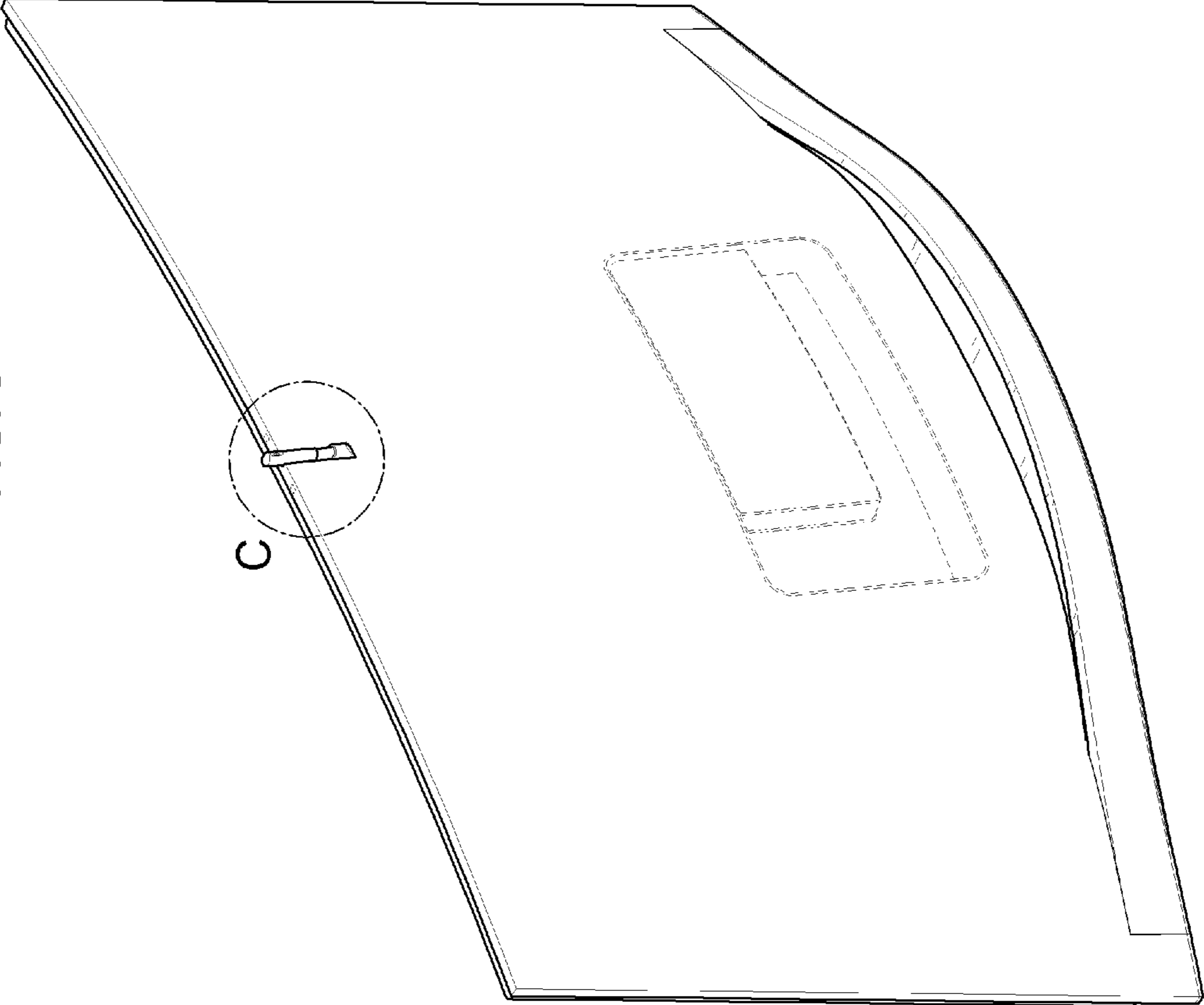


FIG. 9

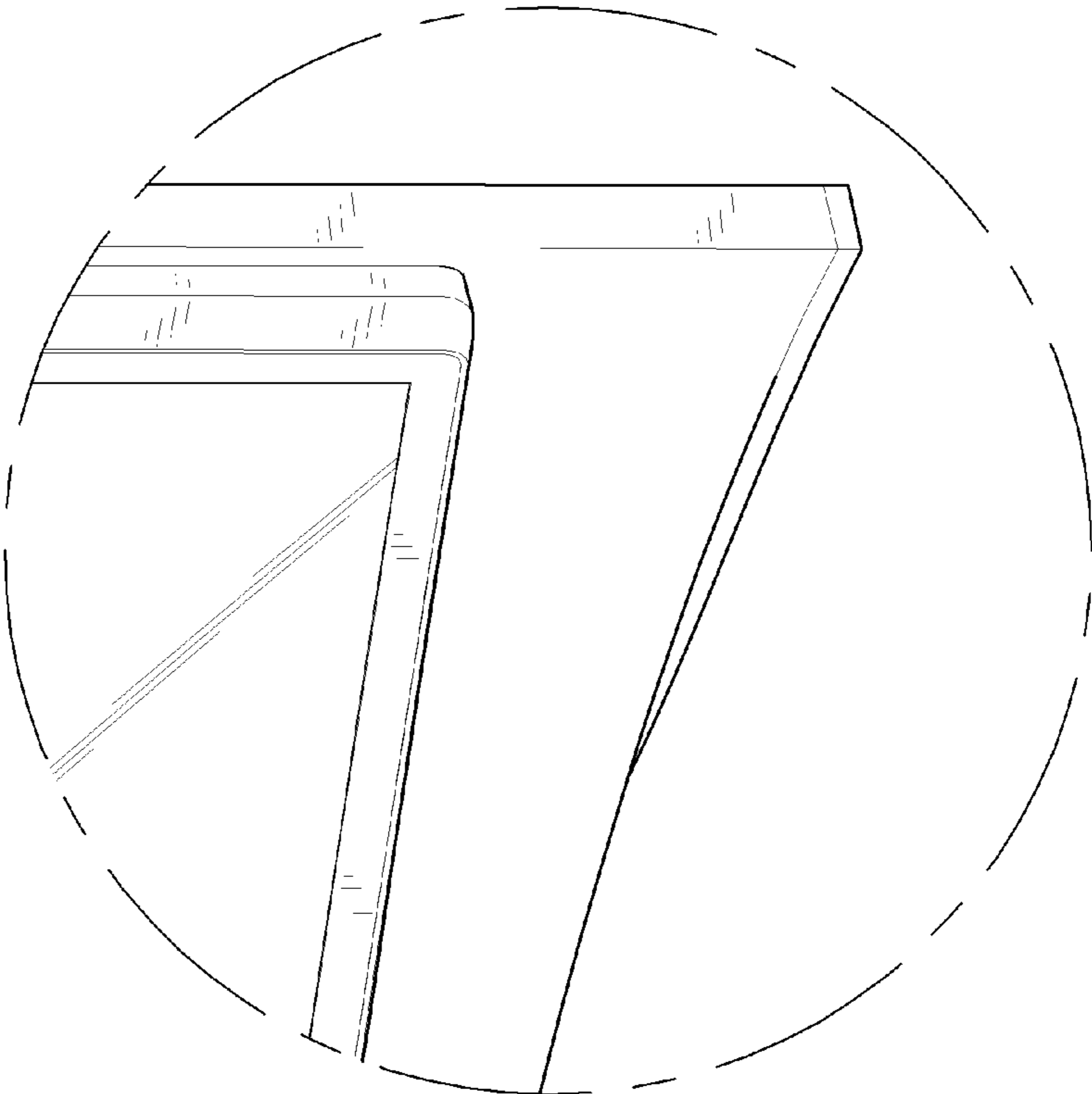




FIG. 10

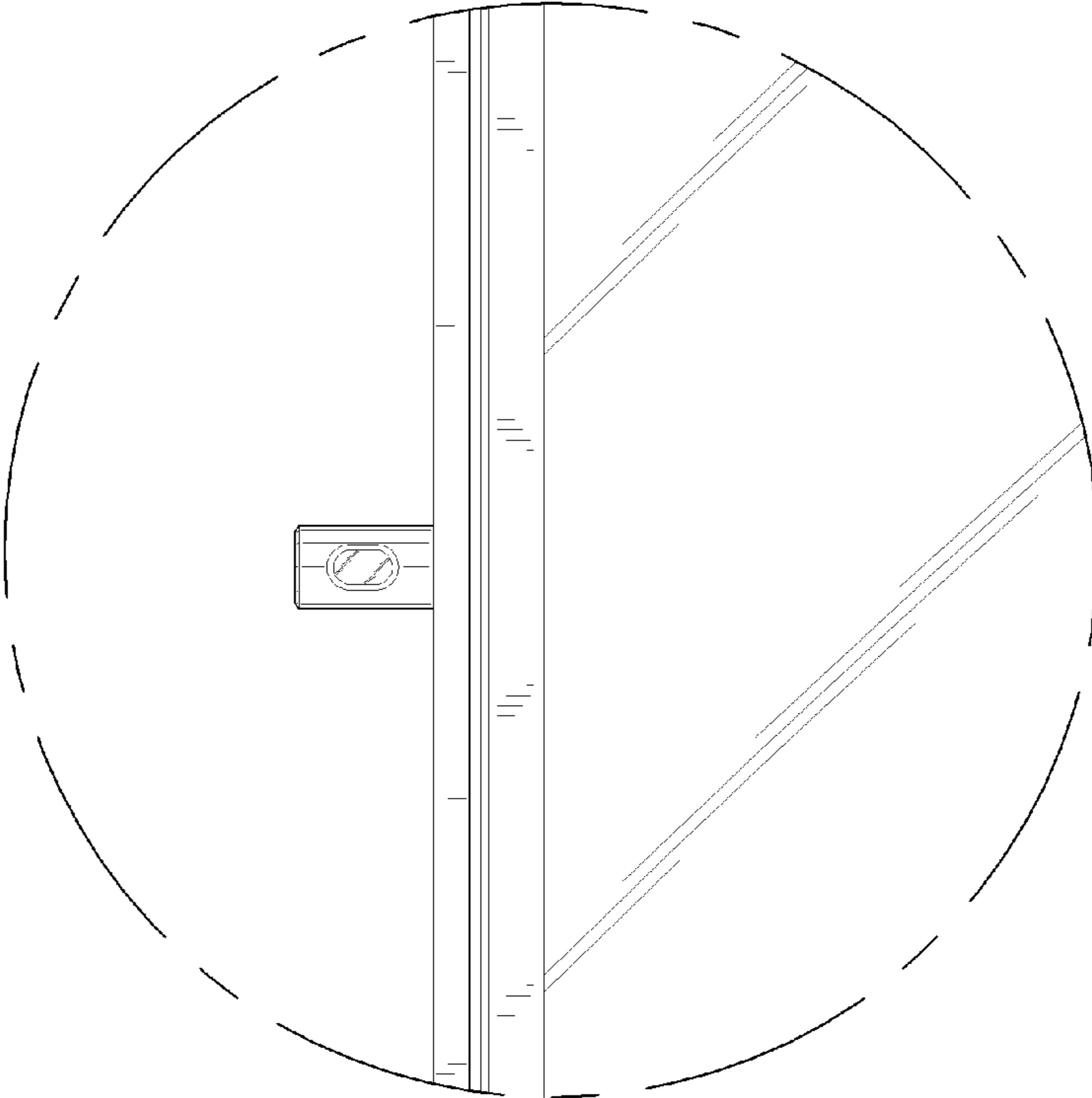


FIG. 11

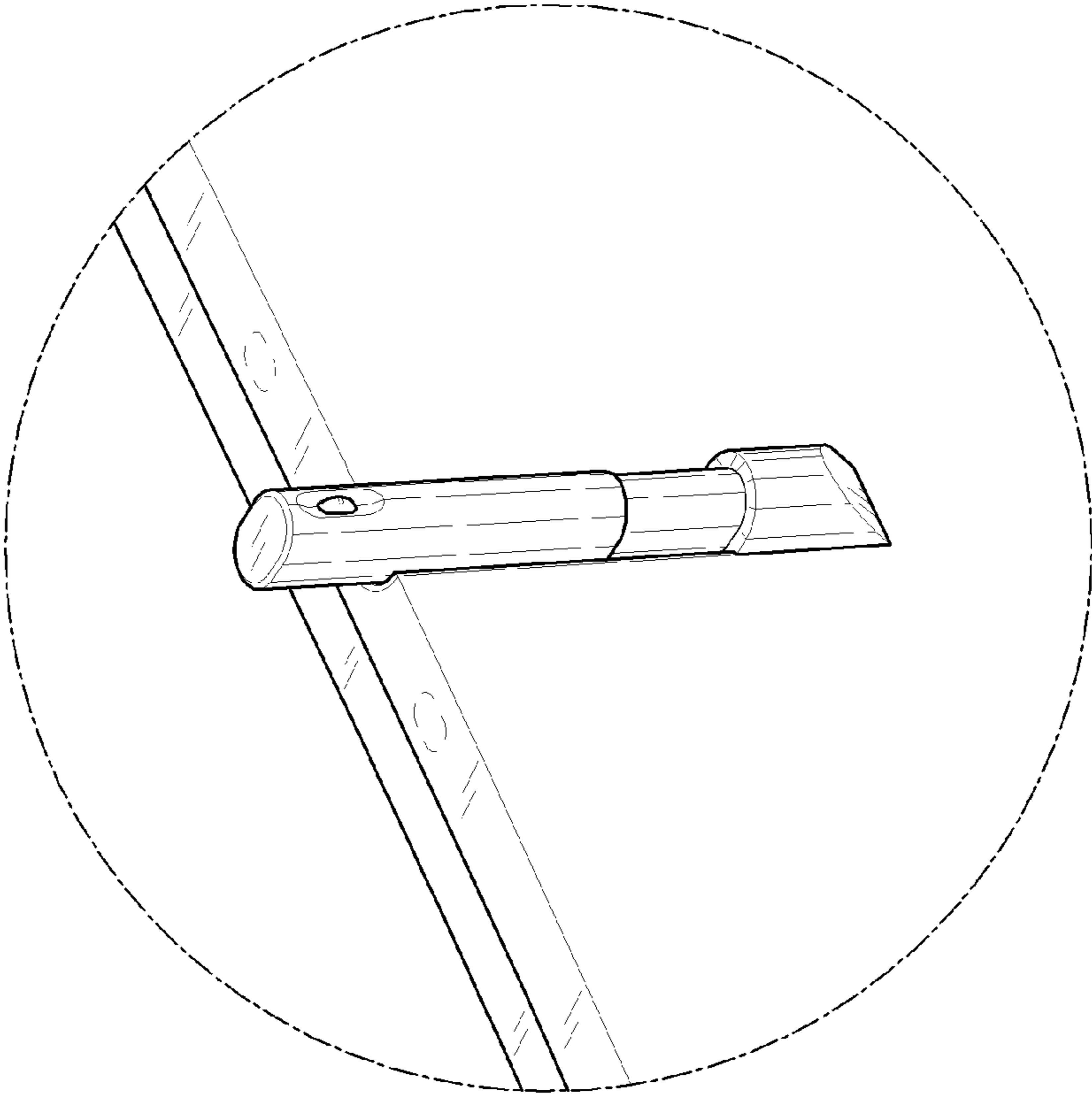


FIG. 12

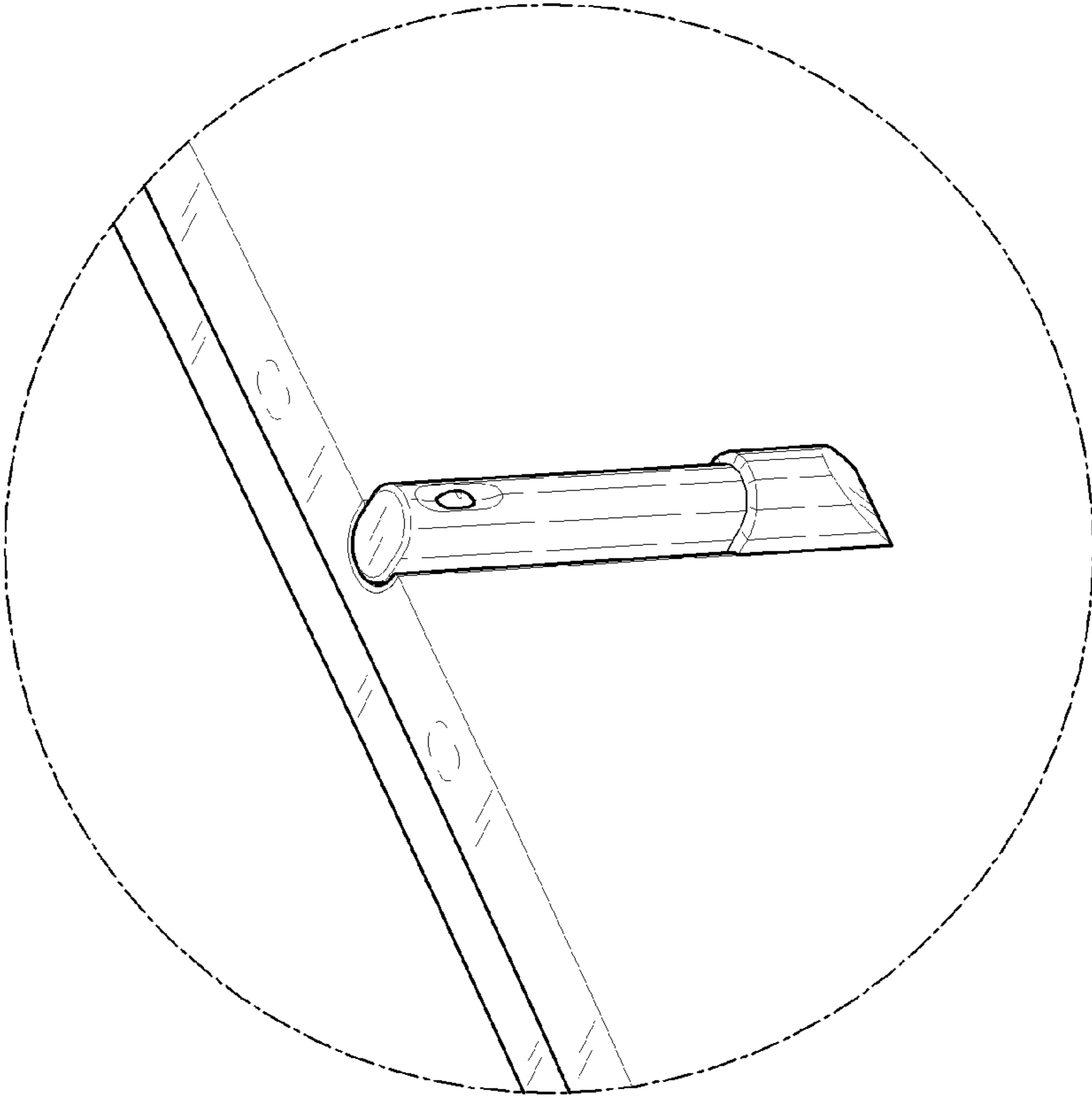


FIG. 13

