



US00D736726S

(12) **United States Design Patent**
Andersen et al.

(10) **Patent No.:** **US D736,726 S**

(45) **Date of Patent:** **** Aug. 18, 2015**

(54) **CONTAINER**

(71) Applicant: **Andersen-Michaud, LLC**, Presque Isle, ME (US)

(72) Inventors: **Michelle Andersen**, Presque Isle, ME (US); **Kathleen Dahlgren Michaud**, Perham, ME (US)

(73) Assignee: **ANDERSEN-MICHAUD, LLC**, Presque Isle, ME (US)

(**) Term: **14 Years**

(21) Appl. No.: **29/486,356**

(22) Filed: **Mar. 28, 2014**

(51) **LOC (10) Cl.** **13-03**

(52) **U.S. Cl.**
USPC **D13/199**; D13/152; D3/304

(58) **Field of Classification Search**
USPC D13/110, 118, 123, 133, 137.1–137.4, D13/138.1, 138.2, 139.1–139.8, 152, 154, D13/184, 199; D3/304, 312, 318
CPC H01H 2085/2075; Y10S 439/949; Y10S 33/10; F24F 2007/002; H01L 23/04; H01J 19/56

See application file for complete search history.

(56) **References Cited**

U.S. PATENT DOCUMENTS

D245,905 S * 9/1977 Taylor D13/184
D246,872 S * 1/1978 White D3/304

D301,927 S * 6/1989 Williams D3/304
D387,981 S * 12/1997 Mosior et al. D3/304
D531,128 S * 10/2006 Elberson D13/152
D629,365 S * 12/2010 Garcia De Vicuna D13/152
D640,982 S * 7/2011 Dixon et al. D13/152
D702,198 S * 4/2014 Gretz D13/184
D713,797 S * 9/2014 Solomon D13/152
D718,533 S * 12/2014 Leadholm D3/307
D723,473 S * 3/2015 Hagarty D13/152

* cited by examiner

Primary Examiner — Thomas Johannes

Assistant Examiner — Shawn T Gingrich

(74) *Attorney, Agent, or Firm* — Kuta IP Law, LLC; Christine M. Kuta

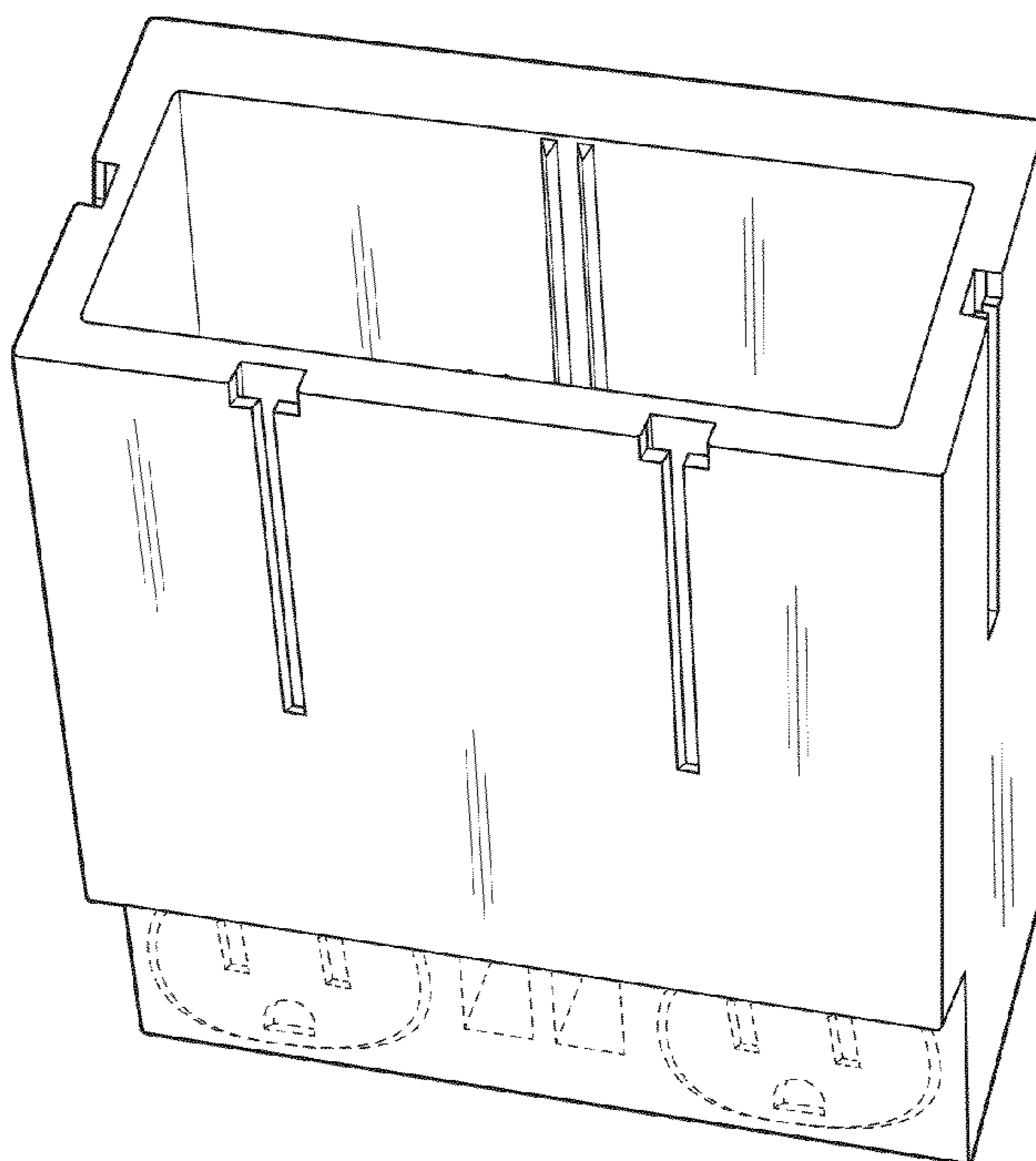
(57) **CLAIM**

The ornamental design for a container, as shown and described.

DESCRIPTION

FIG. 1 is a perspective view of a container showing our new design;
FIG. 2 is a front view thereof;
FIG. 3 is a back view thereof;
FIG. 4 is a left side view thereof;
FIG. 5 is a right side view thereof;
FIG. 6 is a top view thereof; and,
FIG. 7 is a bottom view thereof.
The broken lines are included for the purpose of illustrating unclaimed portions of the container and form no part of the claimed design.

1 Claim, 7 Drawing Sheets



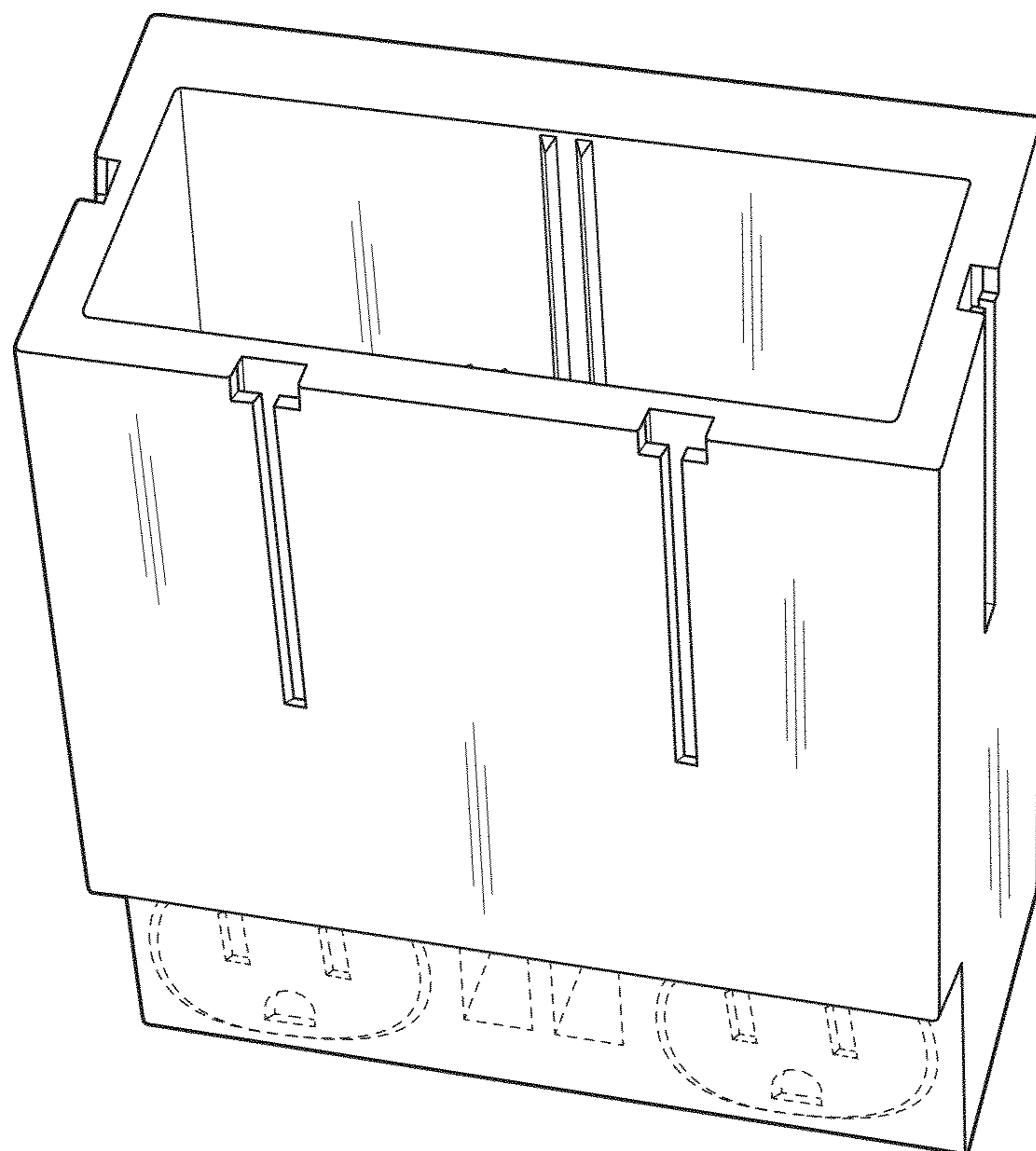


Fig. 1

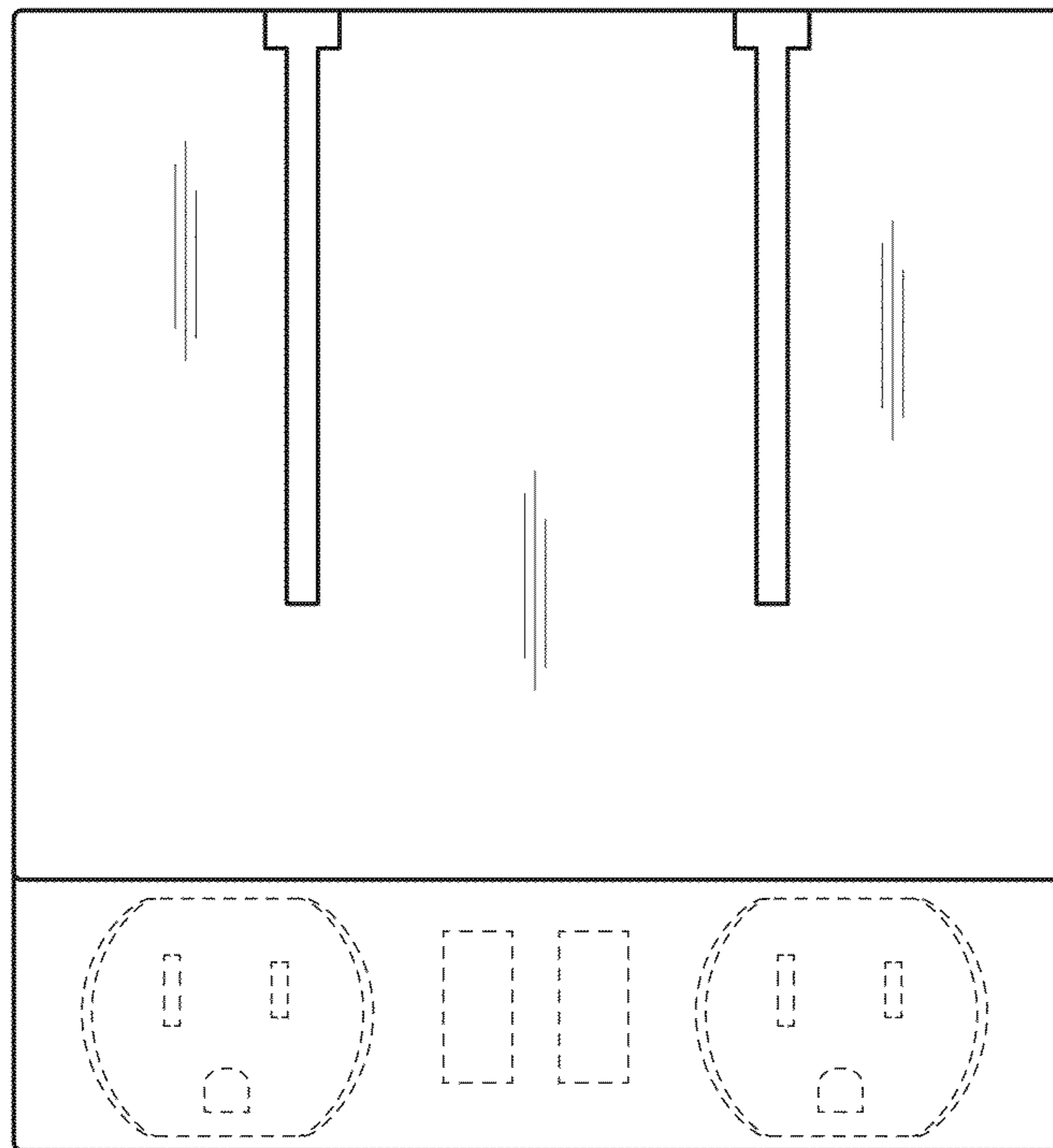


Fig. 2

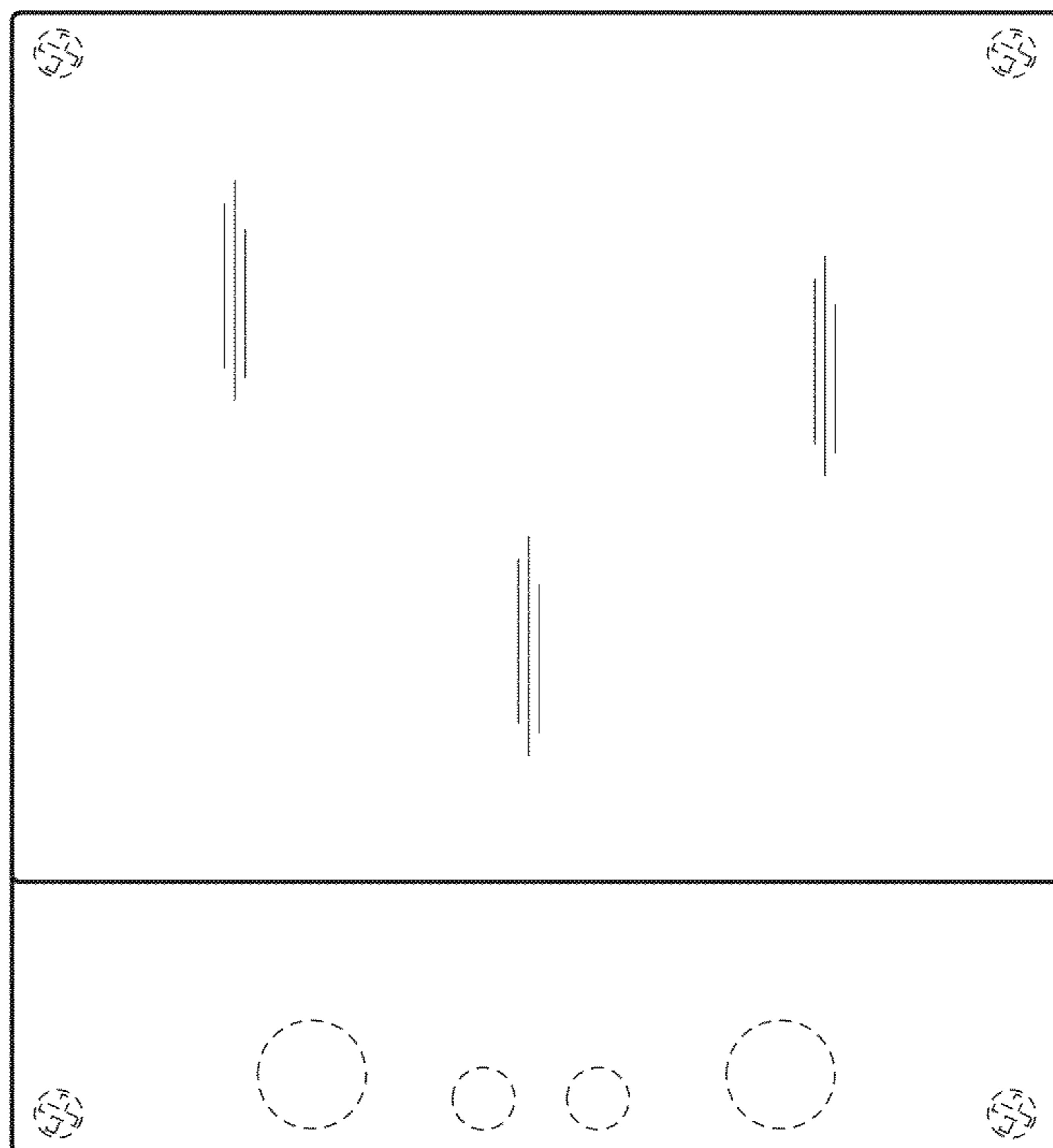


Fig. 3

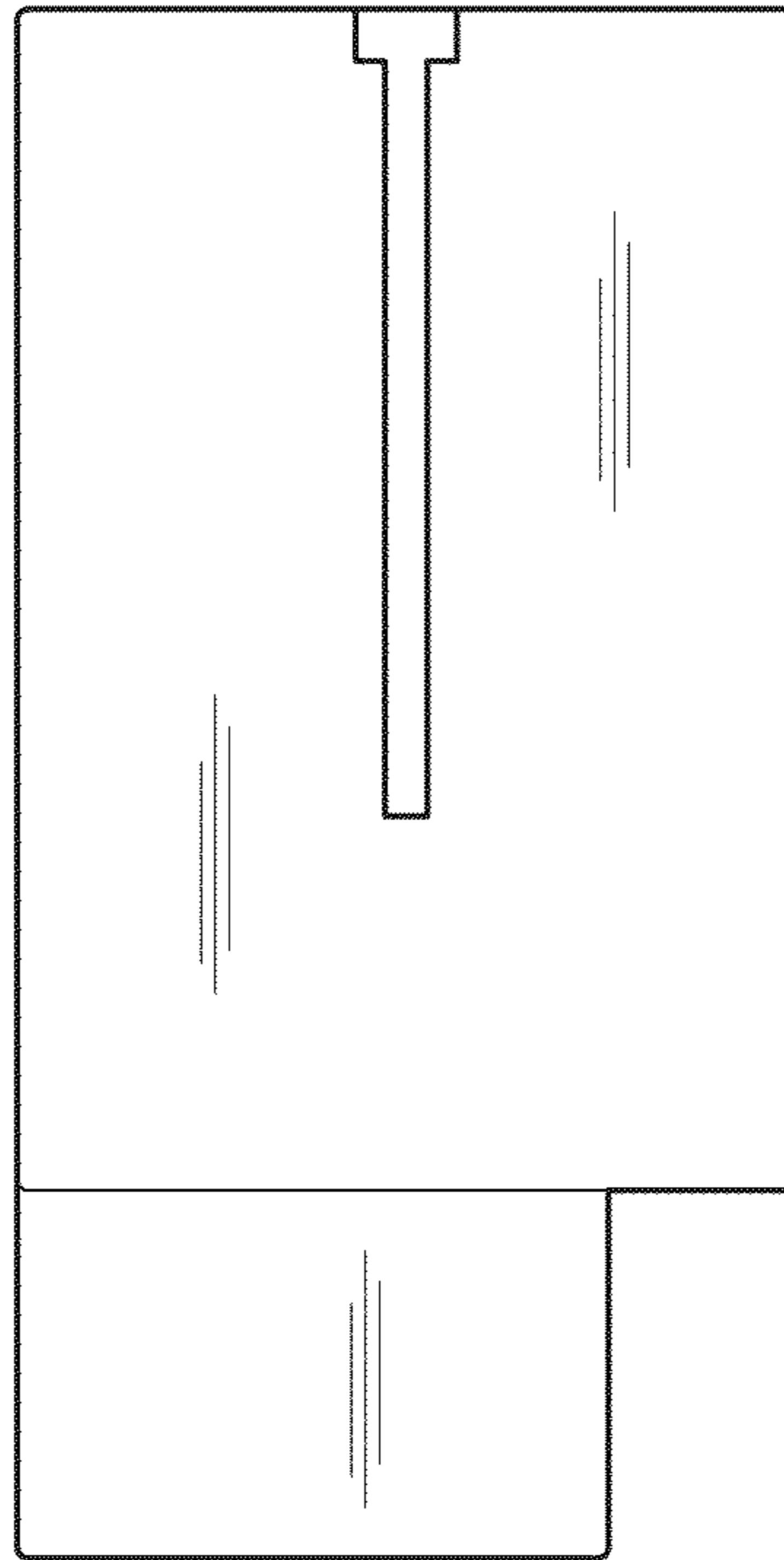


Fig. 4

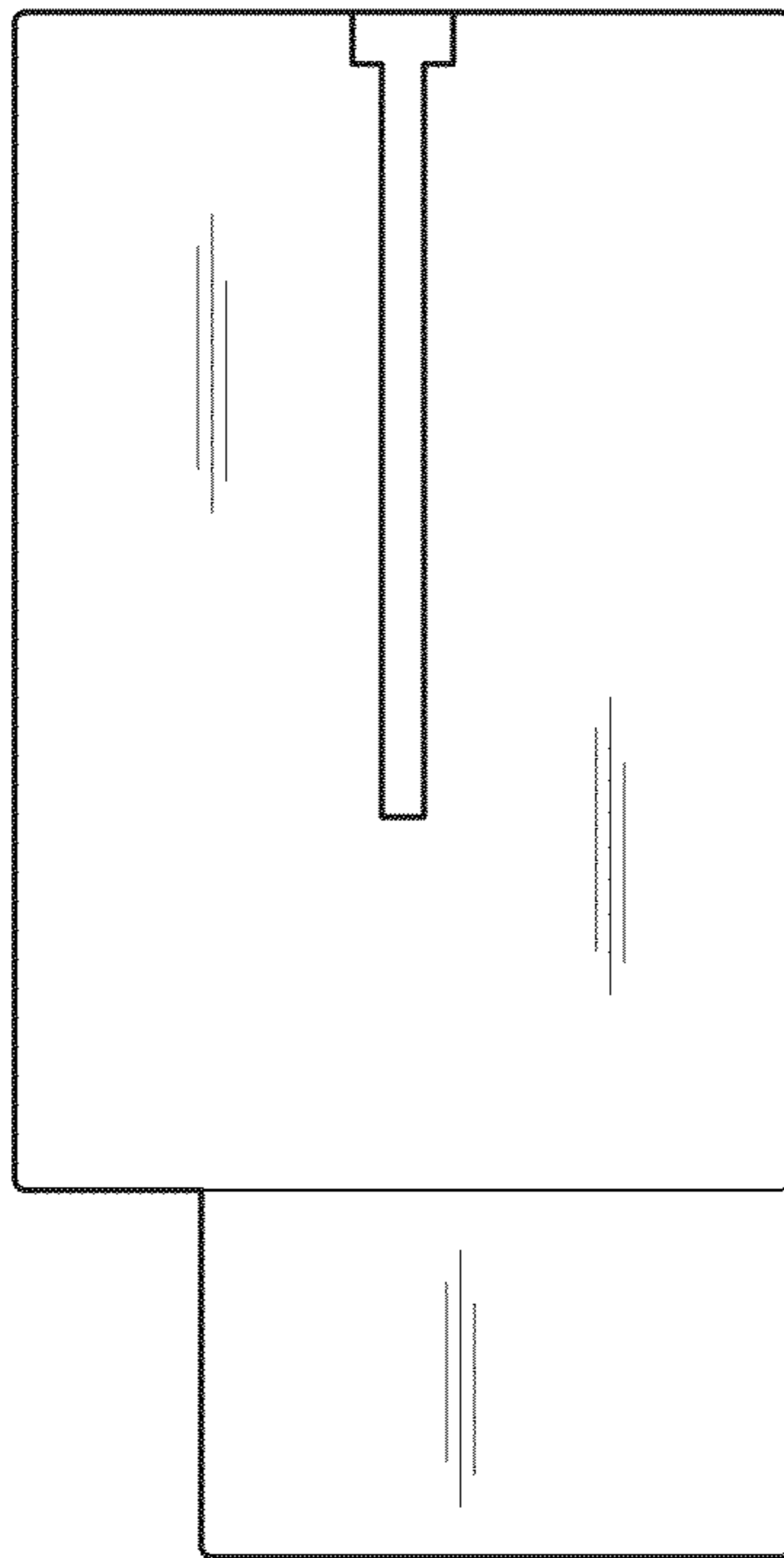


Fig. 5

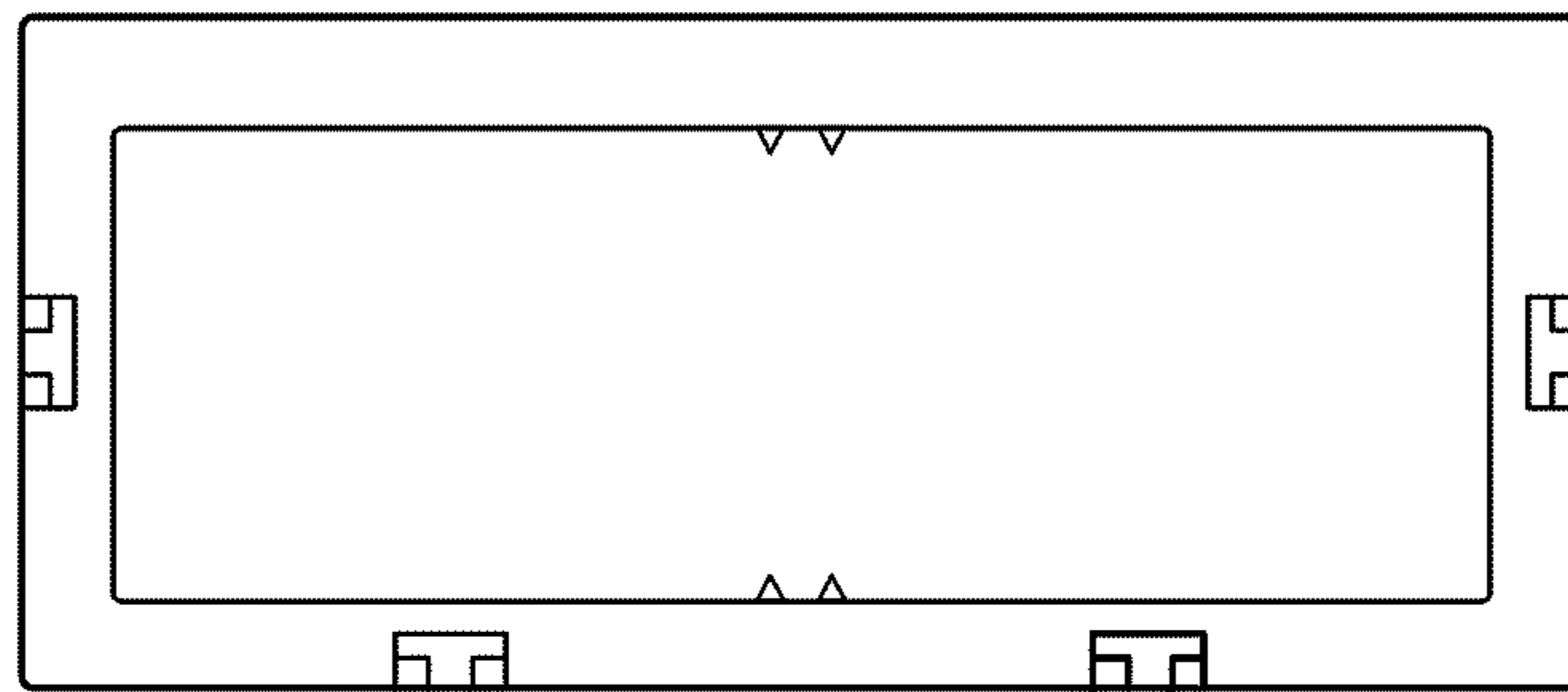


Fig. 6



Fig. 7