

US00D736724S

(12) **United States Design Patent**
Shum et al.

(10) **Patent No.:** **US D736,724 S**

(45) **Date of Patent:** **** Aug. 18, 2015**

(54) **LED LAMP WITH ACCESSORY**

(71) Applicant: **SORAA, INC.**, Fremont, CA (US)

(72) Inventors: **Frank Shum**, Fremont, CA (US);
Clifford Jue, Fremont, CA (US); **Artem Mishin**, Fremont, CA (US); **Zinovy Dolgonosov**, Fremont, CA (US); **George Xie**, Fremont, CA (US); **Michael Ragan Krames**, Fremont, CA (US); **Jinhui Zhai**, Fremont, CA (US)

(73) Assignee: **Soraa, Inc.**, Fremont, CA (US)

(**) Term: **14 Years**

(21) Appl. No.: **29/458,298**

(22) Filed: **Jun. 18, 2013**

Related U.S. Application Data

(63) Continuation-in-part of application No. 29/441,108, filed on Dec. 31, 2012, and a continuation-in-part of application No. 29/454,826, filed on May 14, 2013, which is a continuation-in-part of application No.

(Continued)

(51) **LOC (10) Cl.** **13-03**

(52) **U.S. Cl.**

USPC **D13/179**; D26/2

(58) **Field of Classification Search**

USPC D13/179; D26/2, 113, 118; 165/80.3, 165/104.26, 104.33, 122, 151, 185; 257/706, 707, 718-722; 313/46; 315/52; 361/695, 697, 700, 702, 704, 361/709, 710, 711, 719

CPC F21V 7/20; F21V 29/22; F21V 29/74; F21V 29/75; F21V 29/77; F21K 9/13; F21K 9/135; F21K 9/137; F21K 9/1375

See application file for complete search history.

(56) **References Cited**

U.S. PATENT DOCUMENTS

3,874,443 A * 4/1975 Bayer, Jr. 165/47
6,204,602 B1 3/2001 Yang et al.
6,864,572 B2 * 3/2005 Lee et al. 257/717

(Continued)

FOREIGN PATENT DOCUMENTS

WO WO 2011/054716 5/2011

OTHER PUBLICATIONS

International Preliminary Report & Written Opinion of PCT Application No. PCT/US2011/060030 dated Mar. 21, 2012, 11 pgs. total.

(Continued)

Primary Examiner — Selina Sikder

(74) *Attorney, Agent, or Firm* — Saul Ewing LLP

(57) **CLAIM**

The ornamental design for LED lamp with accessory, as shown and described.

DESCRIPTION

FIG. 1 is a perspective view of an LED lamp with accessory showing our new design;

FIG. 2 is another perspective view thereof;

FIG. 3 is a side elevational view from a front side thereof;

FIG. 4 is a side elevational view from a rear side thereof;

FIG. 5 is a side elevational view from a left side thereof;

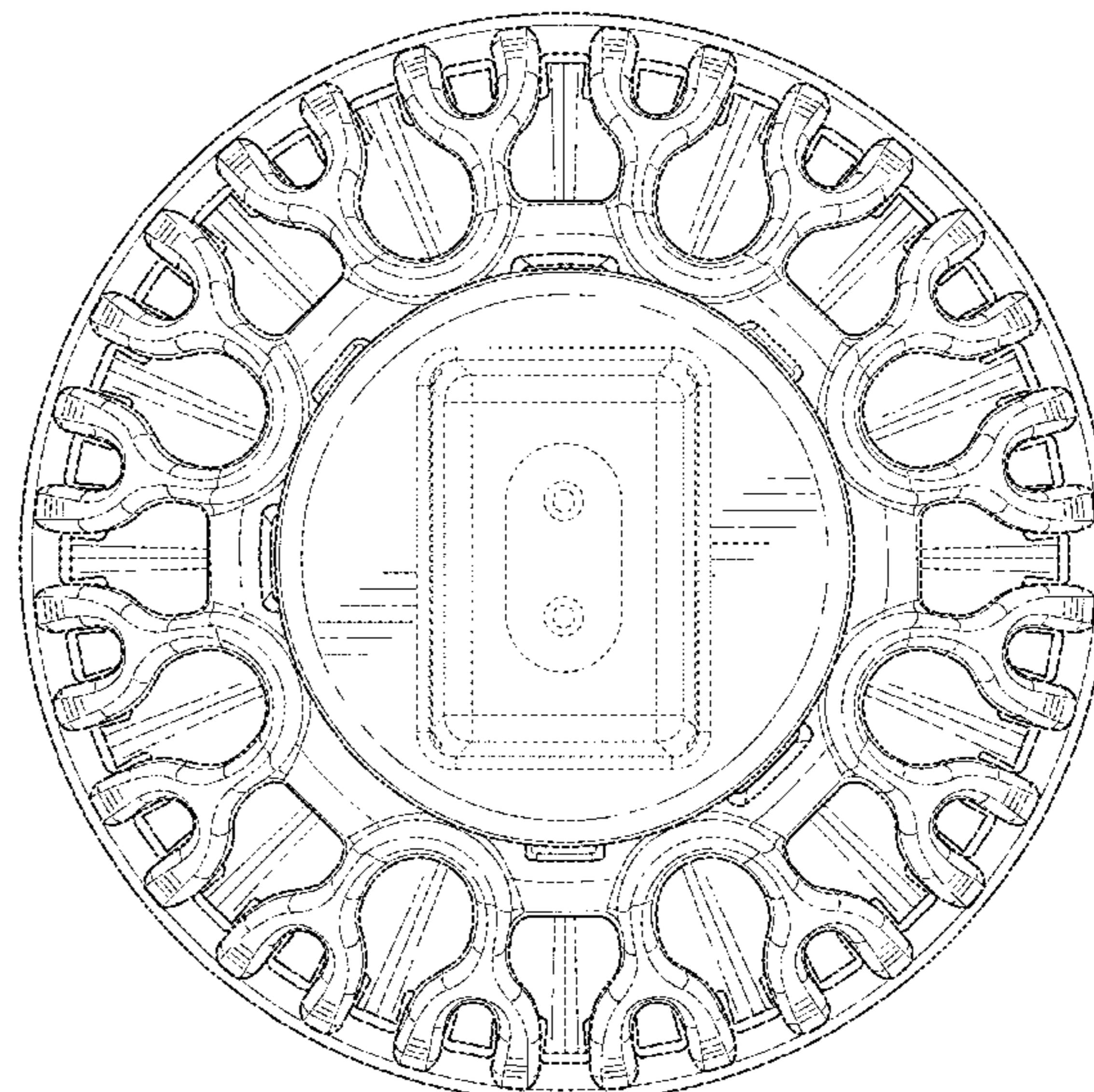
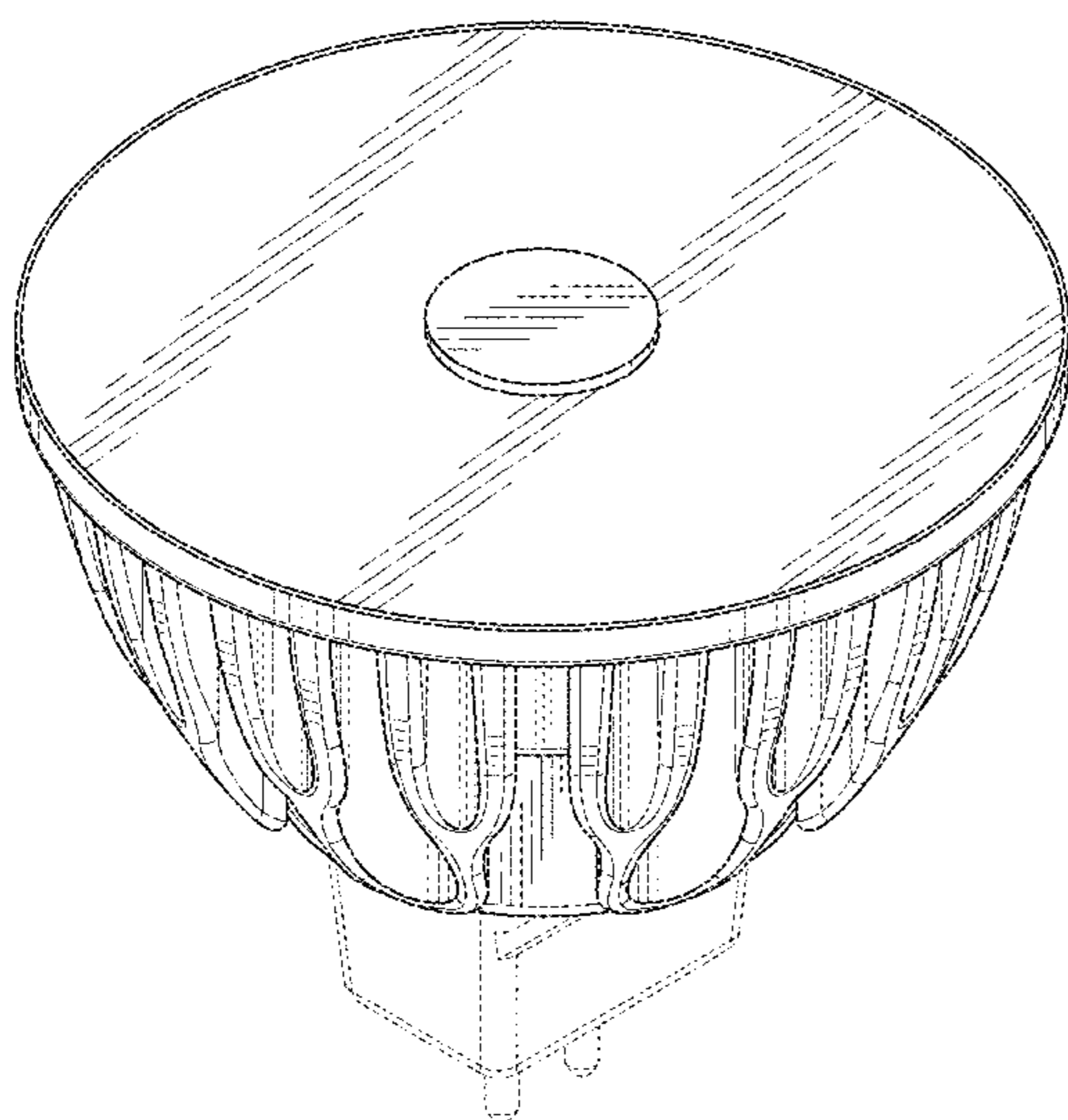
FIG. 6 is a side elevational view from a right side thereof;

FIG. 7 is a top plan view thereof; and,

FIG. 8 is a bottom plan view thereof.

The broken lines in the figures represent unclaimed subject matter and form no part of the claimed design.

1 Claim, 8 Drawing Sheets



Related U.S. Application Data

29/441,108, filed on Dec. 31, 2012, and a continuation-in-part of application No. 29/423,725, filed on Jun. 4, 2012, now Pat. No. Des. 694,722, and a continuation-in-part of application No. 29/399,523, filed on Aug. 15, 2011, now Pat. No. Des. 662,899, and a continuation-in-part of application No. 29/399,524, filed on Aug. 15, 2011, now Pat. No. Des. 662,900.

(56)

References Cited

U.S. PATENT DOCUMENTS

7,388,751	B2 *	6/2008	Hood et al.	361/704
7,431,071	B2 *	10/2008	Wenger	165/47
7,753,107	B2 *	7/2010	Zhou et al.	165/80.3
8,049,122	B2 *	11/2011	Watford	200/302.2
D652,564	S *	1/2012	Maxik	D26/118
D662,899	S *	7/2012	Shum et al.	D13/179
D662,900	S *	7/2012	Shum et al.	D13/179
8,227,962	B1	7/2012	Su	
8,272,762	B2	9/2012	Maxik et al.	
D674,960	S *	1/2013	Chen et al.	D26/113
8,405,947	B1	3/2013	Green et al.	
8,414,151	B2	4/2013	Allen et al.	
8,525,396	B2	9/2013	Shum et al.	
D694,722	S *	12/2013	Shum et al.	D13/179
2003/0039122	A1	2/2003	Cao	
2003/0183835	A1 *	10/2003	Moku et al.	257/99
2004/0264195	A1	12/2004	Chang et al.	
2005/0122690	A1 *	6/2005	Hood et al.	361/709
2005/0214992	A1	9/2005	Chakraborty et al.	
2006/0028310	A1 *	2/2006	Asano et al.	335/220
2006/0175045	A1 *	8/2006	Chen	165/104.33
2007/0007898	A1	1/2007	Bruning	
2007/0284564	A1	12/2007	Biwa et al.	
2008/0049399	A1	2/2008	Lu et al.	
2008/0080137	A1	4/2008	Otsuki et al.	

2008/0142781	A1	6/2008	Lee	
2008/0164489	A1	7/2008	Schmidt et al.	
2008/0266866	A1	10/2008	Tsai	
2009/0161356	A1	6/2009	Negley et al.	
2009/0194252	A1 *	8/2009	Lee et al.	165/67
2009/0195186	A1	8/2009	Guest et al.	
2009/0244899	A1	10/2009	Chyn	
2010/0207502	A1	8/2010	Cao et al.	
2010/0264799	A1	10/2010	Liu et al.	
2011/0018418	A1 *	1/2011	Yoo	313/46
2011/0095686	A1	4/2011	Falicoff et al.	
2011/0169406	A1	7/2011	Weekamp et al.	
2011/0175510	A1	7/2011	Rains, Jr. et al.	
2011/0242823	A1	10/2011	Tracy et al.	
2012/0161626	A1	6/2012	van de Ven et al.	
2013/0322089	A1 *	12/2013	Martis et al.	362/311.02
2013/0343062	A1 *	12/2013	Shum et al.	362/311.02
2014/0091697	A1 *	4/2014	Shum	313/46
2014/0175966	A1 *	6/2014	Tan	313/46

OTHER PUBLICATIONS

CFL Ballast IC Drive LED', www.placardshop.com, Blog, May 22, 2012, 3 pgs.
 Rausch, 'Use a CFL ballast to drive LEDs', EDN Network, 2007, pp. 1-2.
 USPTO Office Action for U.S. Appl. No. 12/785,953 dated Jan. 11, 2013, 15 pages.
 USPTO Notice of Allowance for U.S. Appl. No. 13/025,791 dated Jun. 17, 2013, 8 pages.
 USPTO Office Action for U.S. Appl. No. 13/025,833 dated Apr. 26, 2013, 23 pages.
 USPTO Notice of Allowance for U.S. Appl. No. 13/025,849 dated Sep. 16, 2013, 10 pages.
 USPTO Office Action for U.S. Appl. No. 13/274,489 dated Sep. 6, 2013, 13 pages.
 USPTO Office Action for U.S. Appl. No. 13/535,142 dated Aug. 1, 2013, 14 pages.

* cited by examiner

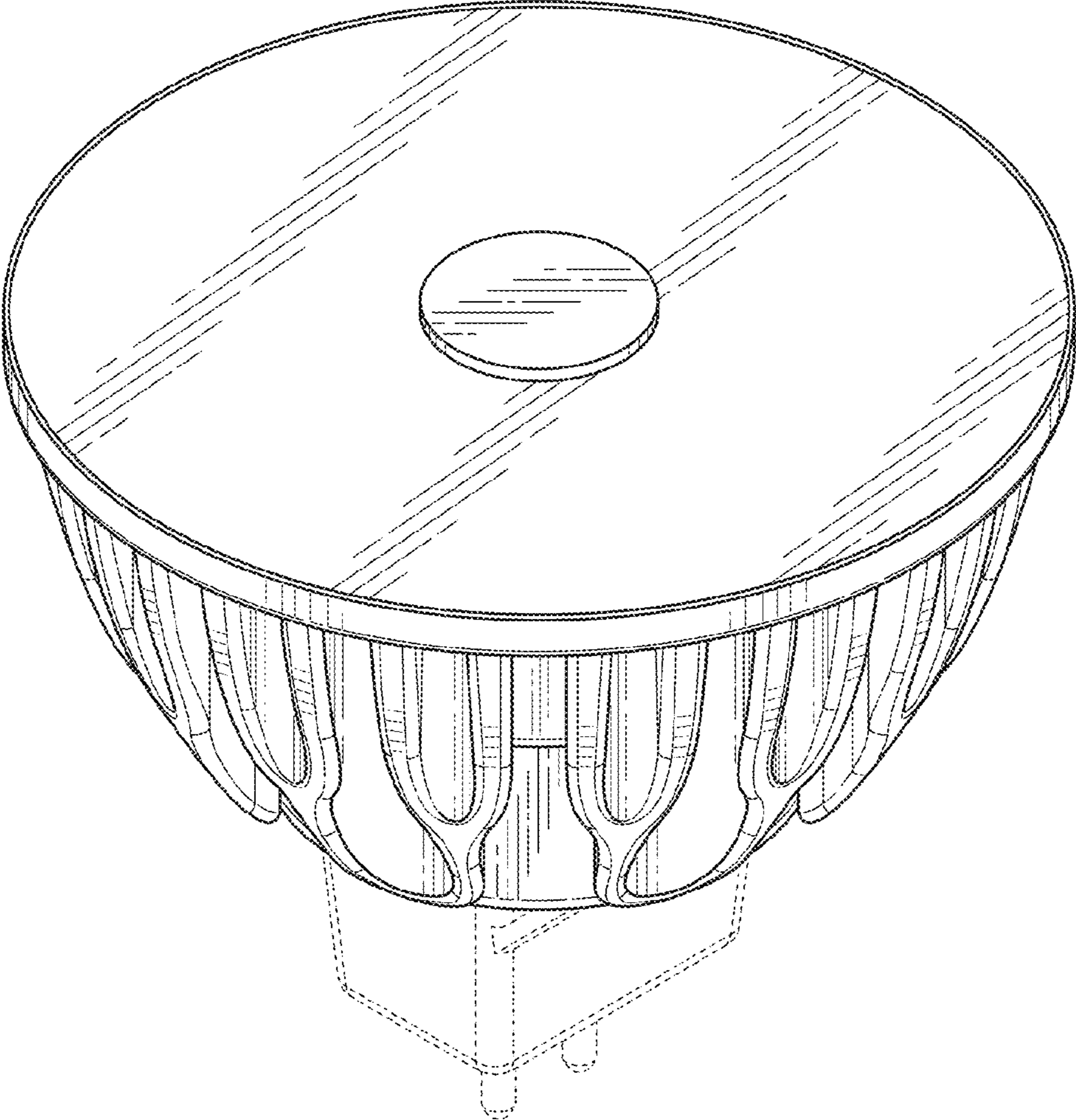


FIG. 1

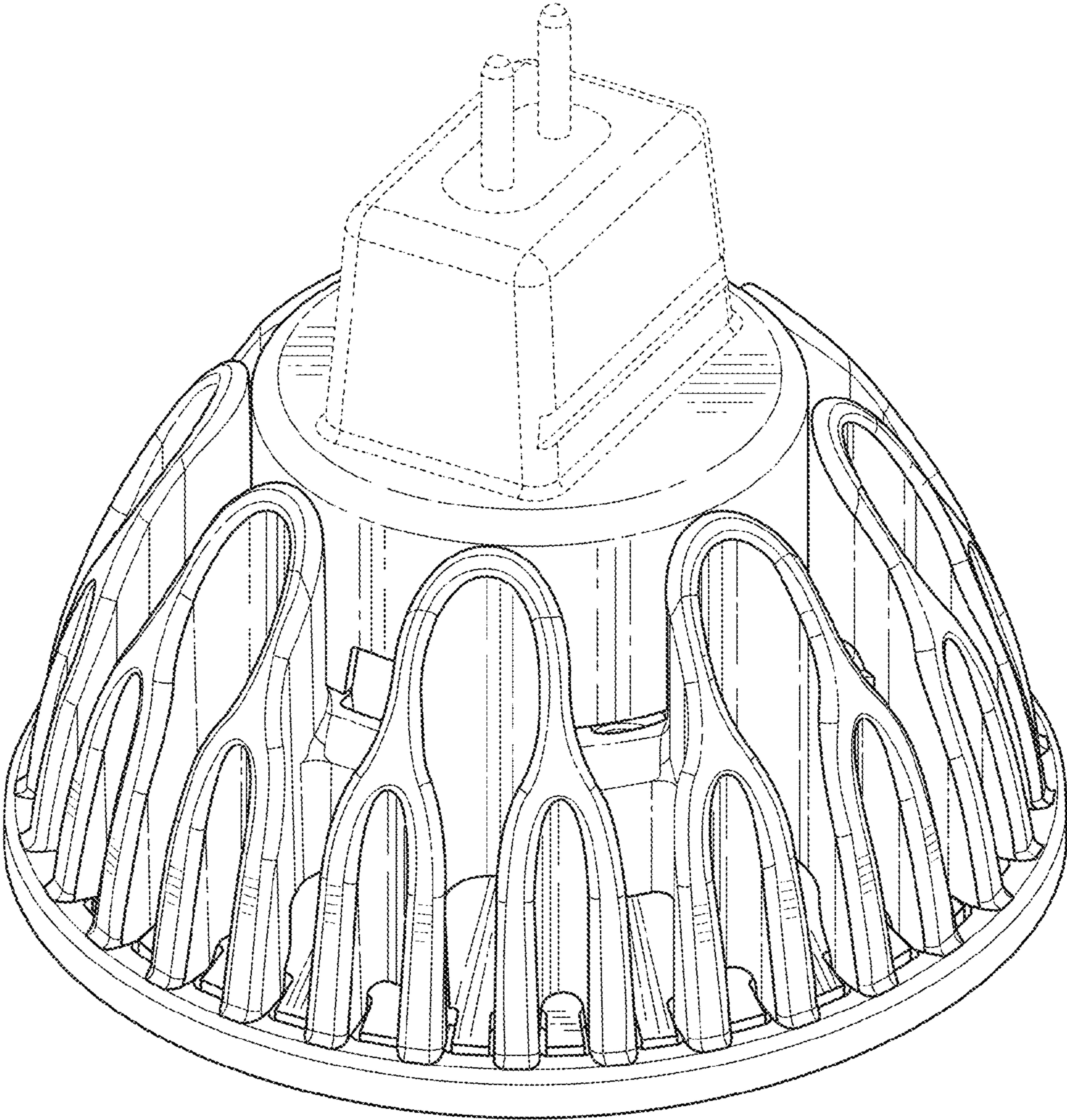


FIG. 2

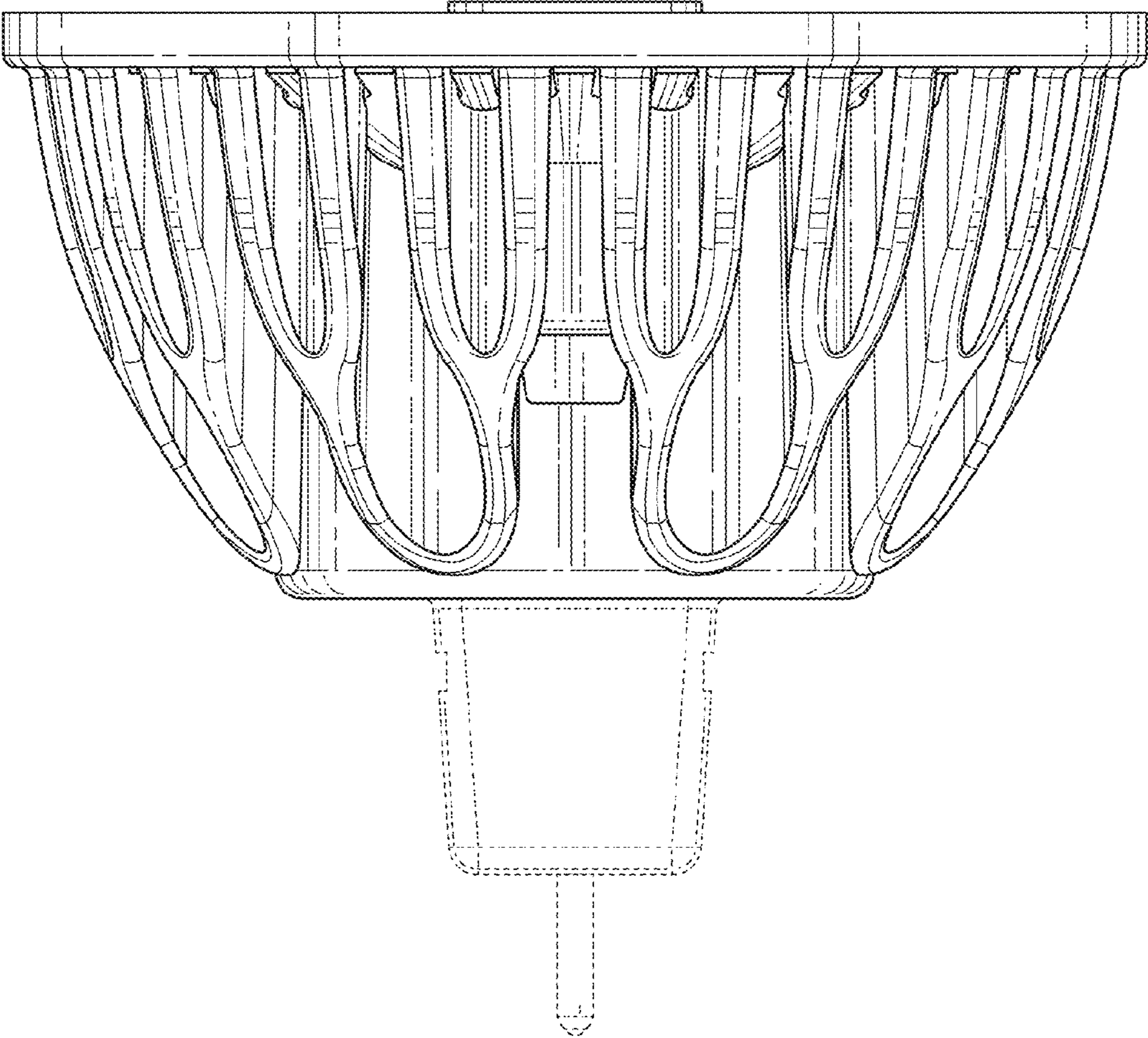


FIG. 3

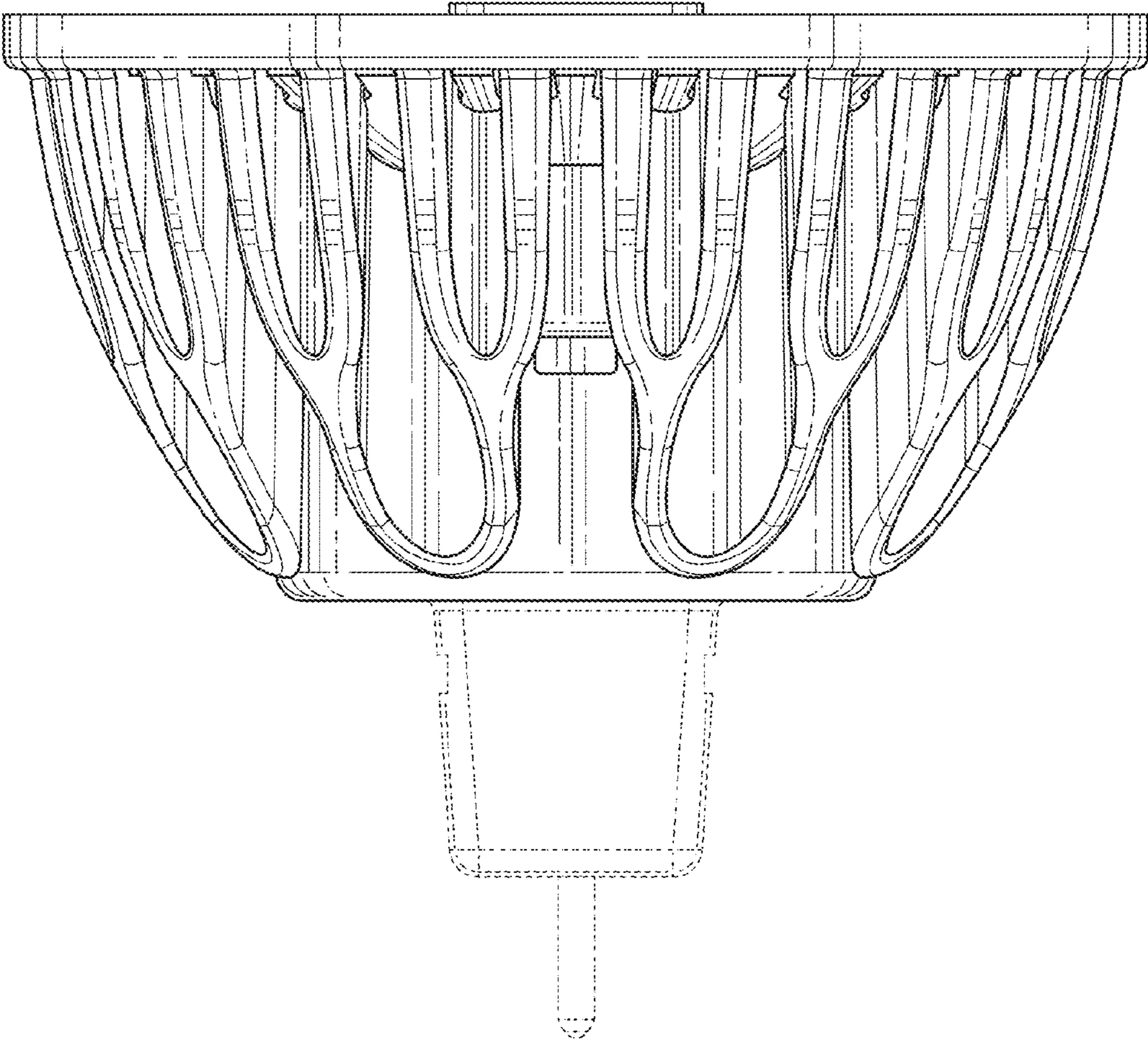


FIG. 4

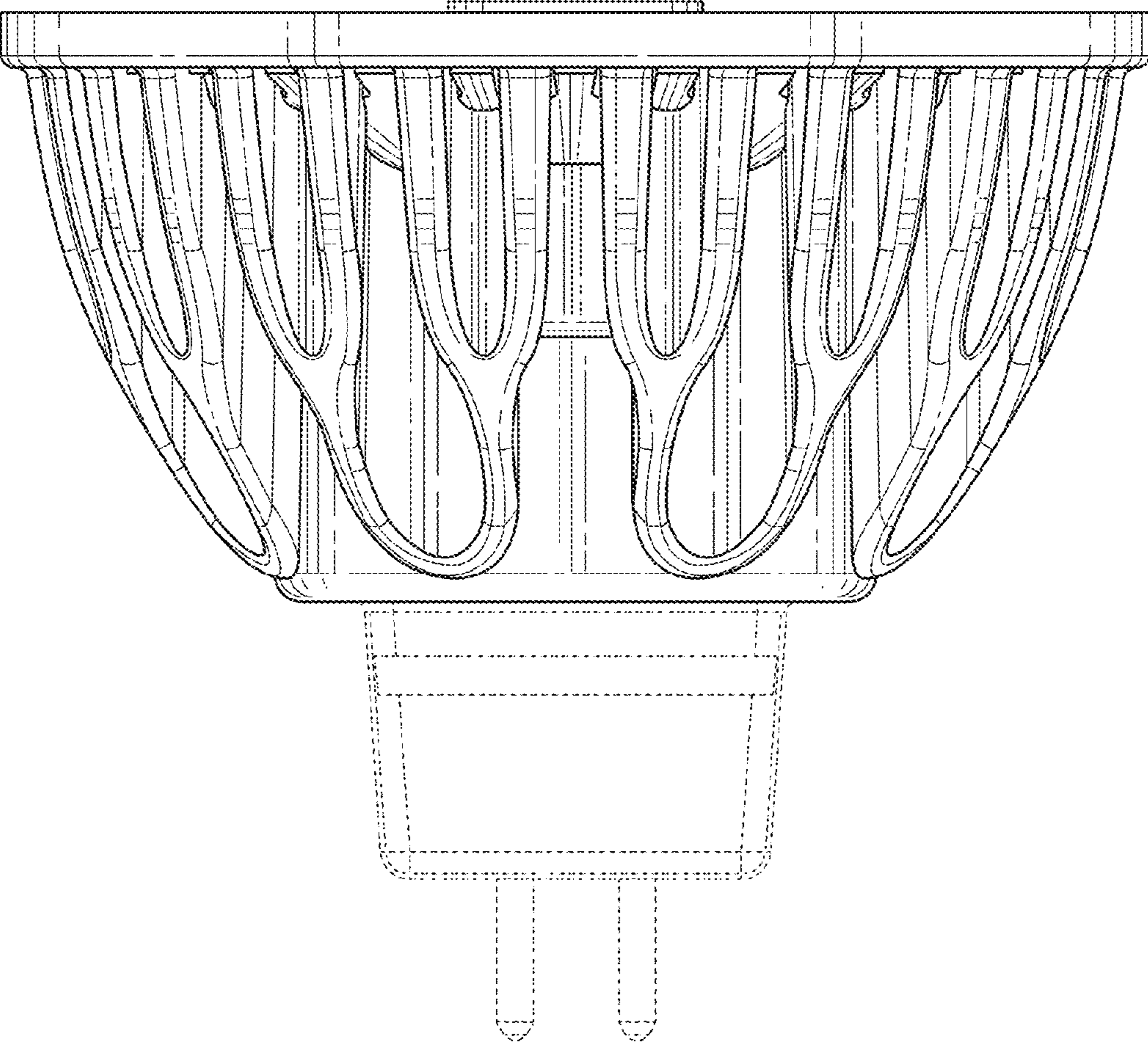


FIG. 5

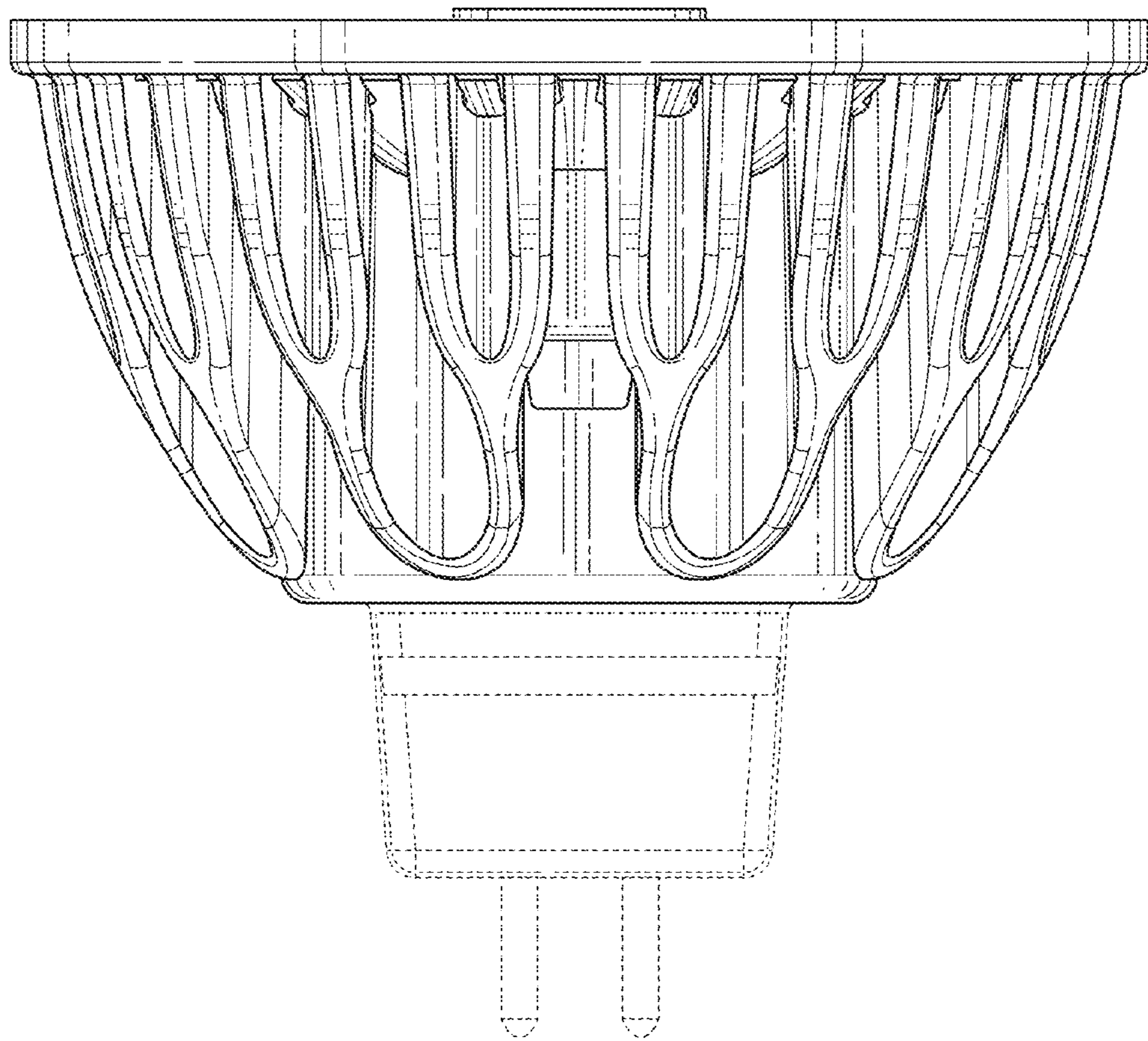


FIG. 6

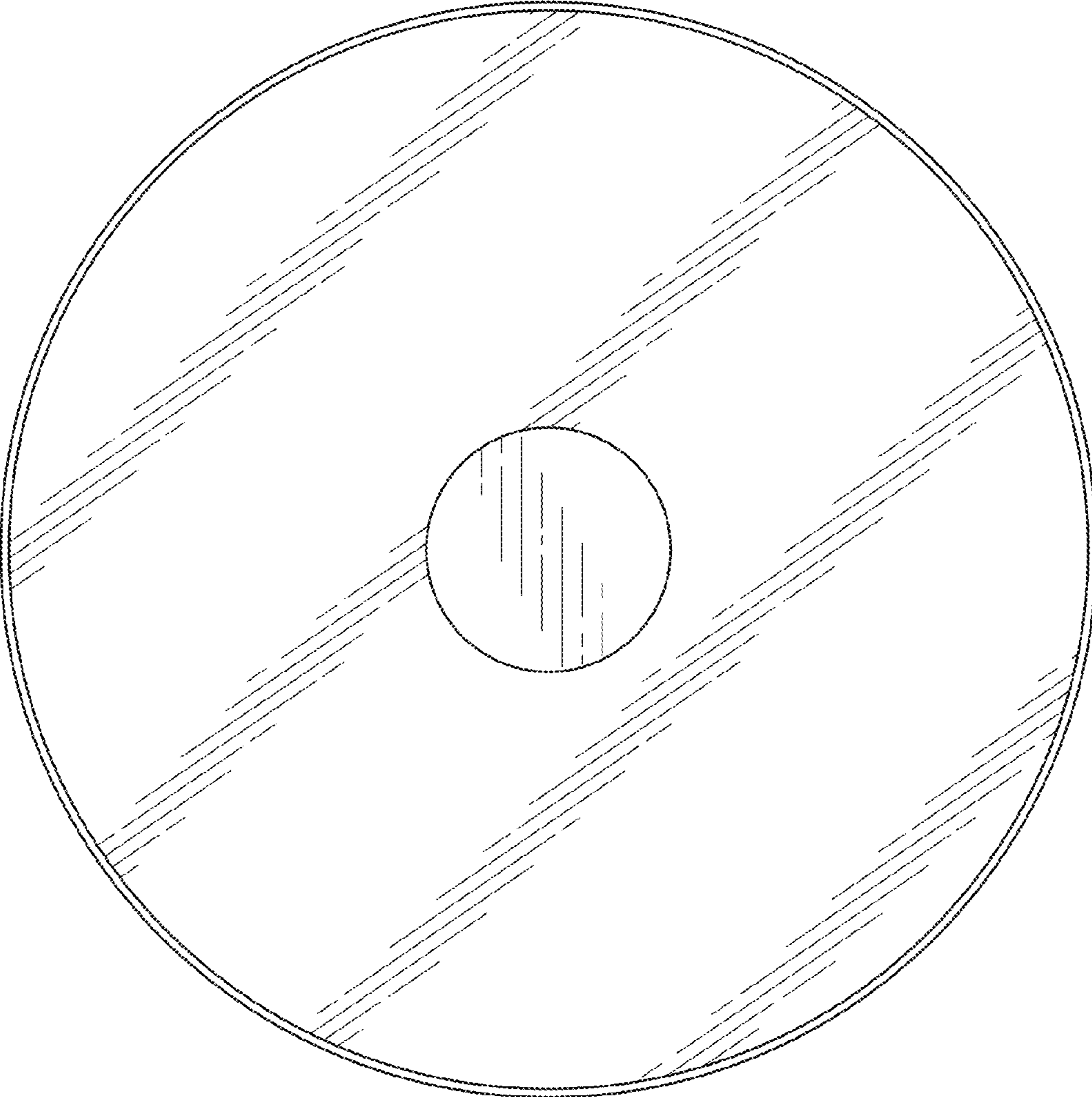


FIG. 7

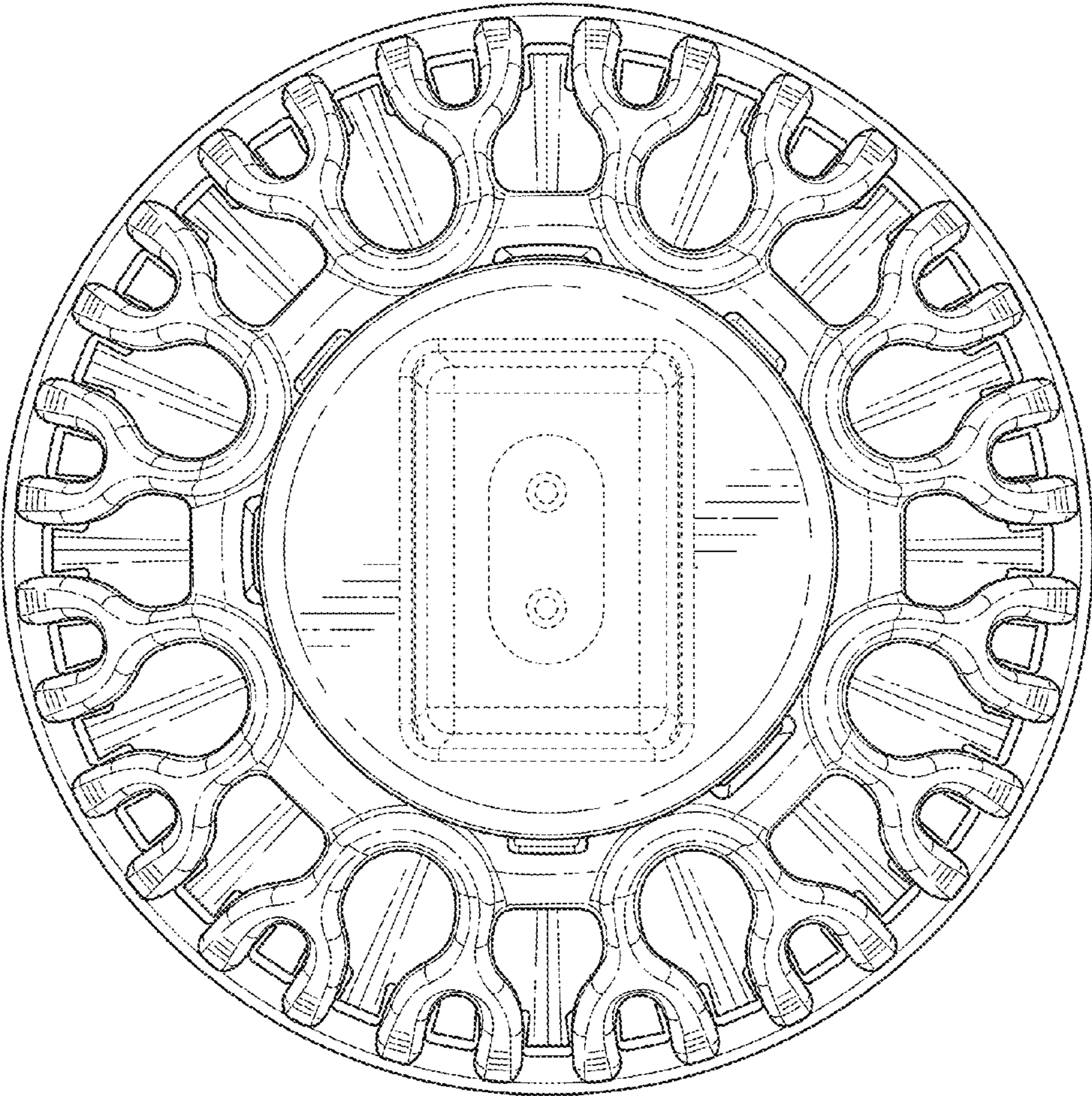


FIG. 8