

US00D736721S

(12) **United States Design Patent**
Gassner

(10) **Patent No.:** **US D736,721 S**
(45) **Date of Patent:** **** Aug. 18, 2015**

- (54) **WIRED TOUCHSCREEN HAND CONTROLLER WITH BASE**
- (71) Applicant: **LIMOSS (SHENZHEN) CO., LTD,**
Shenzhen, Guangdong (CN)
- (72) Inventor: **Christian Gassner,** Shenzhen (CN)
- (73) Assignee: **LIMOSS (SHENZHEN) CO., LTD,**
Shenzhen (CN)
- (**) Term: **14 Years**
- (21) Appl. No.: **29/496,761**
- (22) Filed: **Jul. 17, 2014**
- (30) **Foreign Application Priority Data**
Apr. 23, 2014 (CN) 2014 3 0101383
- (51) **LOC (10) Cl.** **14-03**
- (52) **U.S. Cl.**
USPC **D13/168**
- (58) **Field of Classification Search**
USPC D13/107, 168; D6/300, 308; D10/49,
D10/50, 104.1, 106.1, 106.95; D14/126,
D14/129, 336, 337, 341, 371, 375, 218
CPC A47C 20/041; A47C 31/008; G05B
19/0426; G05B 19/409; G05B 15/02; G06F
1/1601; G06F 3/041; G06F 3/044; G06F
3/0482; G06F 3/0488; G06F 3/0489; G05D
23/1902; G05D 23/1905; G05D 23/1931;
G02F 1/33308; H01H 9/02; H05B 37/02;
H02J 7/0042; H02J 7/0044; H02J 7/025
See application file for complete search history.

- (56) **References Cited**
U.S. PATENT DOCUMENTS
D321,855 S * 11/1991 Ross, Jr. D13/107
7,047,092 B2 * 5/2006 Wimsatt 700/83
D546,280 S * 7/2007 Marchetto et al. D13/107

D562,259	S	*	2/2008	Kosche	D13/162
D568,257	S	*	5/2008	Tatsuyama et al.	D13/162
D614,871	S	*	5/2010	Tang et al.	D6/308
D625,928	S	*	10/2010	Lee et al.	D6/308
8,188,707	B2	*	5/2012	McBurney	320/107
8,253,375	B2	*	8/2012	Zhang et al.	320/107
D668,650	S	*	10/2012	Han	D14/341
D672,768	S	*	12/2012	Huang et al.	D14/341
D677,660	S	*	3/2013	Groene et al.	D14/341
D684,872	S	*	6/2013	Bias et al.	D10/49
D687,388	S	*	8/2013	Baumgartner et al.	D13/162
D690,661	S	*	10/2013	Wisniewski et al.	D13/162
8,565,934	B2	*	10/2013	Rawls-Meehan	700/302
D694,195	S	*	11/2013	Gammon et al.	D13/162
8,610,398	B2	*	12/2013	Lee et al.	320/108
8,909,357	B2	*	12/2014	Rawls-Meehan	700/17
D727,271	S	*	4/2015	Shi et al.	D13/162
D727,857	S	*	4/2015	Acera et al.	D13/162
D729,163	S	*	5/2015	Meyer	D13/123
D729,793	S	*	5/2015	Hickok et al.	D14/336
2006/0055681	A1	*	3/2006	West et al.	345/173
2012/0146571	A1	*	6/2012	Hsu et al.	320/101
2013/0161489	A1	*	6/2013	Gardner, Jr.	250/208.1

(Continued)

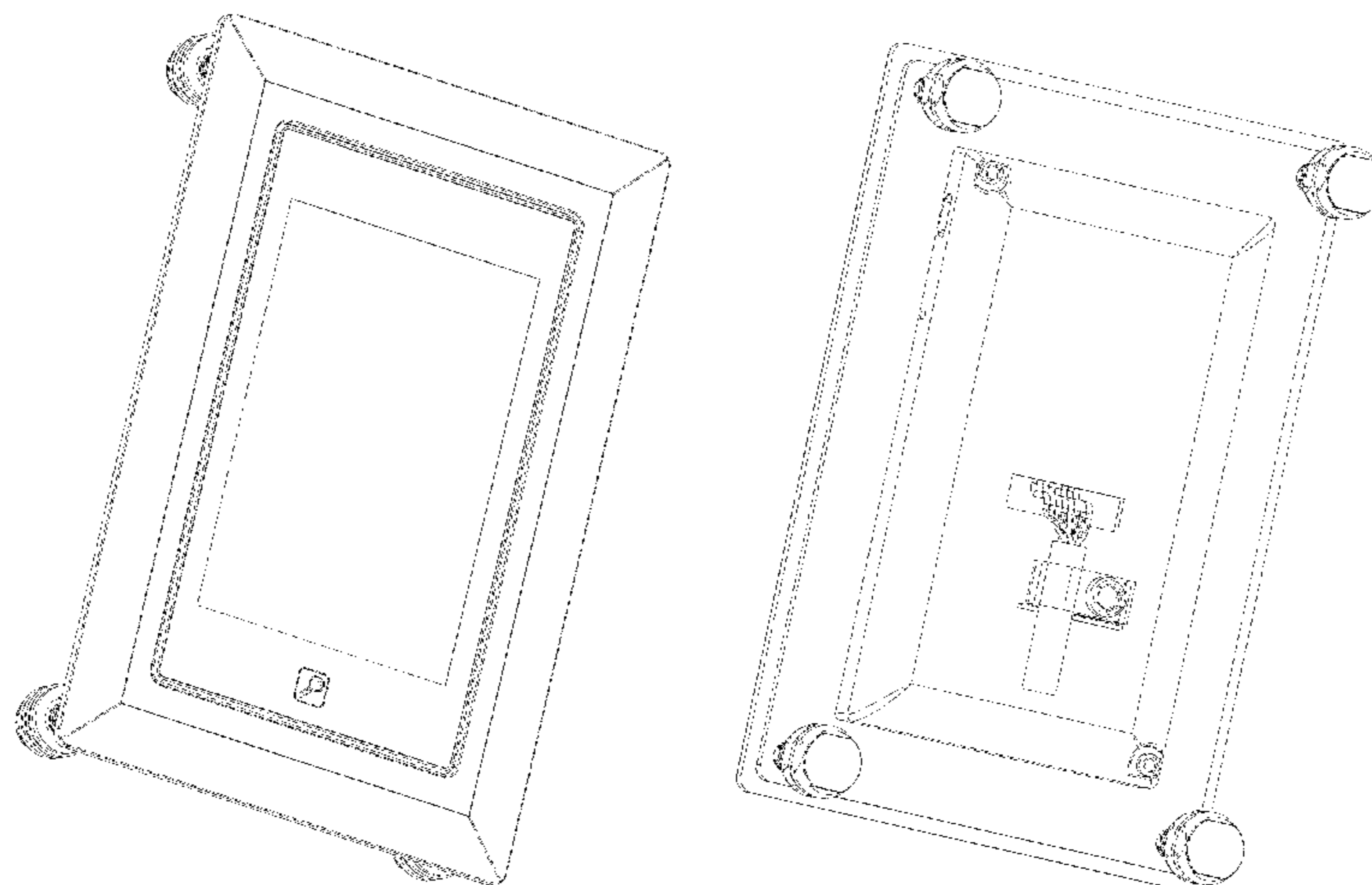
Primary Examiner — Selina Sikder

(57) **CLAIM**
The ornamental design for a wired touchscreen hand controller with base, as shown and described.

DESCRIPTION

FIG. 1 is a front elevation view of a wired touchscreen hand controller with base showing my new design;
FIG. 2 is a rear elevation view thereof;
FIG. 3 is a left side view thereof;
FIG. 4 is a right side view thereof;
FIG. 5 is a top plan view thereof;
FIG. 6 is a bottom plan view thereof;
FIG. 7 is a first perspective view thereof;
FIG. 8 is a second perspective view thereof;
FIG. 9 is a third perspective view thereof; and,
FIG. 10 is a fourth perspective view thereof.

1 Claim, 10 Drawing Sheets



(56)

References Cited

U.S. PATENT DOCUMENTS

2013/0184880	A1 *	7/2013	McMahon	700/286	2014/0074296	A1 *	3/2014	Yum et al.	700/275
2013/0187607	A1 *	7/2013	Wang et al.	320/115	2014/0184978	A1 *	7/2014	Yu et al.	349/58
2014/0070707	A1 *	3/2014	Nagazoe	315/151	2014/0239843	A1 *	8/2014	Hoang	315/291
						2014/0265897	A1 *	9/2014	Taipale et al.	315/200 R
						2015/0076991	A1 *	3/2015	Yamamoto et al.	315/153

* cited by examiner

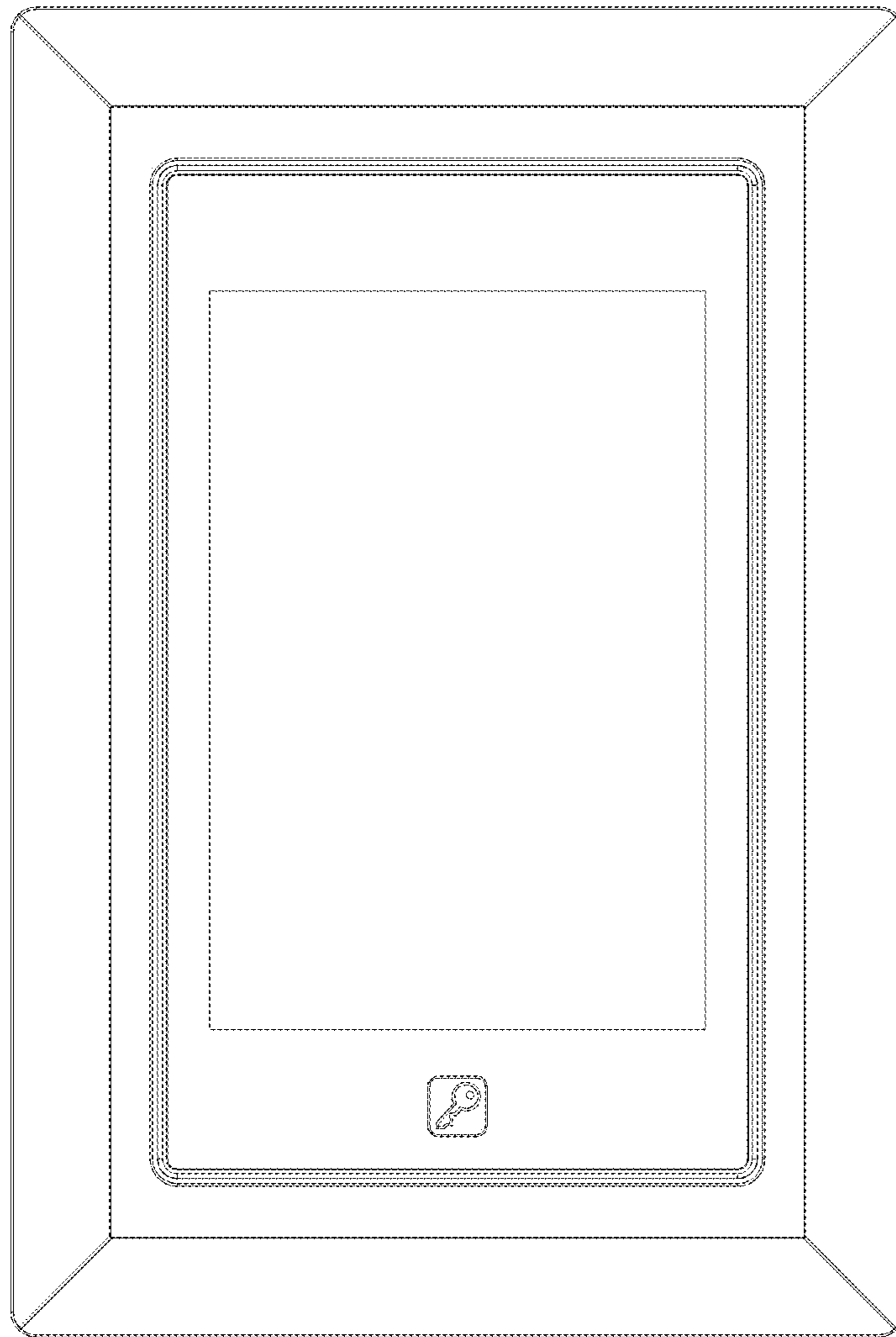


Fig 1

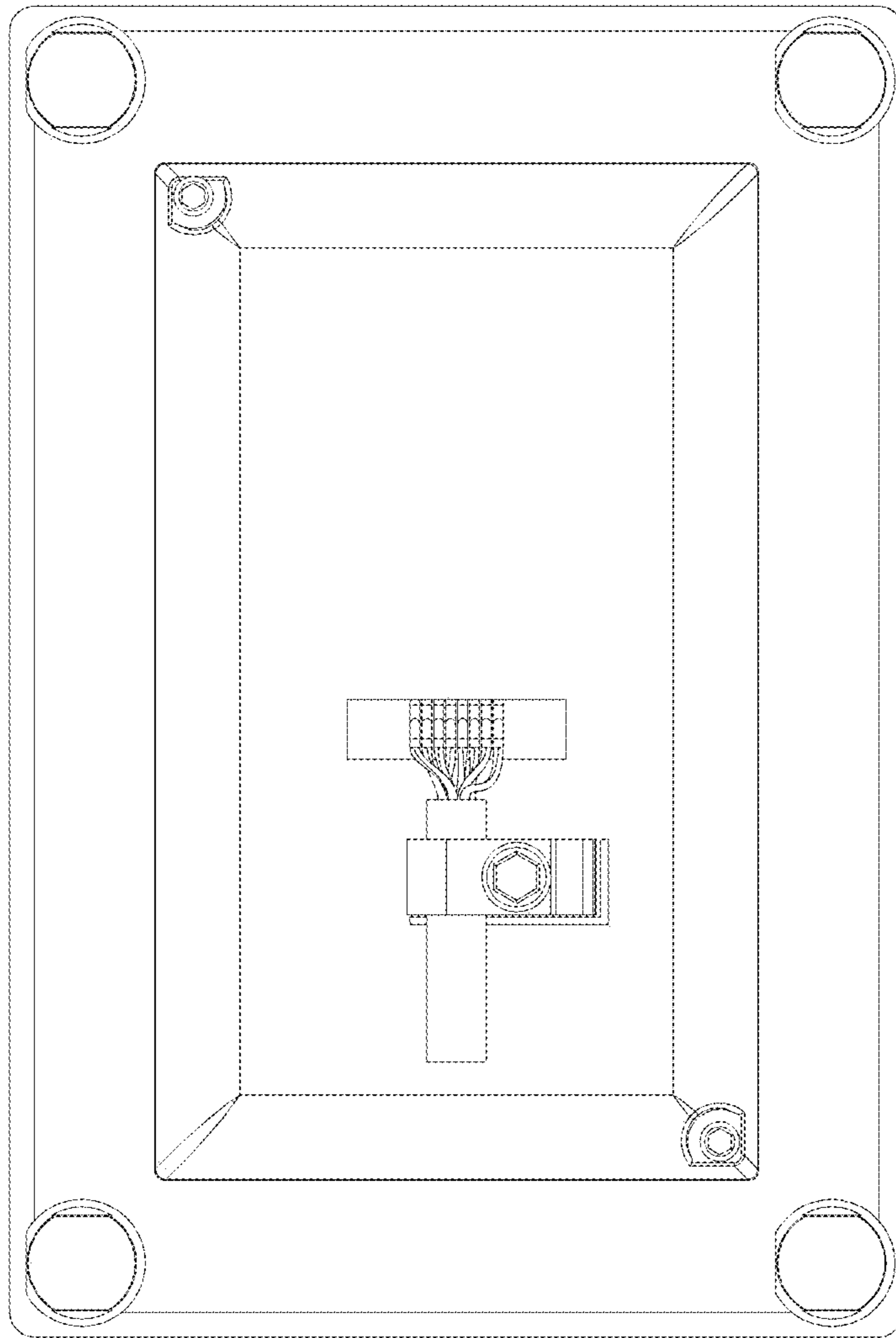


Fig 2

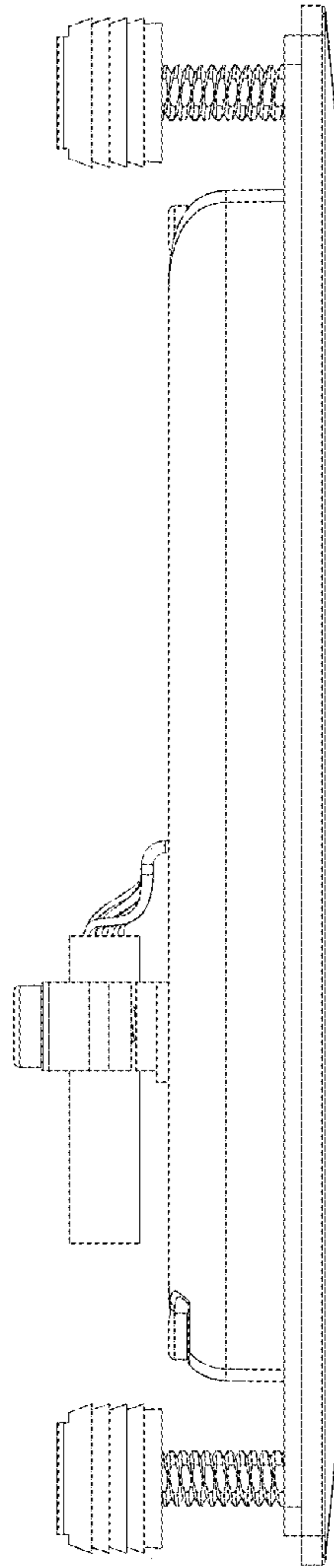


Fig 3

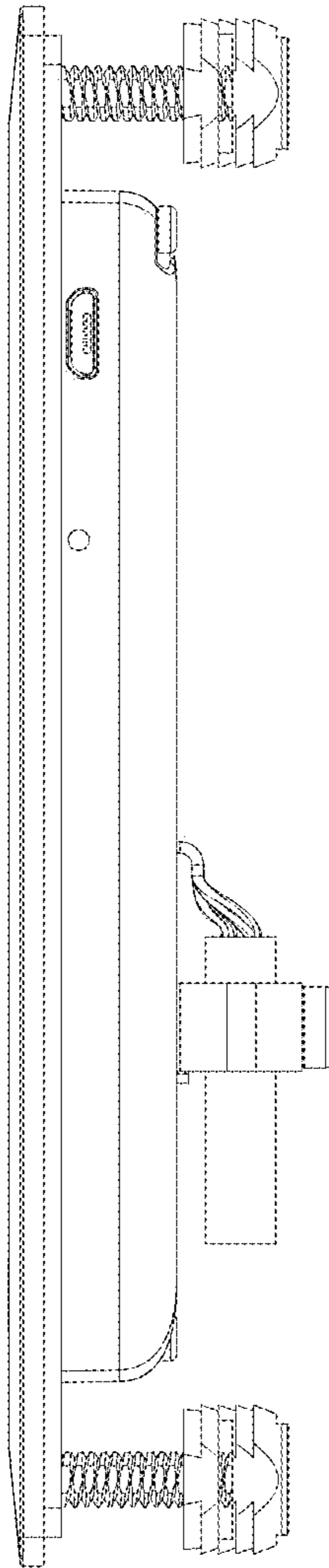


Fig 4

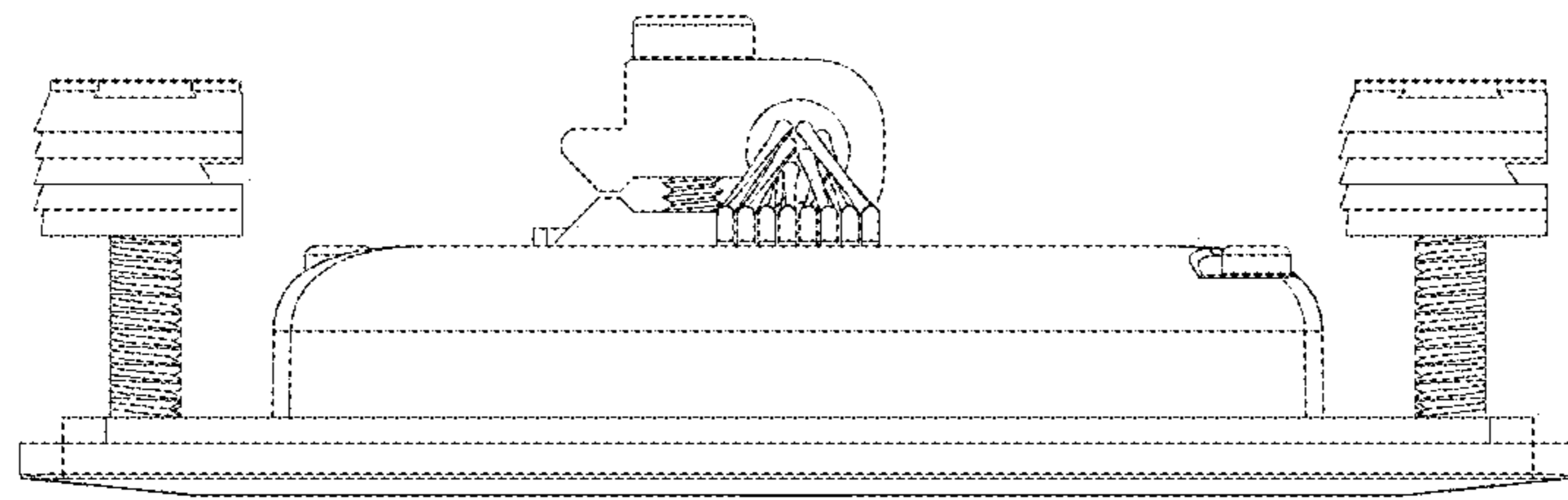


Fig 5

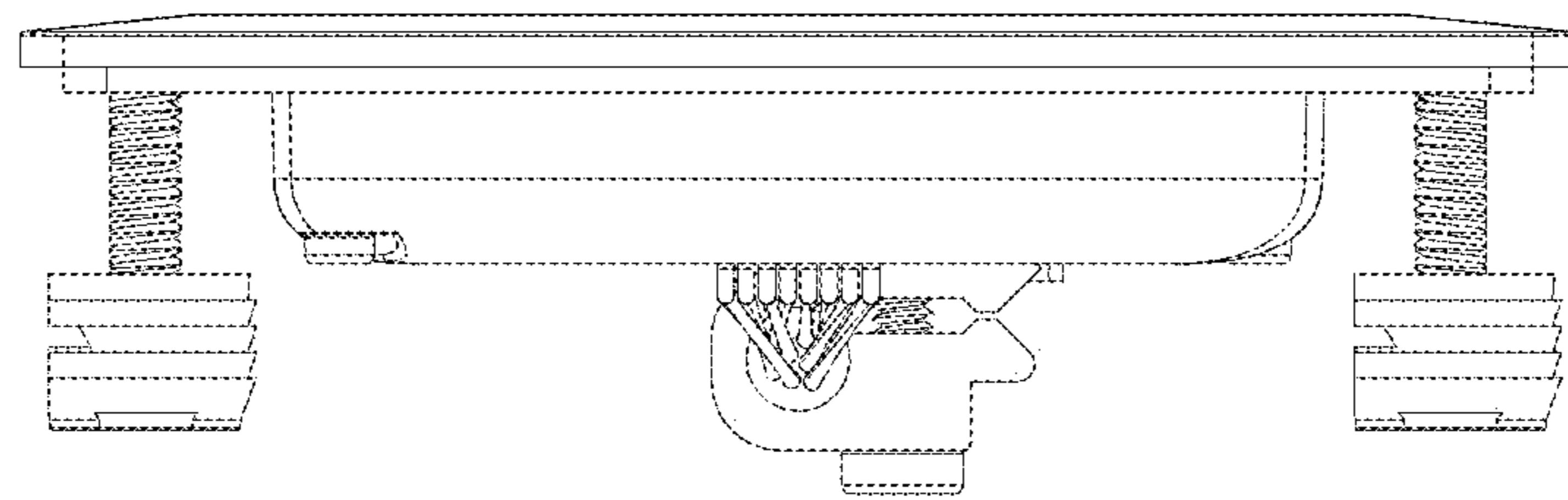


Fig 6

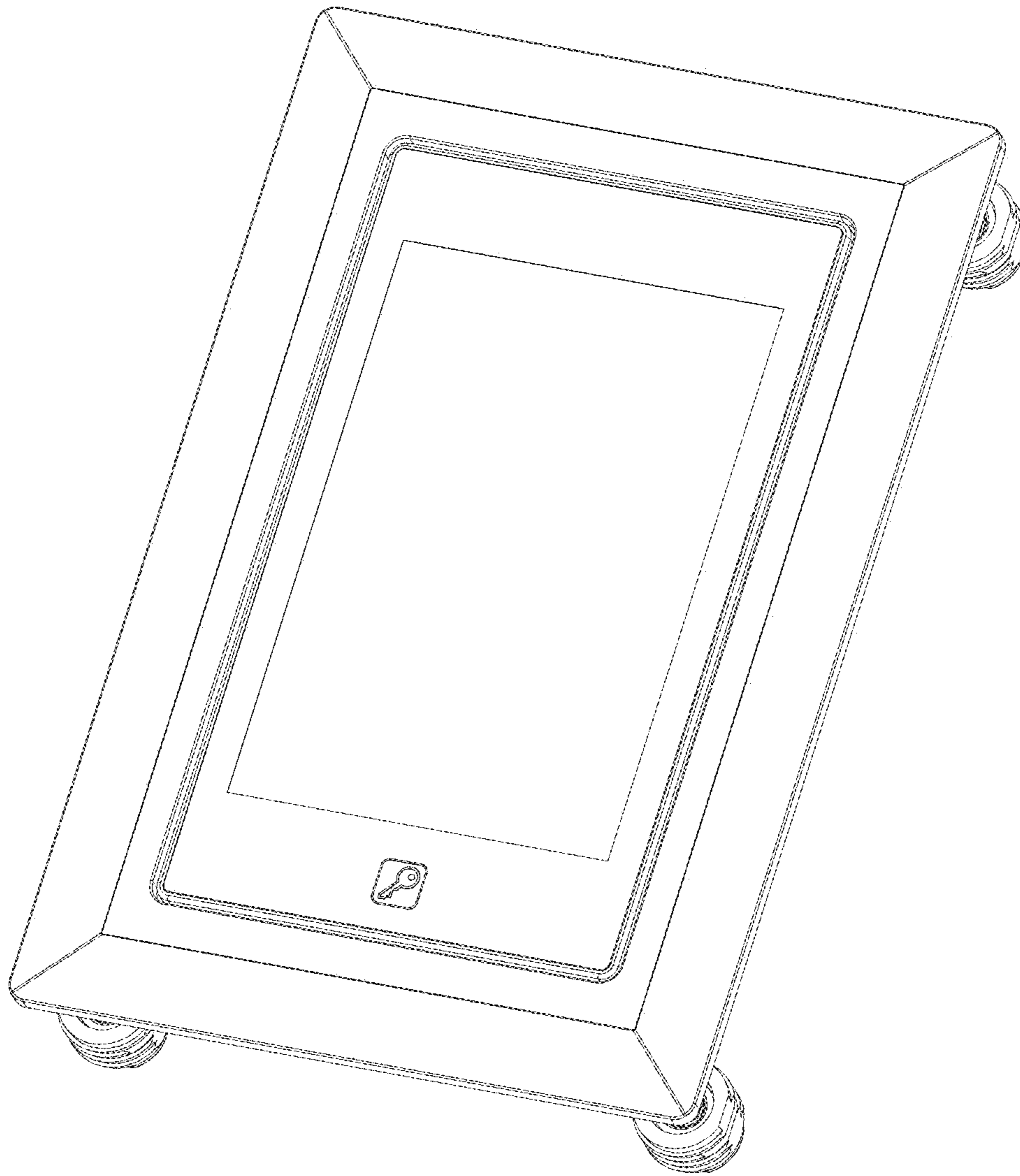


Fig 7

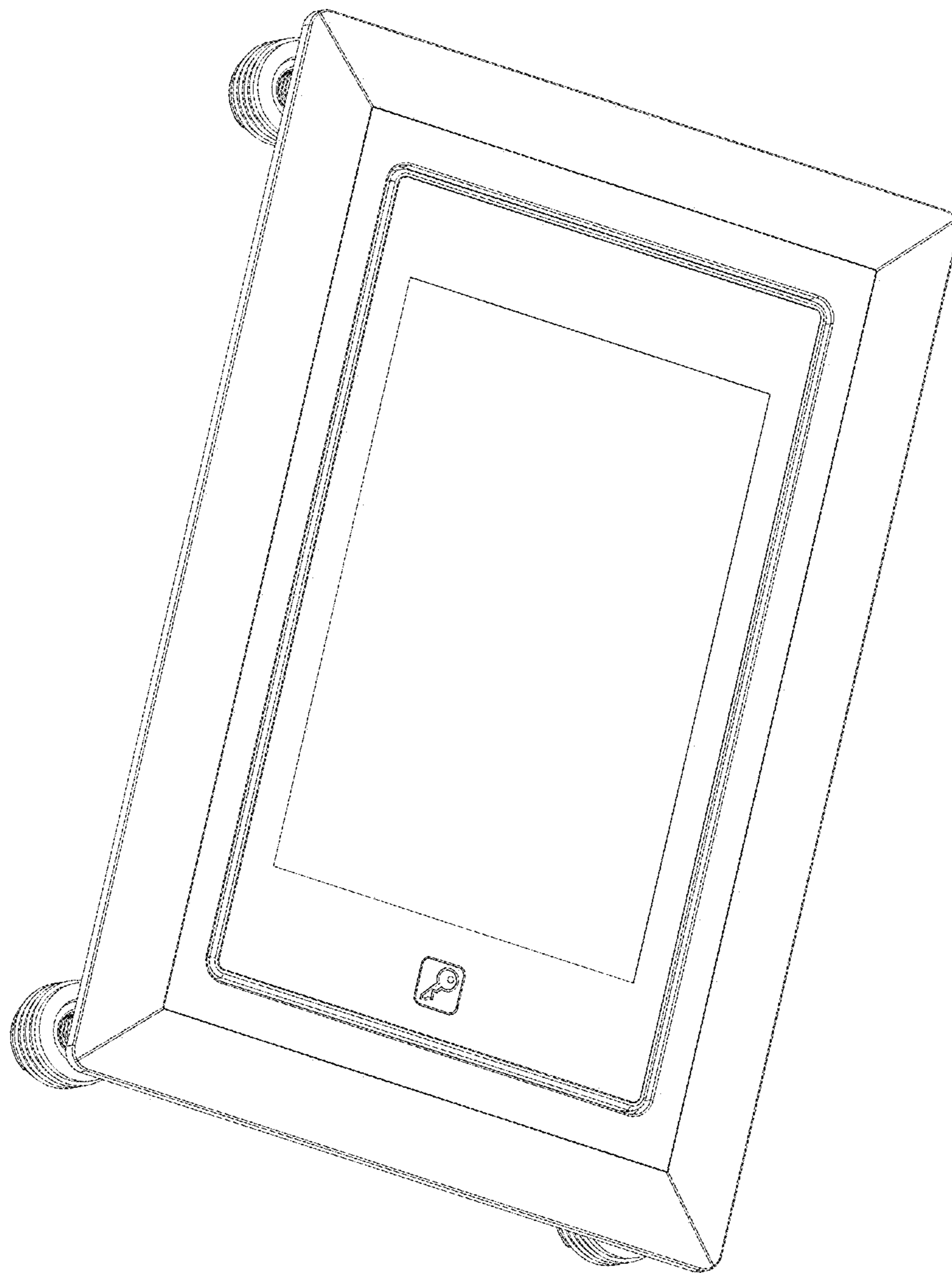


Fig 8

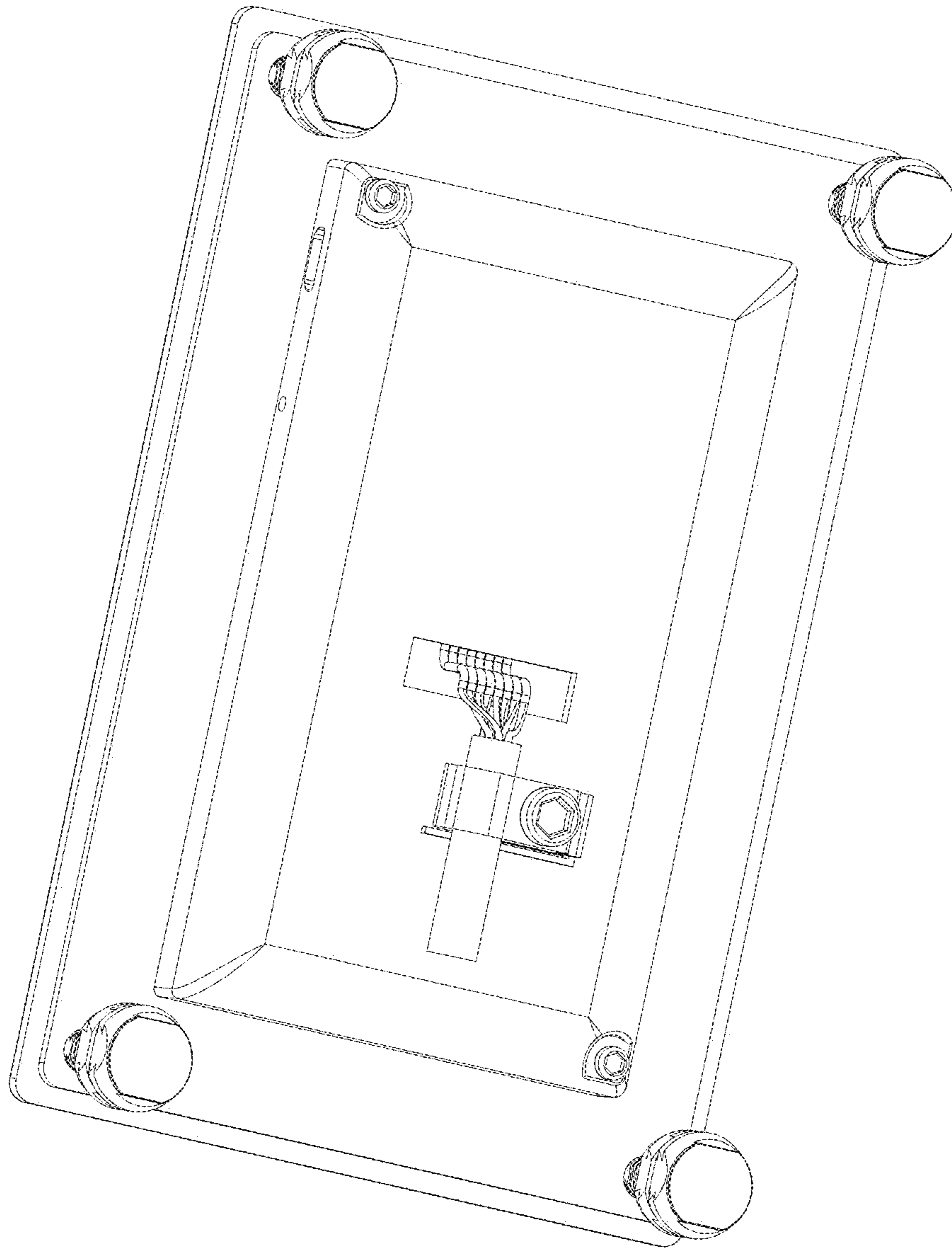


Fig 9

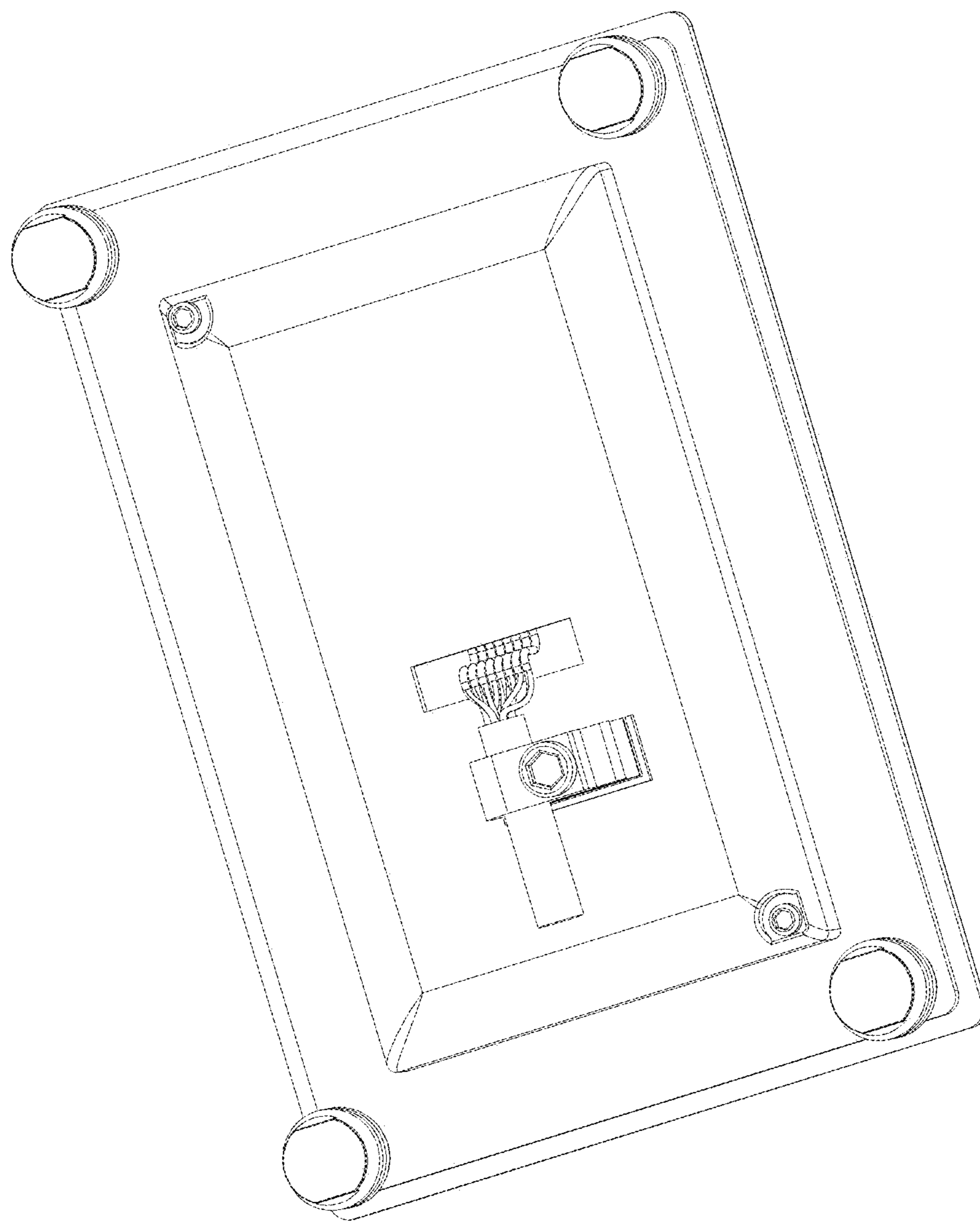


Fig 10