



US00D736720S

(12) **United States Design Patent**
Jung et al.

(10) **Patent No.:** **US D736,720 S**

(45) **Date of Patent:** **** Aug. 18, 2015**

(54) **REMOTE CONTROLLER FOR BIDET**

(71) Applicant: **IS DONGSEO CO., LTD.**, Seoul (KR)

(72) Inventors: **Ji Cheol Jung**, Gwangju-si (KR); **Dong Min Seo**, Seoul (KR)

(73) Assignee: **IS DONGSEO CO., LTD.** (KR)

(**) Term: **14 Years**

(21) Appl. No.: **29/486,873**

(22) Filed: **Apr. 3, 2014**

(30) **Foreign Application Priority Data**

Mar. 7, 2014 (KR) 30-2014-0011639

(51) **LOC (10) Cl.** **14-03**

(52) **U.S. Cl.**
USPC **D13/168**

(58) **Field of Classification Search**
USPC D13/168; D14/218
CPC H03J 1/0025; H03J 9/00; H03J 9/02;
H03J 9/04; H03J 9/06; H01H 9/0235; H04B
1/202; G05B 11/01; G08C 17/00; G08C
17/02; G08C 19/28; G08C 23/04; G08C
2201/20; G08C 2201/30; G08C 2201/33;
G08C 2201/40; G08C 2201/91; G08C
2201/92; E03C 1/055; E03D 5/10; E03D 9/08
See application file for complete search history.

(56) **References Cited**

U.S. PATENT DOCUMENTS

D451,076 S * 11/2001 Sommer et al. D13/168
6,327,718 B1 * 12/2001 Ono et al. 4/420.2

D481,016 S * 10/2003 Hillis D13/168
6,754,912 B1 * 6/2004 Hayashi et al. 4/420.2
D528,991 S * 9/2006 Katsuyama et al. D13/168
7,191,473 B2 * 3/2007 Matsumoto et al. 4/420.2
D541,225 S * 4/2007 Katsuyama et al. D13/168
D564,976 S * 3/2008 Billings et al. D13/168
7,372,002 B2 * 5/2008 Nakamura et al. 219/494
D583,363 S * 12/2008 Song et al. D14/218
D601,976 S * 10/2009 Petrillo et al. D13/168
D633,479 S * 3/2011 Maier D14/218
D634,735 S * 3/2011 Maier D14/218
D670,659 S * 11/2012 Ishikawa et al. D13/168
D692,417 S * 10/2013 Tu D14/218
D724,037 S * 3/2015 Yoshioka D13/168
2006/0076220 A1 * 4/2006 Fukaya et al. 200/6 A
2011/0203043 A1 * 8/2011 Jin et al. 4/443

* cited by examiner

Primary Examiner — Selina Sikder

(74) *Attorney, Agent, or Firm* — Cantor Colburn LLP

(57) **CLAIM**

The ornamental design for a remote controller for bidet, as shown and described.

DESCRIPTION

FIG. 1 is a perspective view of a remote controller for bidet showing our new design;
FIG. 2 is a front view thereof;
FIG. 3 is a rear view thereof;
FIG. 4 is a left side view thereof;
FIG. 5 is a right side view thereof;
FIG. 6 is a top plan view thereof; and,
FIG. 7 is a bottom plan view thereof.

1 Claim, 6 Drawing Sheets

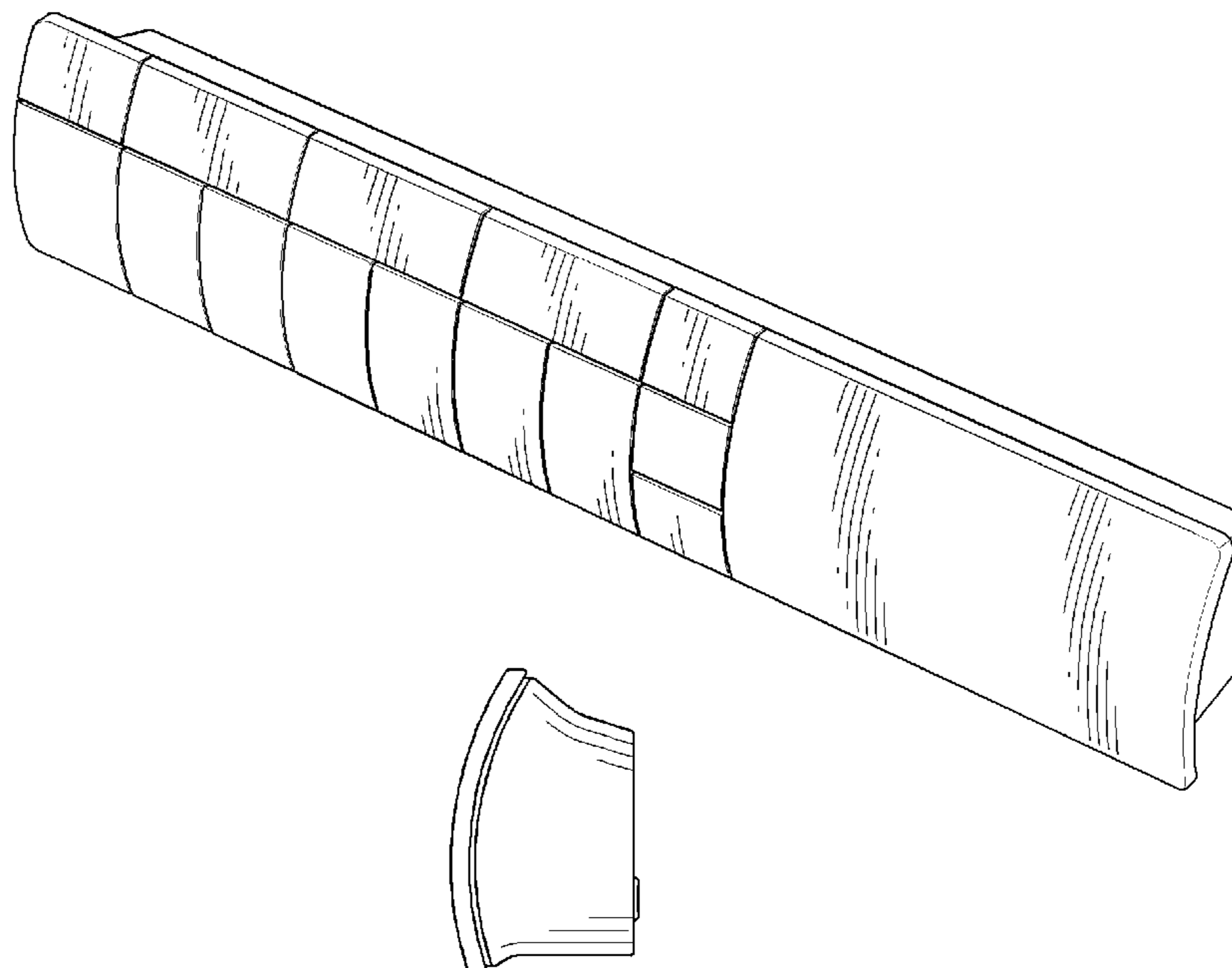


FIG. 1

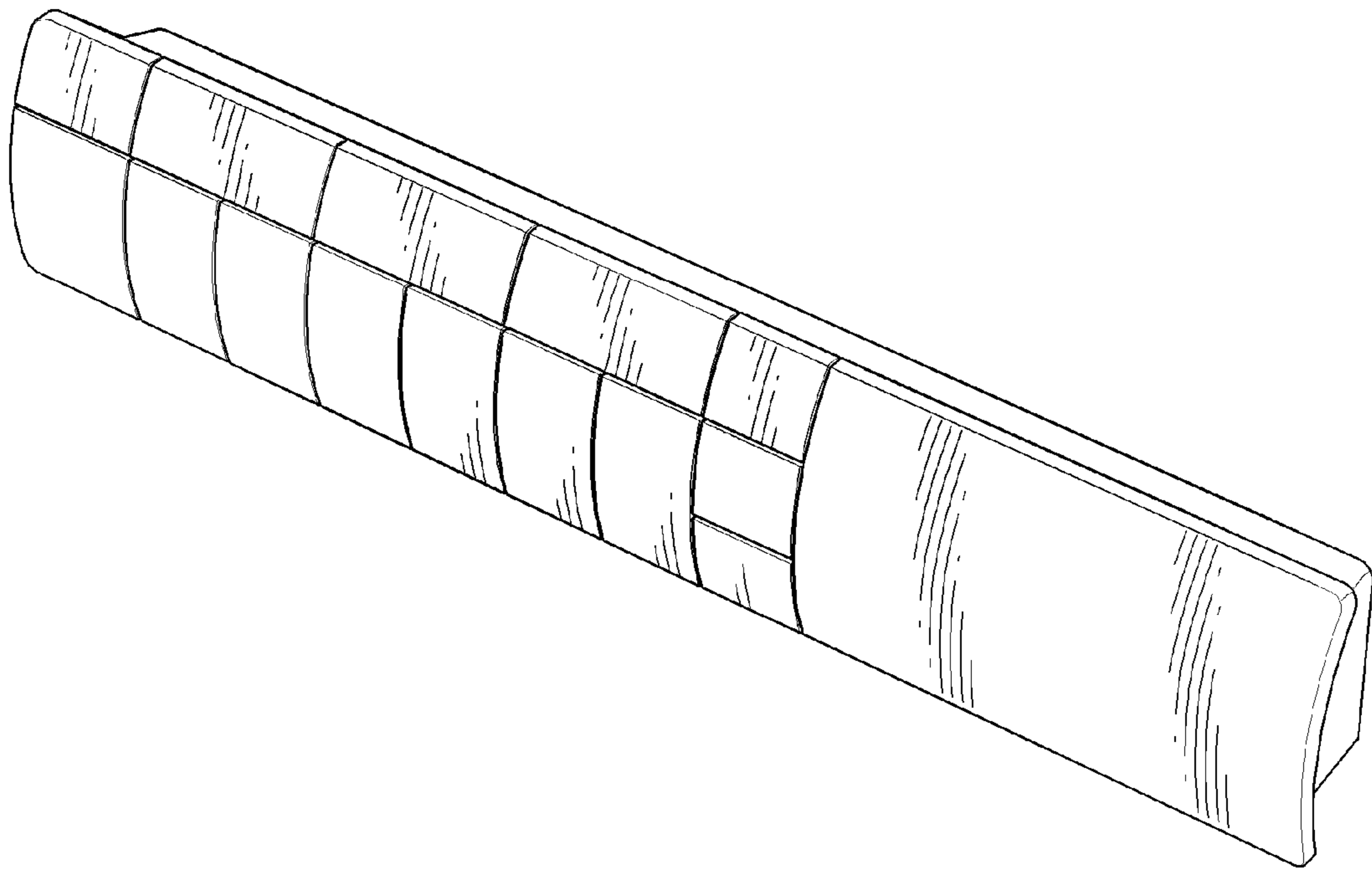


FIG. 2



FIG. 3

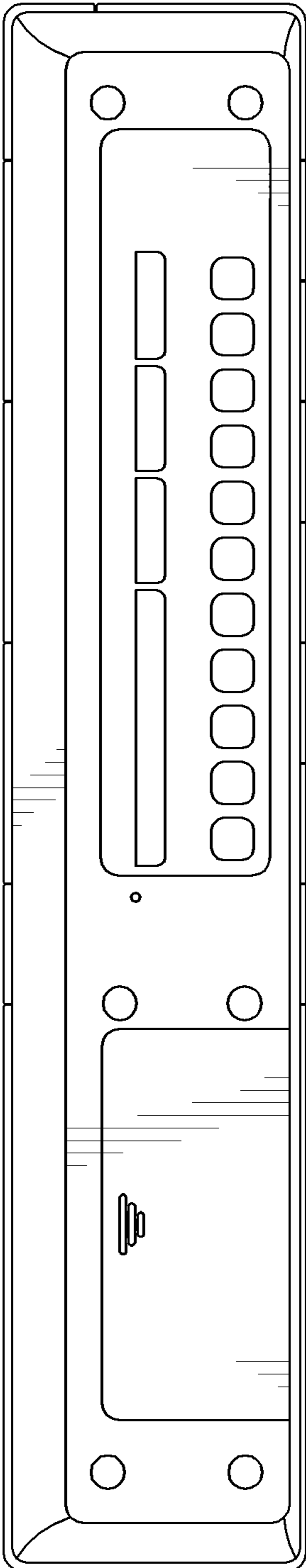


FIG. 4

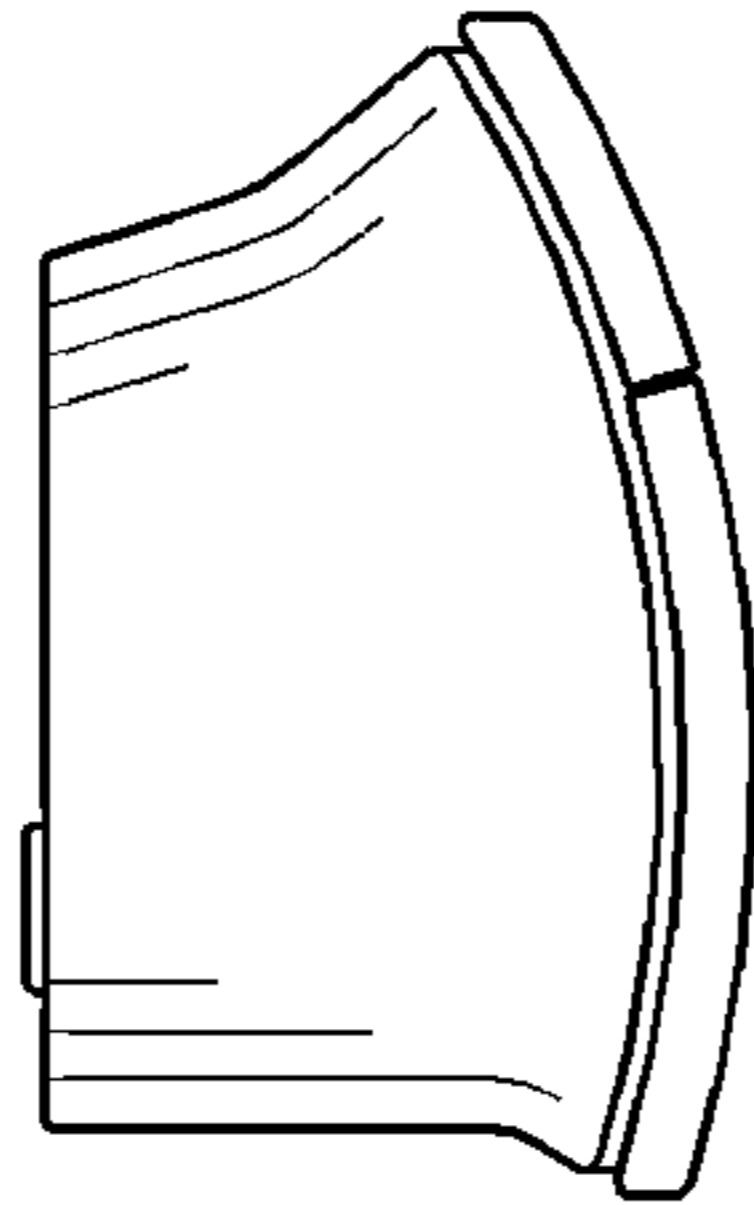


FIG. 5

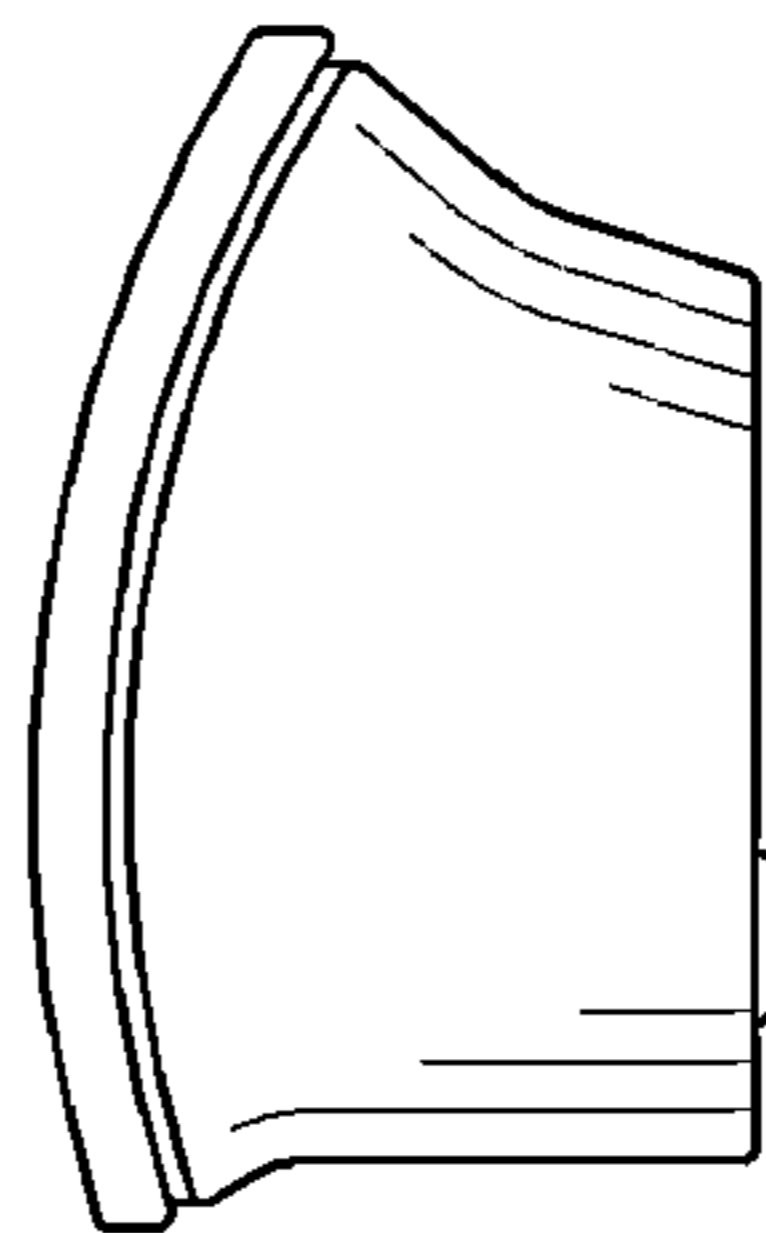


FIG. 6

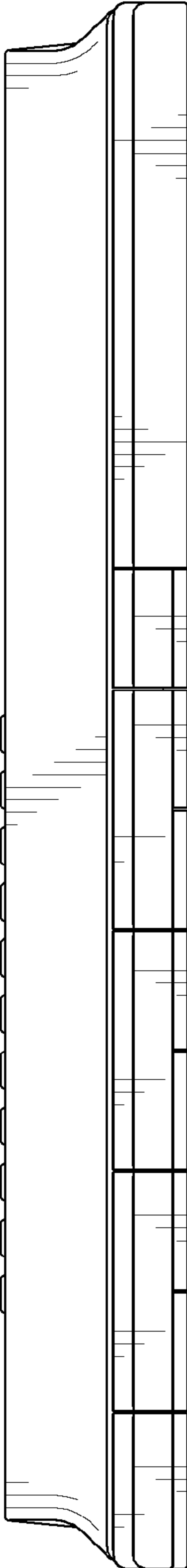


FIG. 7

