



US00D736713S

(12) **United States Design Patent**
Sekine et al.

(10) **Patent No.:** **US D736,713 S**

(45) **Date of Patent:** **** Aug. 18, 2015**

(54) **SIGNAL INPUT DEVICE**

FOREIGN PATENT DOCUMENTS

(71) Applicant: **SMC CORPORATION**, Tokyo (JP)

JP 1098631 1/2001

(72) Inventors: **Mitsuo Sekine**, Kasukabe (JP); **Junichi Furukawa**, Nagareyama (JP)

* cited by examiner

(73) Assignee: **SMC CORPORATION**, Tokyo (JP)

Primary Examiner — Daniel Bui

(**) Term: **14 Years**

(74) *Attorney, Agent, or Firm* — Birch, Stewart, Kolasch & Birch, LLP

(21) Appl. No.: **29/500,604**

(57) **CLAIM**
The ornamental design for a signal input device, as shown.

(22) Filed: **Aug. 27, 2014**

DESCRIPTION

(30) **Foreign Application Priority Data**

Feb. 28, 2014 (JP) 2014-004242

Feb. 28, 2014 (JP) 2014-004243

(51) **LOC (10) Cl.** **13-03**

(52) **U.S. Cl.**
USPC **D13/147**

(58) **Field of Classification Search**
USPC D13/147, 154, 184, 199
See application file for complete search history.

(56) **References Cited**

U.S. PATENT DOCUMENTS

D425,483	S *	5/2000	Bechtold et al.	D13/147
6,123,585	A *	9/2000	Hussong et al.	439/652
D439,882	S *	4/2001	Miyazoe et al.	D13/147
D439,883	S *	4/2001	Miyazoe et al.	D13/147
D544,836	S *	6/2007	Sichner et al.	D13/123
D606,017	S *	12/2009	Charlson et al.	D13/110
2006/0025000	A1 *	2/2006	Reker	439/281
2011/0237097	A1 *	9/2011	Aldag et al.	439/94

FIG. 1 is a front, top and left side perspective view of a signal input device showing a first embodiment of our new design; FIG. 2 is a rear, bottom and right side perspective view thereof;

FIG. 3 is a front view thereof;

FIG. 4 is a rear view thereof;

FIG. 5 is a top plan view thereof;

FIG. 6 is a bottom plan view thereof;

FIG. 7 is a left side view thereof;

FIG. 8 is a right side view thereof;

FIG. 9 is a front, top and left side perspective view of a signal input device showing a second embodiment of our new design;

FIG. 10 is a rear, bottom and right side perspective view thereof;

FIG. 11 is a front view thereof;

FIG. 12 is a rear view thereof;

FIG. 13 is a top plan view thereof;

FIG. 14 is a bottom plan view thereof;

FIG. 15 is a left side view thereof; and,

FIG. 16 is a right side view thereof.

1 Claim, 16 Drawing Sheets

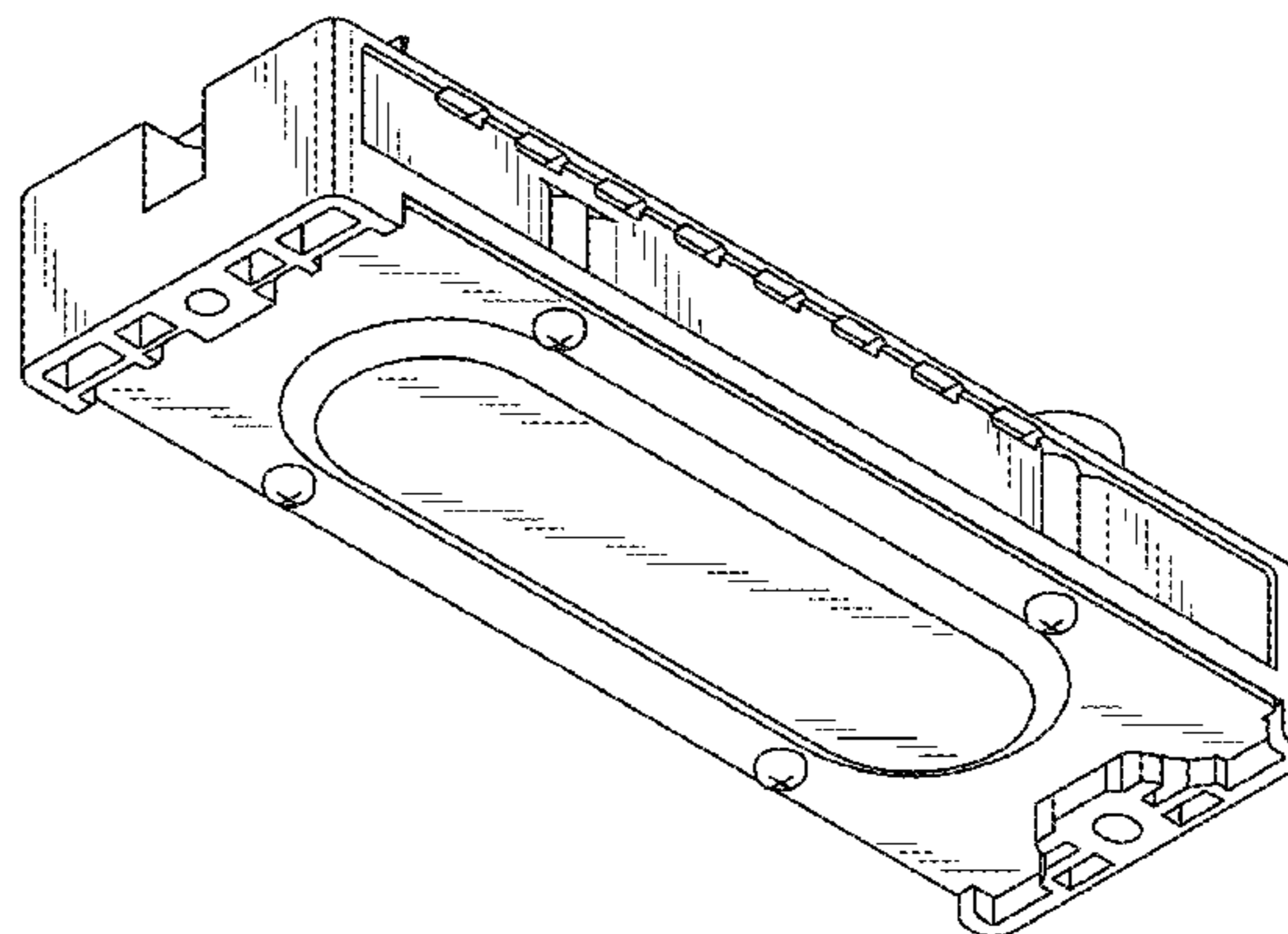
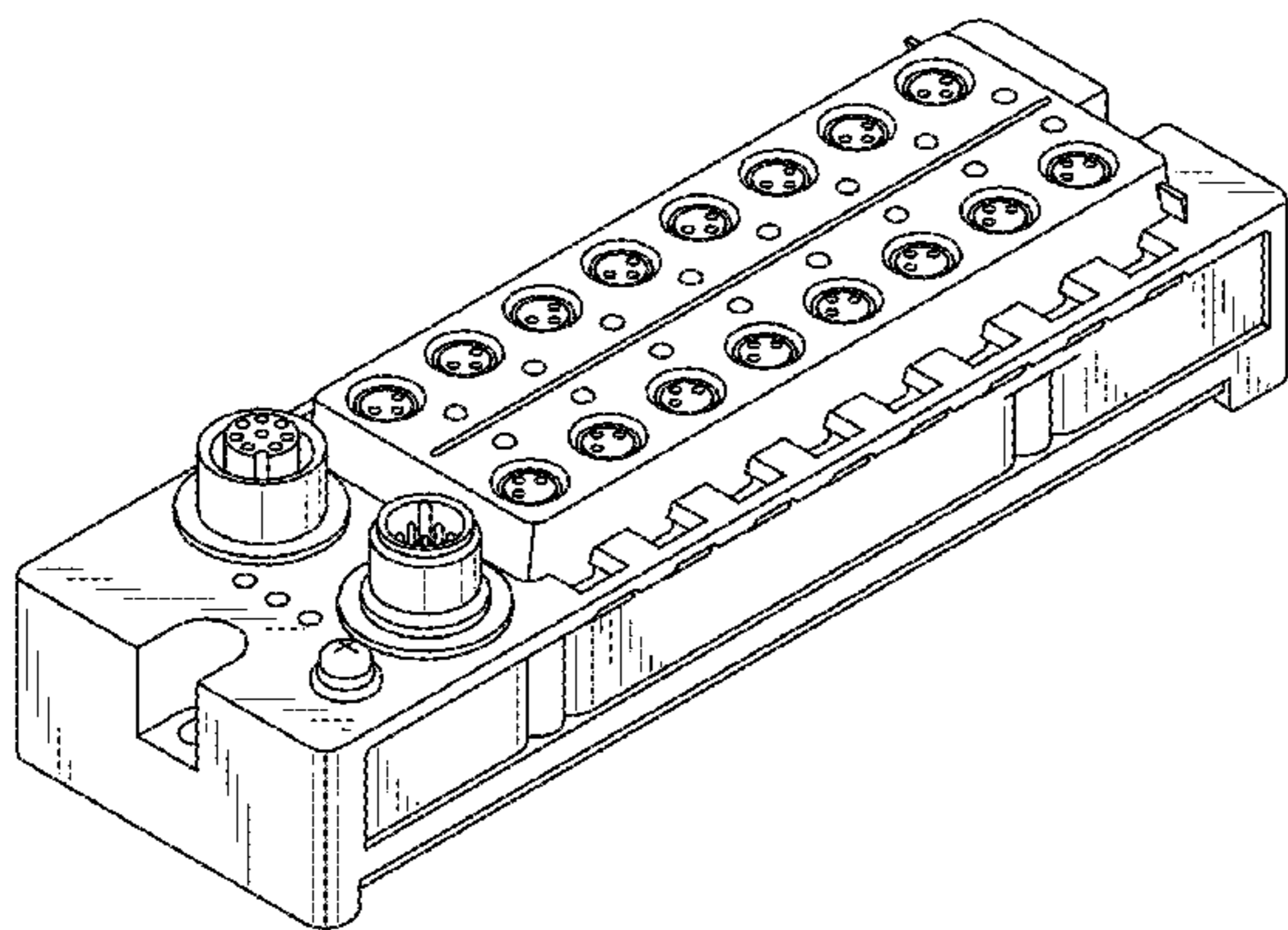


FIG. 1

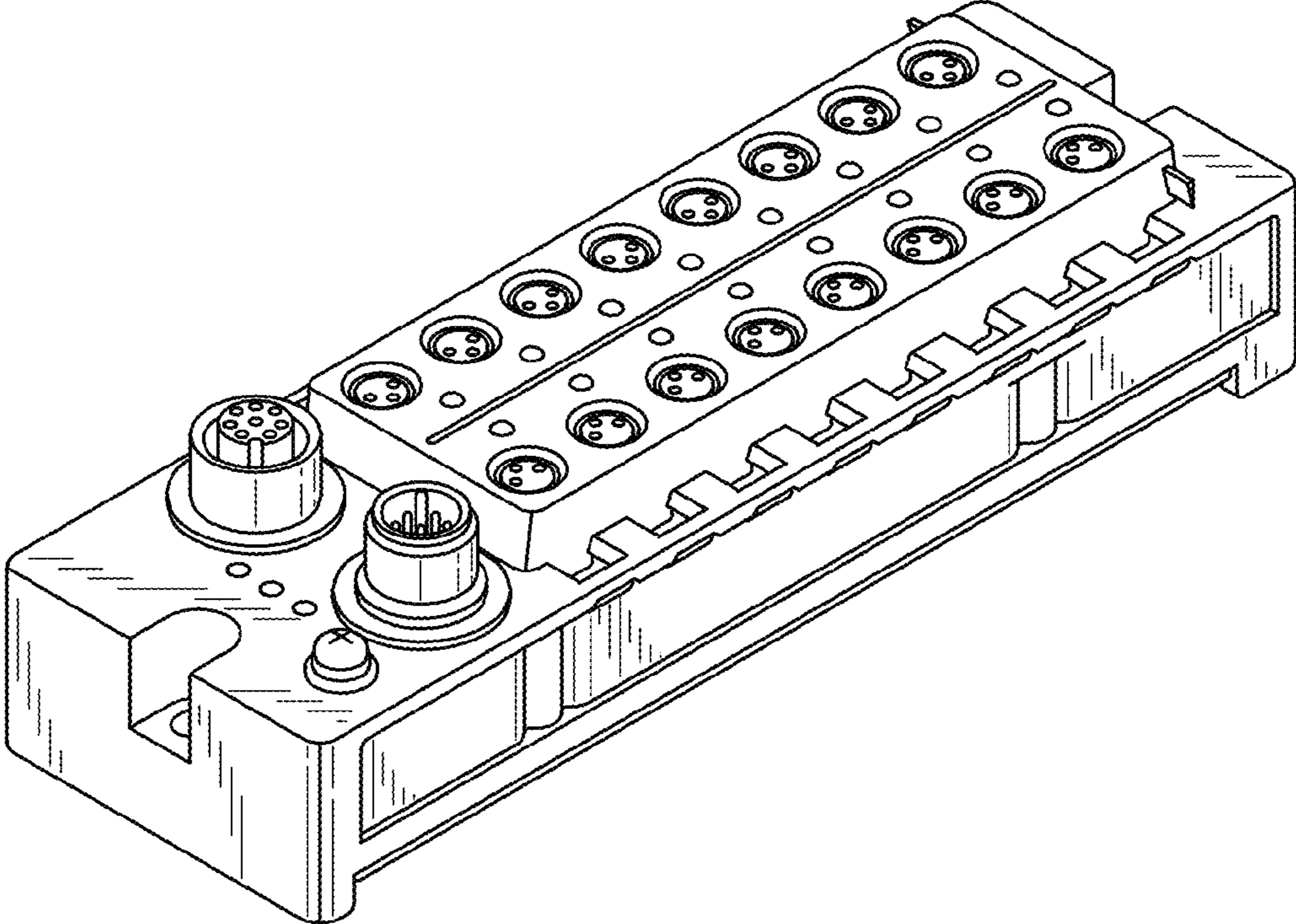


FIG. 2

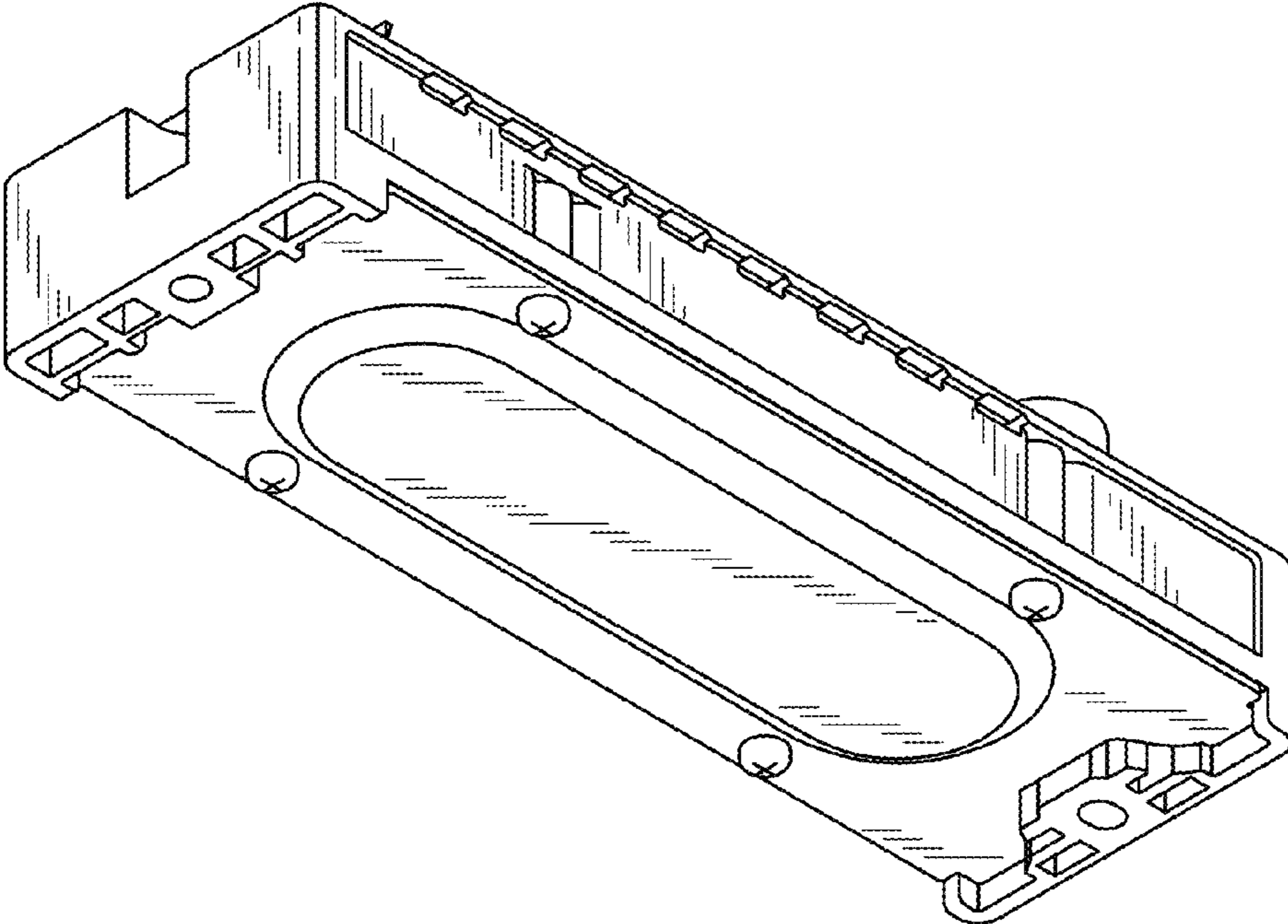


FIG. 3

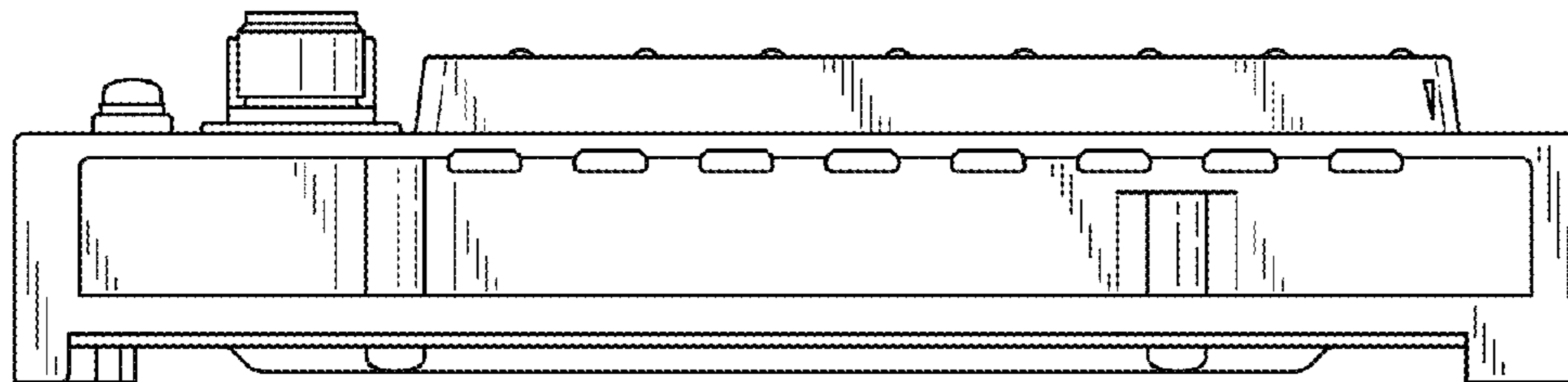


FIG. 4

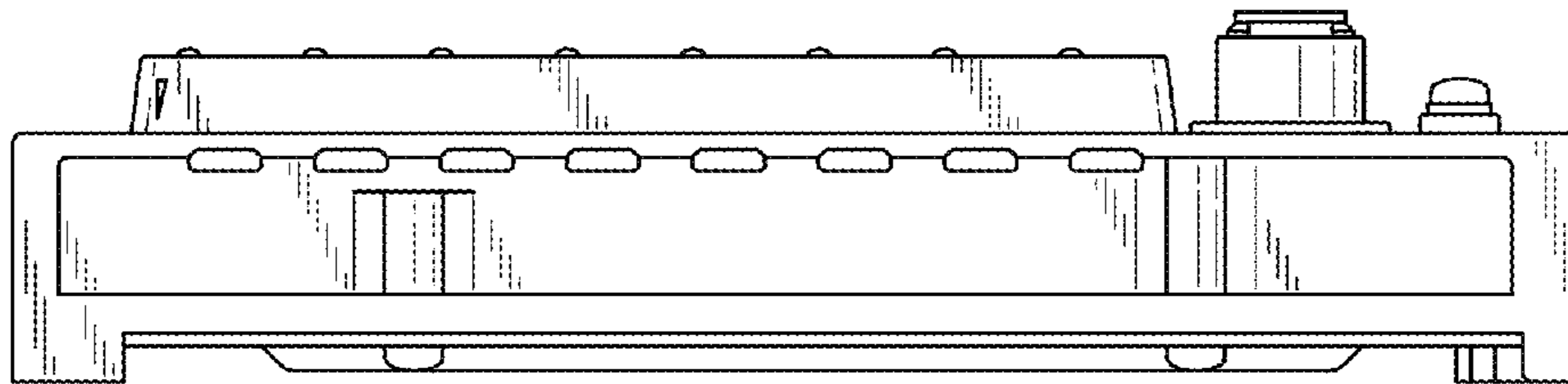


FIG. 5

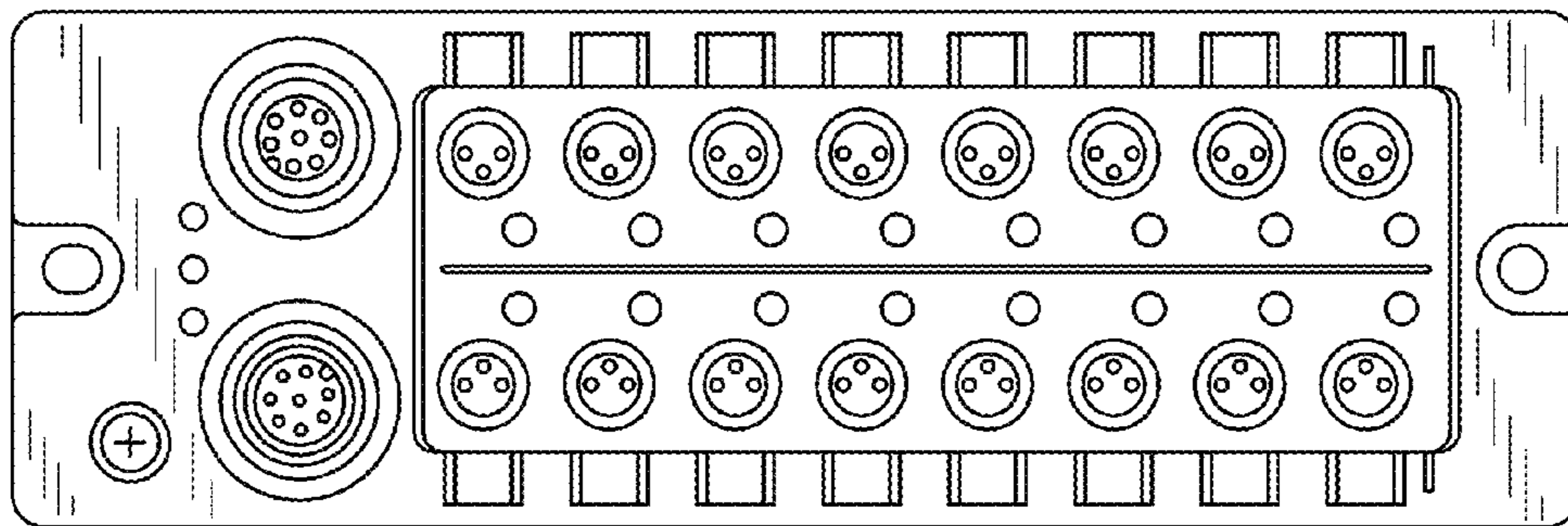


FIG. 6

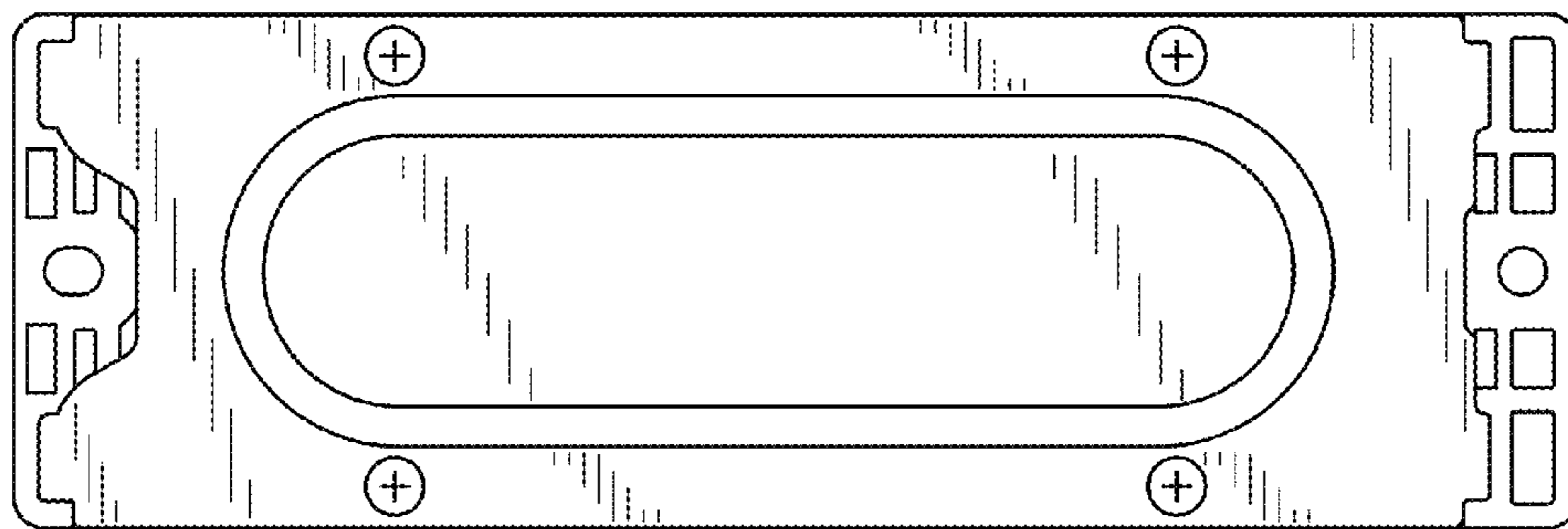


FIG. 7

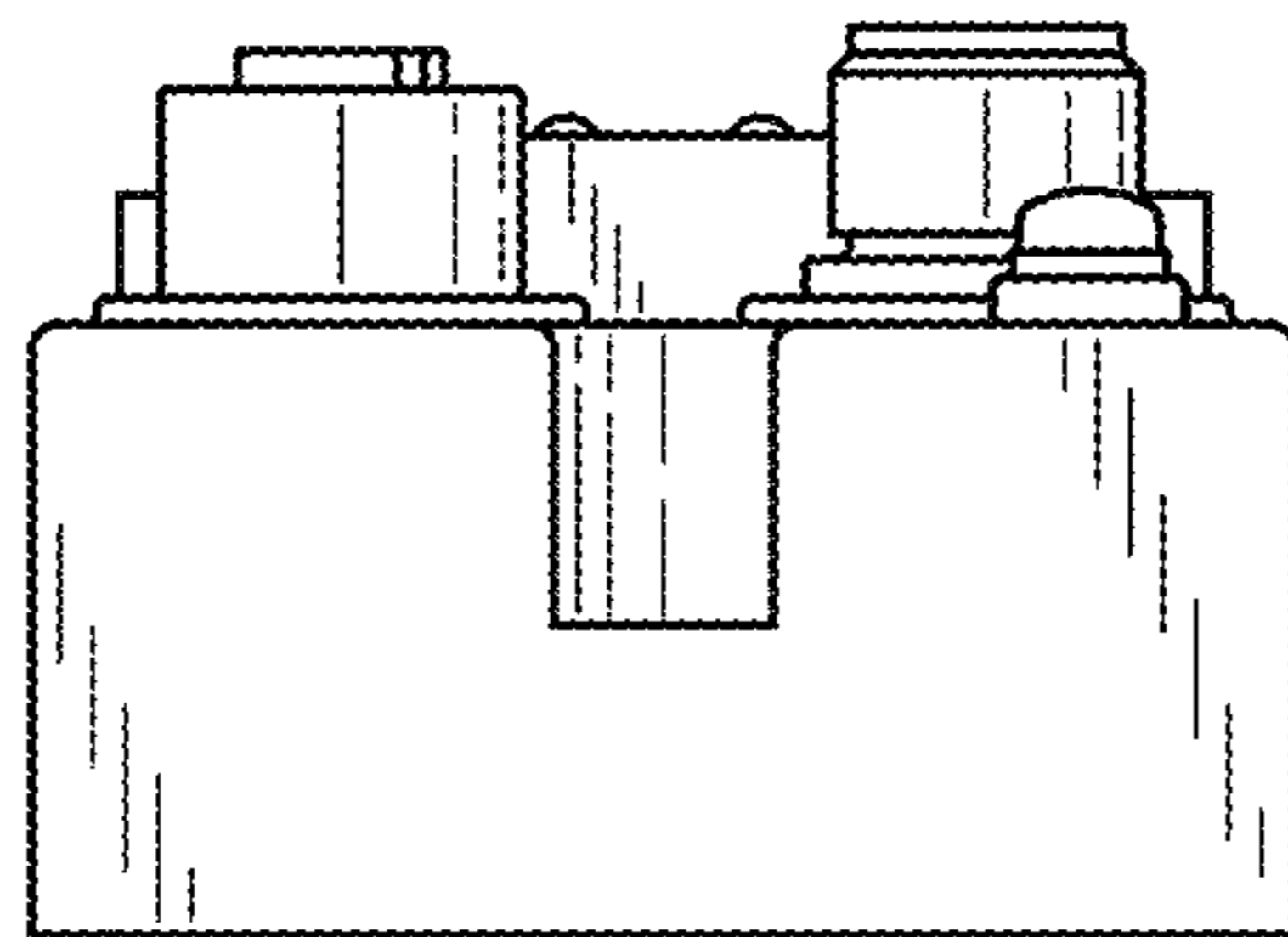


FIG. 8

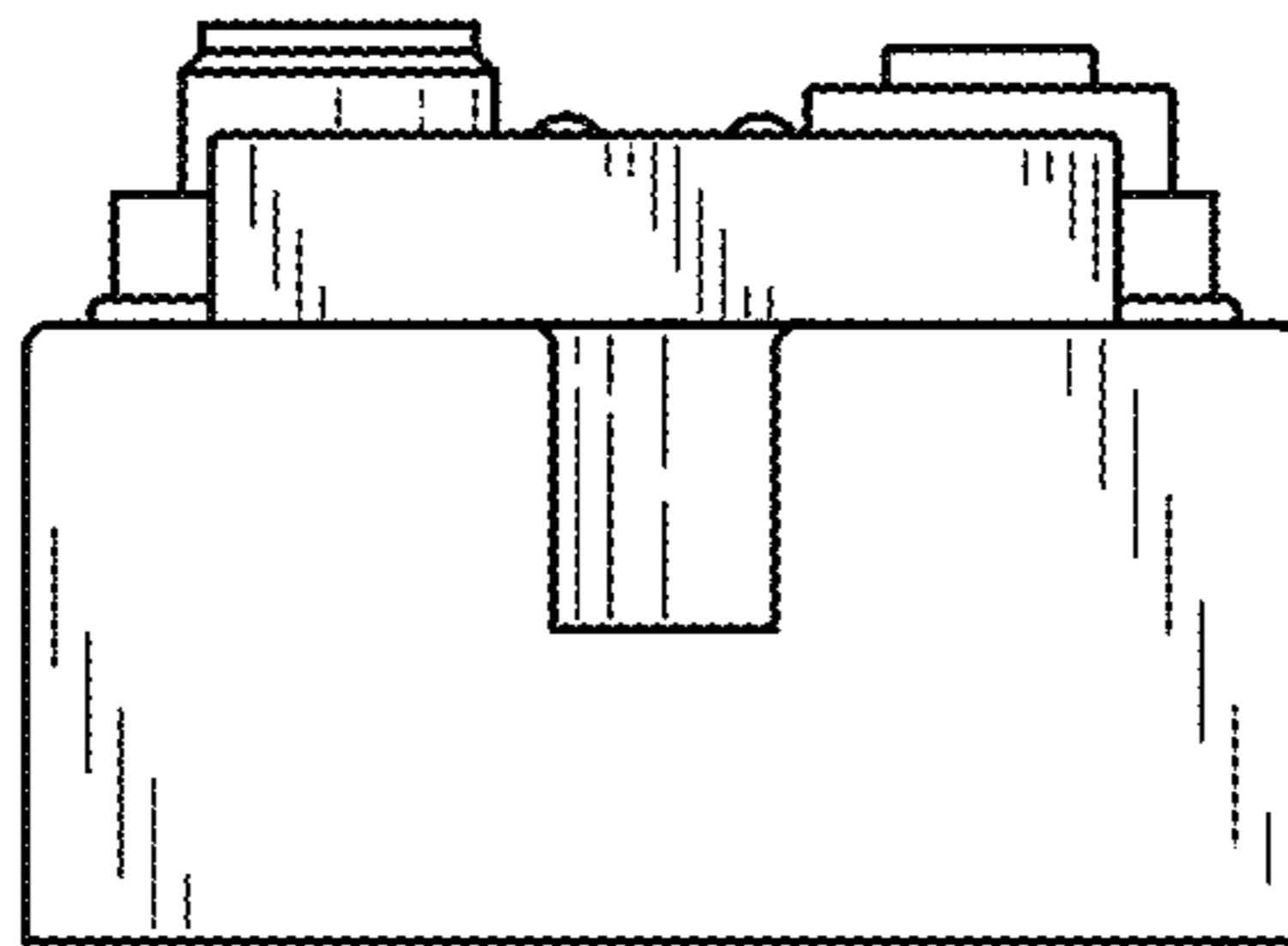


FIG. 9

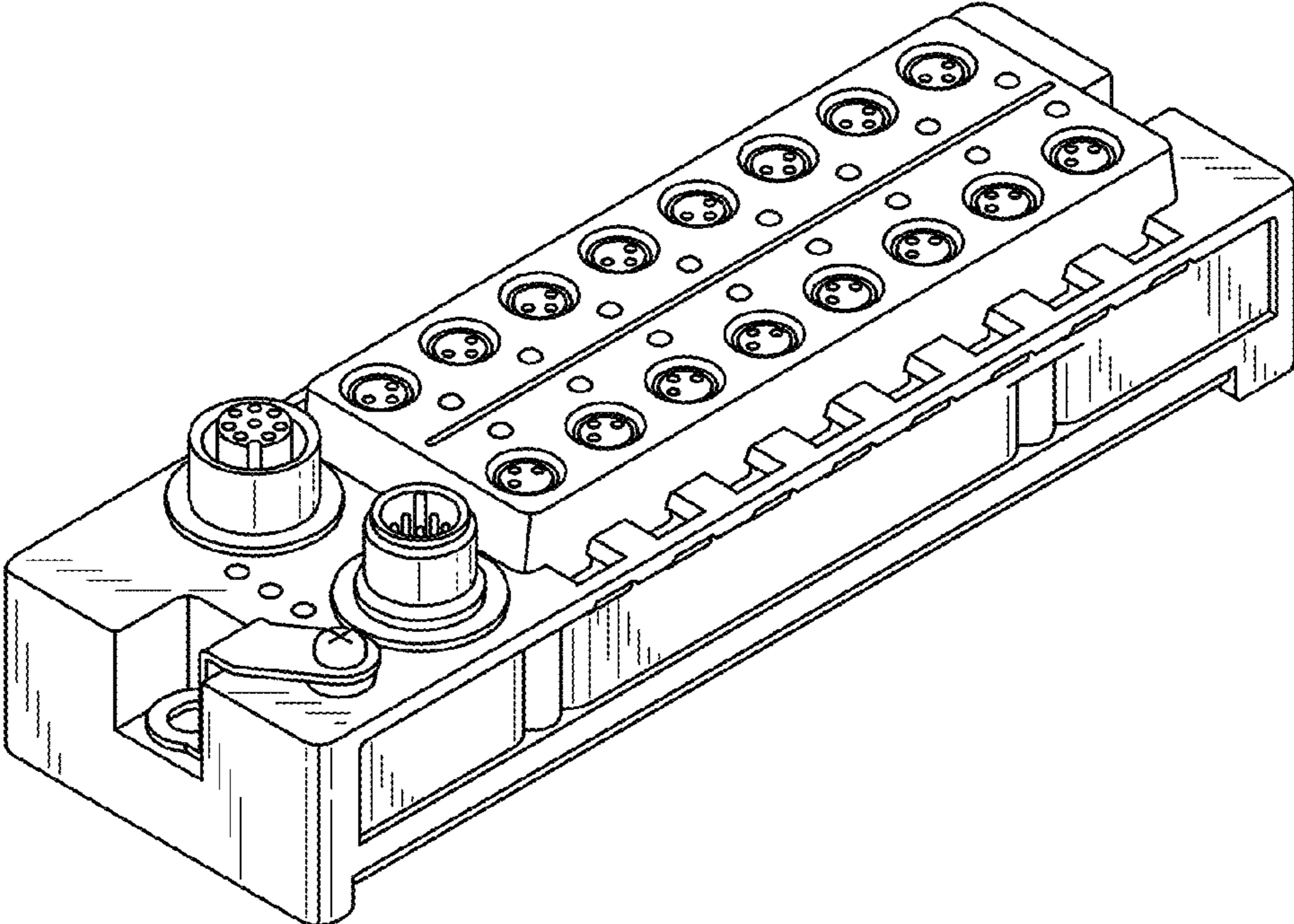


FIG. 10

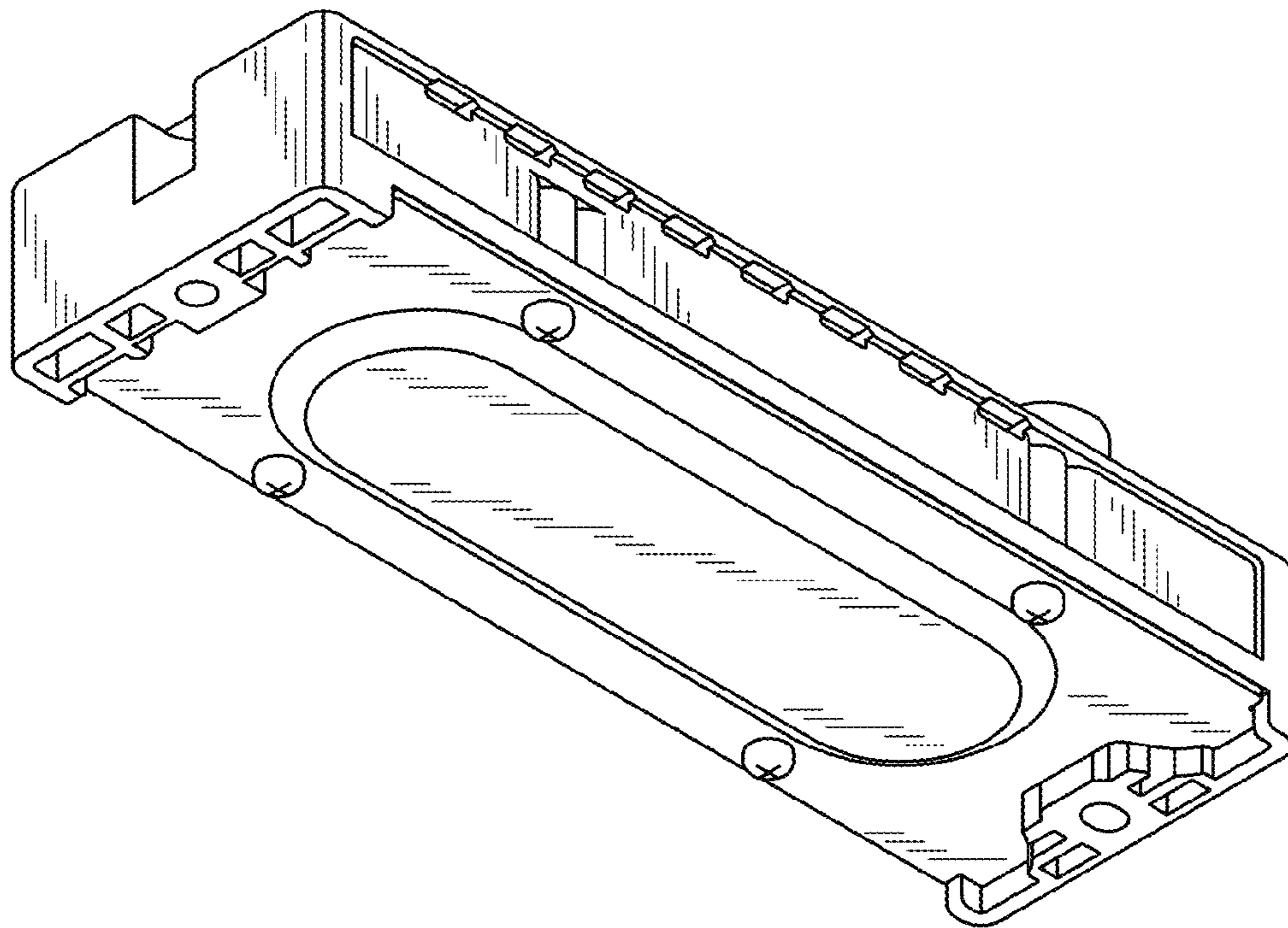


FIG. 11

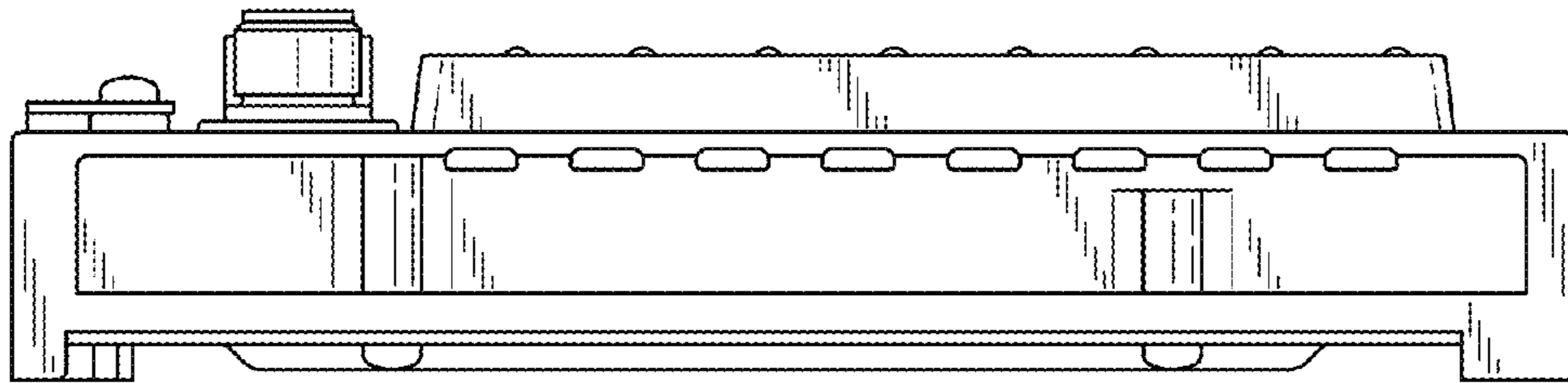


FIG. 12

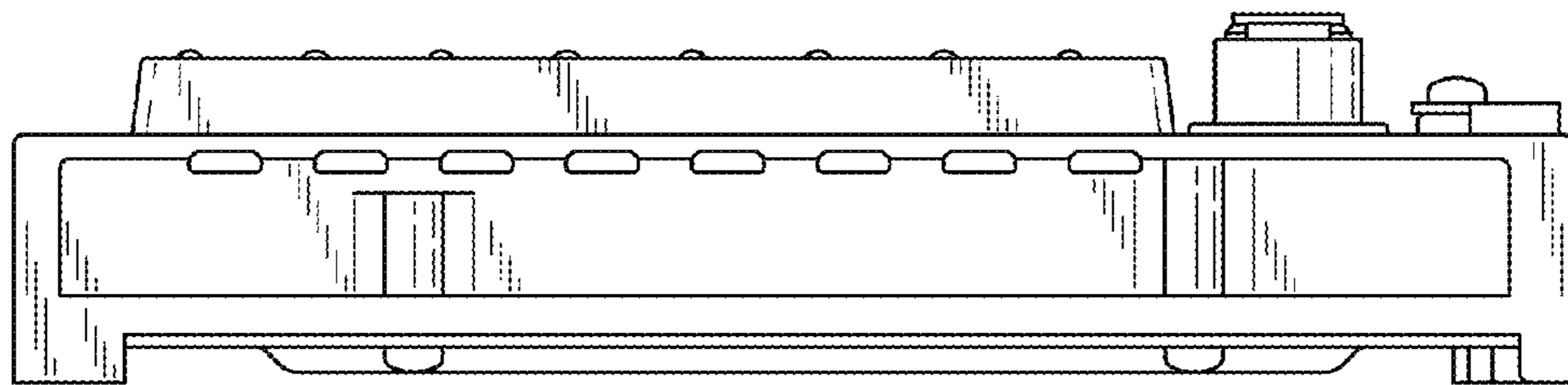


FIG. 13

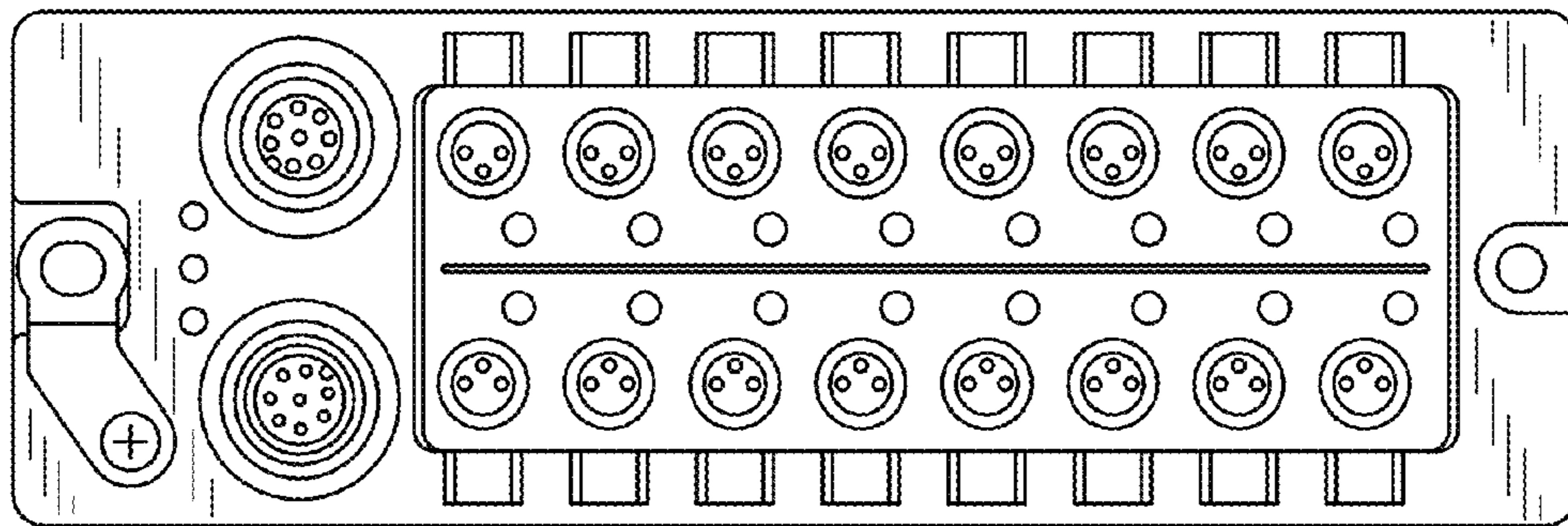


FIG. 14

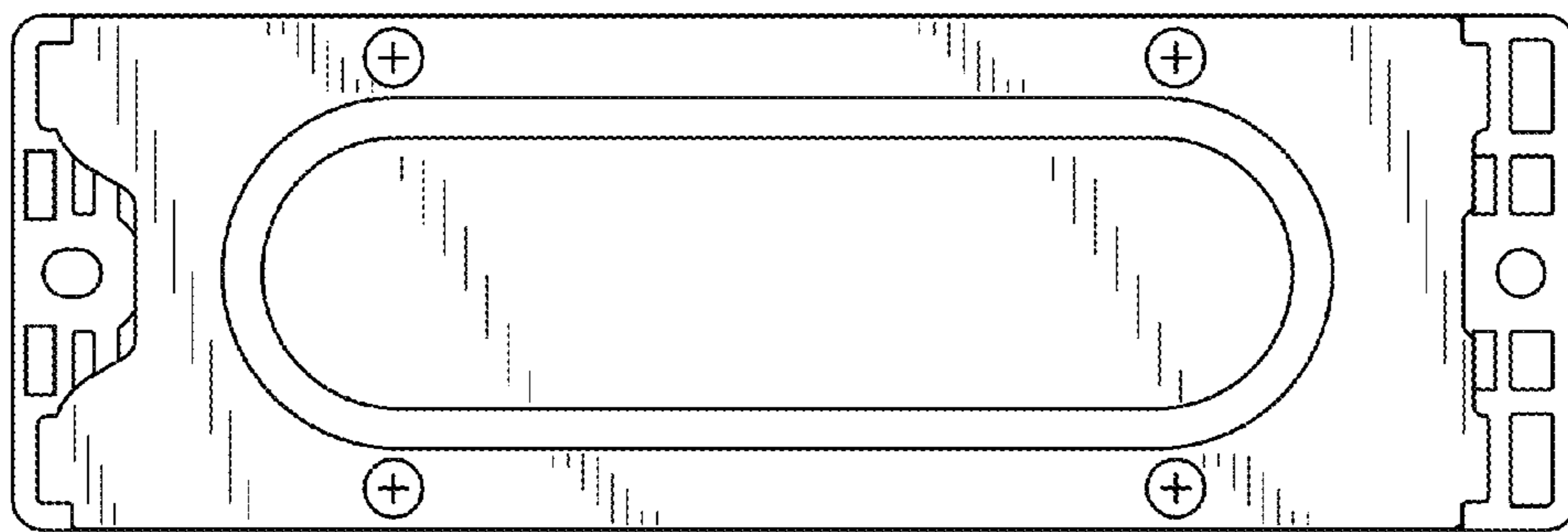


FIG. 15

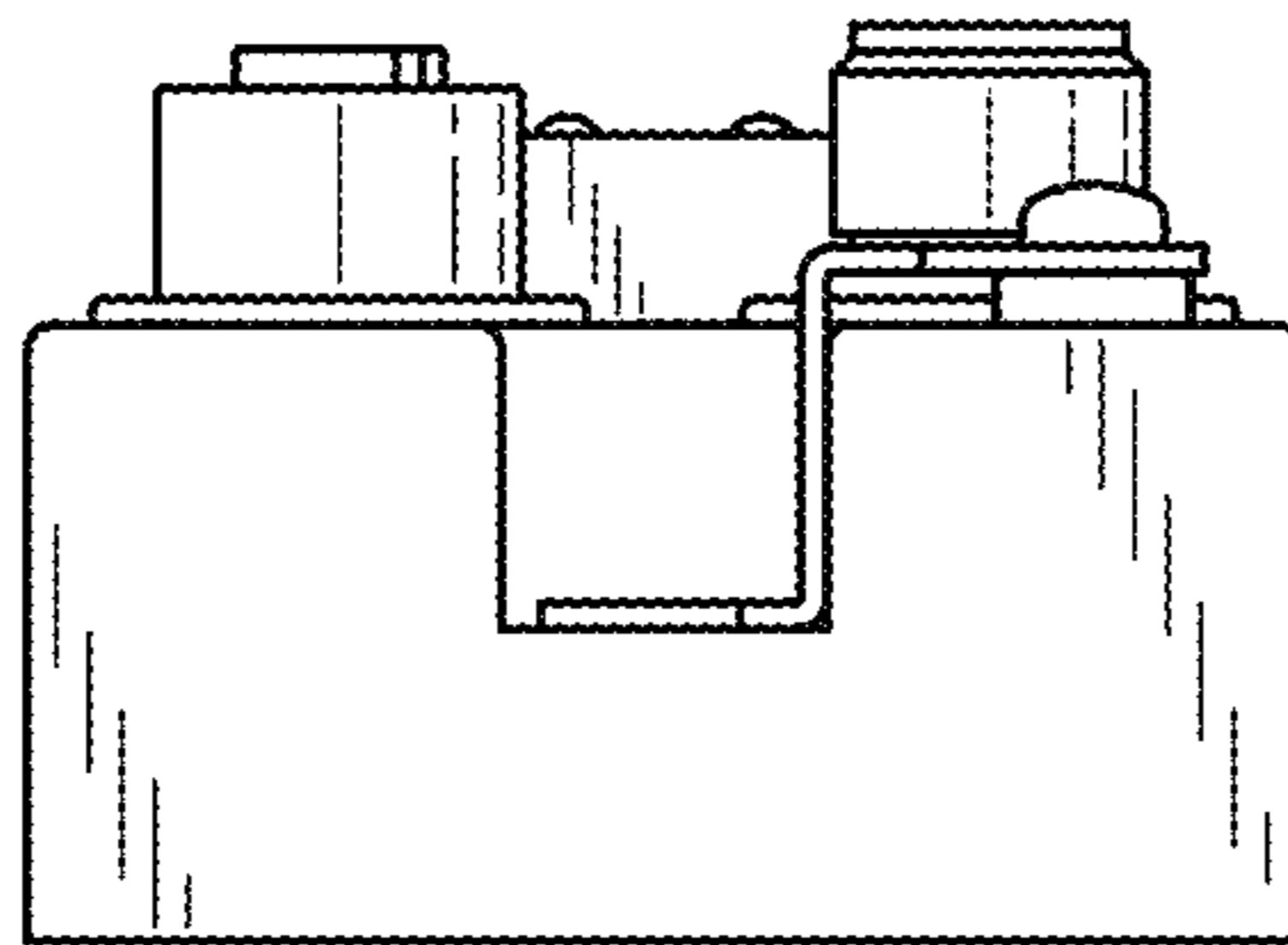


FIG. 16

