



US00D736710S

(12) **United States Design Patent**
Lin

(10) **Patent No.:** **US D736,710 S**

(45) **Date of Patent:** **** Aug. 18, 2015**

(54) **MULTI-DIRECTION SOCKET**

(71) Applicant: **Chia-hua Lin**, New Taipei (TW)

(72) Inventor: **Chia-hua Lin**, New Taipei (TW)

(**) Term: **14 Years**

(21) Appl. No.: **29/466,754**

(22) Filed: **Sep. 11, 2013**

(51) **LOC (10) Cl.** **13-03**

(52) **U.S. Cl.**

USPC **D13/137.2**

(58) **Field of Classification Search**

USPC D13/139.1, 139.4, 139.7, 139.8, 108,
D13/137.1-137.4, 153-155, 160, 184;
220/3.2, 3.3, 3.4-3.9; 174/50, 51;
439/638, 502, 535, 536, 650-655;
D8/358

See application file for complete search history.

(56) **References Cited**

U.S. PATENT DOCUMENTS

D381,315 S *	7/1997	Harold	D13/139.4
D442,066 S *	5/2001	Stekelenburg	D8/358
D459,307 S *	6/2002	Nieto	D13/139.8
D469,064 S *	1/2003	Nieto	D13/137.2
D469,403 S *	1/2003	Nieto	D13/137.2
D496,254 S *	9/2004	Ham	D8/358
D498,410 S *	11/2004	Ham	D8/358
D533,836 S *	12/2006	Young	D13/137.1

D562,240 S *	2/2008	Lee	D13/137.2
D585,823 S *	2/2009	Guccione	D13/108
D614,134 S	4/2010	Chen et al.		
D617,274 S *	6/2010	Caplan	D13/137.2
D618,617 S *	6/2010	Lee	D13/137.2
7,892,036 B2 *	2/2011	Lee	439/638
D640,199 S *	6/2011	Wilson	D13/139.7
D651,174 S *	12/2011	Le Clair	D13/137.2
D651,977 S *	1/2012	Lee	D13/139.1
D653,215 S *	1/2012	Lam	D13/139.8
D686,993 S *	7/2013	Millar-Sax et al.	D13/137.2

* cited by examiner

Primary Examiner — Holly Baynham

Assistant Examiner — Rhea Shields

(74) *Attorney, Agent, or Firm* — Ming Chow; Sinorica, LLC

(57) **CLAIM**

The ornamental design for a multi-direction socket, is as shown and described.

DESCRIPTION

FIG. 1 is a front right perspective view of a multi-direction socket showing my new design;

FIG. 2 is a front elevation view thereof;

FIG. 3 is a rear elevation view thereof;

FIG. 4 is a top plan view thereof;

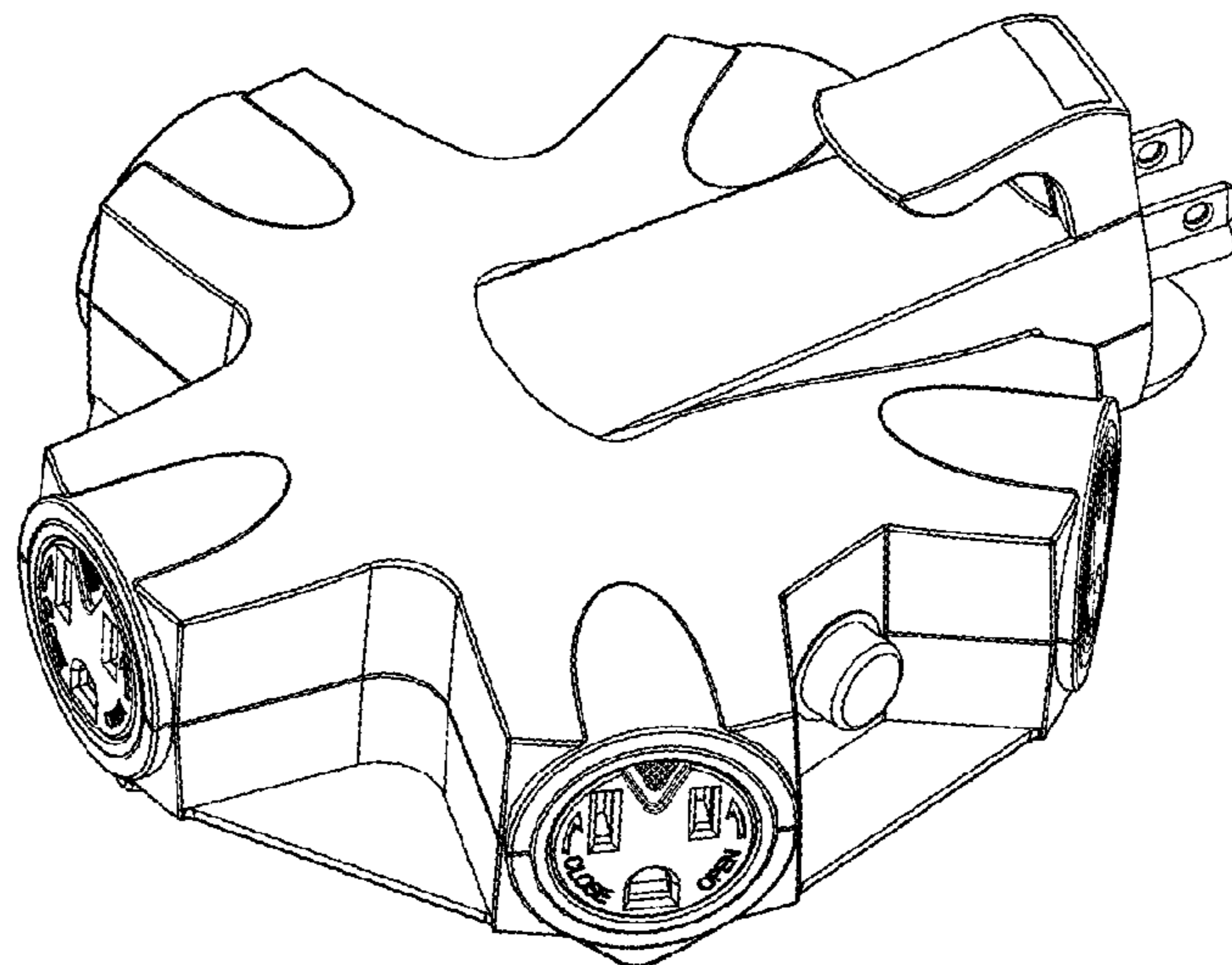
FIG. 5 is a left side elevation view thereof;

FIG. 6 is a right side elevation view thereof; and,

FIG. 7 is a bottom plan view thereof.

The broken lines represent the portions of the design that form no part of the claim.

1 Claim, 7 Drawing Sheets



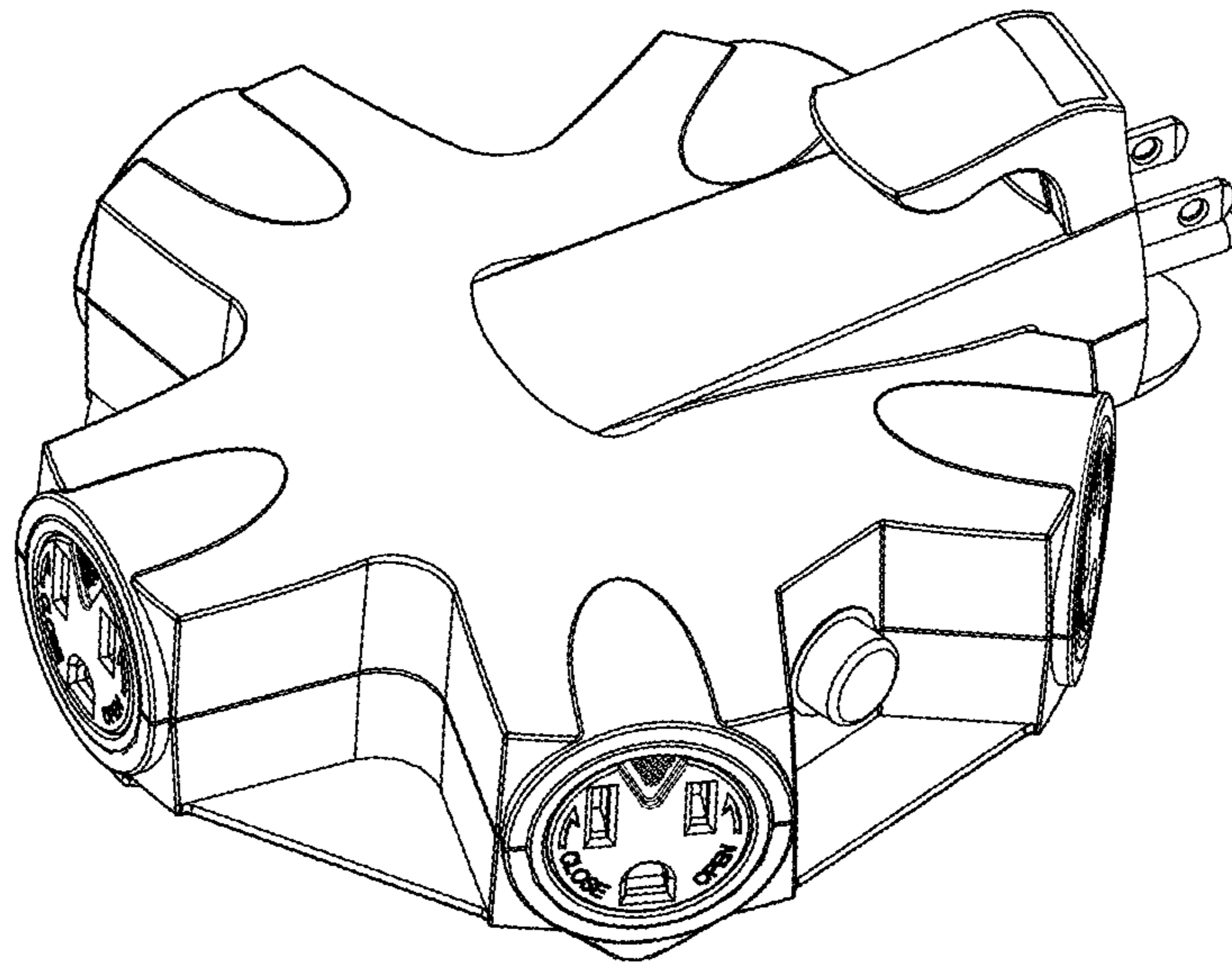


FIG. 1

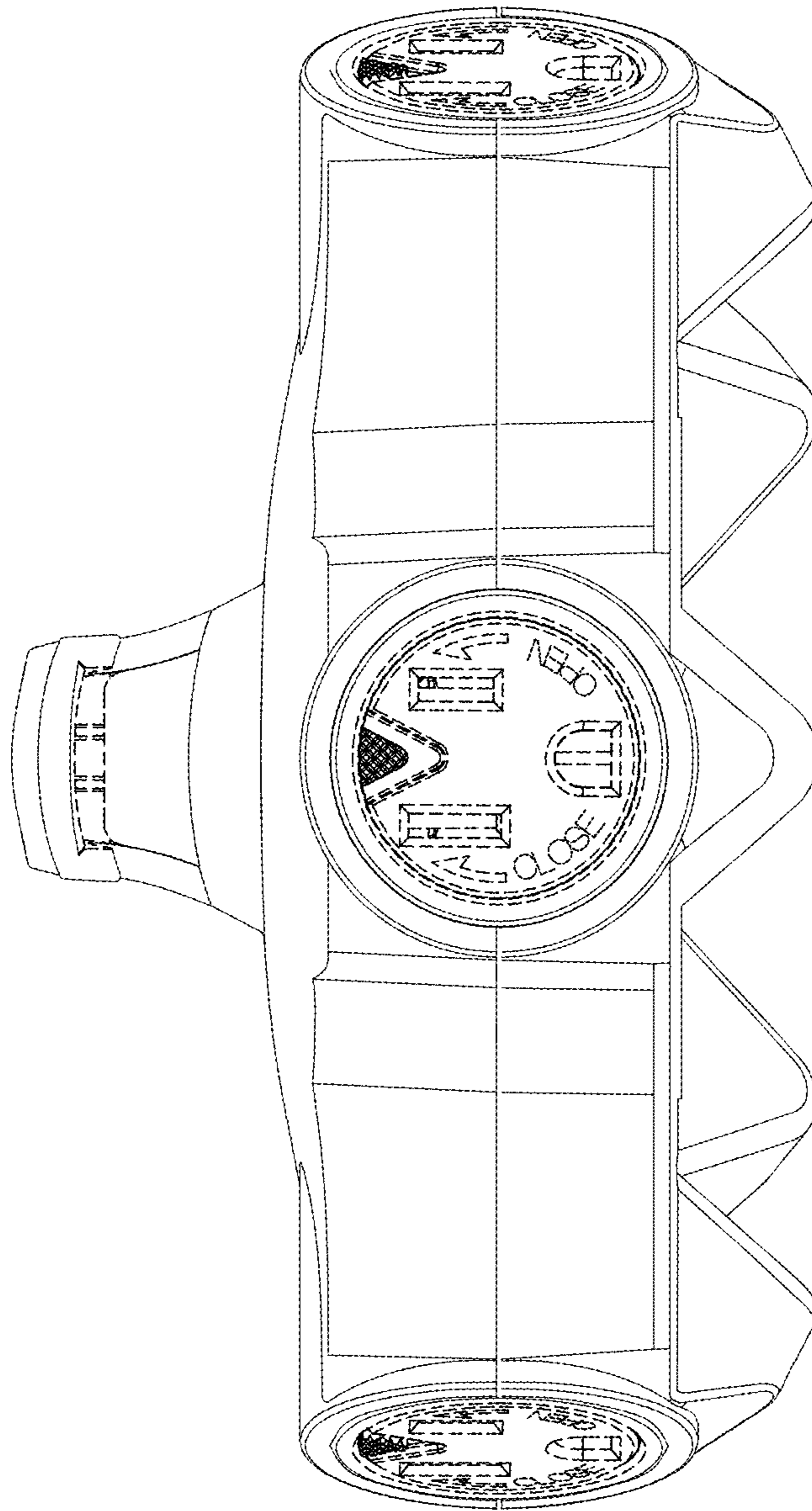


FIG. 2

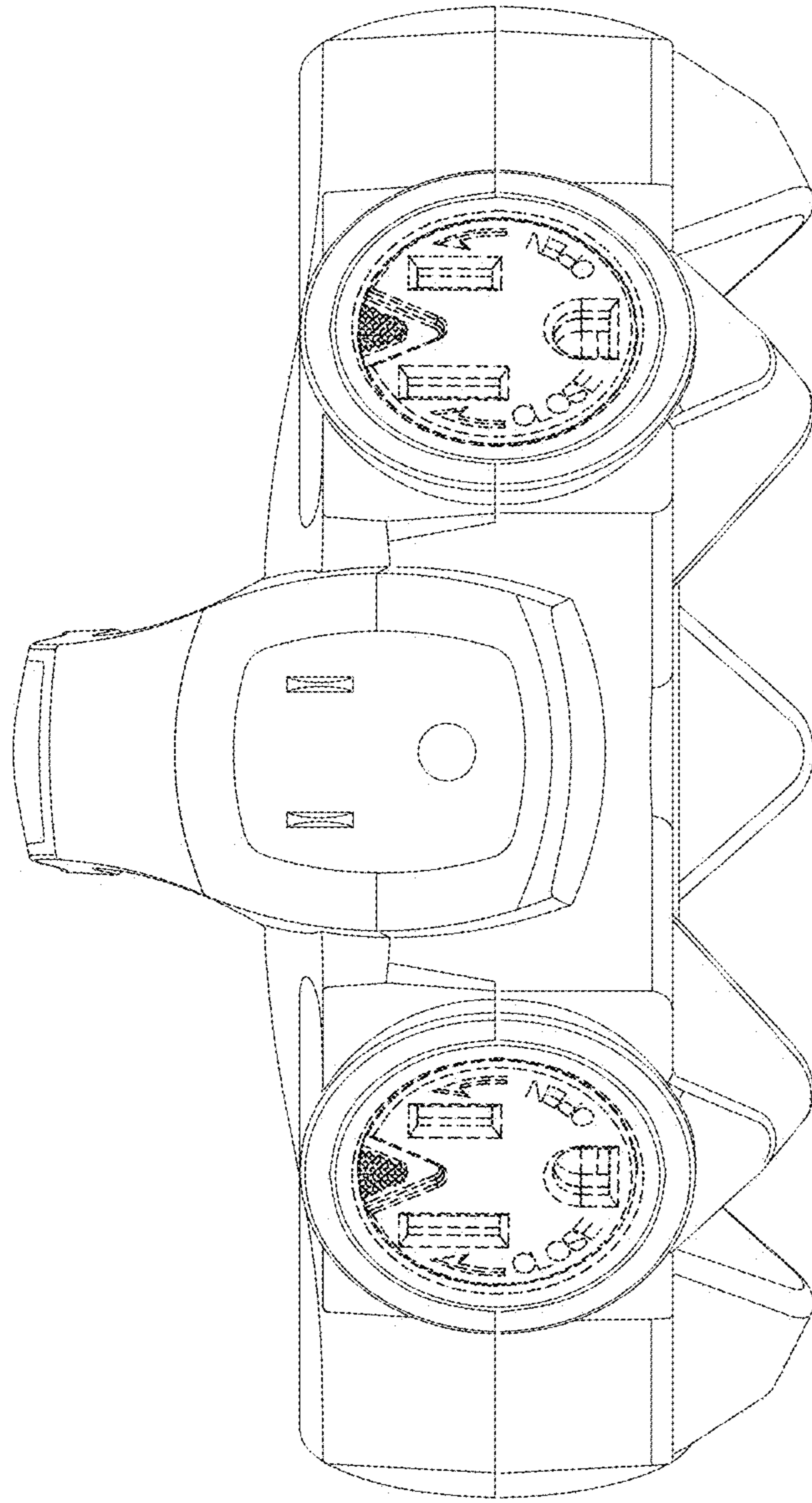


FIG. 3

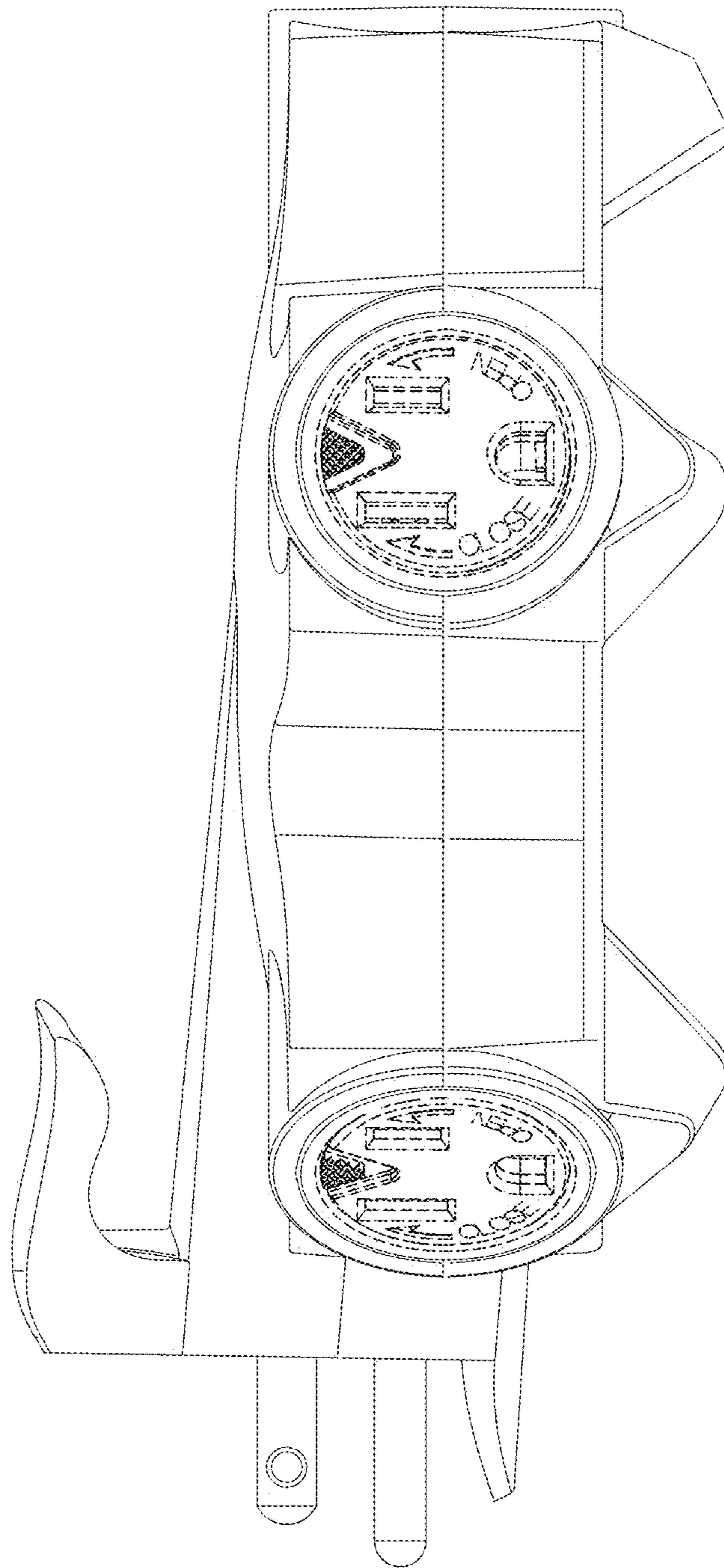


FIG. 4

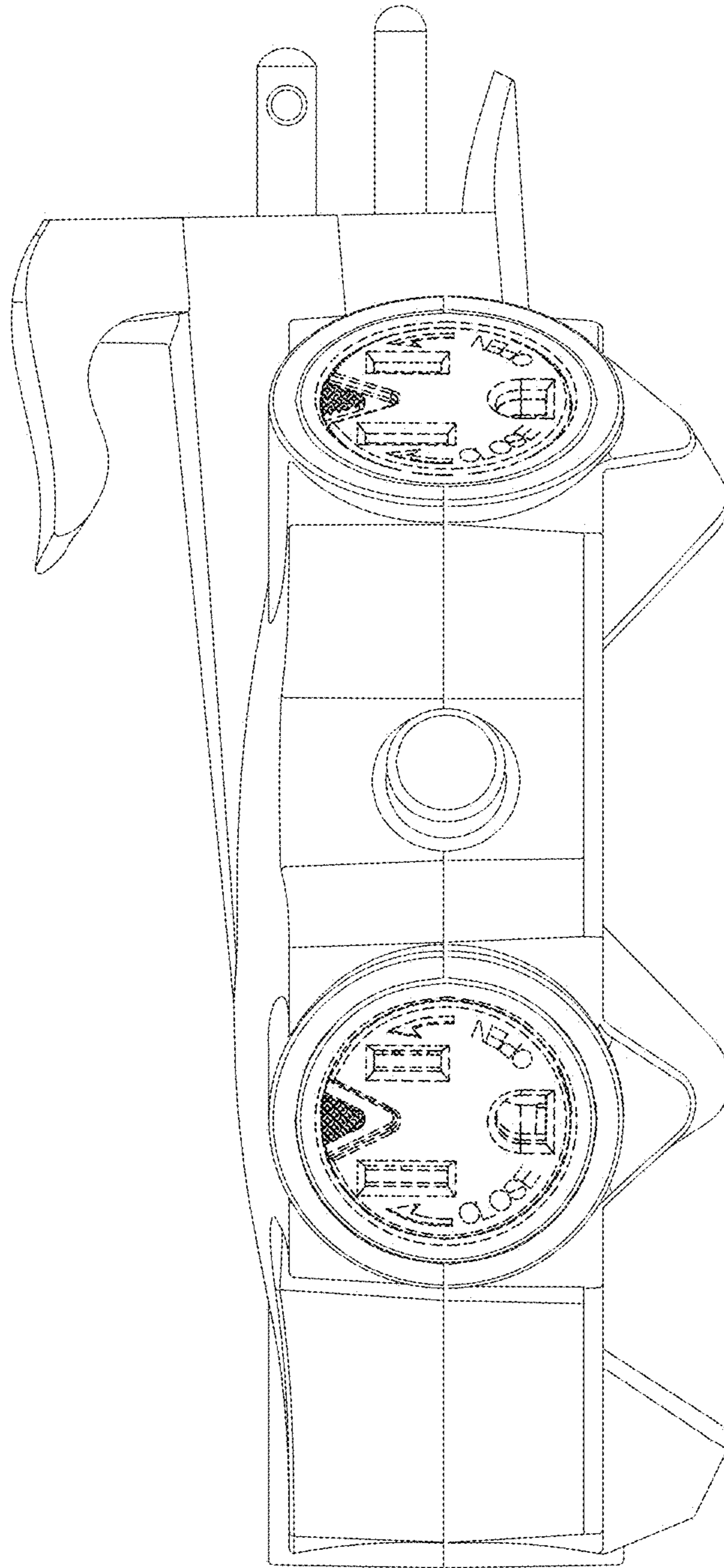


FIG. 5

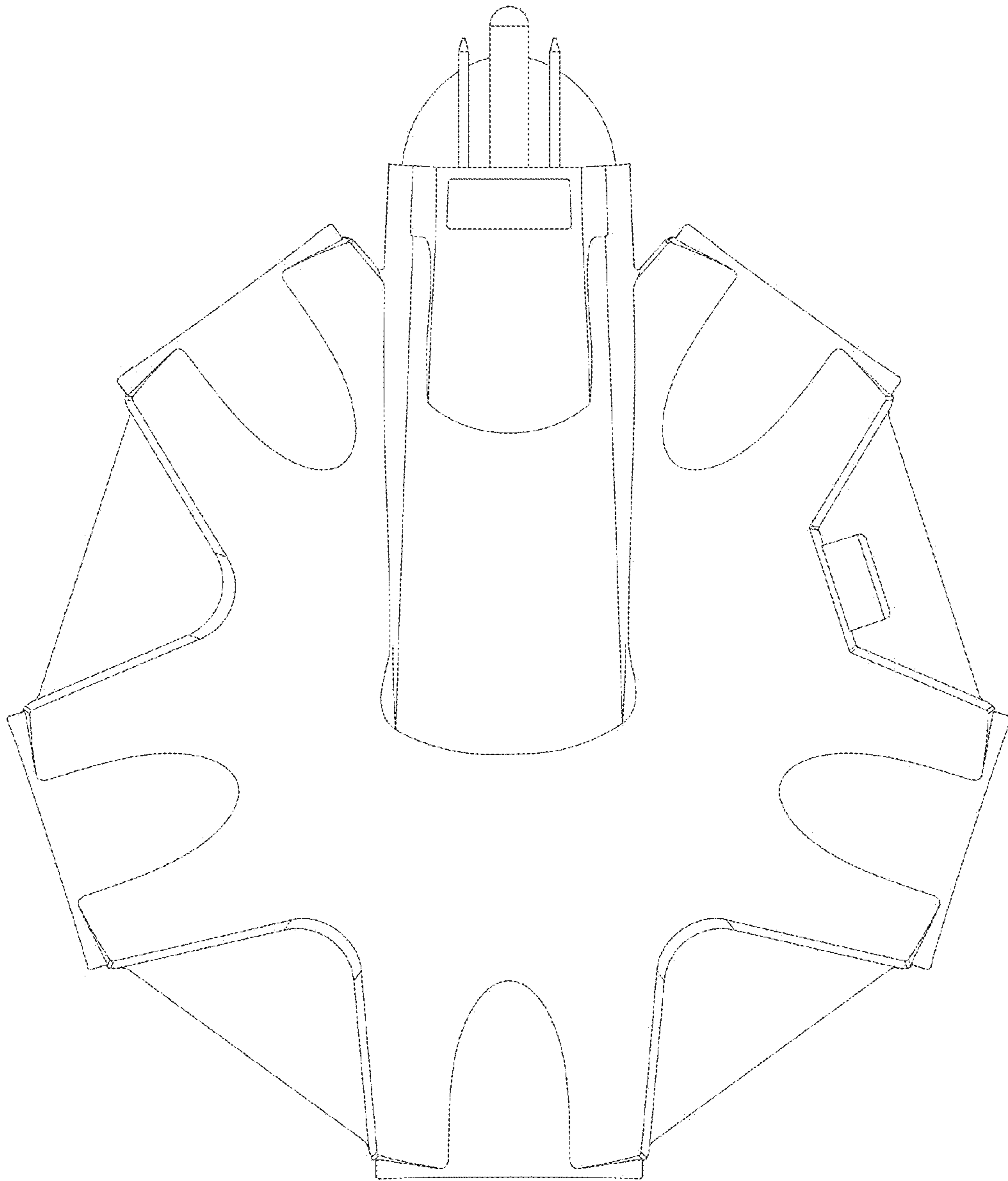


FIG. 6

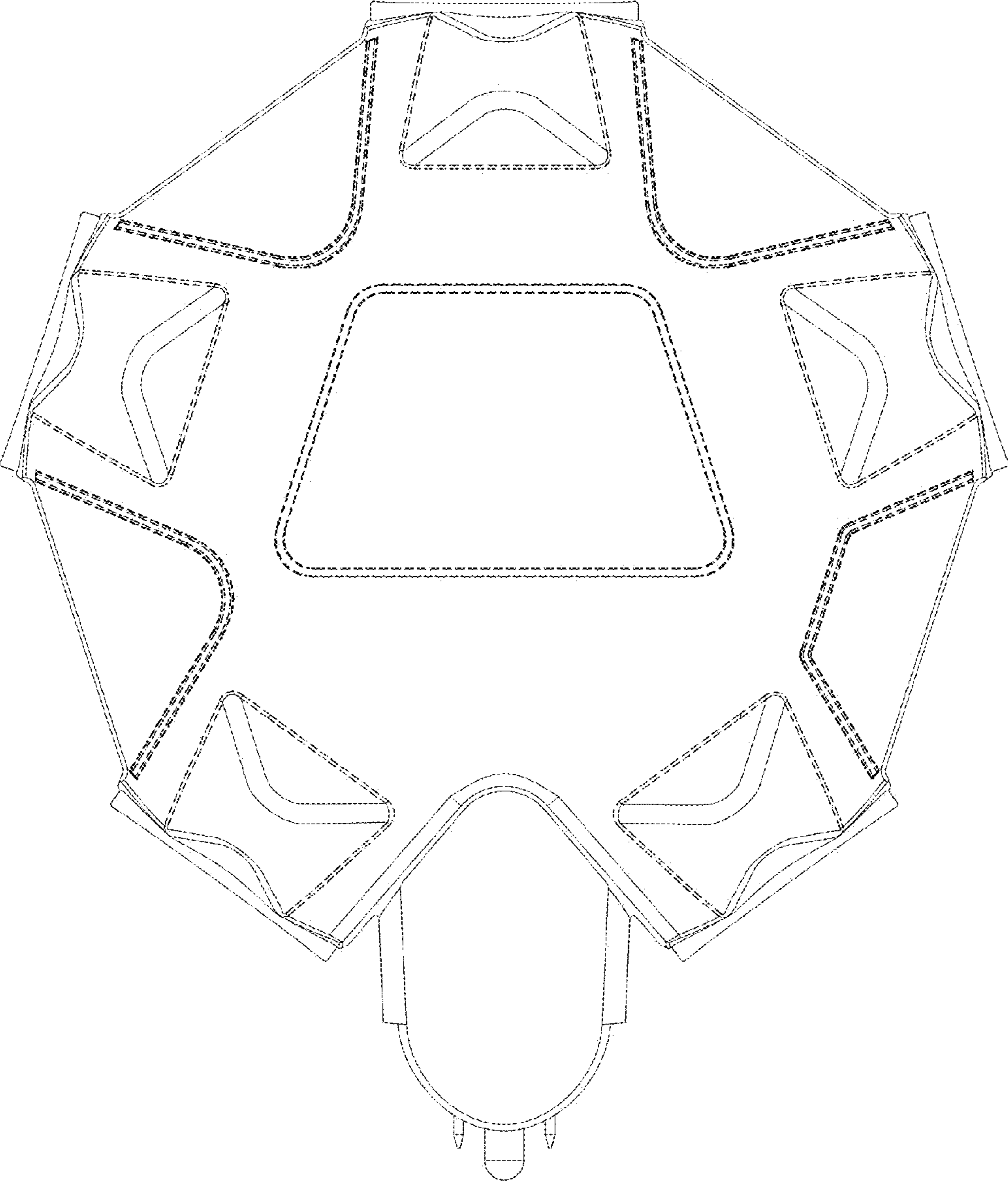


FIG. 7