



US00D736709S

(12) **United States Design Patent**
Byrne et al.

(10) **Patent No.:** **US D736,709 S**
(45) **Date of Patent:** **** Aug. 18, 2015**

(54) **ELECTRICAL POWER UNIT FOR A WORK SURFACE**

(71) Applicant: **Norman R. Byrne**, Ada, MI (US)

(72) Inventors: **Daniel P. Byrne**, Lowell, MI (US);
Chad Zimmerman, Hastings, MI (US);
William F. Schacht, Grand Rapids, MI (US);
Randell E. Pate, Jenison, MI (US);
Brent A. Reame, Grand Rapids, MI (US);
Timothy J. Warwick, Sparta, MI (US)

(**) Term: **14 Years**

(21) Appl. No.: **29/485,698**

(22) Filed: **Mar. 21, 2014**

Related U.S. Application Data

(62) Division of application No. 29/452,252, filed on Apr. 15, 2013.

(51) **LOC (10) Cl.** **13-03**

(52) **U.S. Cl.**
USPC **D13/137.1**

(58) **Field of Classification Search**
USPC D13/137.1-137.4, 139.1-139.8, 199;
220/3.2-3.8, 3.94; 174/56, 48, 55, 57,
174/392, 490, 53, 58; 439/539, 131, 214,
439/215, 535, 538, 544, 571, 721, 652, 738,
439/723

See application file for complete search history.

(56) **References Cited**

U.S. PATENT DOCUMENTS

D78,966 S	7/1929	Conner	
D162,509 S	3/1951	Austin	
D195,463 S	6/1963	Tamarin	
4,240,688 A *	12/1980	Sotolongo	439/535
4,463,998 A *	8/1984	Reavis et al.	439/137
D288,298 S	2/1987	Yang	

D306,012 S *	2/1990	Oesterheld et al.	D13/139.8
D350,939 S *	9/1994	Rossmann et al.	D13/139.8
D368,893 S *	4/1996	Harwood et al.	D13/139.8
5,566,053 A	10/1996	Chou	
D379,796 S *	6/1997	Bagga	D13/139.4
D382,855 S *	8/1997	Salmond et al.	D13/139.8
D389,459 S	1/1998	Byrne	
5,738,548 A	4/1998	Rutulante	
5,748,424 A *	5/1998	Hung	361/56
D405,416 S	2/1999	Byrne	
D409,980 S	5/1999	Byrne	
5,984,728 A *	11/1999	Chen et al.	439/620.22

(Continued)

Primary Examiner — Holly Baynham

Assistant Examiner — Rhea Shields

(74) *Attorney, Agent, or Firm* — Gardner, Linn, Burkhart & Flory, LLP

(57) **CLAIM**

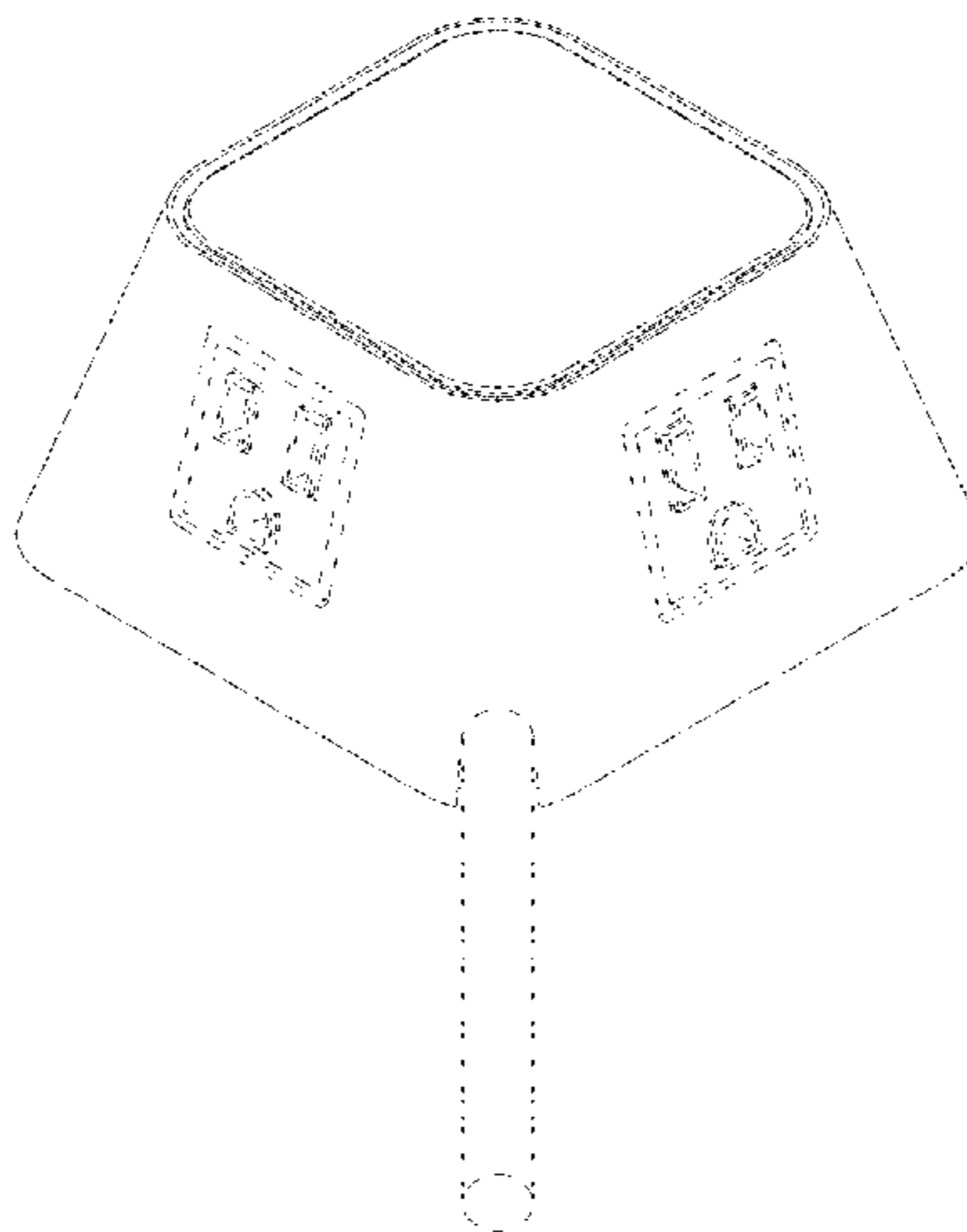
The ornamental design for an electrical power unit for a work surface, as shown and described.

DESCRIPTION

FIG. 1 is a rear perspective view of an electrical power unit for a work surface showing our new design;
FIG. 2 is a front perspective view of the electrical power unit for a work surface of FIG. 1;
FIG. 3 is a top plan view of the electrical power unit for a work surface of FIG. 1;
FIG. 4 is a bottom plan view of the electrical power unit for a work surface of FIG. 1;
FIG. 5 is a rear-right elevation of the electrical power unit for a work surface of FIG. 1;
FIG. 6 is a front-right elevation of the electrical power unit for a work surface of FIG. 1;
FIG. 7 is a front-left elevation of the electrical power unit for a work surface of FIG. 1; and,
FIG. 8 is a rear-left elevation of the electrical power unit for a work surface of FIG. 1.

In the drawings, the broken lines depict unclaimed subject matter only and form no part of the claimed design.

1 Claim, 2 Drawing Sheets



(56)

References Cited

U.S. PATENT DOCUMENTS

D418,815 S	1/2000	Byrne	7,112,097 B1	9/2006	Lam
6,081,356 A	6/2000	Branc et al.	D591,233 S *	4/2009	Kagami et al. D13/108
6,580,388 B1	6/2003	Stoyanov et al.	D626,071 S *	10/2010	Su et al. D13/139.8
6,717,053 B2	4/2004	Rupert	D636,728 S *	4/2011	Terleski et al. D13/139.4
6,875,051 B2	4/2005	Pizak	D651,974 S *	1/2012	Benedetti D13/137.2
D528,508 S *	9/2006	Tan et al. D13/139.8	D653,215 S	1/2012	Lam
			2006/0258195 A1	11/2006	Schwartz et al.
			2007/0275594 A1	11/2007	Greenberg
			2009/0294147 A1*	12/2009	Stockton 174/56

* cited by examiner

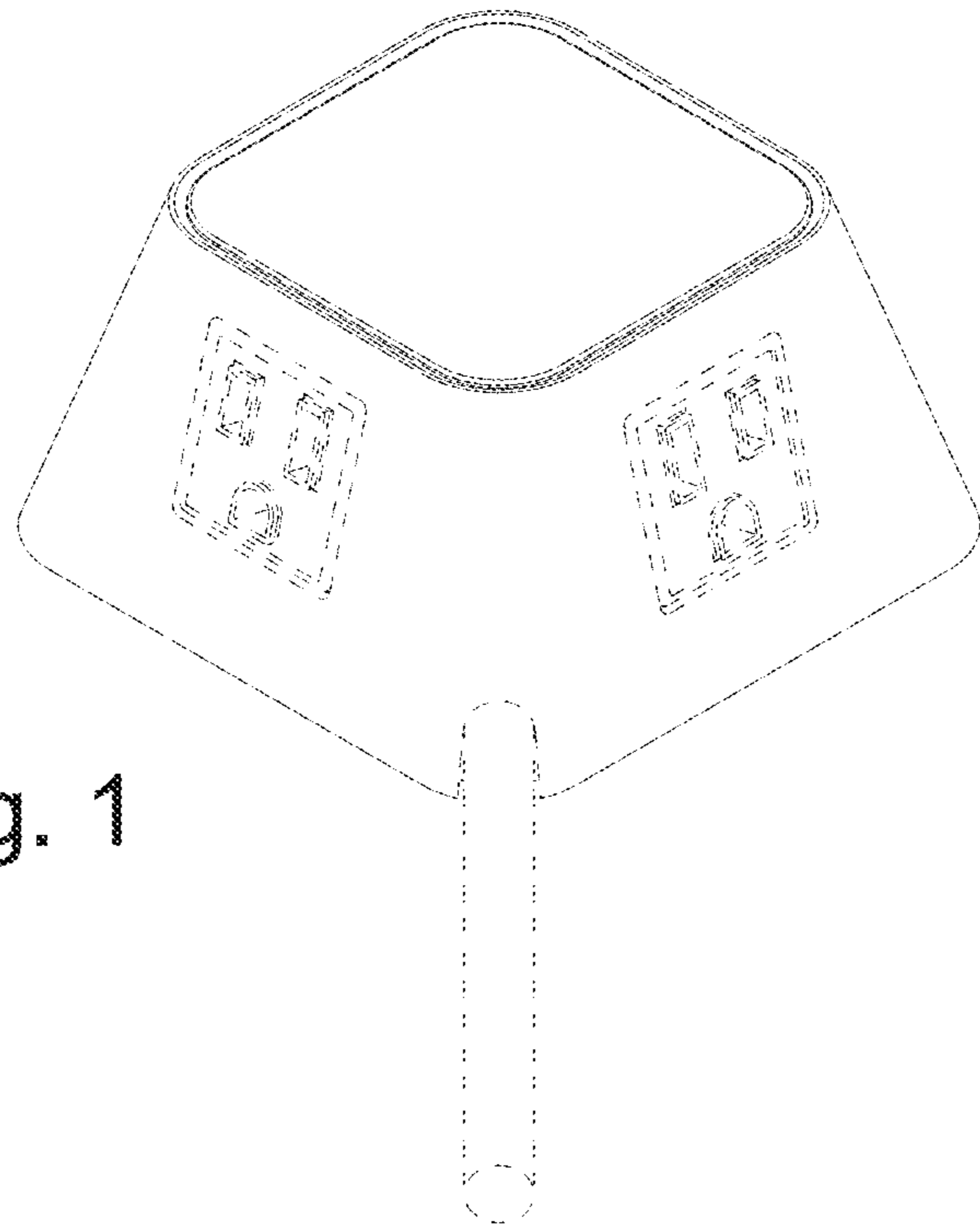


Fig. 1

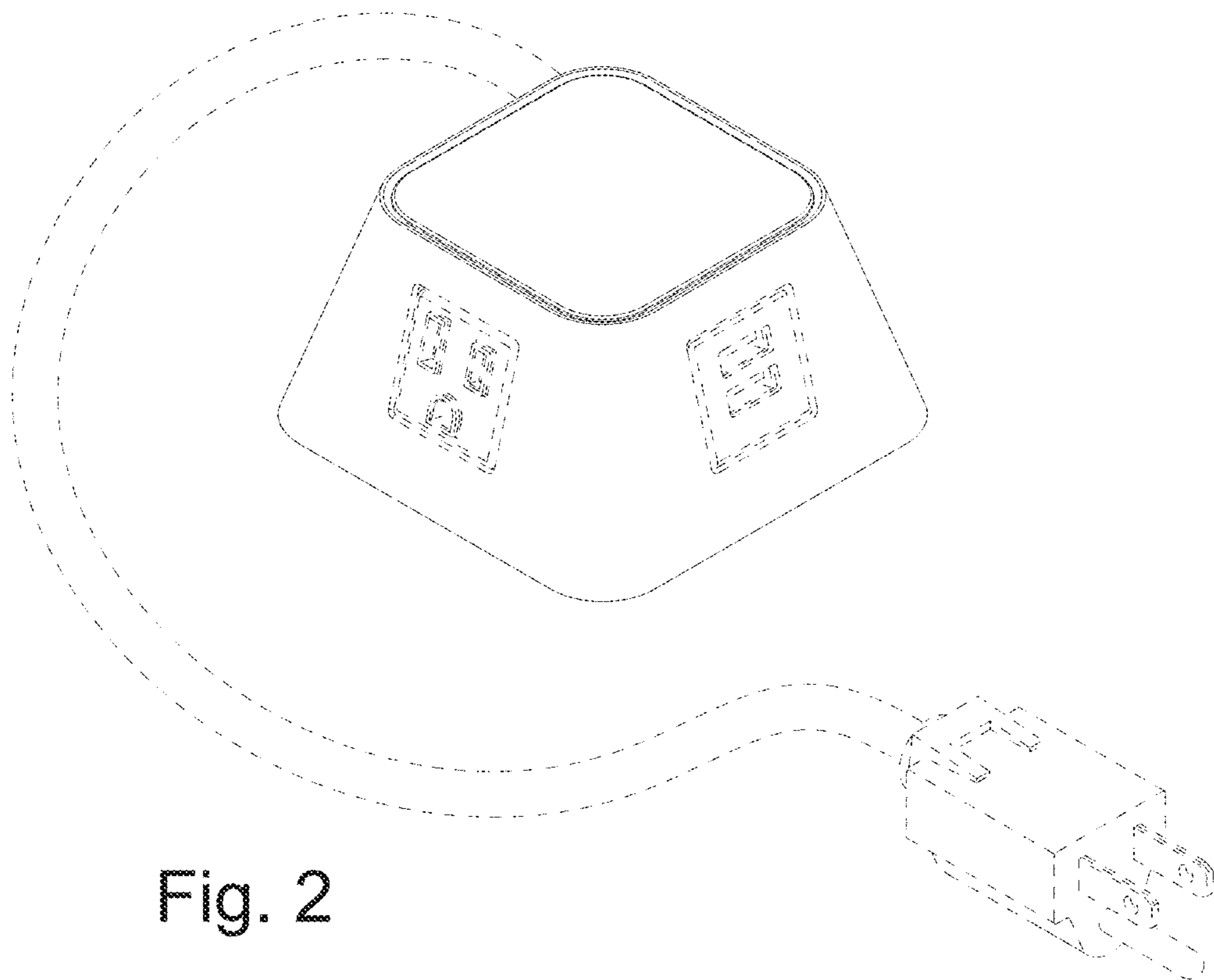


Fig. 2

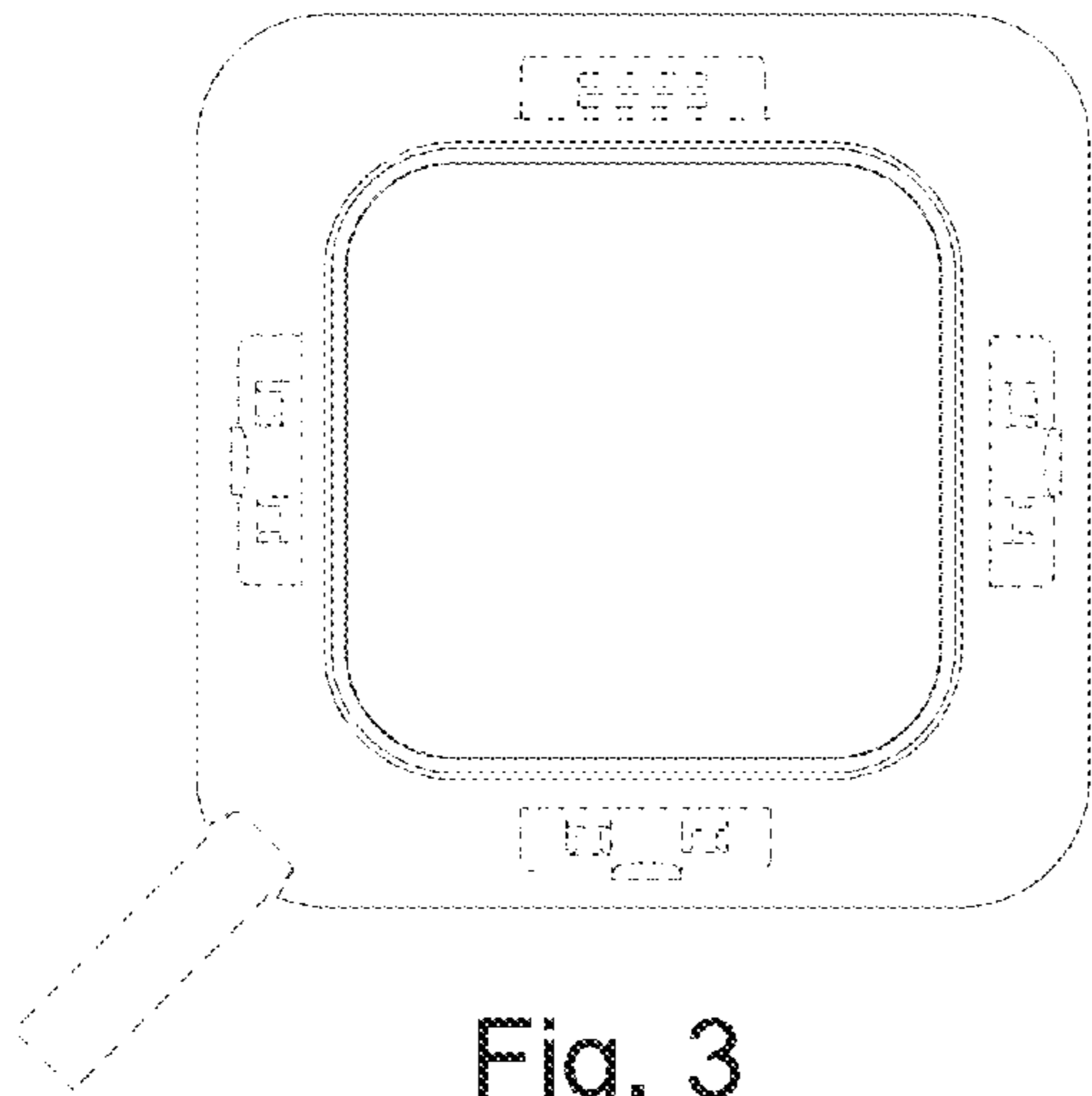


Fig. 3

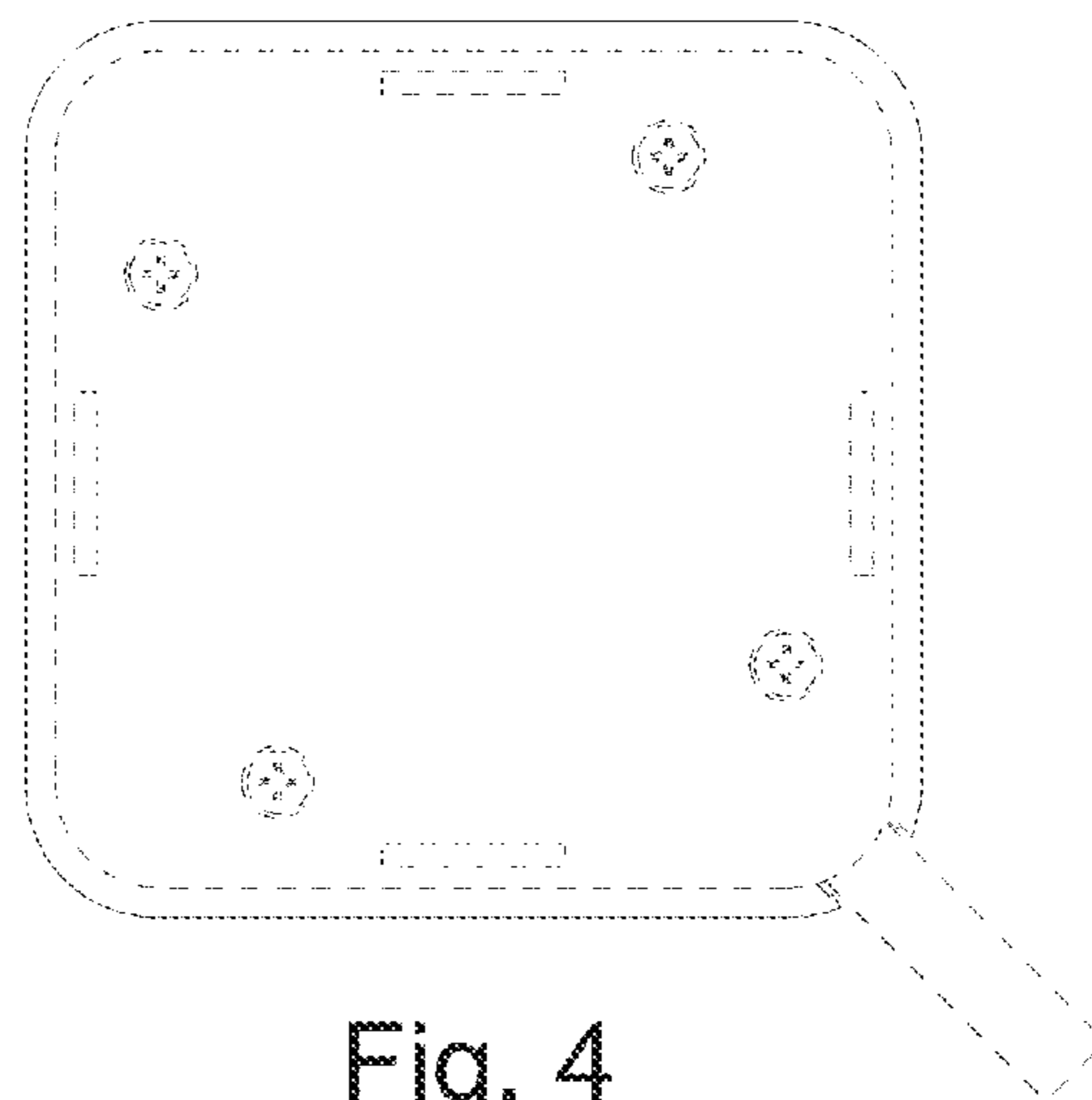


Fig. 4

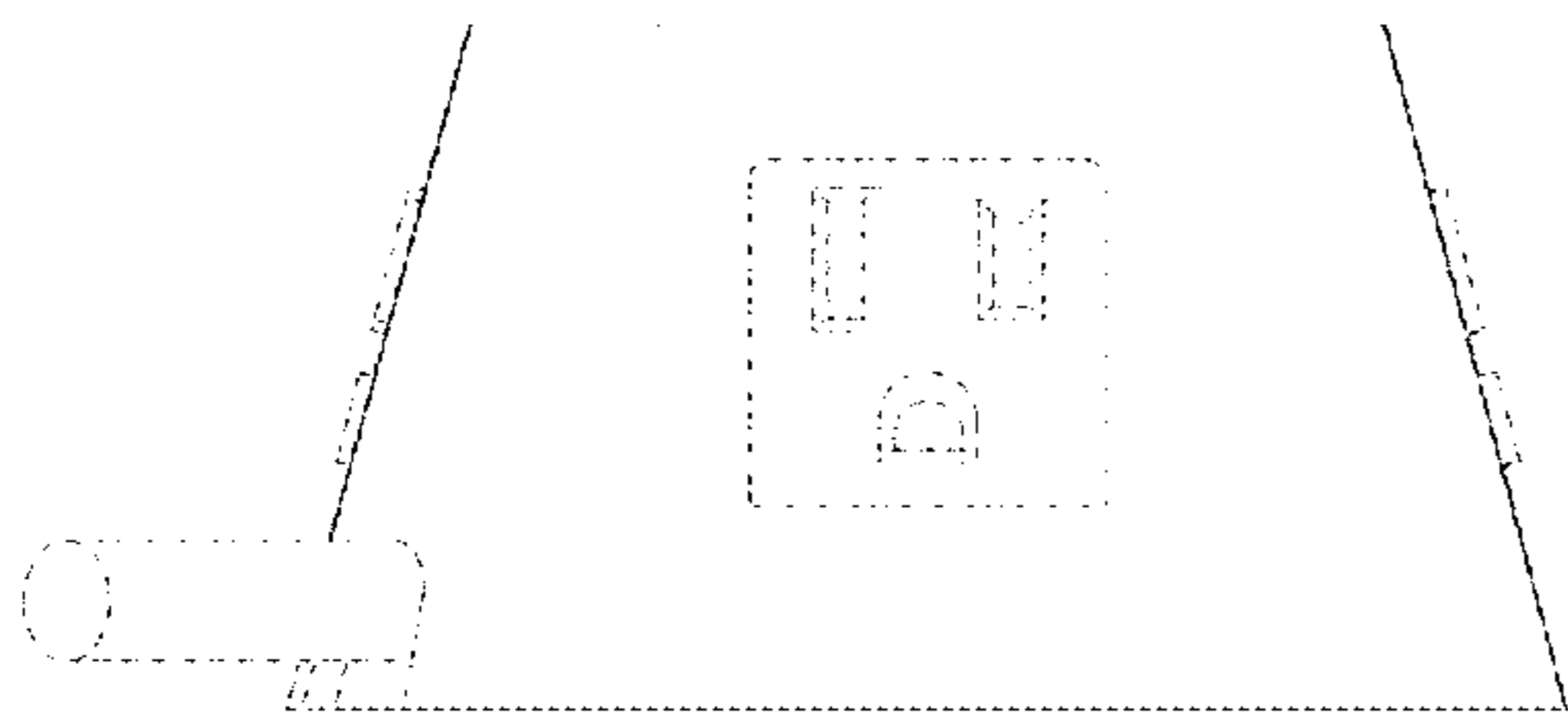


Fig. 5

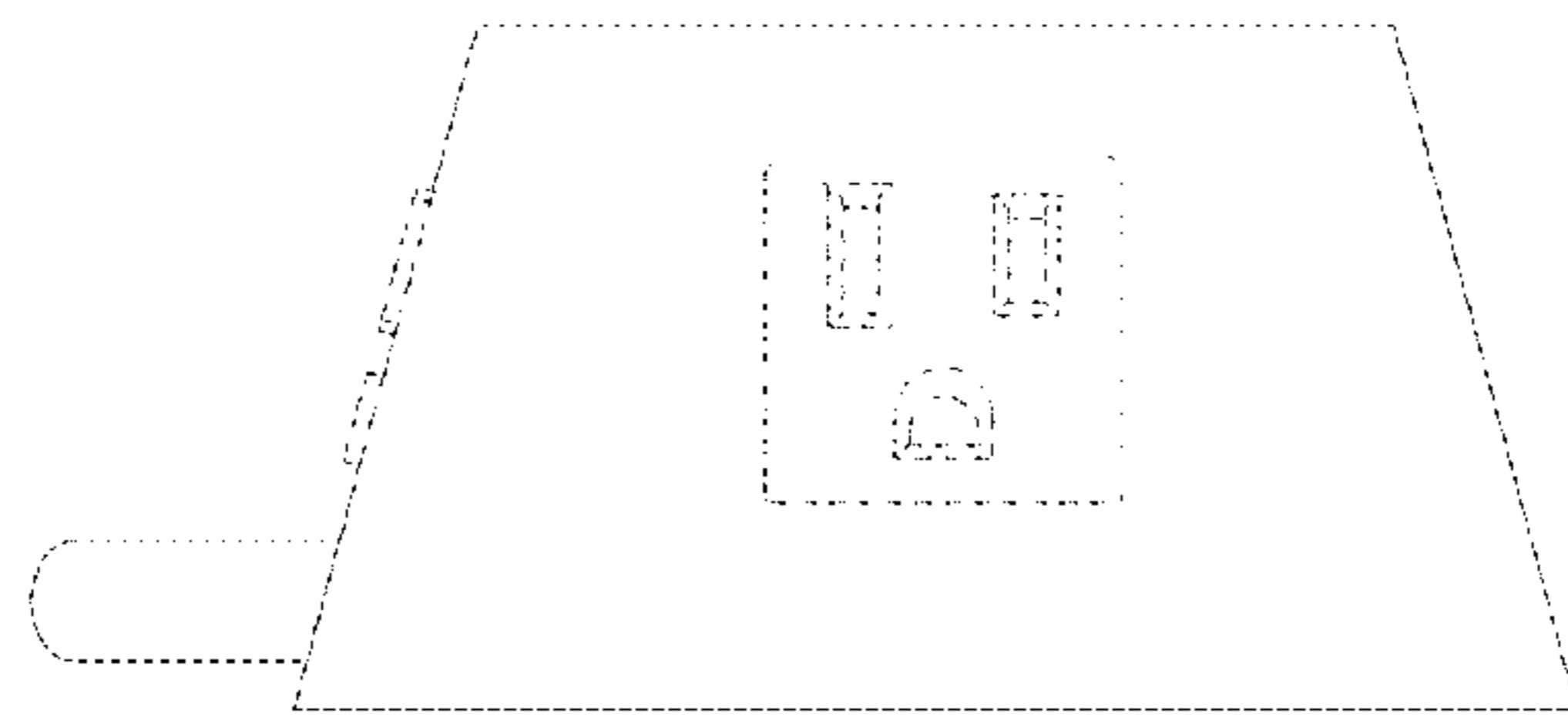


Fig. 6

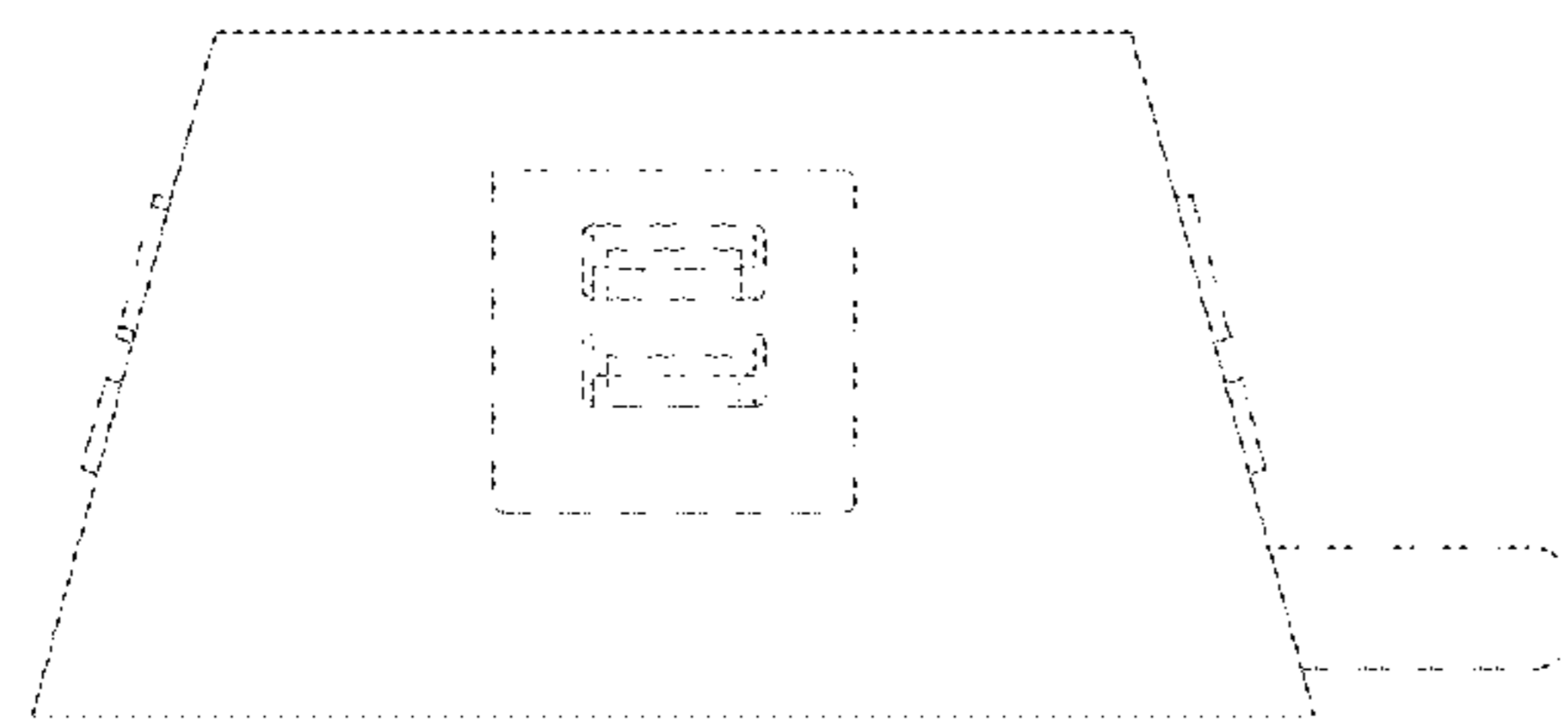


Fig. 7

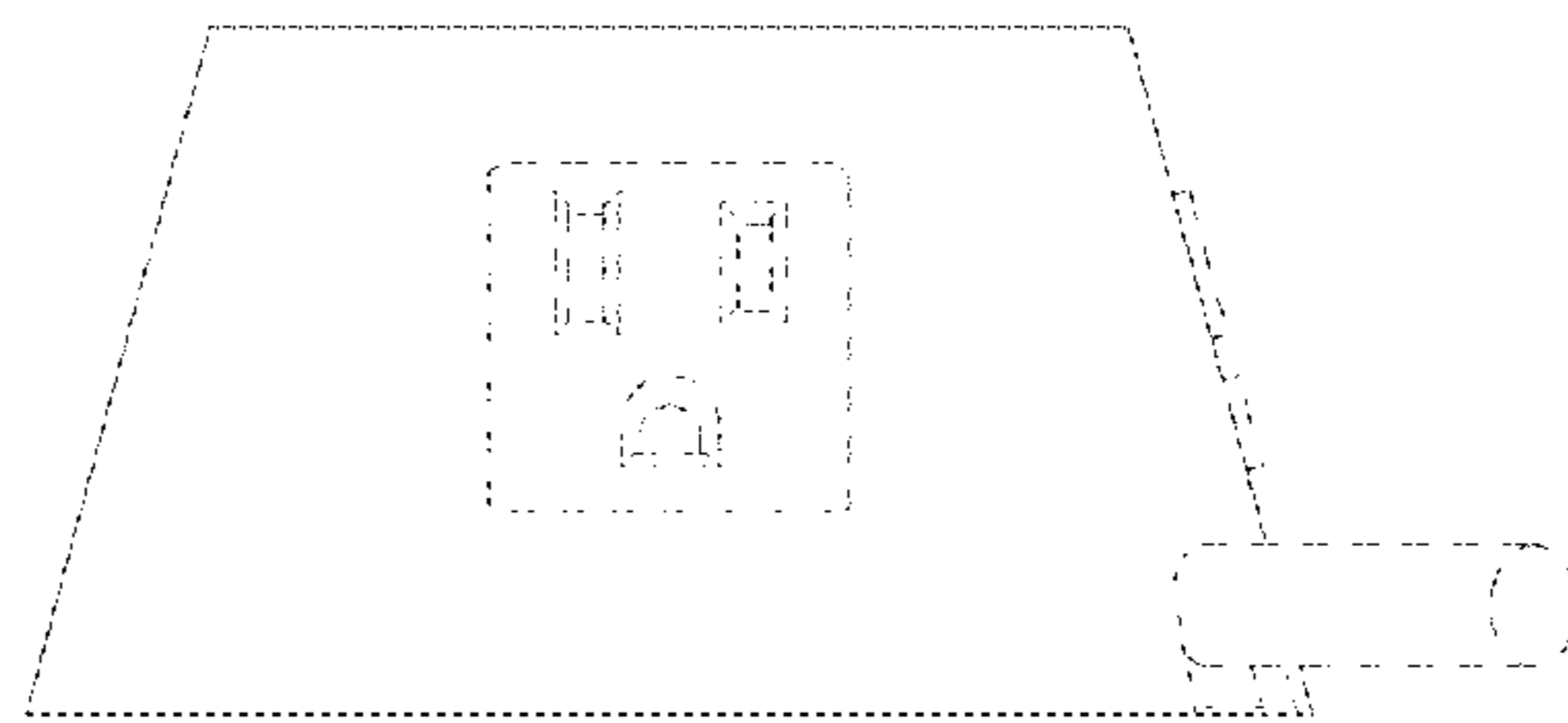


Fig. 8

UNITED STATES PATENT AND TRADEMARK OFFICE
CERTIFICATE OF CORRECTION

PATENT NO. : D736,709 S
APPLICATION NO. : 29/485698
DATED : August 18, 2015
INVENTOR(S) : Daniel P. Byrne et al.

Page 1 of 4

It is certified that error appears in the above-identified patent and that said Letters Patent is hereby corrected as shown below:

On the Title Page

Delete the title page and substitute therefore with the attached title page consisting of the corrected illustrative figure.

In the Drawings

Please replace FIGS. 1-8 with FIGS. 1-8 as shown on the attached pages.

Signed and Sealed this
Eighteenth Day of April, 2017



Michelle K. Lee
Director of the United States Patent and Trademark Office

(12) **United States Design Patent**
Byrne et al.

(10) **Patent No.:** **US D736,709 S**
(45) **Date of Patent:** **** Aug. 18, 2015**

(54) **ELECTRICAL POWER UNIT FOR A WORK SURFACE**

(71) Applicant: **Norman R. Byrne**, Ada, MI (US)

(72) Inventors: **Daniel P. Byrne**, Lowell, MI (US);
Chad Zimmerman, Hastings, MI (US);
William F. Schacht, Grand Rapids, MI (US);
Randell E. Pate, Jenison, MI (US);
Brent A. Reame, Grand Rapids, MI (US);
Timothy J. Warwick, Sparta, MI (US)

(**) Term: **14 Years**

(21) Appl. No.: **29/485,698**

(22) Filed: **Mar. 21, 2014**

Related U.S. Application Data

(62) Division of application No. 29/452,252, filed on Apr. 15, 2013.

(51) **LOC (10) CL** **13-03**

(52) **U.S. CL** **D13/137.1**
USPC

(58) **Field of Classification Search**
USPC D13/137.1 137.4, 139.1 139.8, 199;
220/3.2 3.8, 3.94; 174/56. 48, 55, 57,
174/392, 490, 53, 58; 439/539, 131, 214,
439/215, 535, 538, 544, 571, 721, 652, 738,
439/723

See application file for complete search history.

(56) **References Cited**

U.S. PATENT DOCUMENTS

D78,966 S	7/1929	Conner	
D162,509 S	3/1951	Austin	
D195,463 S	6/1963	Iamarin	
4,240,688 A *	12/1980	Sotolongo	439:535
4,463,998 A *	8/1984	Reavis et al.	439:137
D288,298 S	2/1987	Yang	

D306,012 S *	2/1990	Oesterheld et al.	D13:139.8
D350,939 S *	9/1994	Rossmann et al.	D13:139.8
D368,893 S *	4/1996	Harwood et al.	D13:139.8
5,566,053 A	10/1996	Chou	
D379,796 S *	6/1997	Bagga	D13:139.4
D382,855 S *	8/1997	Salmend et al.	D13:139.8
D389,459 S	1/1998	Byrne	
5,738,548 A	4/1998	Rutulante	
5,748,424 A *	5/1998	Ijung	361/56
D405,416 S	2/1999	Byrne	
D409,980 S	5/1999	Byrne	
5,984,738 A *	11/1999	Chen et al.	439/670.22

(Continued)

Primary Examiner Holly Baynham

Assistant Examiner — Rhea Shields

(74) *Attorney, Agent, or Firm* — Gardner, Linn, Burkhardt & Flory, LLP

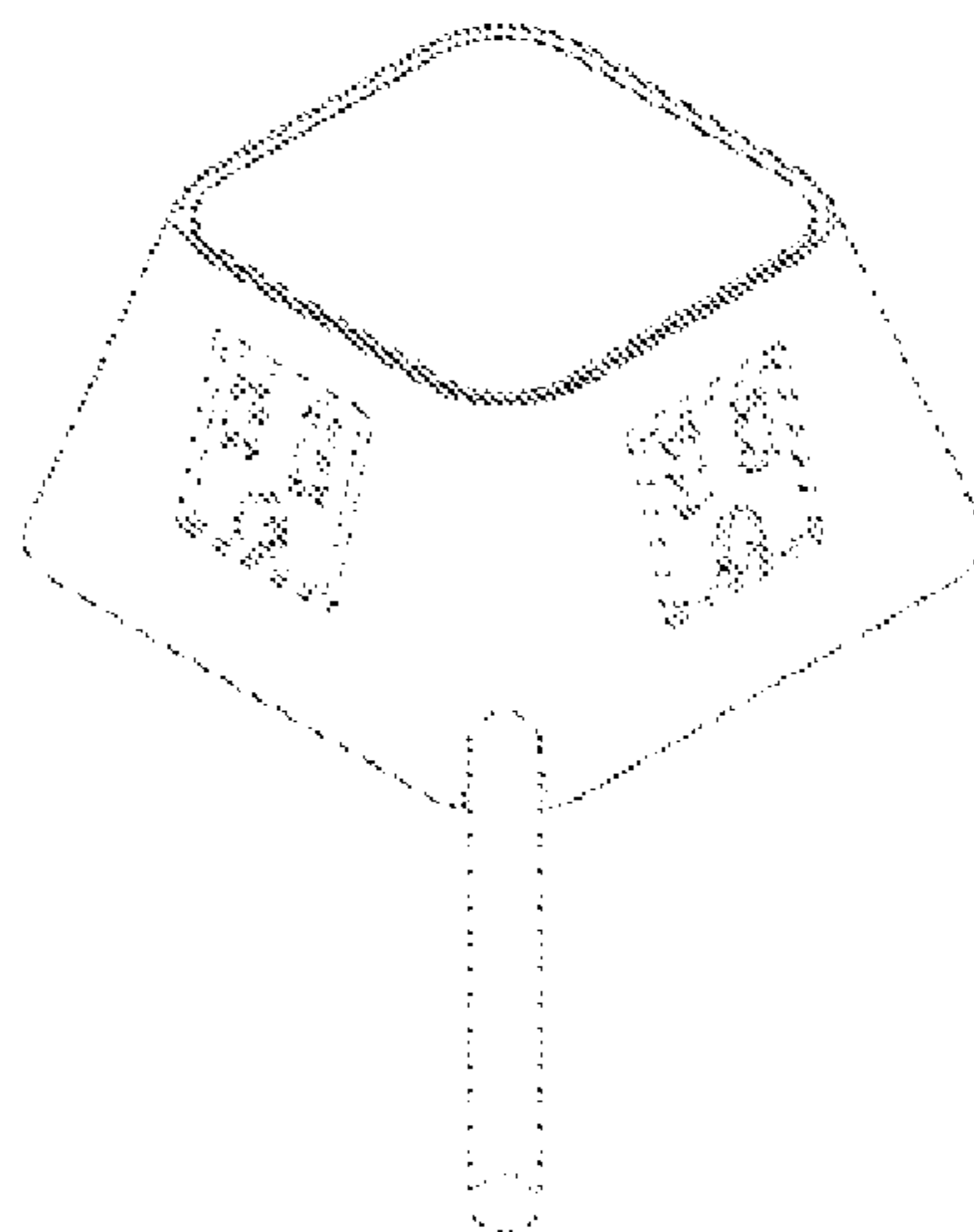
(57) **CLAIM**

The ornamental design for an electrical power unit for a work surface, as shown and described.

DESCRIPTION

FIG. 1 is a rear perspective view of an electrical power unit for a work surface showing our new design;
FIG. 2 is a front perspective view of the electrical power unit for a work surface of FIG. 1;
FIG. 3 is a topplan view of the electrical power unit for a work surface of FIG. 1;
FIG. 4 is a bottom plan view of the electrical power unit for a work surface of FIG. 1;
FIG. 5 is a rear-right elevation of the electrical power unit for a work surface of FIG. 1;
FIG. 6 is a front-right elevation of the electrical power unit for a work surface of FIG. 1;
FIG. 7 is a front-left elevation of the electrical power unit for a work surface of FIG. 1; and,
FIG. 8 is a rear-left elevation of the electrical power unit for a work surface of FIG. 1.
In the drawings, the broken lines depict unclaimed subject matter only and form no part of the claimed design.

1 Claim, 2 Drawing Sheets



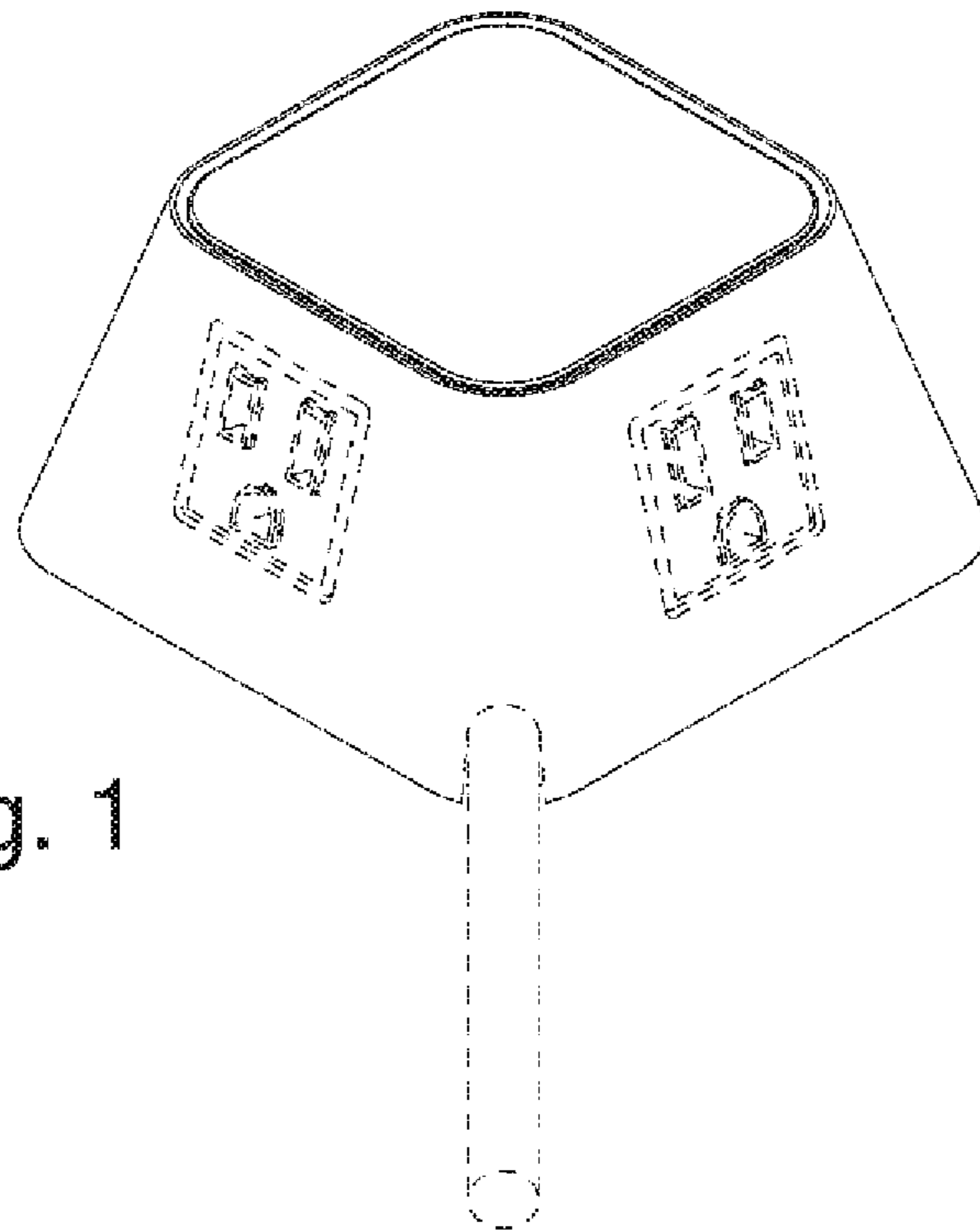


Fig. 1

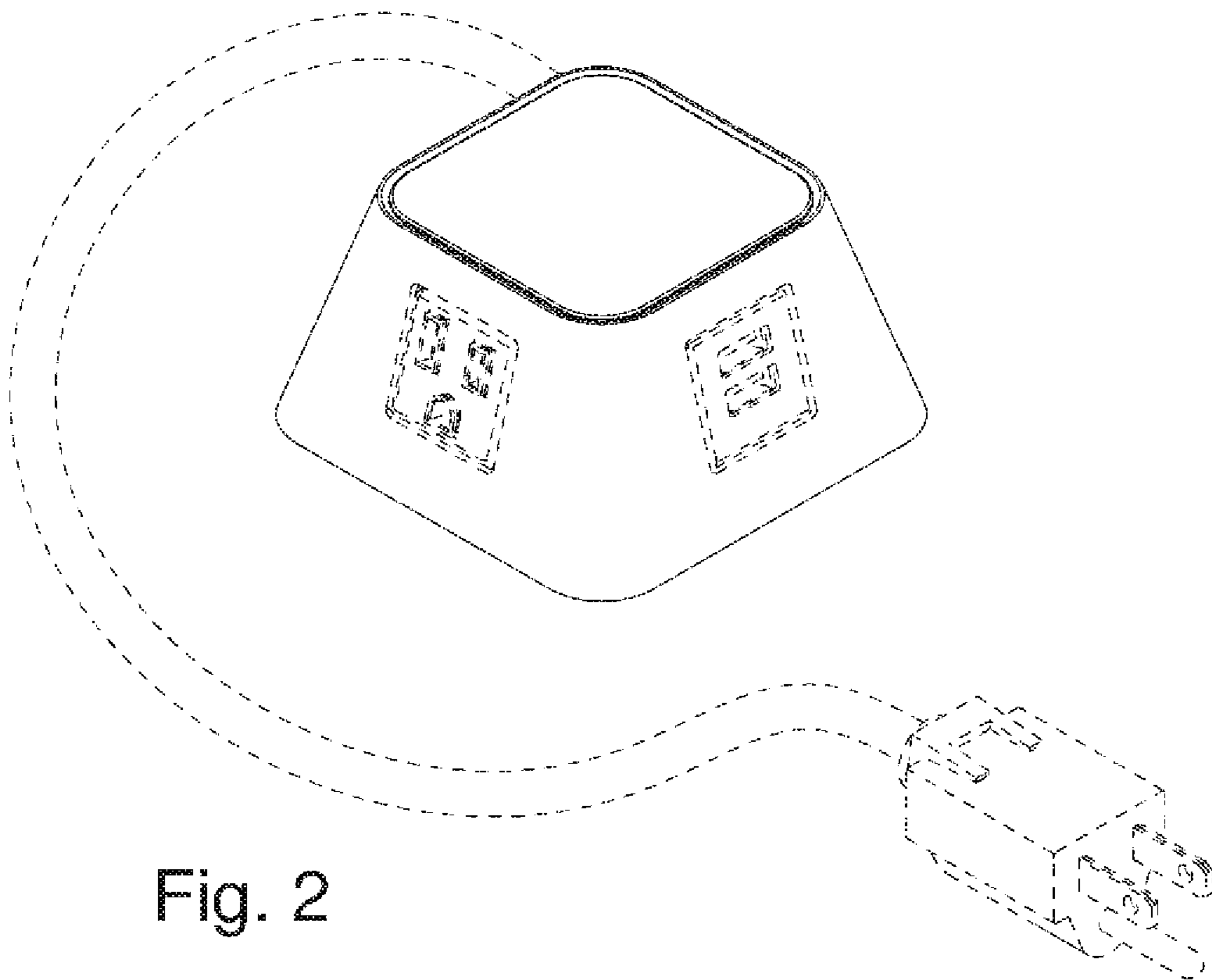


Fig. 2

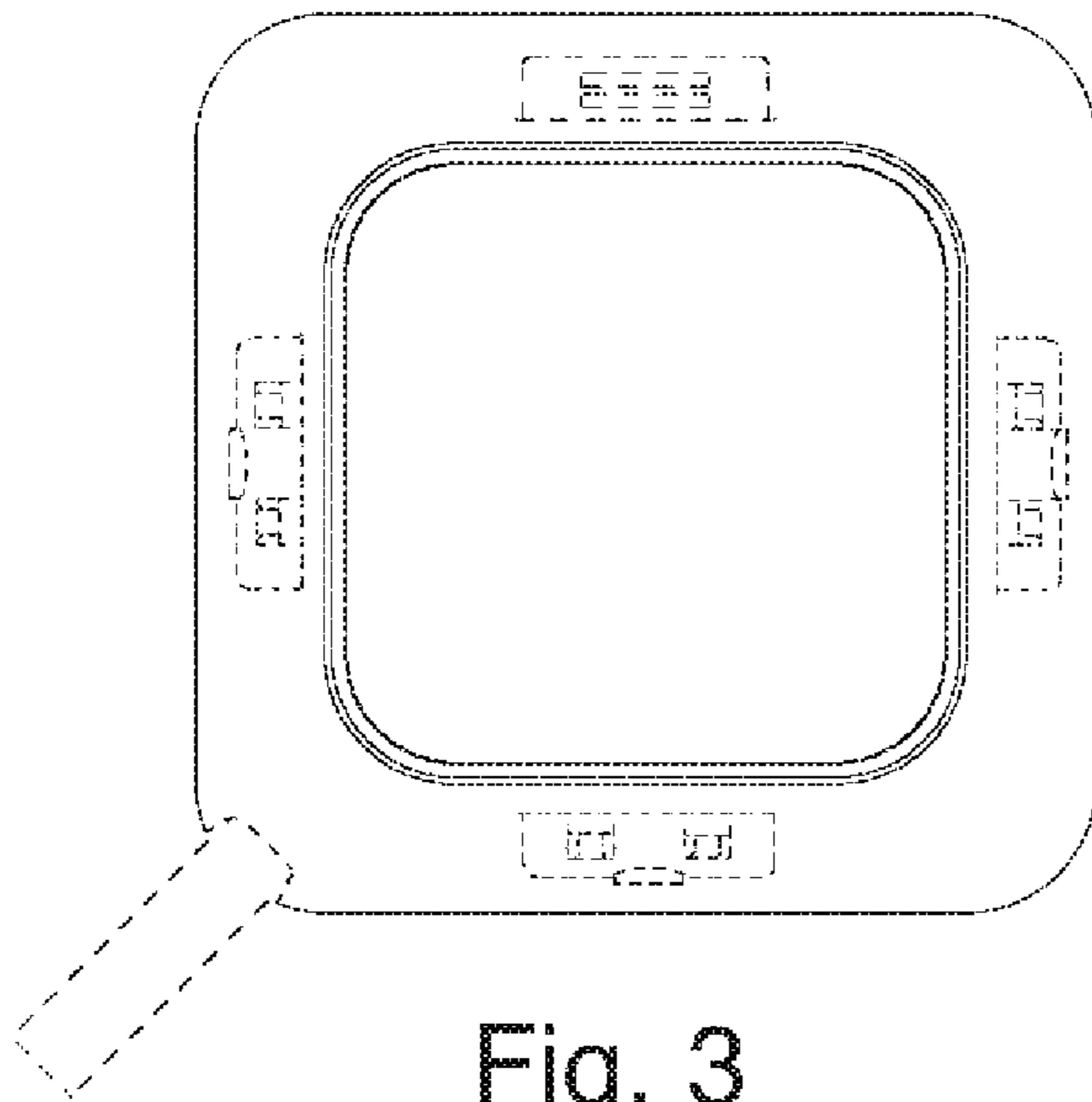


Fig. 3

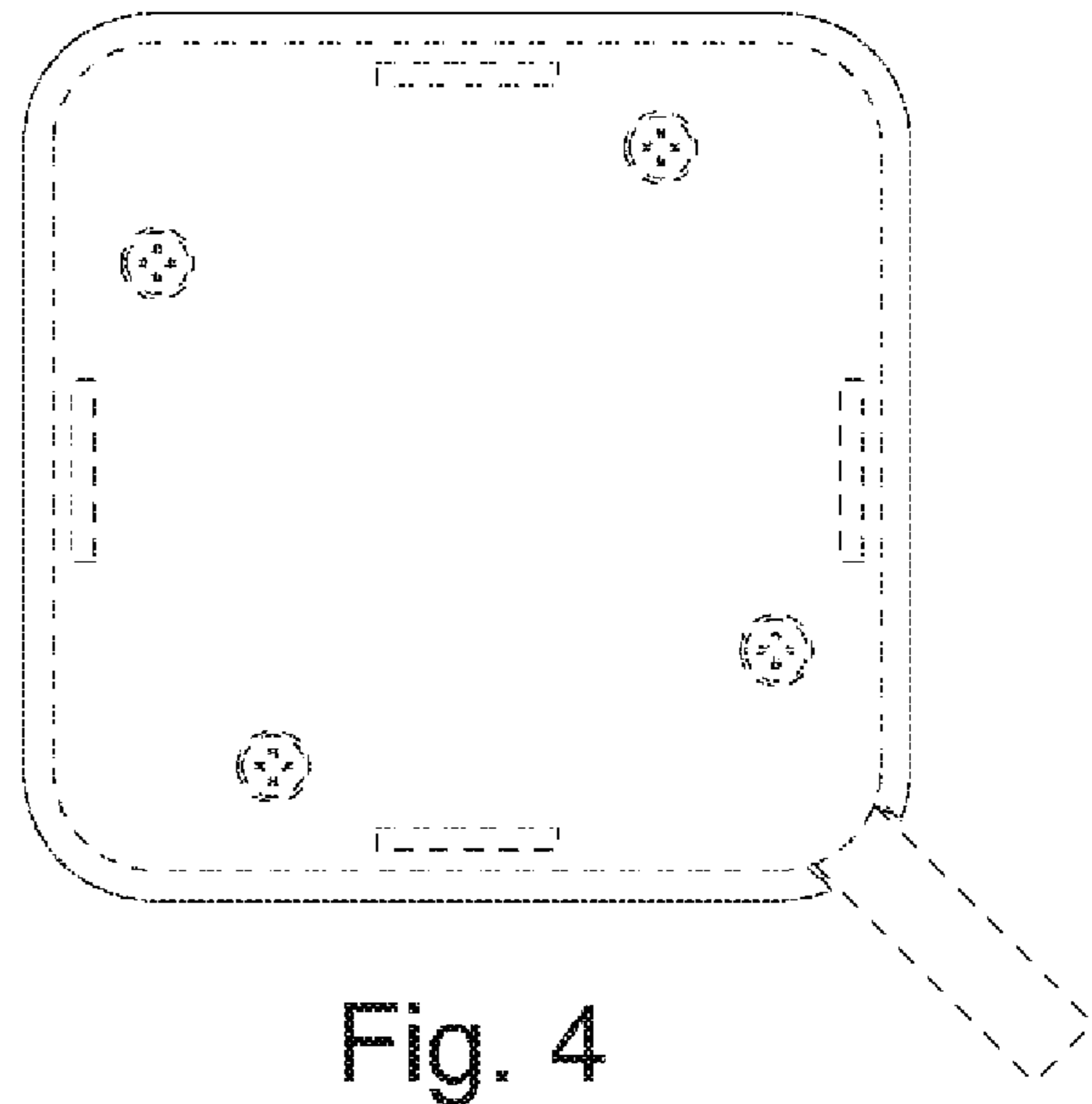


Fig. 4

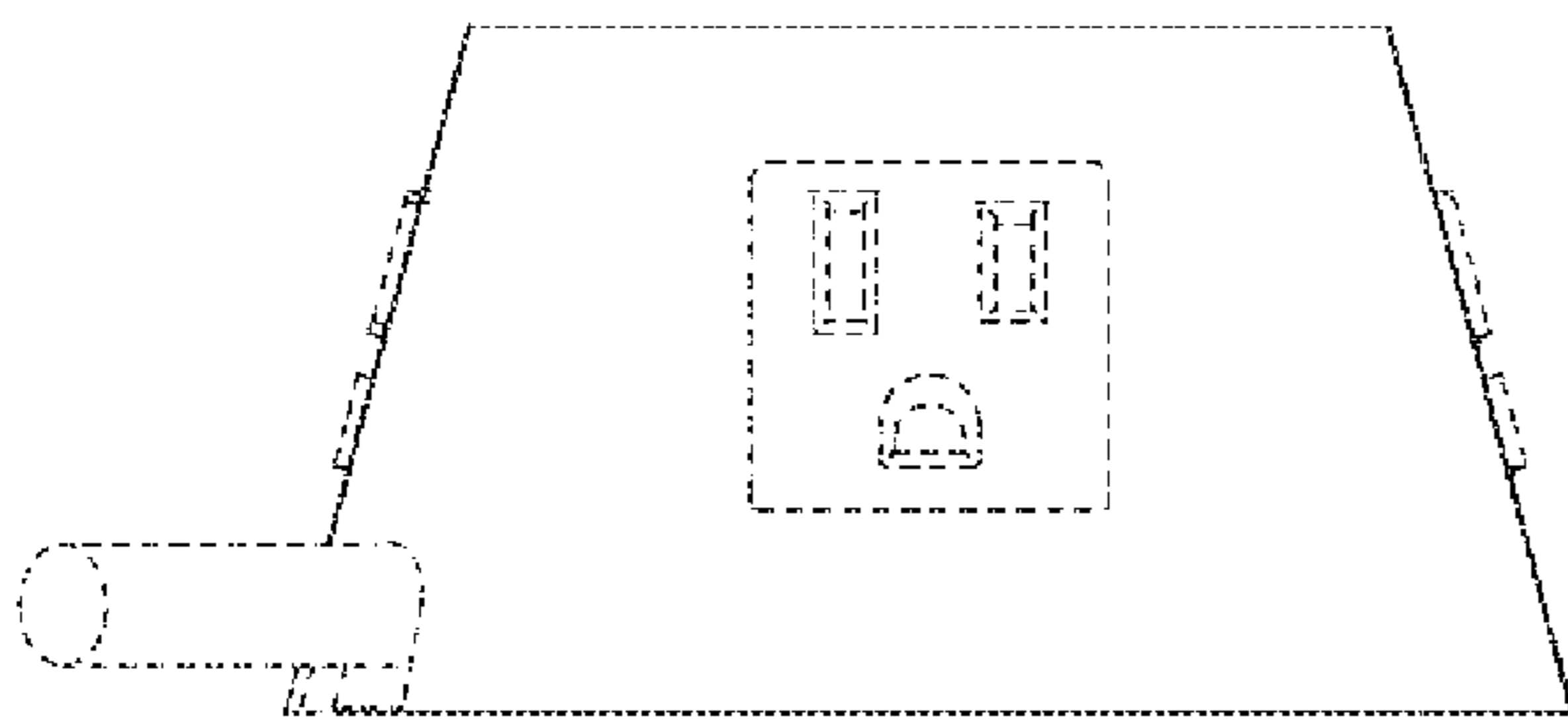


Fig. 5

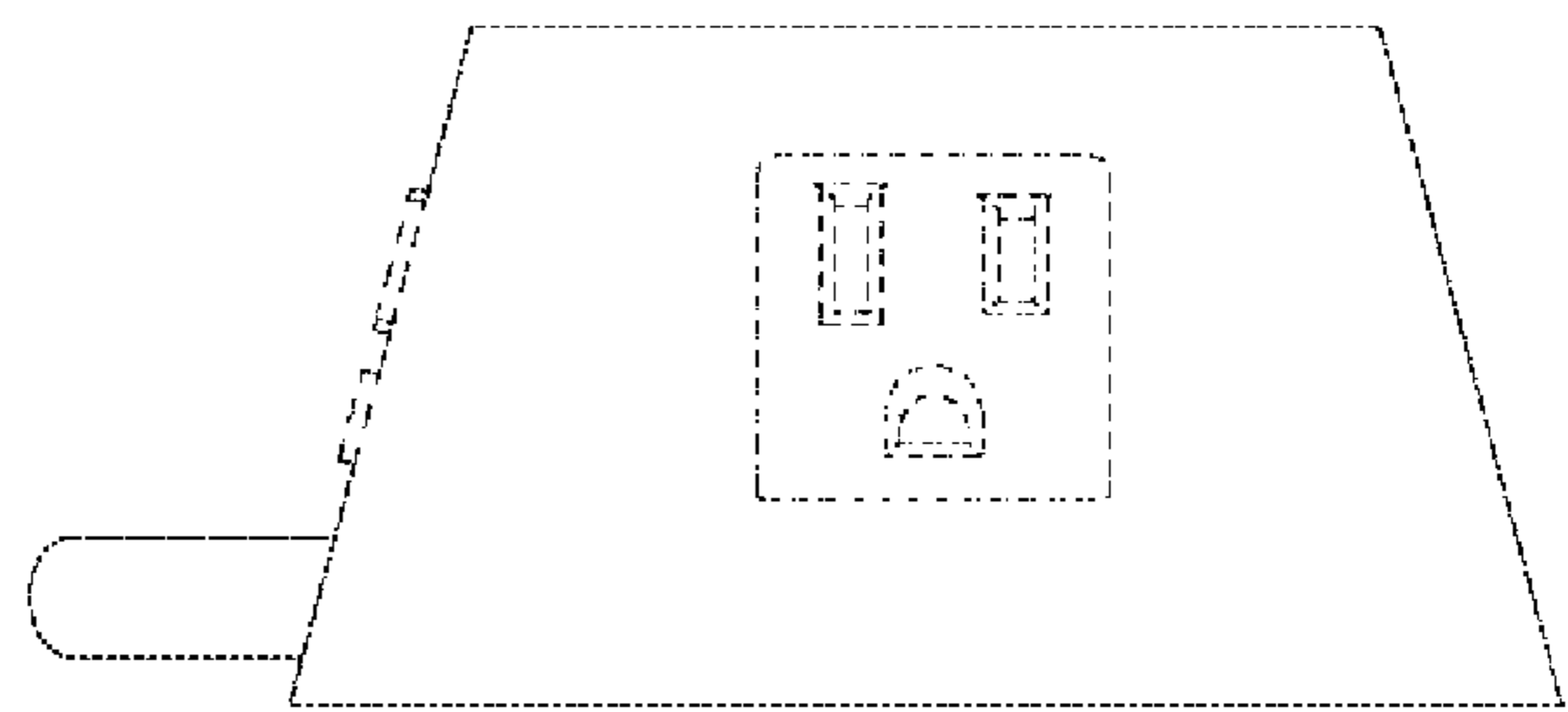


Fig. 6

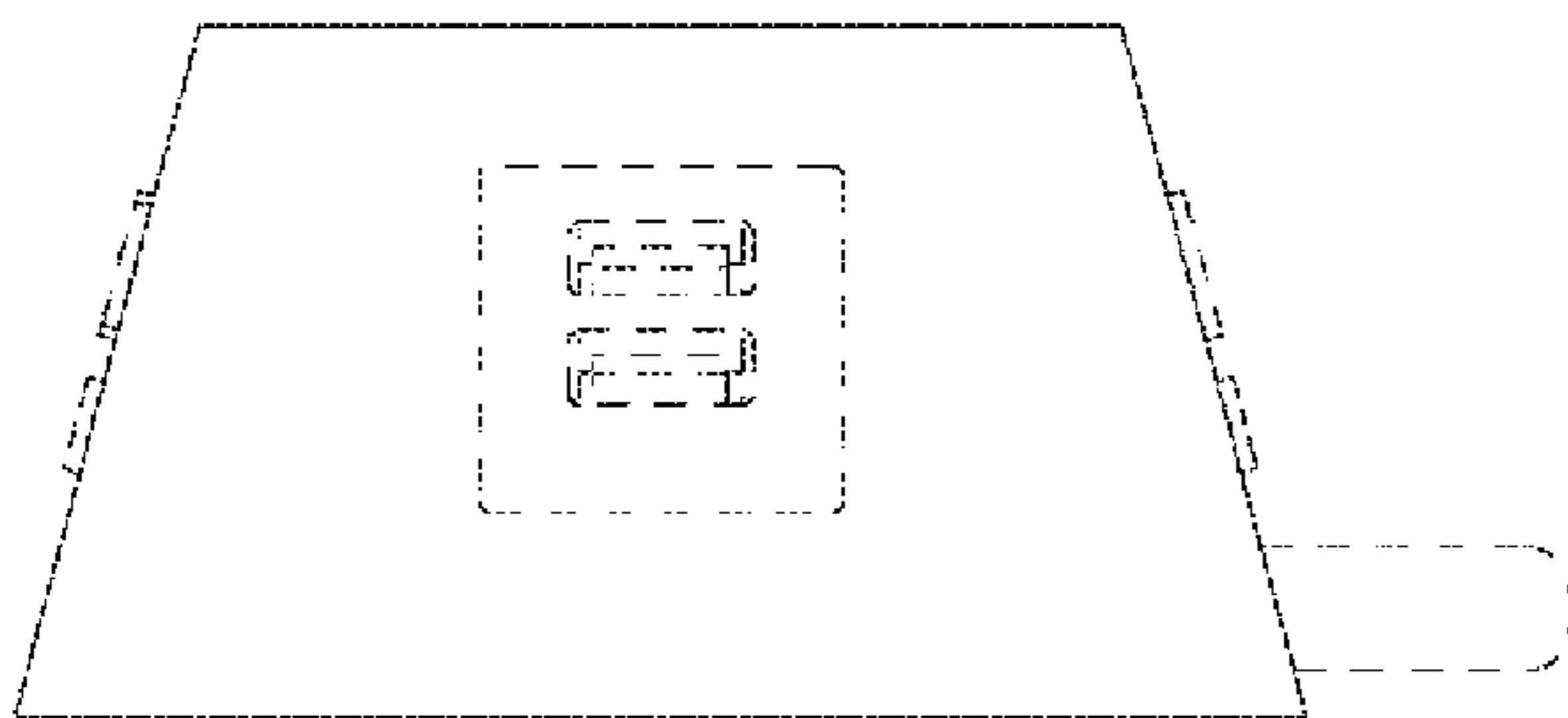


Fig. 7

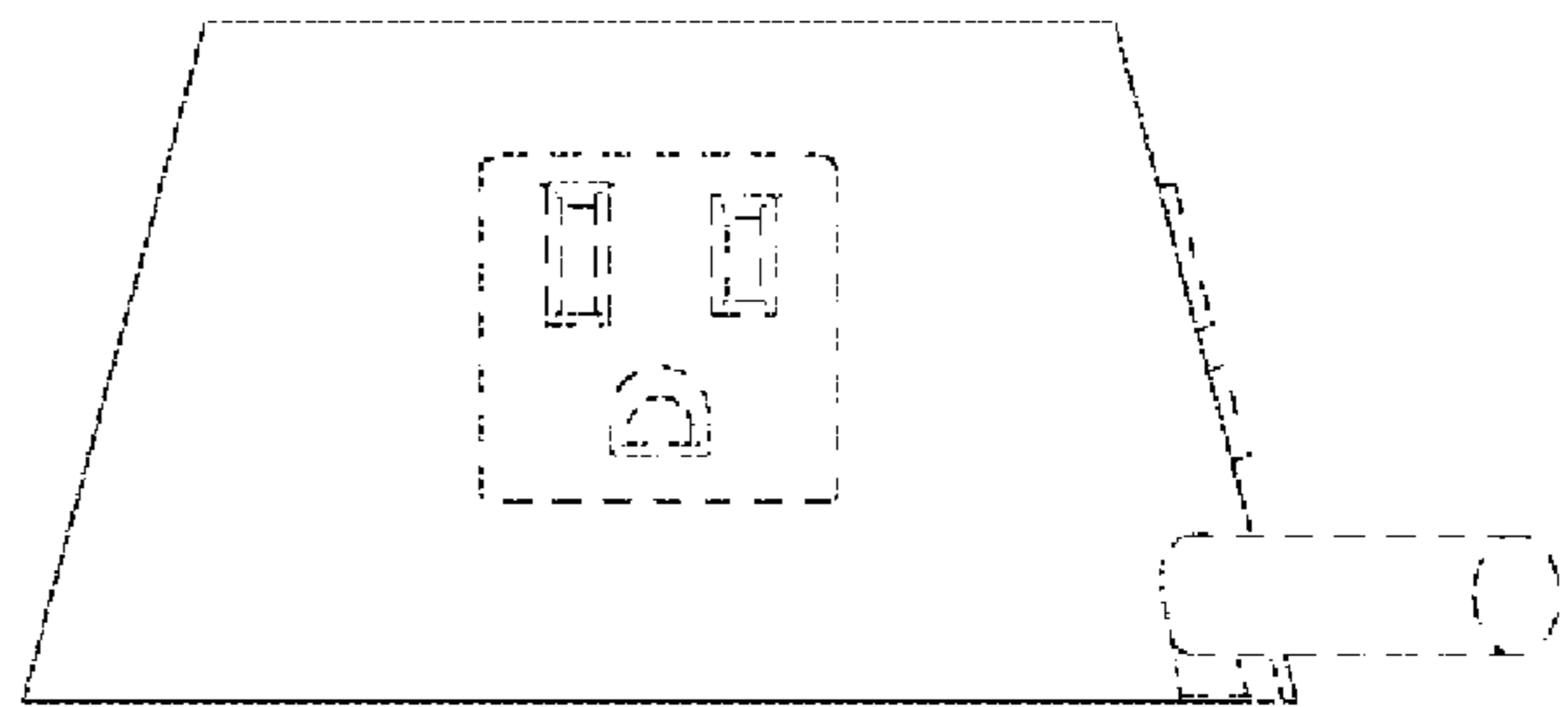


Fig. 8