



US00D736708S

(12) **United States Design Patent**  
**Huang et al.**

(10) **Patent No.:** **US D736,708 S**

(45) **Date of Patent:** **\*\* Aug. 18, 2015**

(54) **ELECTRICAL CONNECTOR**

(71) Applicant: **TARNG YU ENTERPRISE CO., LTD.**, New Taipei (TW)

(72) Inventors: **Mu-Jung Huang**, New Taipei (TW);  
**Tsung-Chi Chen**, New Taipei (TW)

(73) Assignee: **TARNG YU ENTERPRISE CO., LTD.**, New Taipei (TW)

(\*\*) Term: **14 Years**

(21) Appl. No.: **29/466,283**

(22) Filed: **Sep. 6, 2013**

(51) **LOC (10) Cl.** ..... **13-03**

(52) **U.S. Cl.**  
USPC ..... **D13/133**

(58) **Field of Classification Search**  
USPC ..... D13/133, 146, 147, 154, 156, 184;  
439/180, 252, 278, 280, 290–293, 328,  
439/374, 375, 378, 483, 489, 491, 500, 525,  
439/529, 533, 592, 593, 680, 892, 894  
See application file for complete search history.

(56) **References Cited**

**U.S. PATENT DOCUMENTS**

D519,924 S	*	5/2006	Baker et al.	.....	D13/133
D650,745 S	*	12/2011	Smith et al.	.....	D13/133
D650,746 S	*	12/2011	Smith et al.	.....	D13/133
D650,747 S	*	12/2011	Smith et al.	.....	D13/133
D650,748 S	*	12/2011	Smith et al.	.....	D13/133
D650,749 S	*	12/2011	Smith et al.	.....	D13/133

D652,796 S	*	1/2012	Smith et al.	.....	D13/133
D652,797 S	*	1/2012	Smith et al.	.....	D13/133
D665,748 S	*	8/2012	Baker et al.	.....	D13/133
D671,891 S	*	12/2012	Jibiki	.....	D13/133

\* cited by examiner

*Primary Examiner* — Ian Simmons

*Assistant Examiner* — Khawaja Anwar

(74) *Attorney, Agent, or Firm* — Jackson IPG PLLC;  
Demian K. Jackson

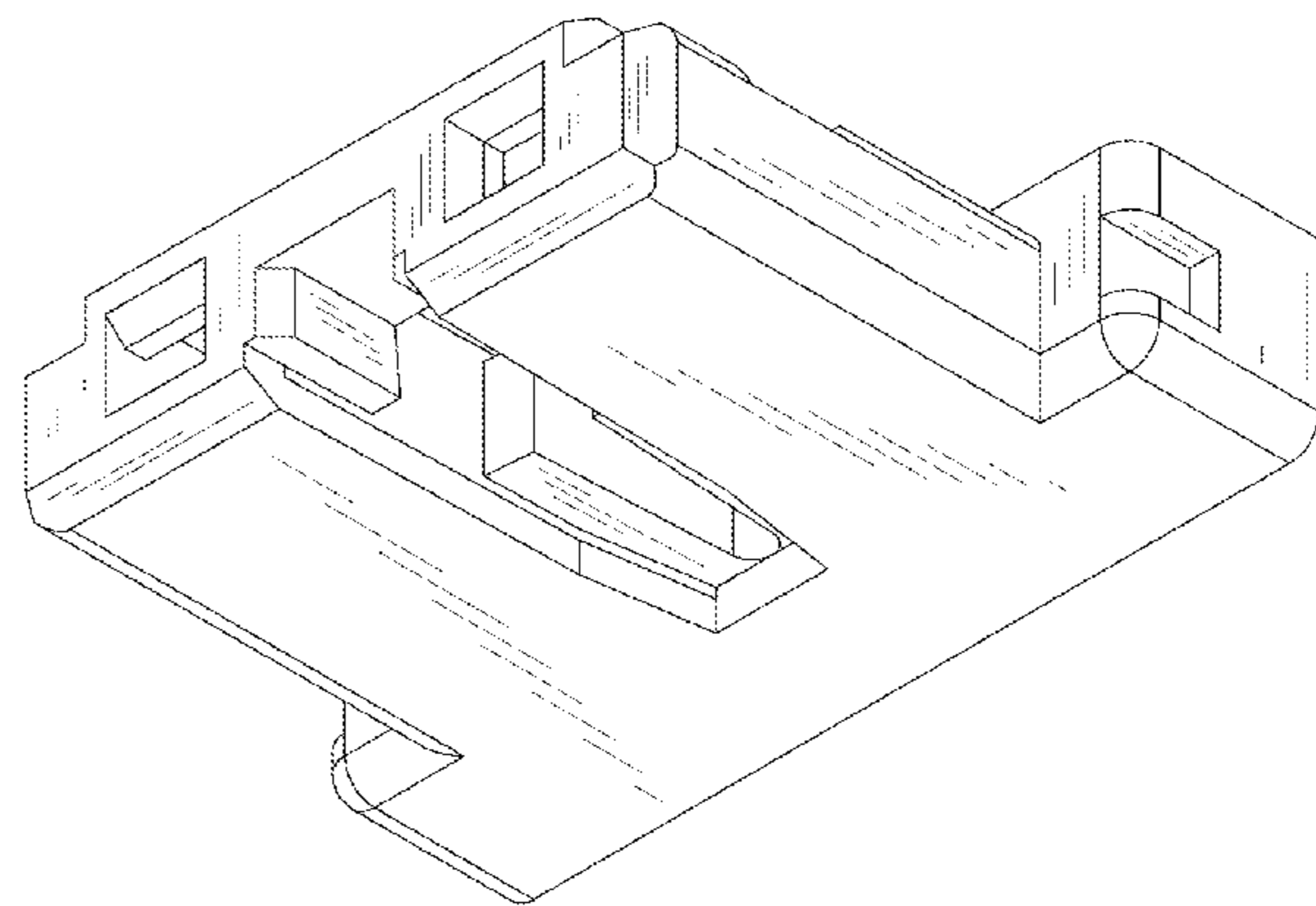
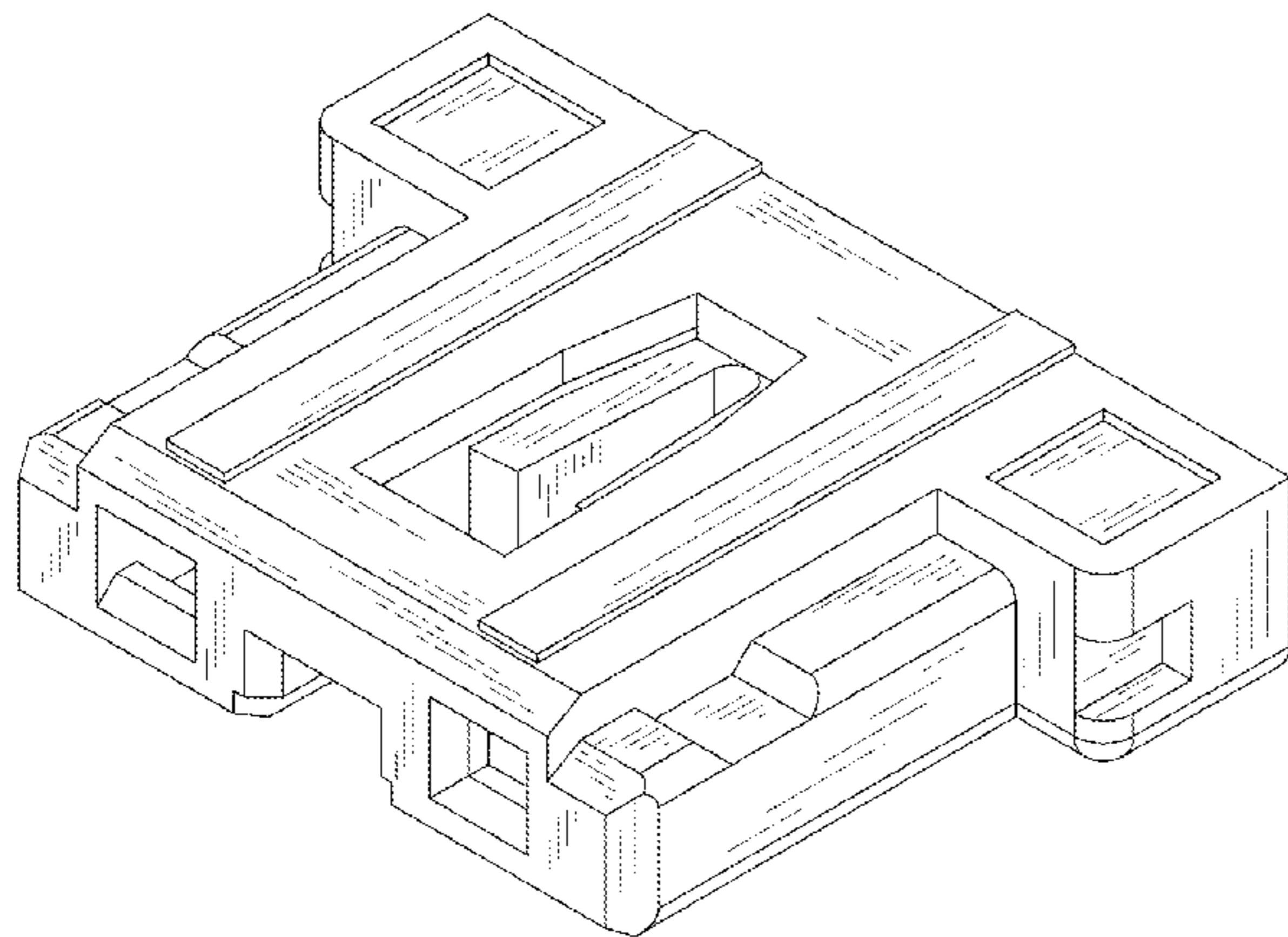
(57) **CLAIM**

The ornamental design for an electrical connector, as shown and described.

**DESCRIPTION**

FIG. 1 is a top front perspective view of an electrical connector showing my new design;  
FIG. 2 is a bottom front perspective view thereof;  
FIG. 3 is a top rear perspective view thereof;  
FIG. 4 is a front elevational view thereof;  
FIG. 5 is a rear elevational view thereof;  
FIG. 6 is a left elevational view thereof;  
FIG. 7 is a right elevational view thereof;  
FIG. 8 is a top plan view thereof;  
FIG. 9 is a bottom plan view thereof;  
FIG. 10 is a perspective view illustrating how the electrical connector is connected with a terminal connector; and,  
FIG. 11 is another perspective view illustrating how the electrical connector is connected with a terminal connector.  
The portions of the illustrated design indicated by broken lines form no part of the claimed design.

**1 Claim, 11 Drawing Sheets**



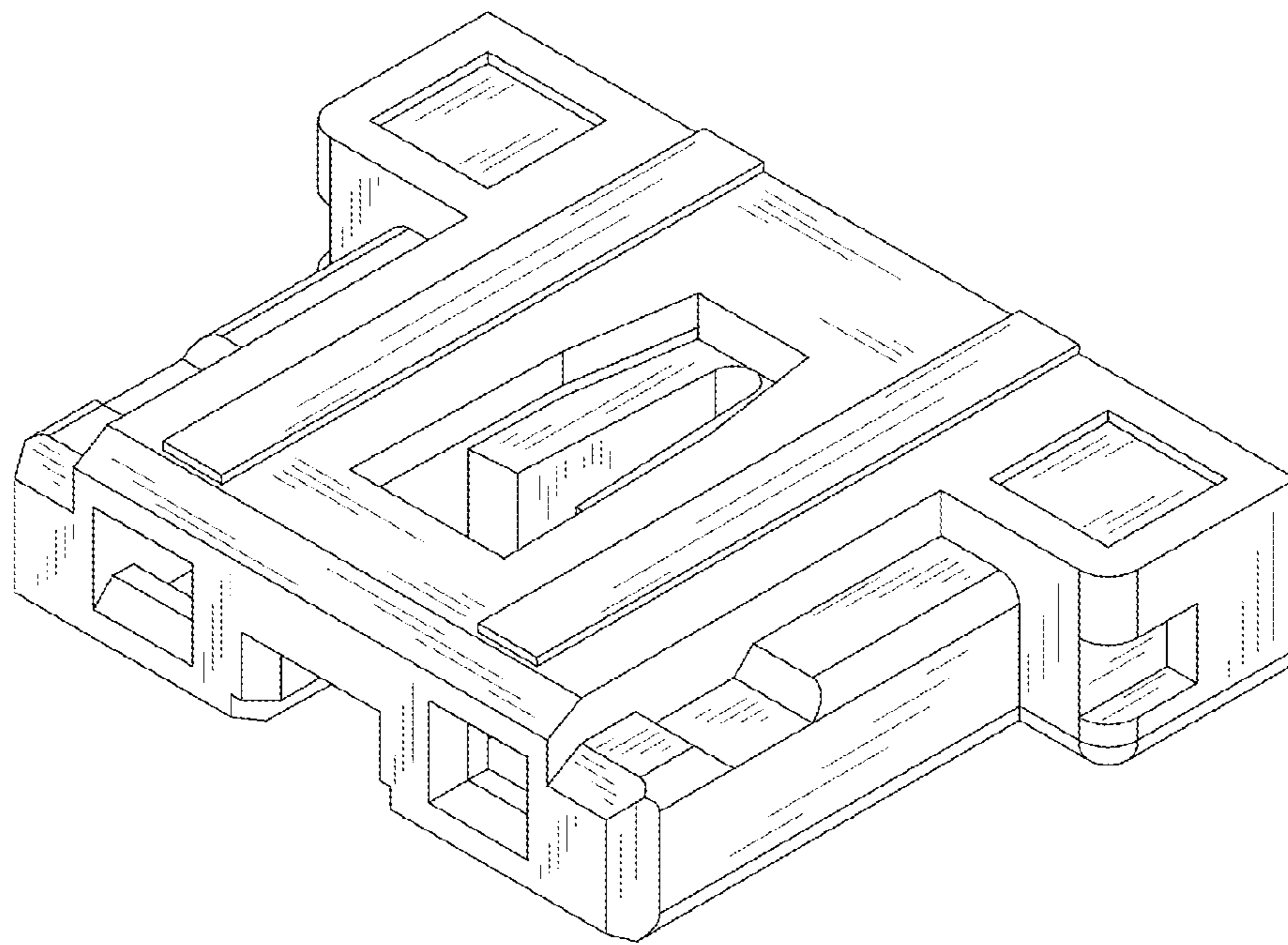


FIG.1

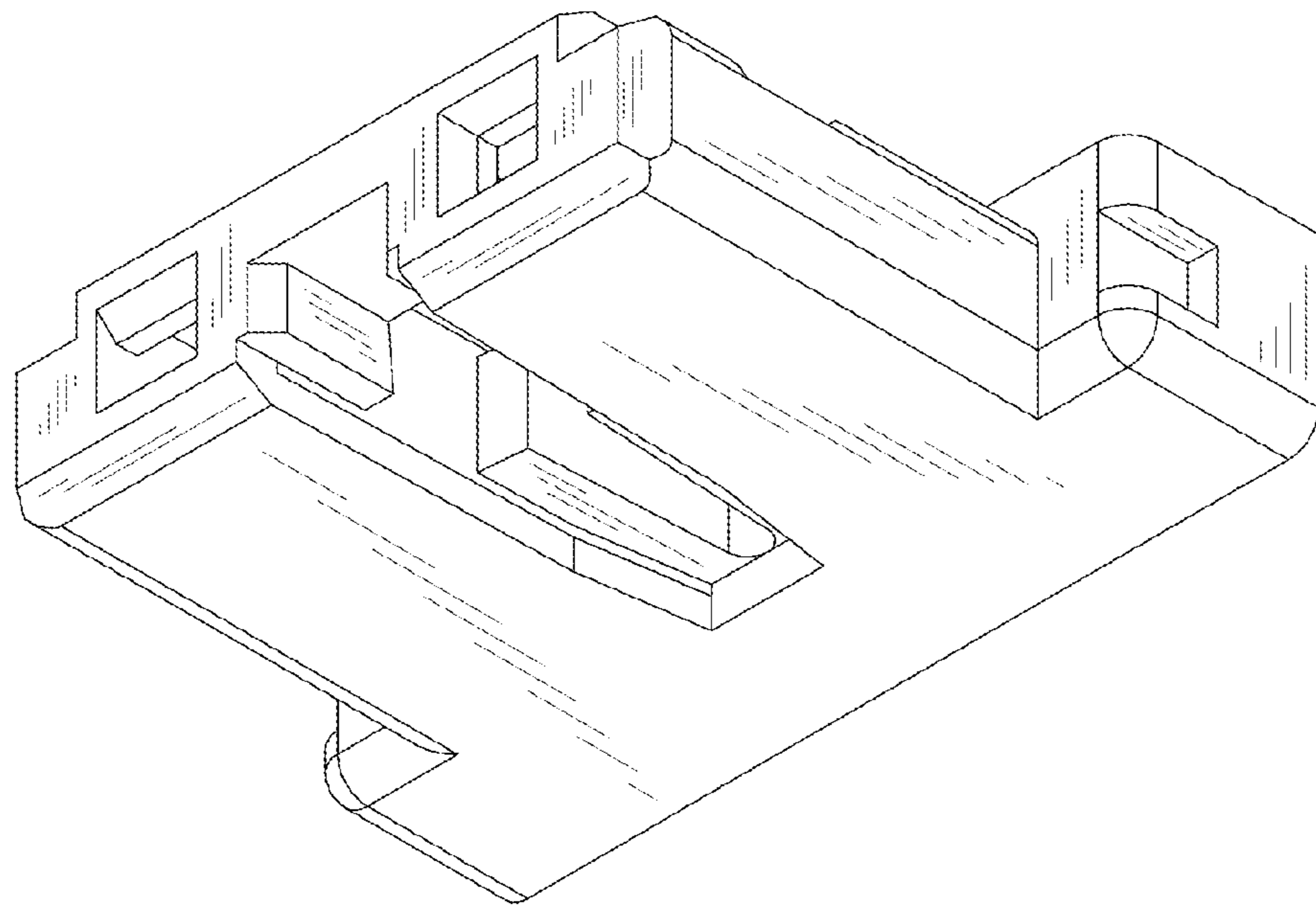


FIG.2

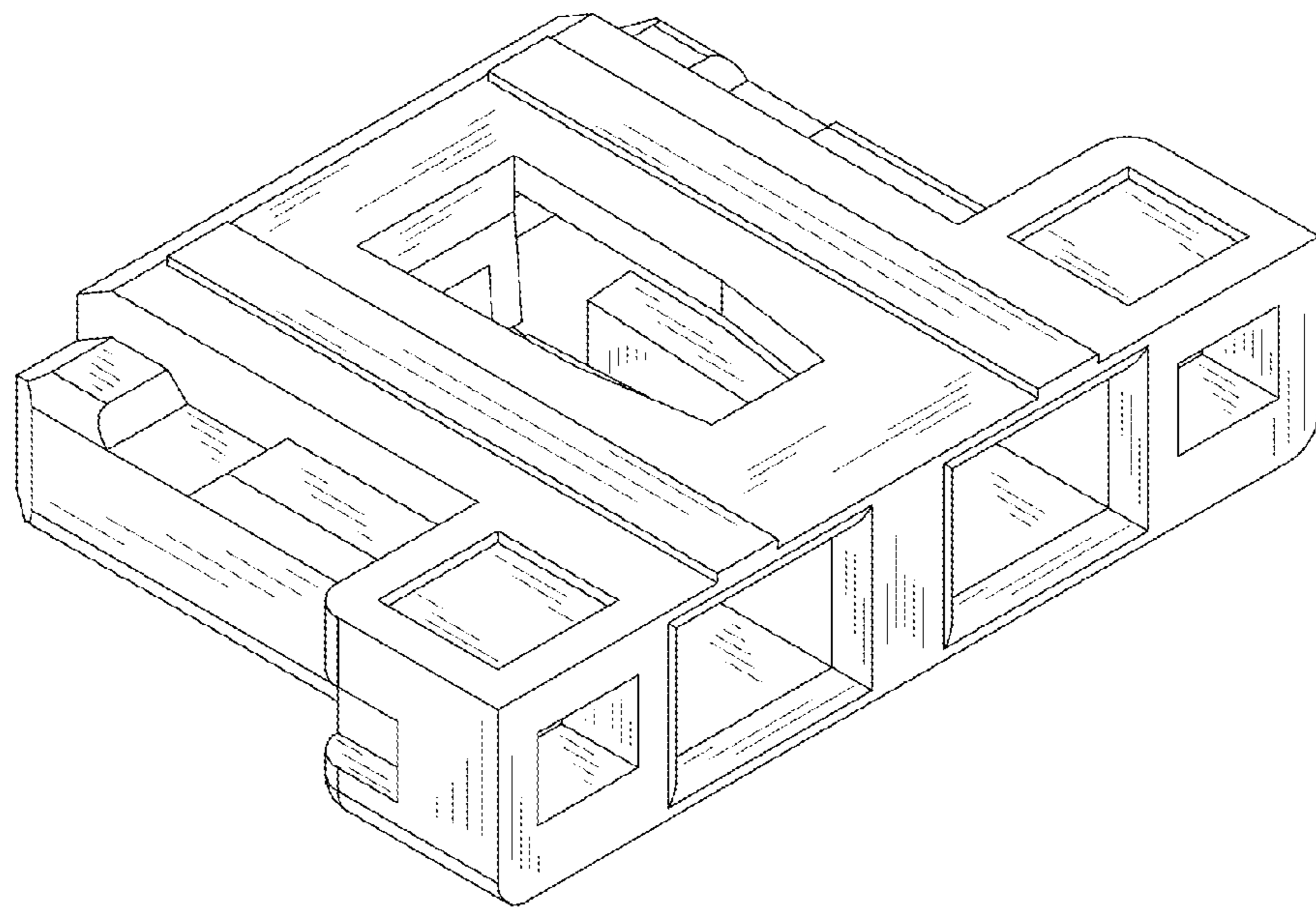


FIG.3

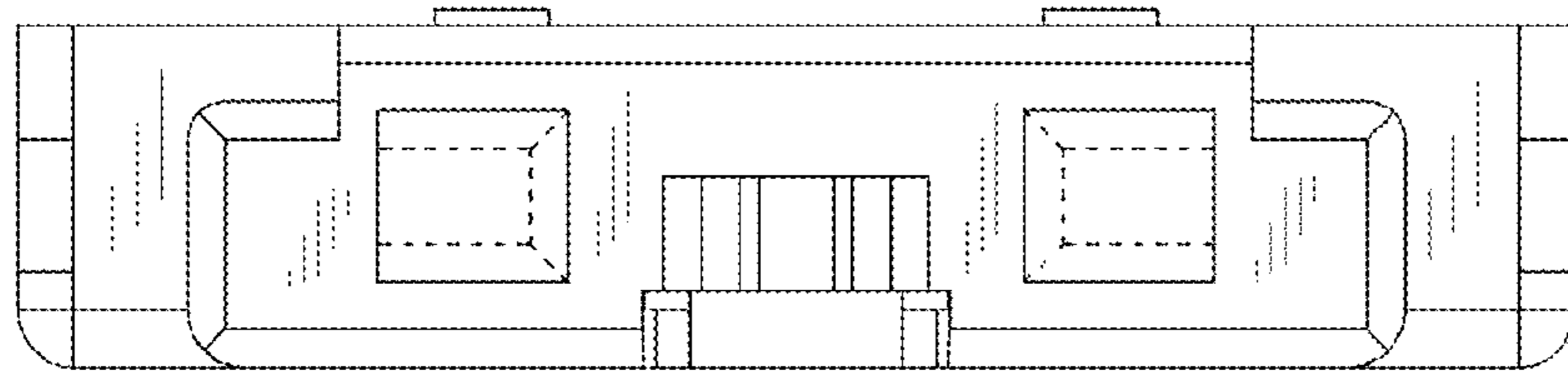


FIG.4

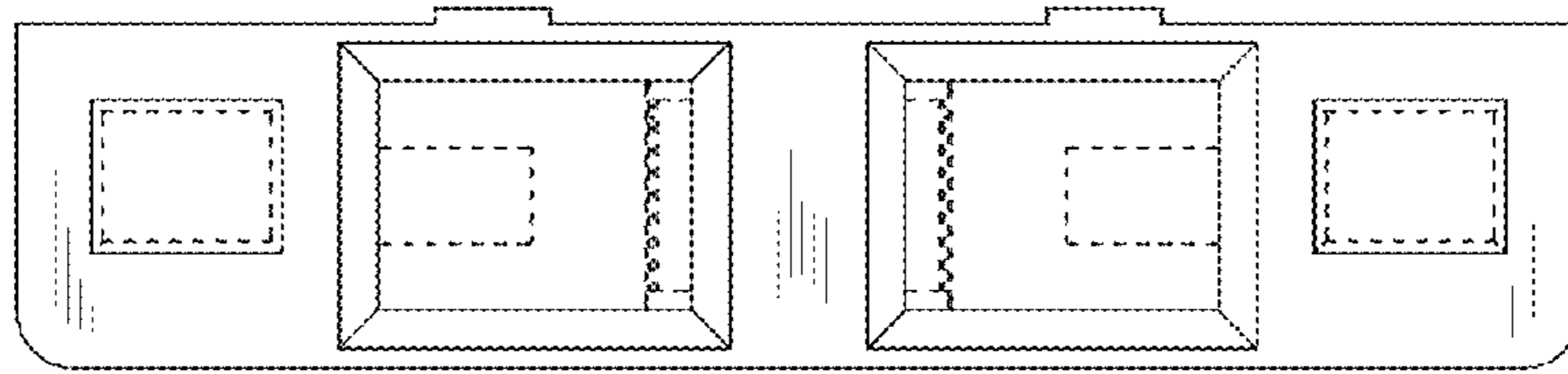


FIG.5

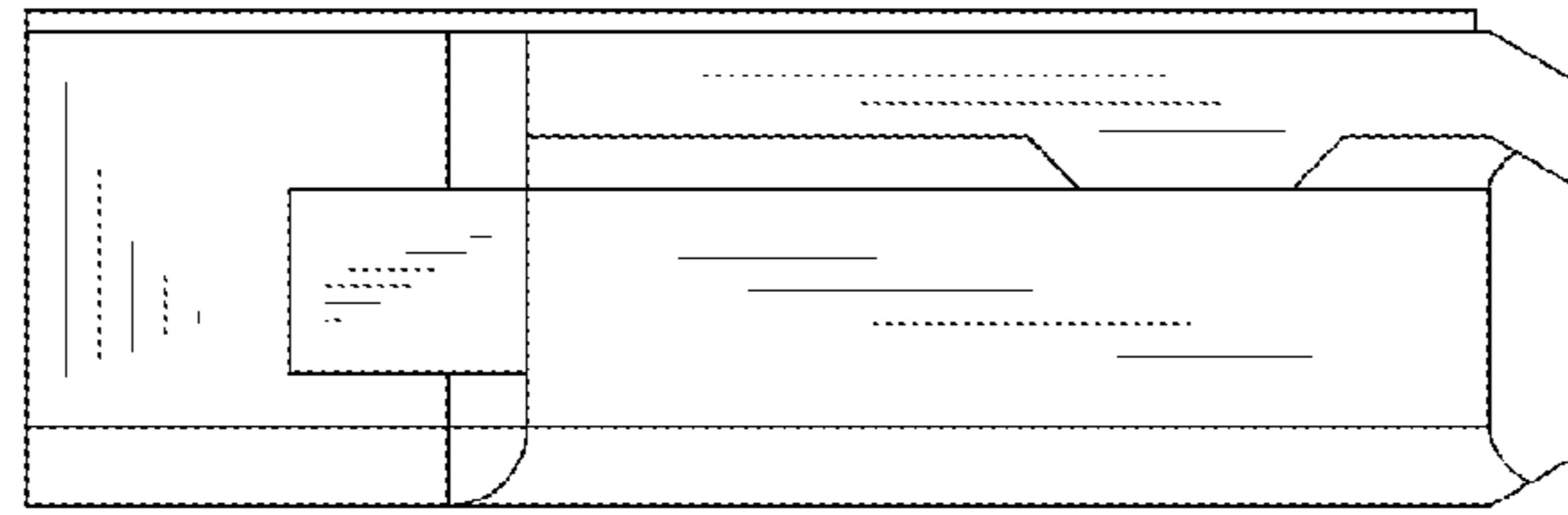


FIG.6

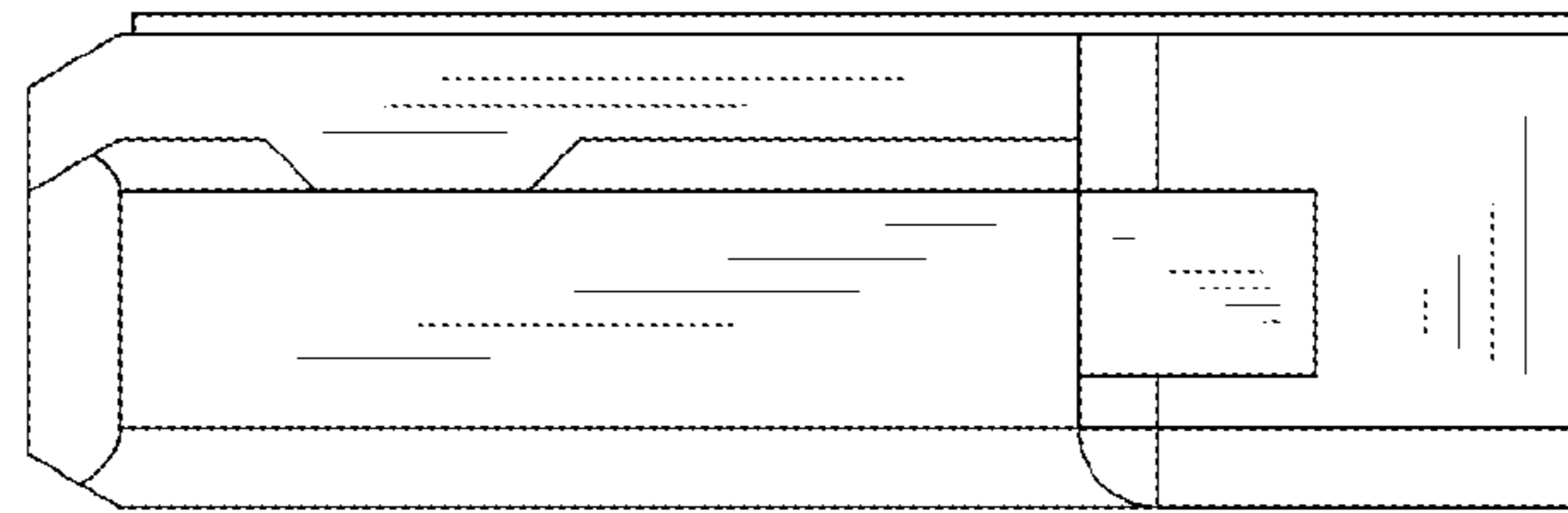


FIG.7



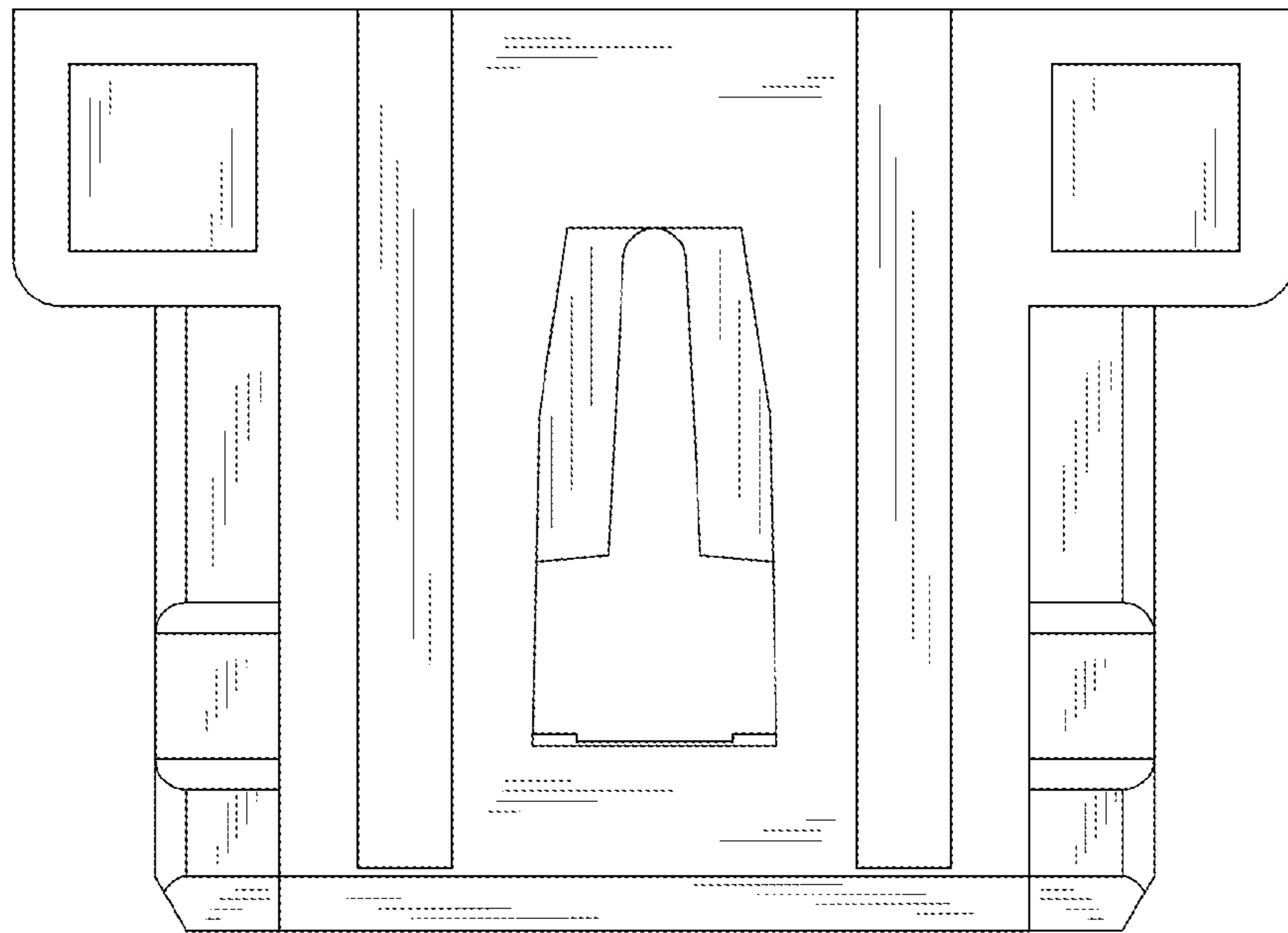


FIG.8

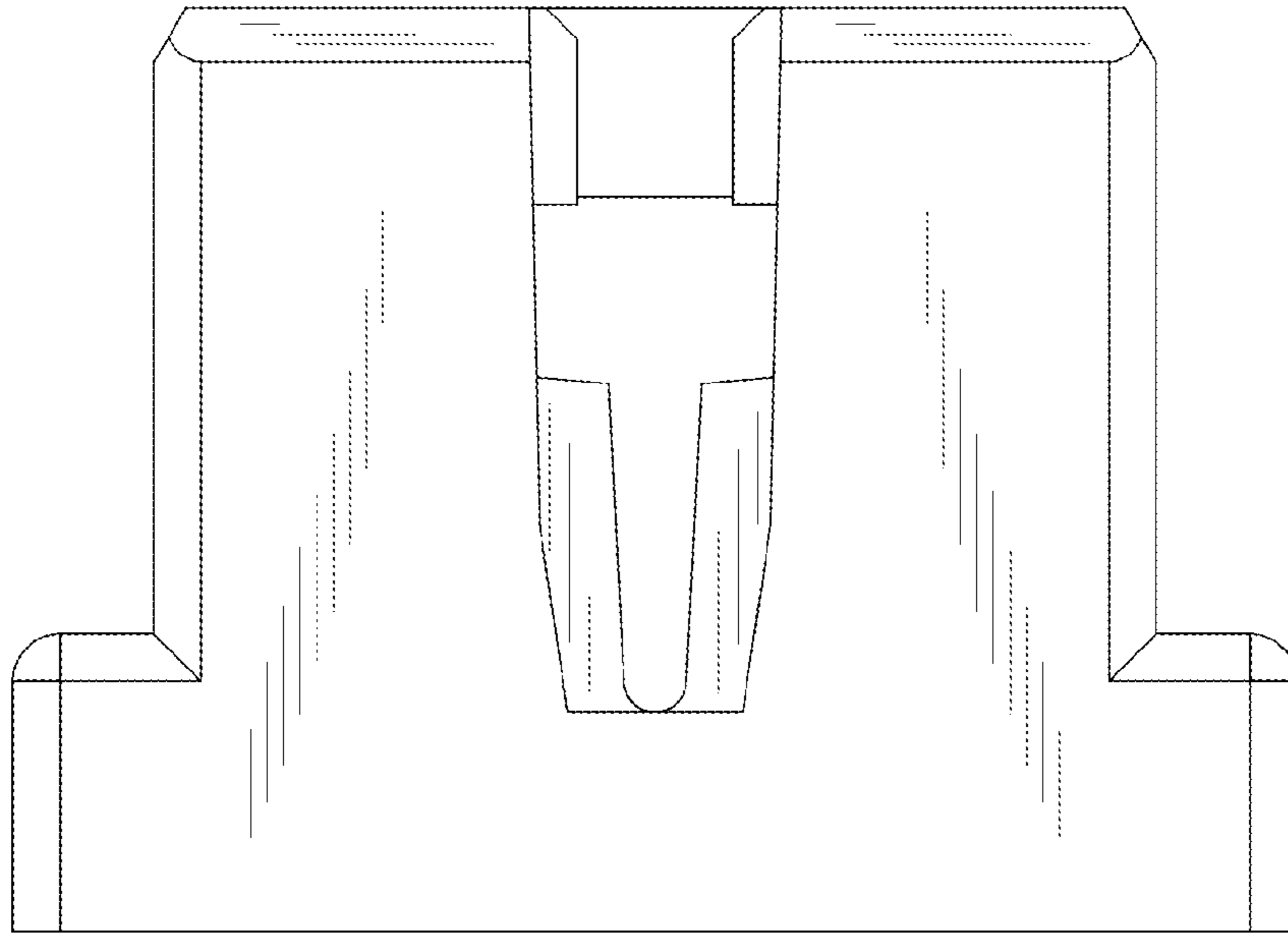


FIG.9

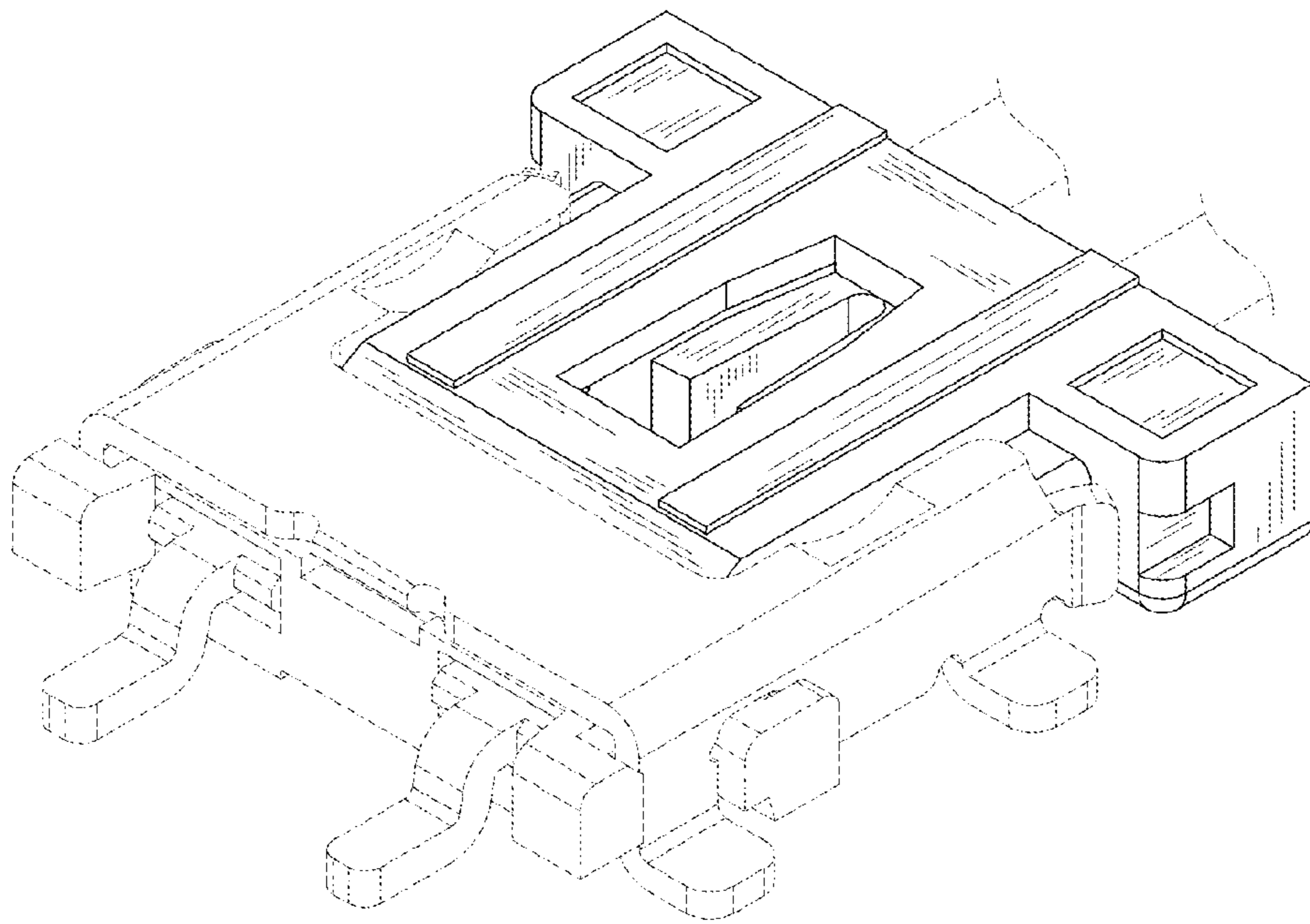


FIG. 10

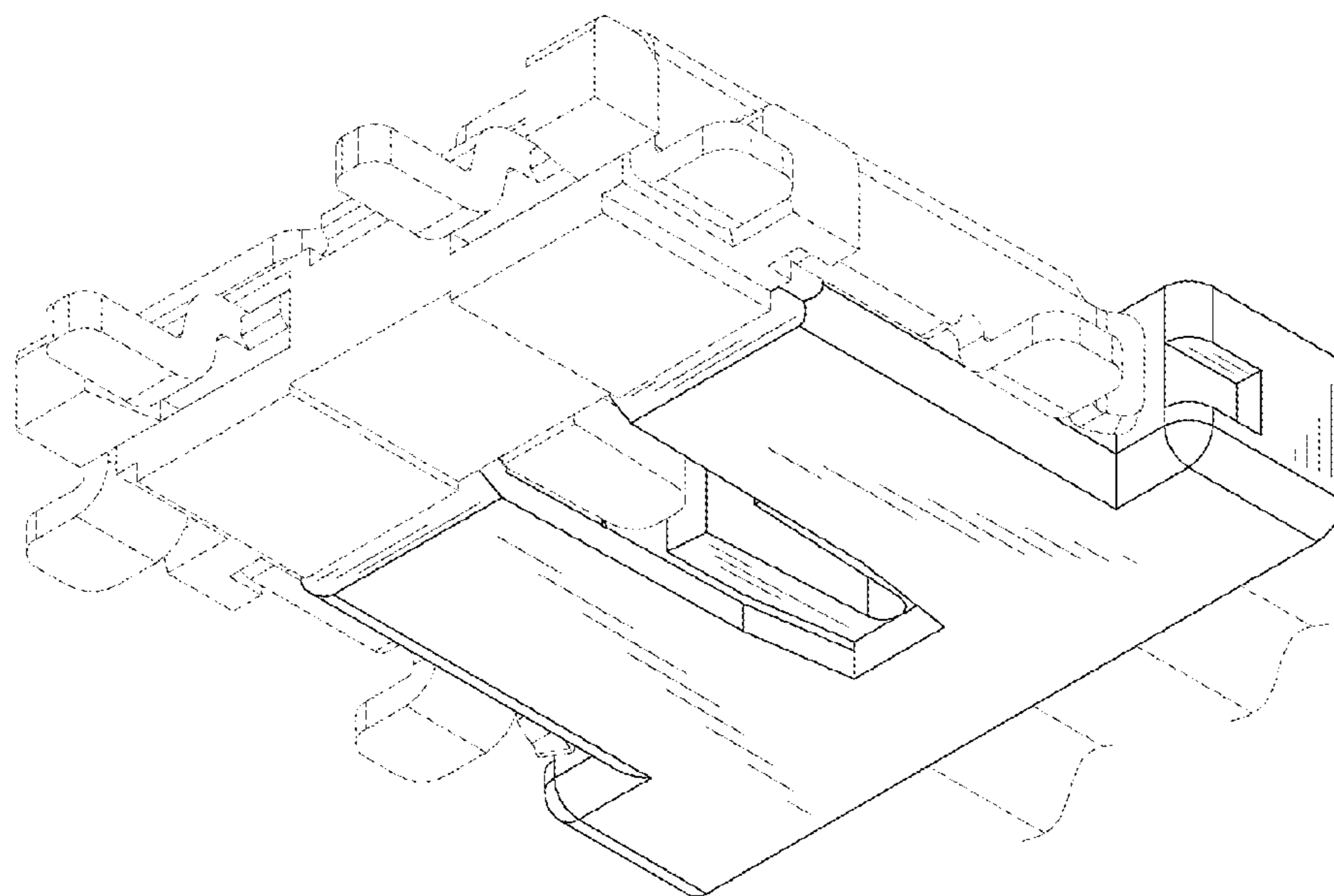


FIG.11