



US00D736707S

(12) **United States Design Patent**  
**Kaminsky et al.**

(10) **Patent No.:** **US D736,707 S**

(45) **Date of Patent:** **\*\* Aug. 18, 2015**

(54) **CHARGER INTERFACE**

(71) Applicant: **SYMBOL TECHNOLOGIES, INC.**,  
Schaumburg, IL (US)

(72) Inventors: **Michael A. Kaminsky**, Hicksville, NY  
(US); **Fei-Kai Liao**, Taipei (TW)

(73) Assignee: **Symbol Technologies, LLC**, Holtsville,  
NY (US)

(\*\*) Term: **14 Years**

(21) Appl. No.: **29/485,716**

(22) Filed: **Mar. 21, 2014**

(51) **LOC (10) Cl.** ..... **13-02**

(52) **U.S. Cl.**  
USPC ..... **D13/118; D13/107**

(58) **Field of Classification Search**  
USPC ..... D13/107, 108, 110, 118; D14/434, 438,  
D14/253, 142; D8/354; 379/433.08;  
320/106, 110, 113, 114, 97, 100, 159,  
320/163, 176, 177, 186  
CPC ..... H02J 7/00  
See application file for complete search history.

(56) **References Cited**

**U.S. PATENT DOCUMENTS**

3,579,075	A *	5/1971	Floyd	320/110
4,403,182	A *	9/1983	Yeh	320/110
4,488,009	A *	12/1984	Sherman	379/370
D278,228	S *	4/1985	Liautaud et al.	D13/107
D278,703	S *	5/1985	Chiodo et al.	D13/107
D278,704	S *	5/1985	Claxton et al.	D13/107
4,558,270	A *	12/1985	Liautaud et al.	320/110
D284,958	S *	8/1986	Tsuji	D13/108
4,808,904	A *	2/1989	Ricaud et al.	320/101
D301,455	S *	6/1989	Hotsumi et al.	D13/108
4,955,071	A *	9/1990	Wong et al.	455/90.3
4,998,055	A *	3/1991	Nash et al.	320/113
D328,450	S *	8/1992	Watanabe et al.	D13/108

5,142,573	A *	8/1992	Umezawa	379/454
5,189,358	A *	2/1993	Tomura et al.	320/115
D345,728	S *	4/1994	Tyneski et al.	D13/108
D345,977	S *	4/1994	Nagele	D14/149
D353,131	S *	12/1994	Nagele	D13/107
D359,474	S *	6/1995	Palatov	D13/108
5,457,376	A *	10/1995	Chong et al.	320/107
D409,976	S *	5/1999	Buck	D13/107
D417,189	S *	11/1999	Amero et al.	D13/107
6,384,575	B1 *	5/2002	Chen et al.	320/110
D460,412	S *	7/2002	Nawrozki	D13/107
D463,359	S *	9/2002	Nawrozki	D13/107
D576,546	S *	9/2008	Yang	D13/107
8,098,045	B2 *	1/2012	Okano	320/110
D681,550	S *	5/2013	Corbin	D13/103
D686,981	S *	7/2013	Koyabu et al.	D13/103
D704,134	S *	5/2014	Cullen et al.	D13/103
D716,725	S *	11/2014	Kaminsky et al.	D13/103
D718,710	S *	12/2014	Rabalais et al.	D13/107
2001/0000945	A1 *	5/2001	Watson et al.	320/114

\* cited by examiner

*Primary Examiner* — Paula Greene

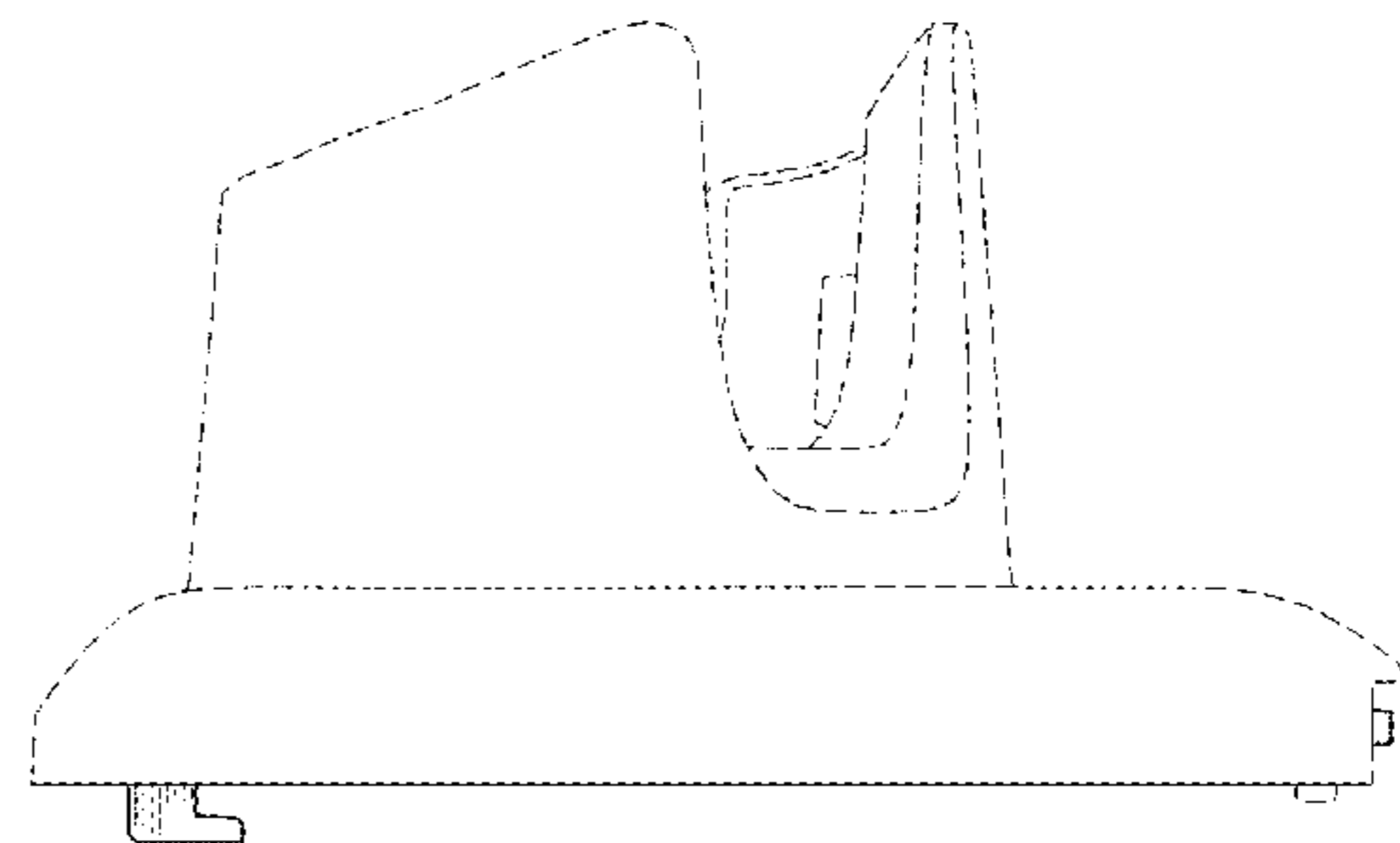
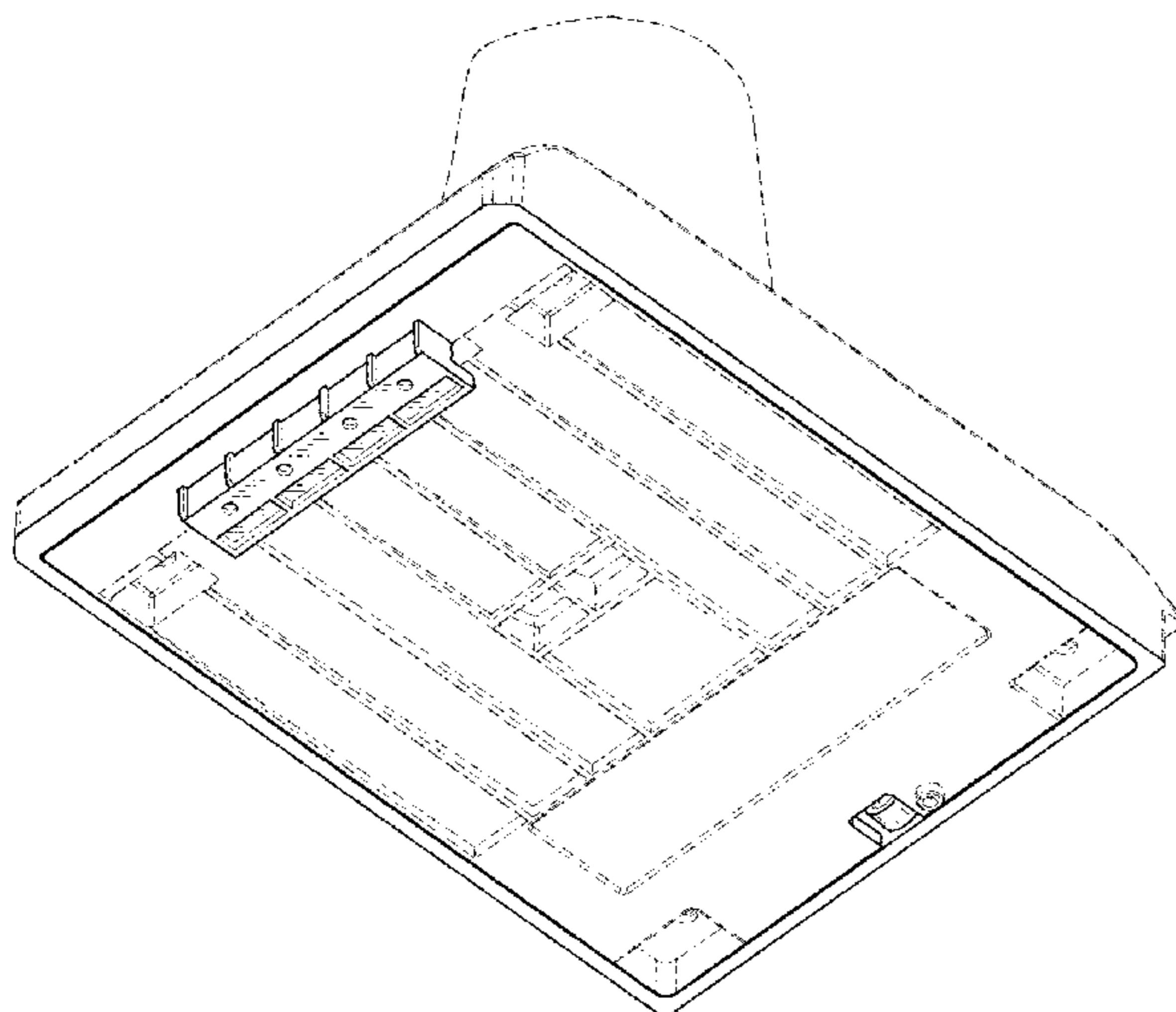
(57) **CLAIM**

The ornamental design for a charger interface, as shown and described.

**DESCRIPTION**

FIG. 1 is a first bottom perspective view of an ornamental design for a charger interface;  
FIG. 2 is a second bottom perspective view thereof;  
FIG. 3 is a top perspective view thereof;  
FIG. 4 is a bottom view thereof;  
FIG. 5 is a front view thereof;  
FIG. 6 is a back view thereof;  
FIG. 7 is a first side view thereof; and,  
FIG. 8 is a second side view thereof.  
The broken lines shown in FIGS. 1-8 are included for the purpose of illustrating environmental elements only and form no part of the claimed design.

**1 Claim, 4 Drawing Sheets**



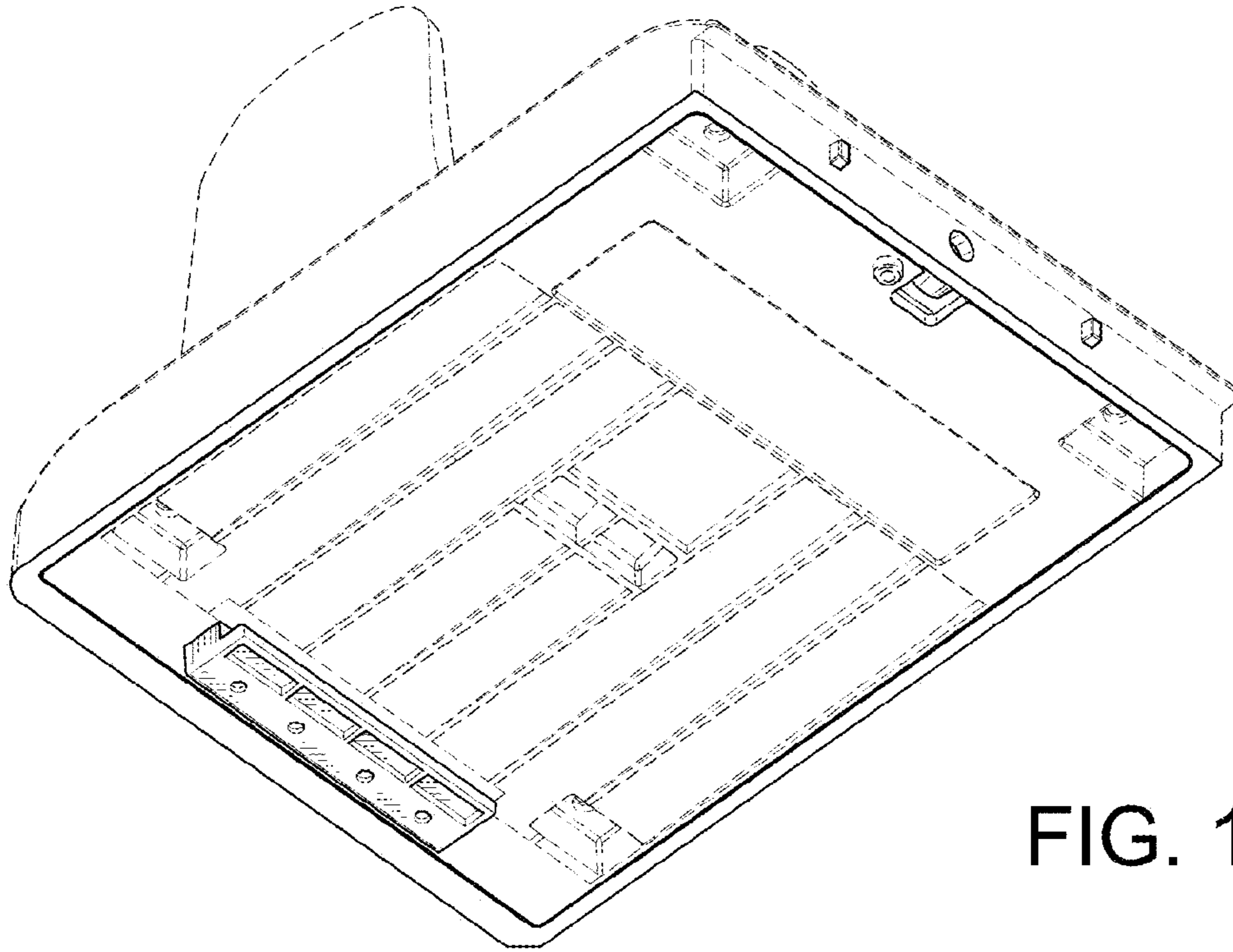


FIG. 1

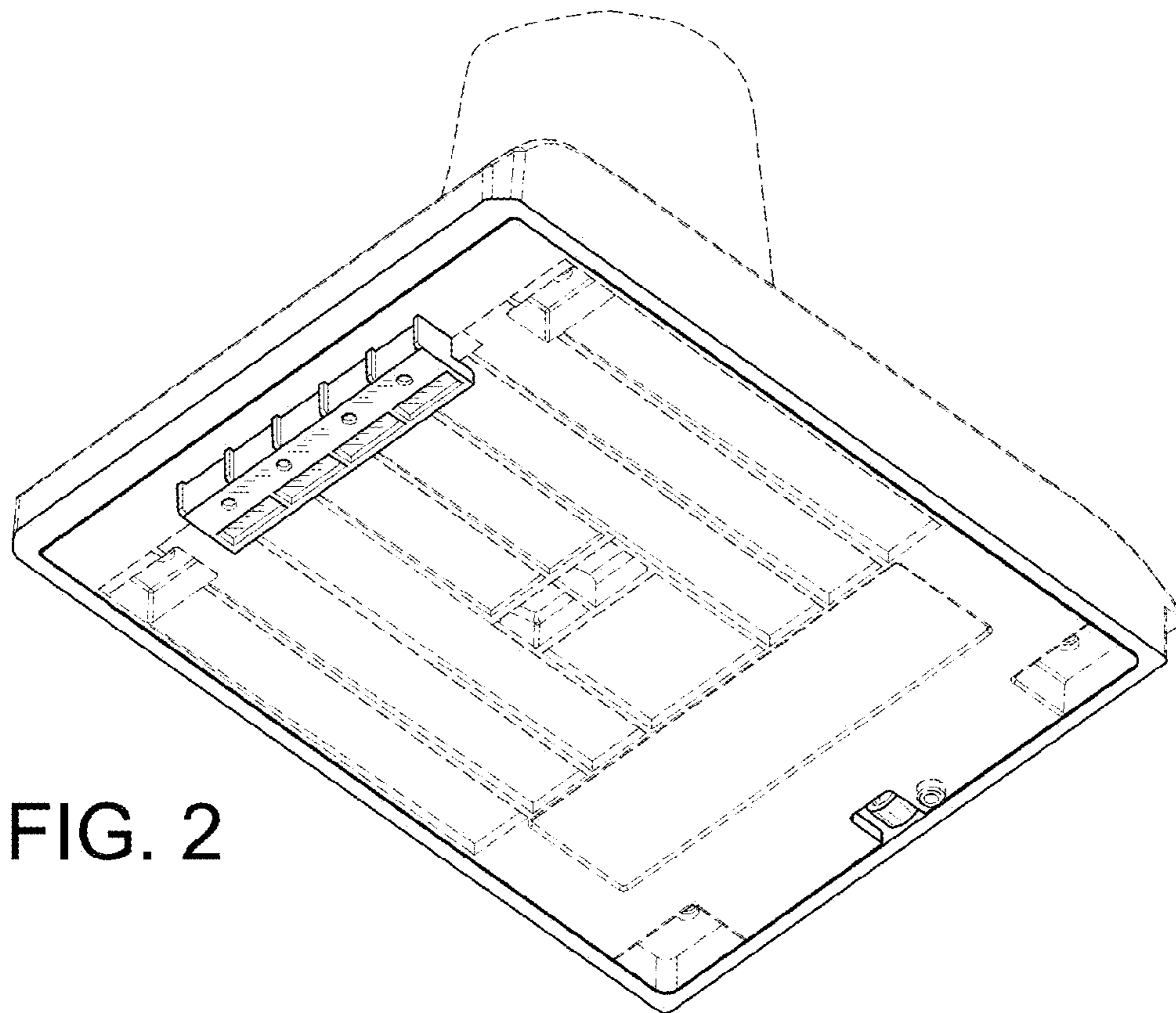


FIG. 2

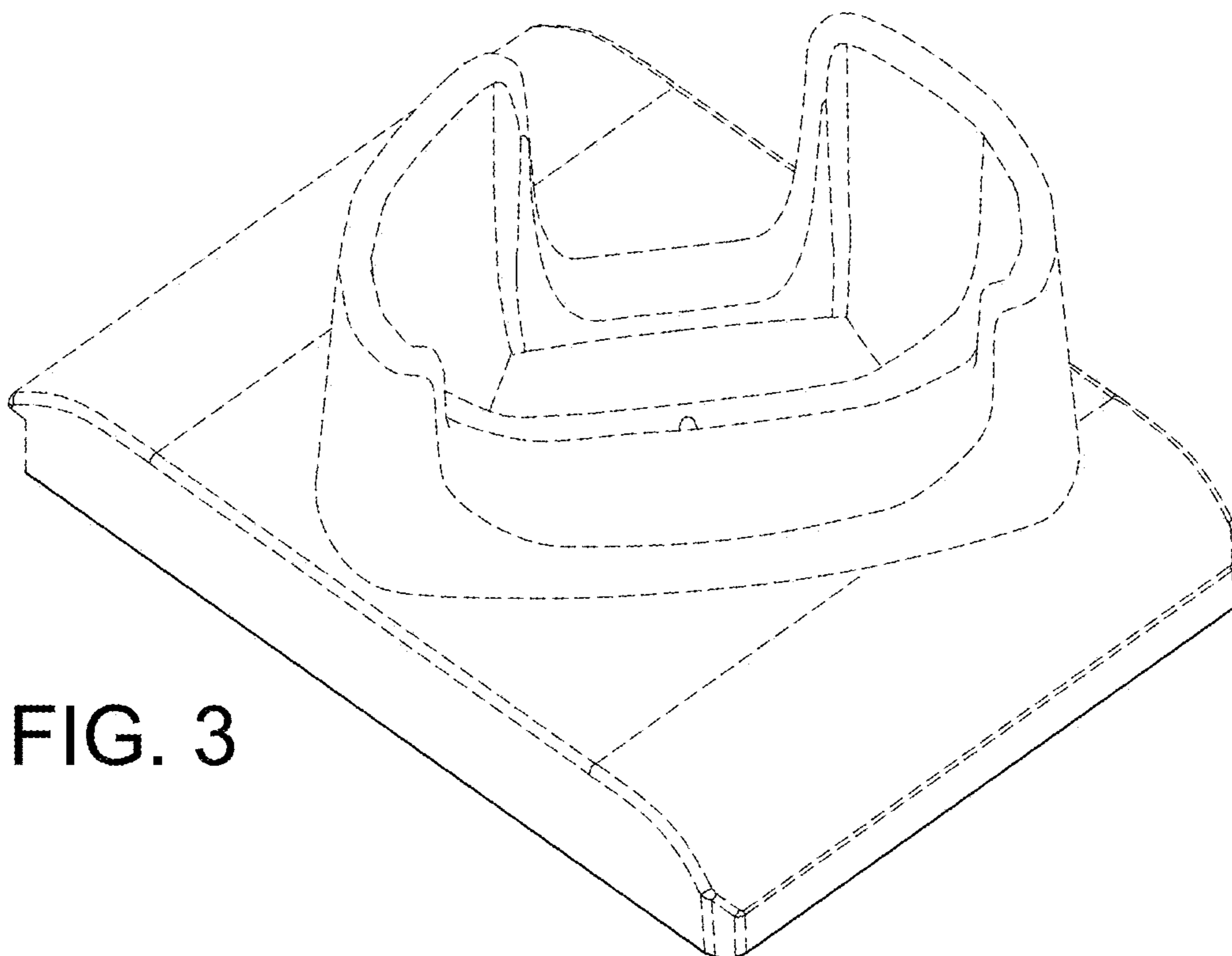


FIG. 3

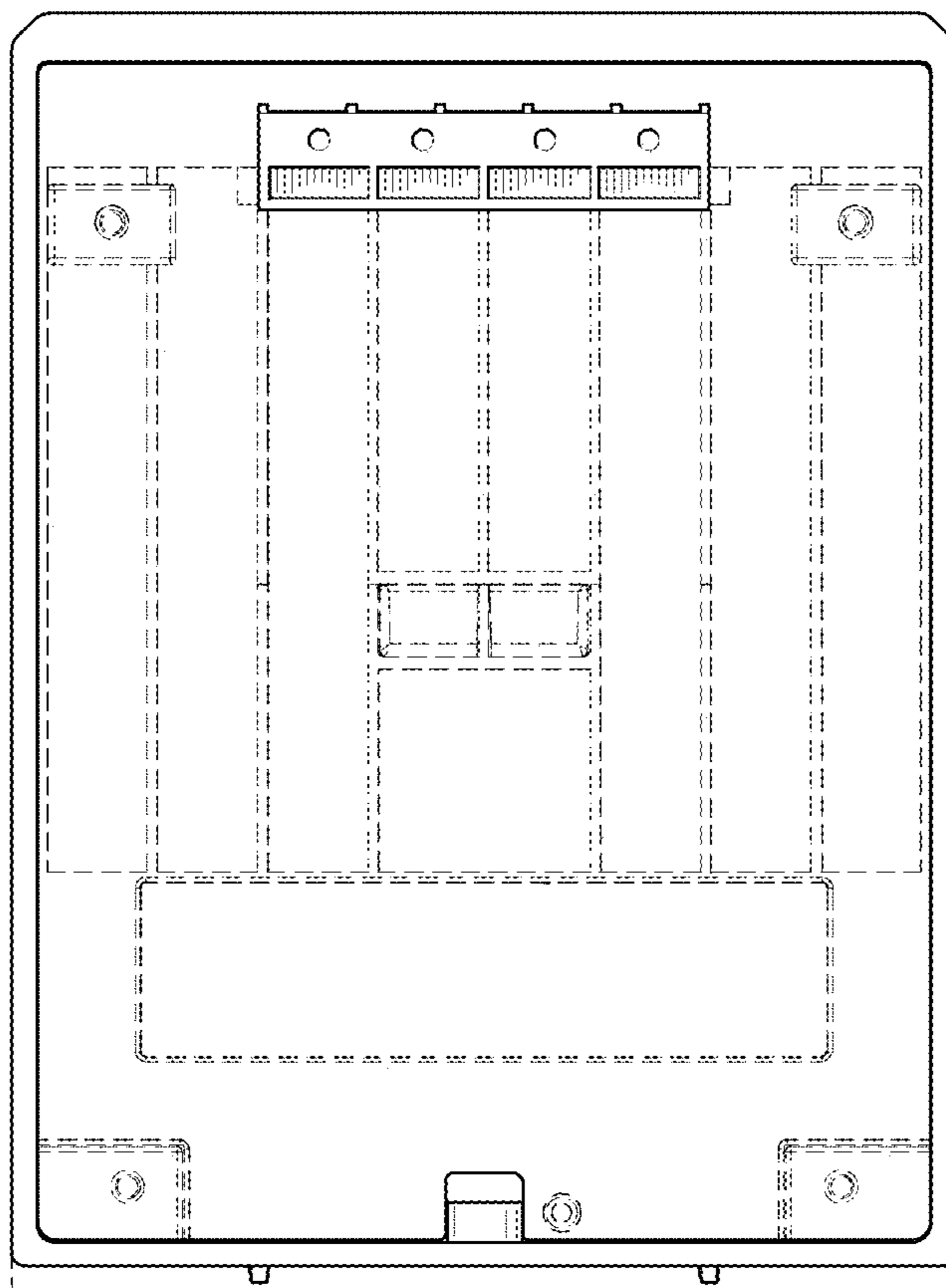


FIG. 4

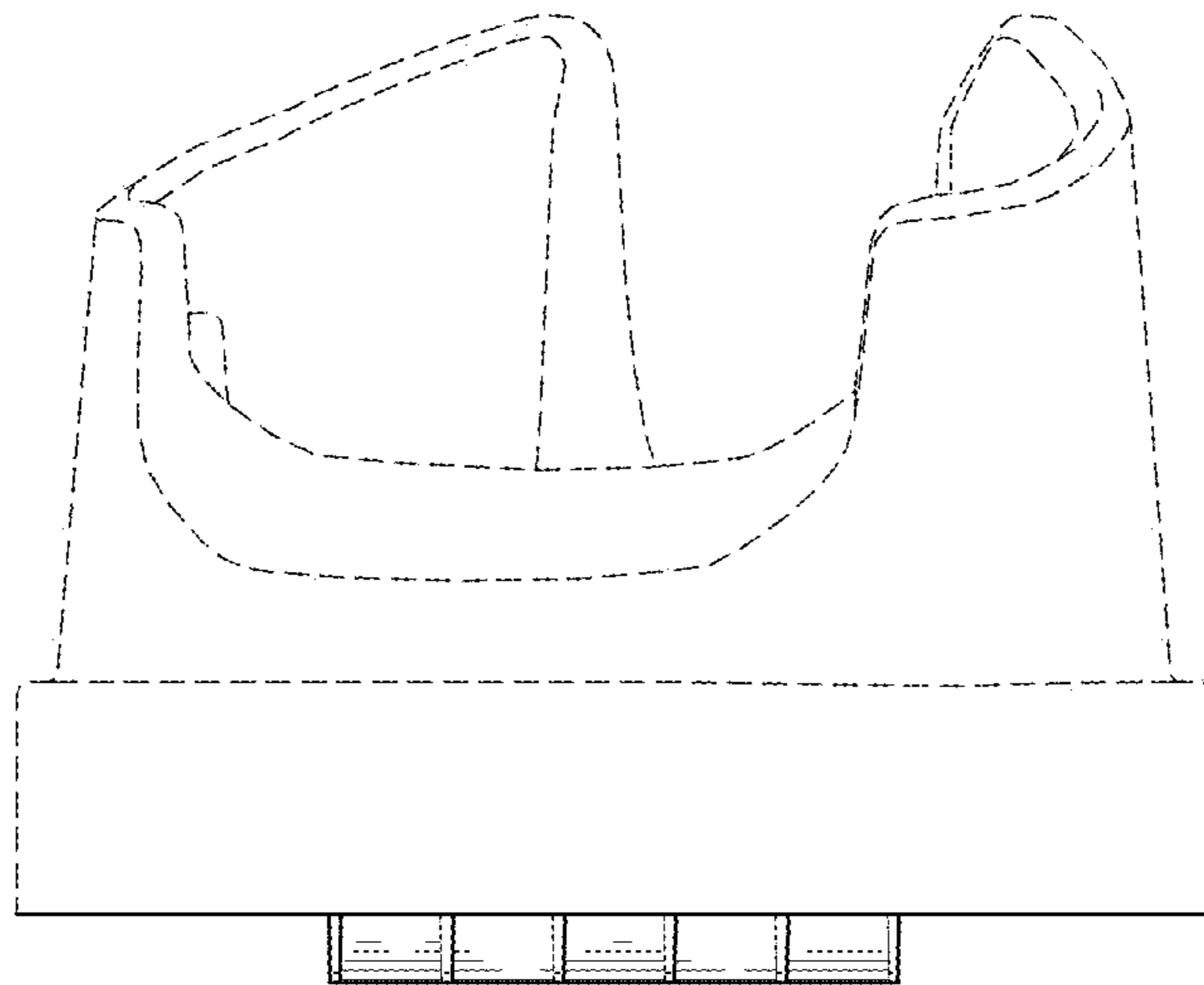


FIG. 5

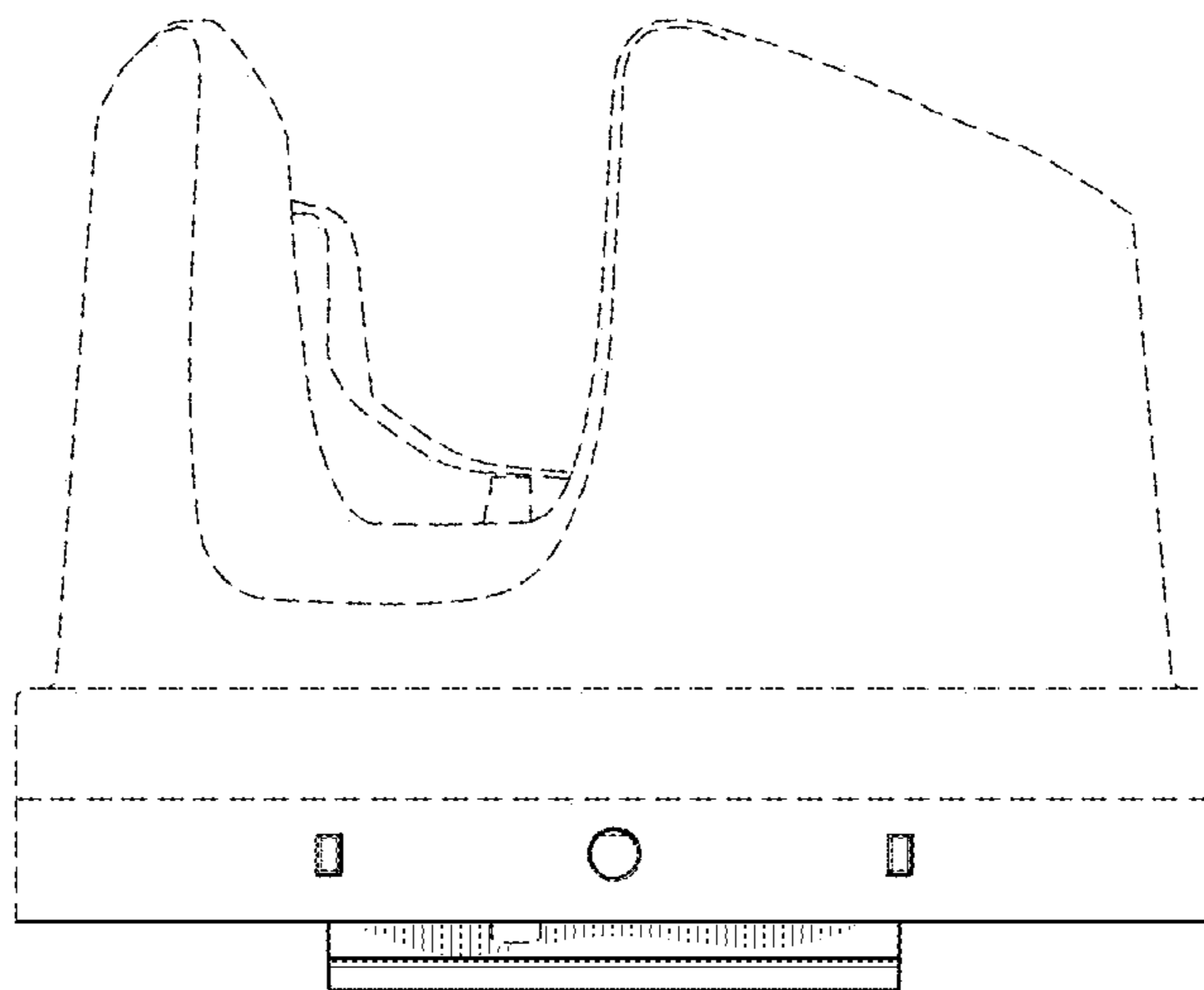


FIG. 6

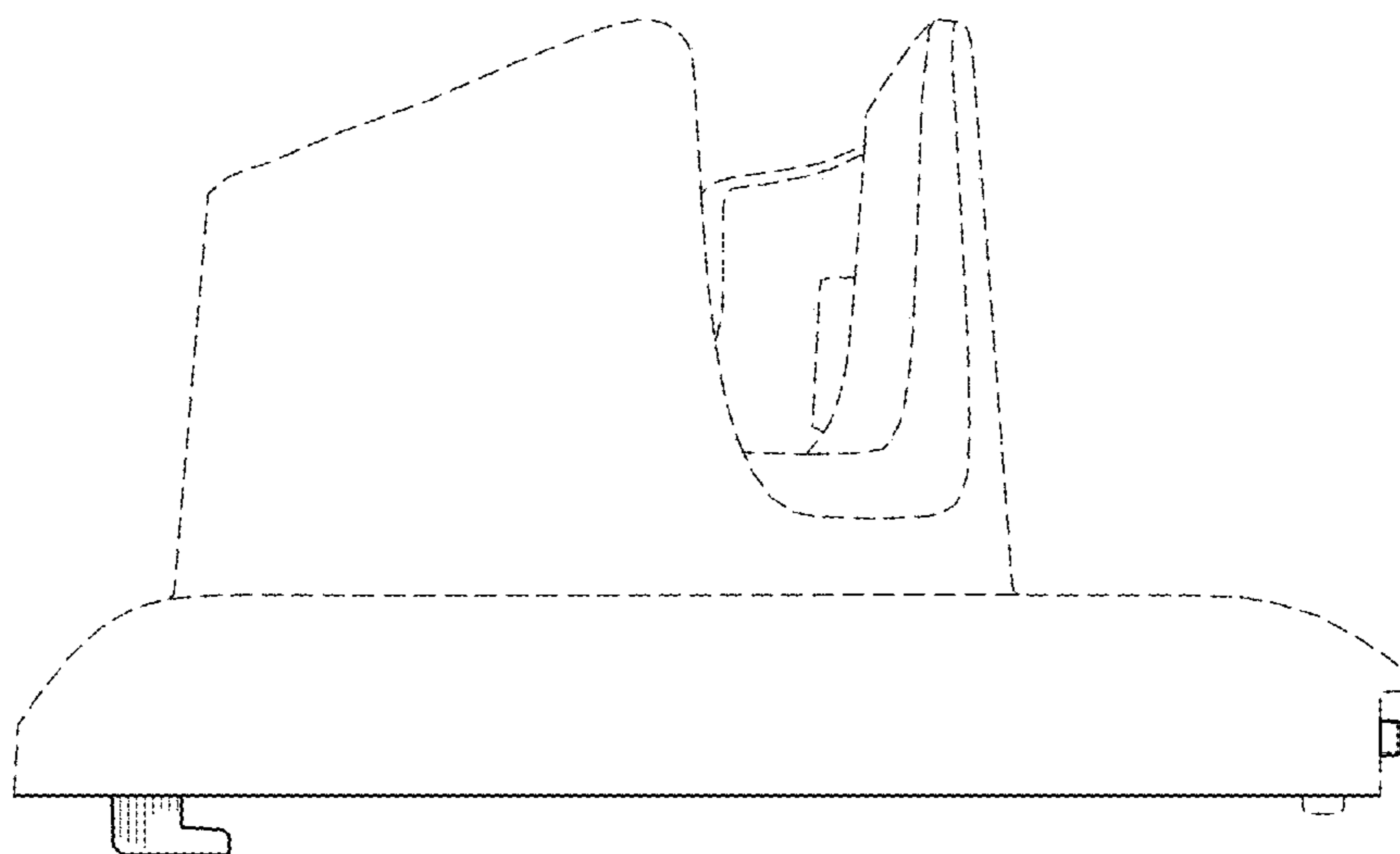


FIG. 7

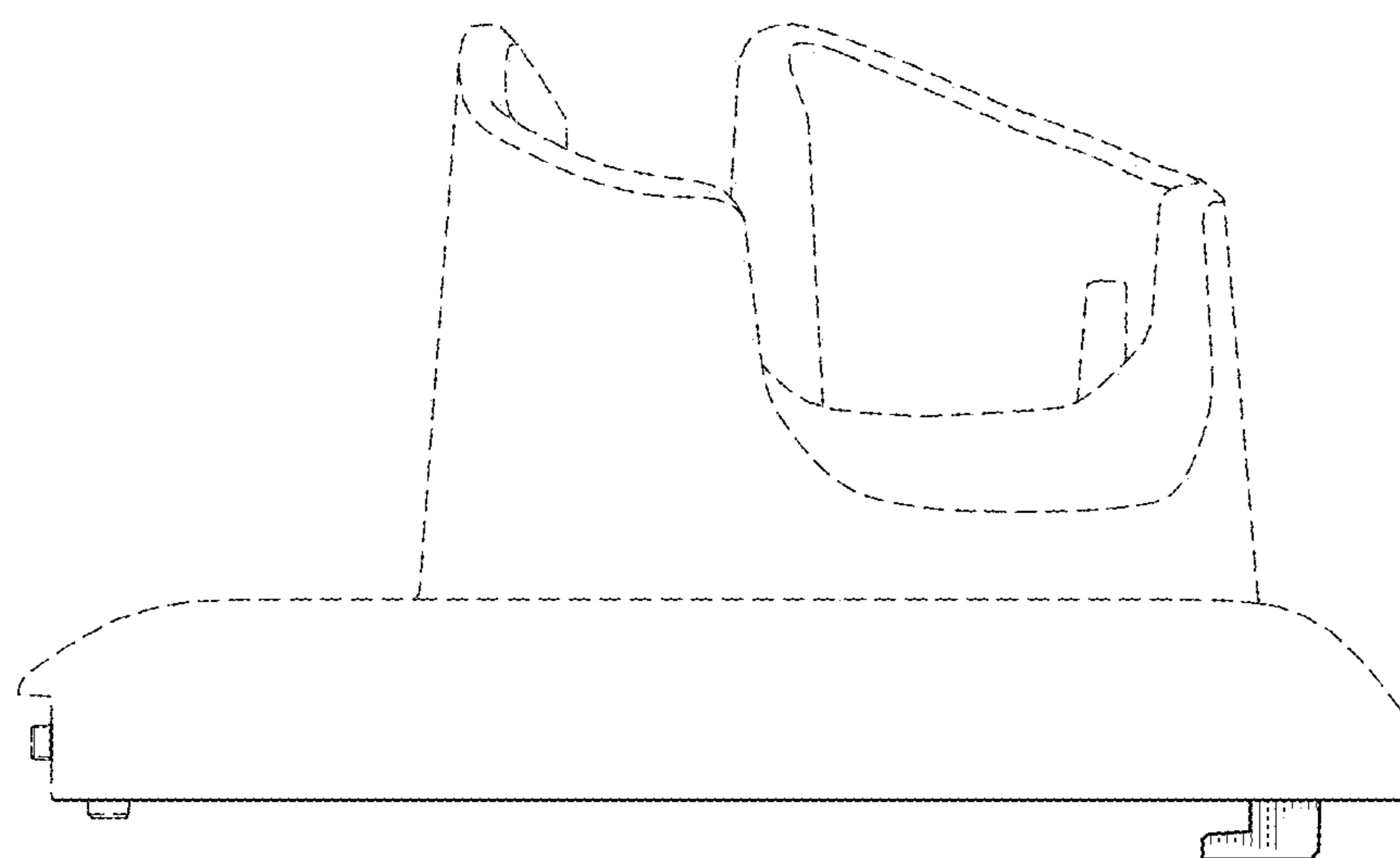


FIG. 8