



US00D736705S

(12) **United States Design Patent**
Brogan

(10) **Patent No.:** **US D736,705 S**
(45) **Date of Patent:** **** Aug. 18, 2015**

(54) **BATTERY PACK**

(71) Applicant: **Hugh Brogan**, Ballabeg (IM)

(72) Inventor: **Hugh Brogan**, Ballabeg (IM)

(**) Term: **14 Years**

(21) Appl. No.: **29/472,081**

(22) Filed: **Nov. 8, 2013**

(30) **Foreign Application Priority Data**

May 8, 2013 (EM) 002234369

(51) **LOC (10) Cl.** **13-02**

(52) **U.S. Cl.**
USPC **D13/108**

(58) **Field of Classification Search**

USPC D13/107-110, 118-119, 184, 199;
D14/251, 253, 432, 434, 434.1,
D14/480.1-480.7, 484.1; 320/107-115;
361/679.31, 679.33, 679.4, 752;
711/100, 115

CPC Y02E 60/12; Y02T 90/14; Y02T 90/122;
Y02T 90/128; Y02T 90/163; H02J 7/025;
H02J 7/0042; H02J 7/0044; H02J 7/0045;
H02J 7/0003; H01F 38/14; H01R 13/6675;
H01M 2/1022; H01M 2/1055; H01M 10/44;
H01M 10/46; H01M 10/425; B60L 11/182;
G06K 19/07732; H05K 5/0278

See application file for complete search history.

(56) **References Cited**

U.S. PATENT DOCUMENTS

D652,379 S * 1/2012 Vandiver D13/108
D659,094 S * 5/2012 Brand et al. D13/108

(Continued)

Primary Examiner — Rosemary K Tarcza

(74) *Attorney, Agent, or Firm* — Saul Ewing LLP
(57) **CLAIM**

The ornamental design for a battery pack, as shown and described.

DESCRIPTION

FIG. 1 is a back perspective view of a first embodiment of a battery pack with folded away mini USB connector, iPhone connector, lightning connector and USB connector showing our new design;

FIG. 2 is a front perspective view thereof;

FIG. 3 is a back view thereof;

FIG. 4 is a top view thereof;

FIG. 5 is a bottom view thereof;

FIG. 6 is a left view thereof;

FIG. 7 is a right view thereof;

FIG. 8 is a front view thereof with keys attached to give sense of perspective;

FIG. 9 is a front and top perspective view of a second embodiment thereof with USB or mini USB installed;

FIG. 10 is a front and top perspective view thereof with USB installed;

FIG. 11 is a front and top perspective view thereof with key ring separated;

FIG. 12 is a right perspective view thereof with mini USB connector installed;

FIG. 13 is a right perspective view thereof with mini USB connector separated;

FIG. 14 is a front and bottom perspective view thereof;

FIG. 15 is a bottom and right perspective view of a third embodiment thereof with iPhone connector, micro USB connector or lightning connector separated;

FIG. 16 is a top and right perspective view with iPhone connector installed, and the key ring removed;

FIG. 17 is a top and right perspective view with iPhone connector separated, and the key ring removed;

FIG. 18 is a right perspective view with micro USB connector installed, and the key ring removed;

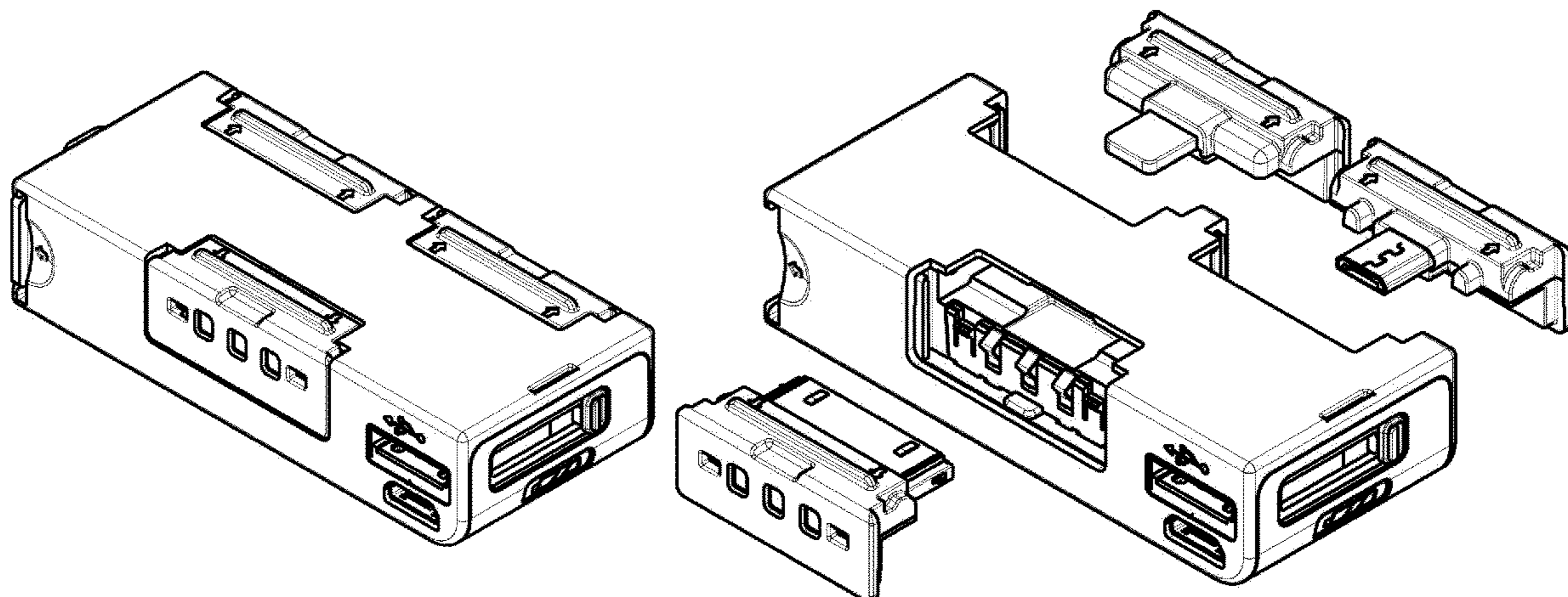
FIG. 19 is a right perspective view with lightning connector installed, and the key ring removed;

FIG. 20 is a right perspective view with lightning connector separated, and the key ring removed; and,

FIG. 21 is a right perspective view with iPhone connector installed, and the key ring removed, with an iPhone shown connected to give sense of perspective.

The broken lines shown in the drawings are included for the purpose of illustrating environmental structure and form no part of the claimed design.

1 Claim, 9 Drawing Sheets



(56)

References Cited

U.S. PATENT DOCUMENTS

D673,111 S *	12/2012	Lo et al.	D13/108	D711,318 S *	8/2014	Xinfang	D13/108
8,446,728 B1 *	5/2013	McDonald	361/737	D713,785 S *	9/2014	Tehrani	D13/108
D685,732 S *	7/2013	Miller et al.	D13/108	D716,224 S *	10/2014	Blumin et al.	D13/108
D704,629 S *	5/2014	Liu	D13/108	2013/0193911 A1 *	8/2013	Miller et al.	320/107
				2014/0042969 A1 *	2/2014	Miller et al.	320/111
				2015/0028797 A1 *	1/2015	Miller et al.	320/103

* cited by examiner

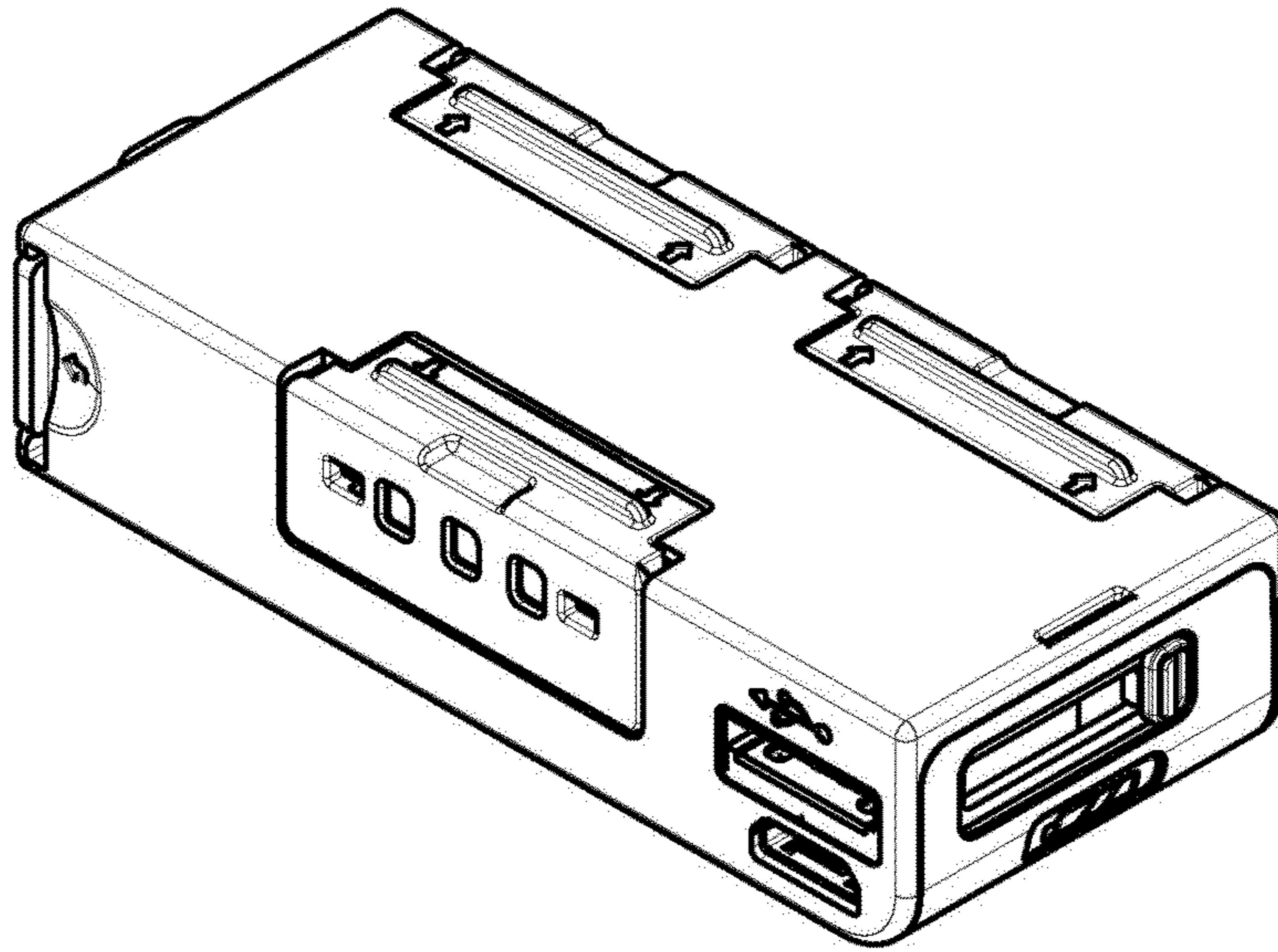


Figure 1



Figure 2

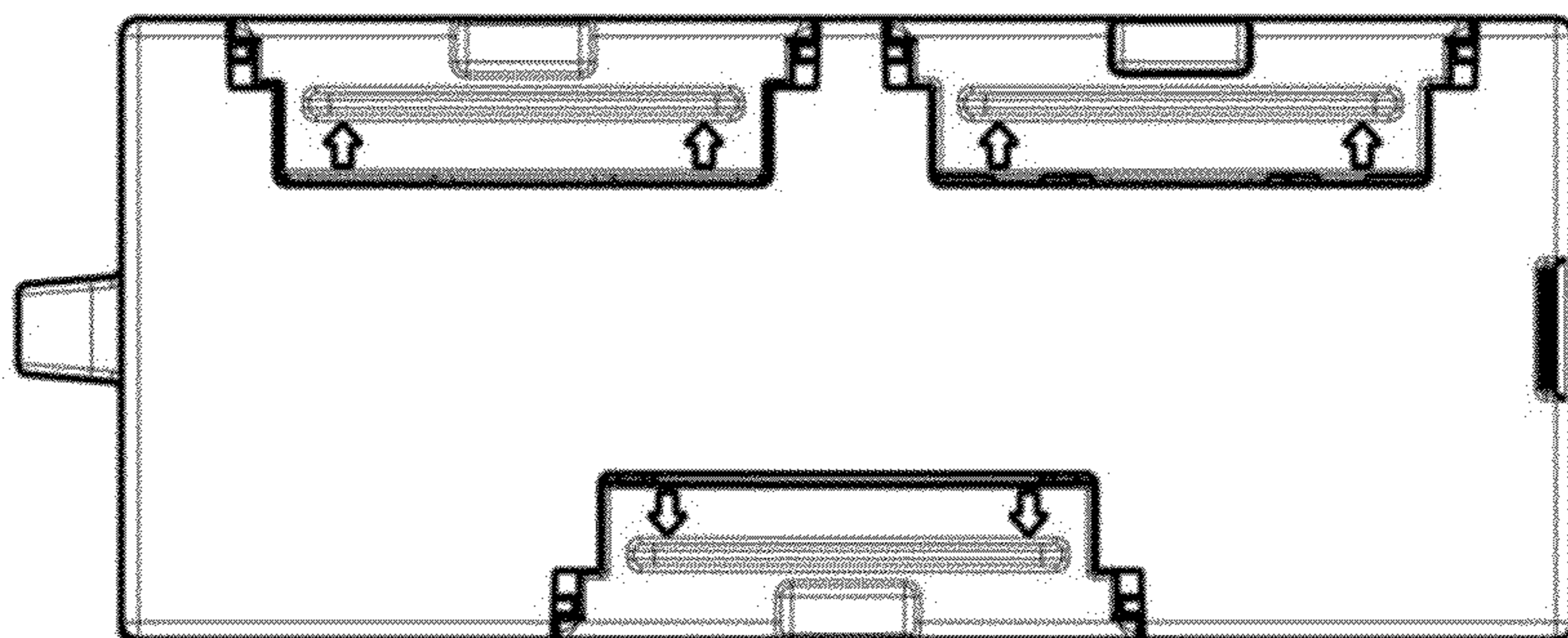


Figure 3

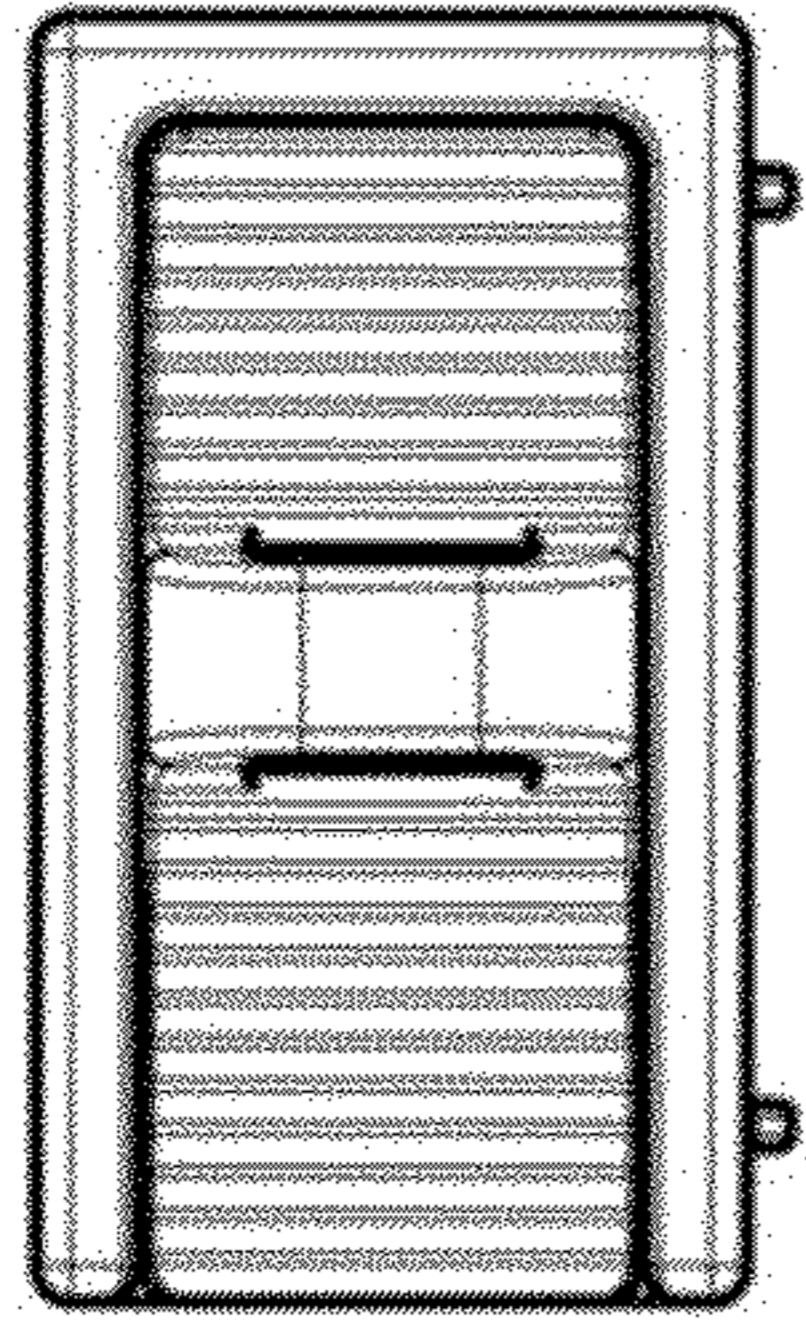


Figure 4

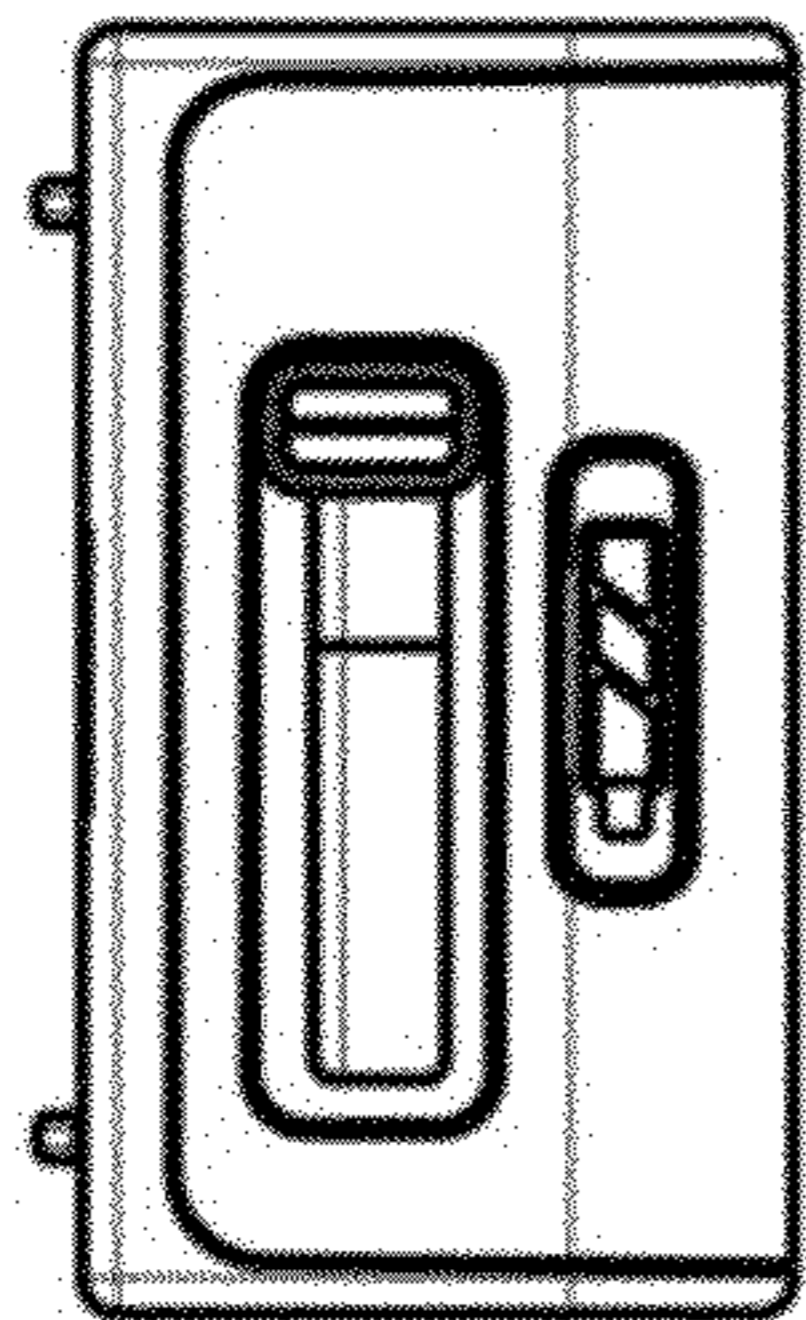


Figure 5

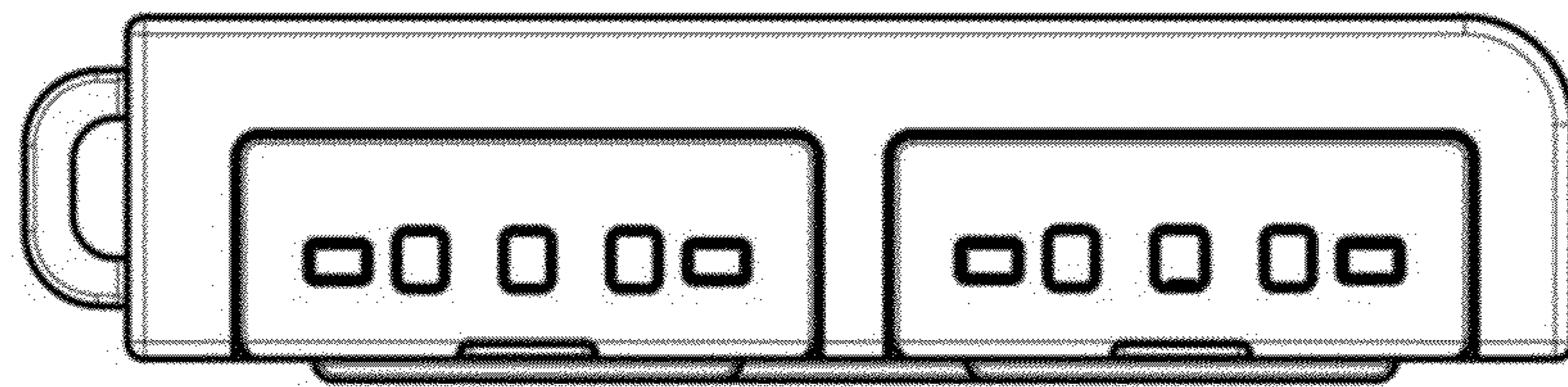


Figure 6

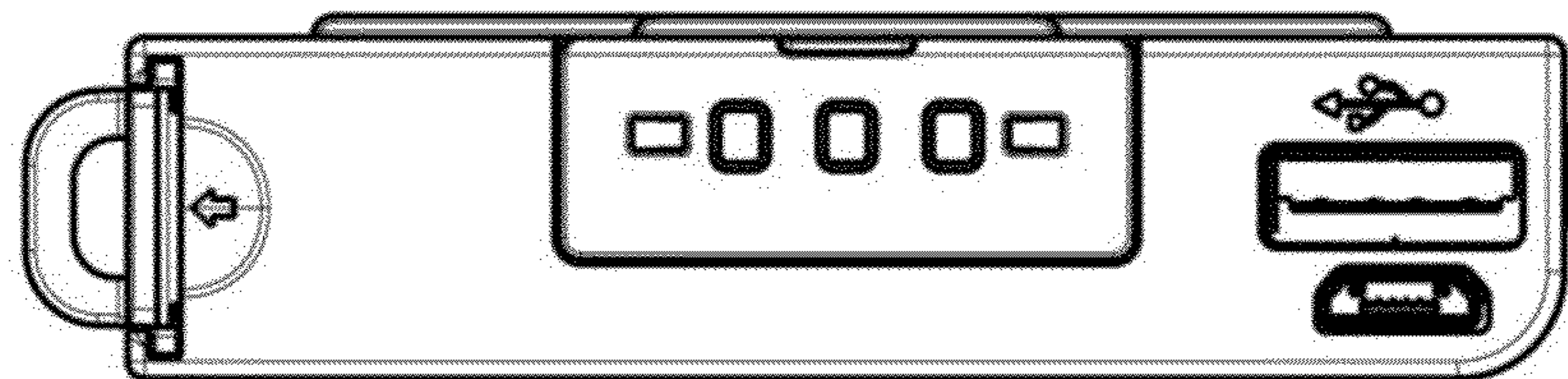


Figure 7

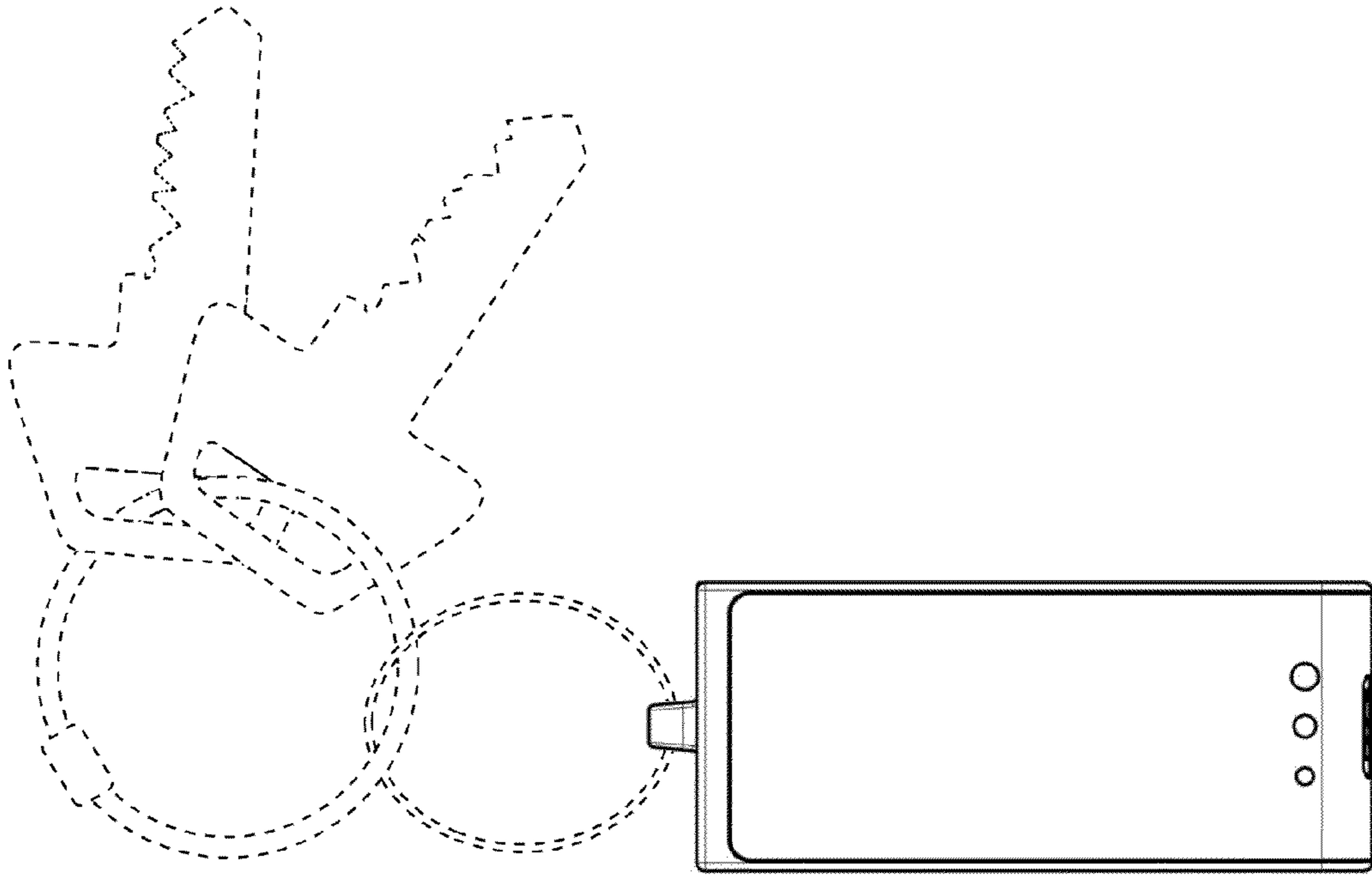


Figure 8

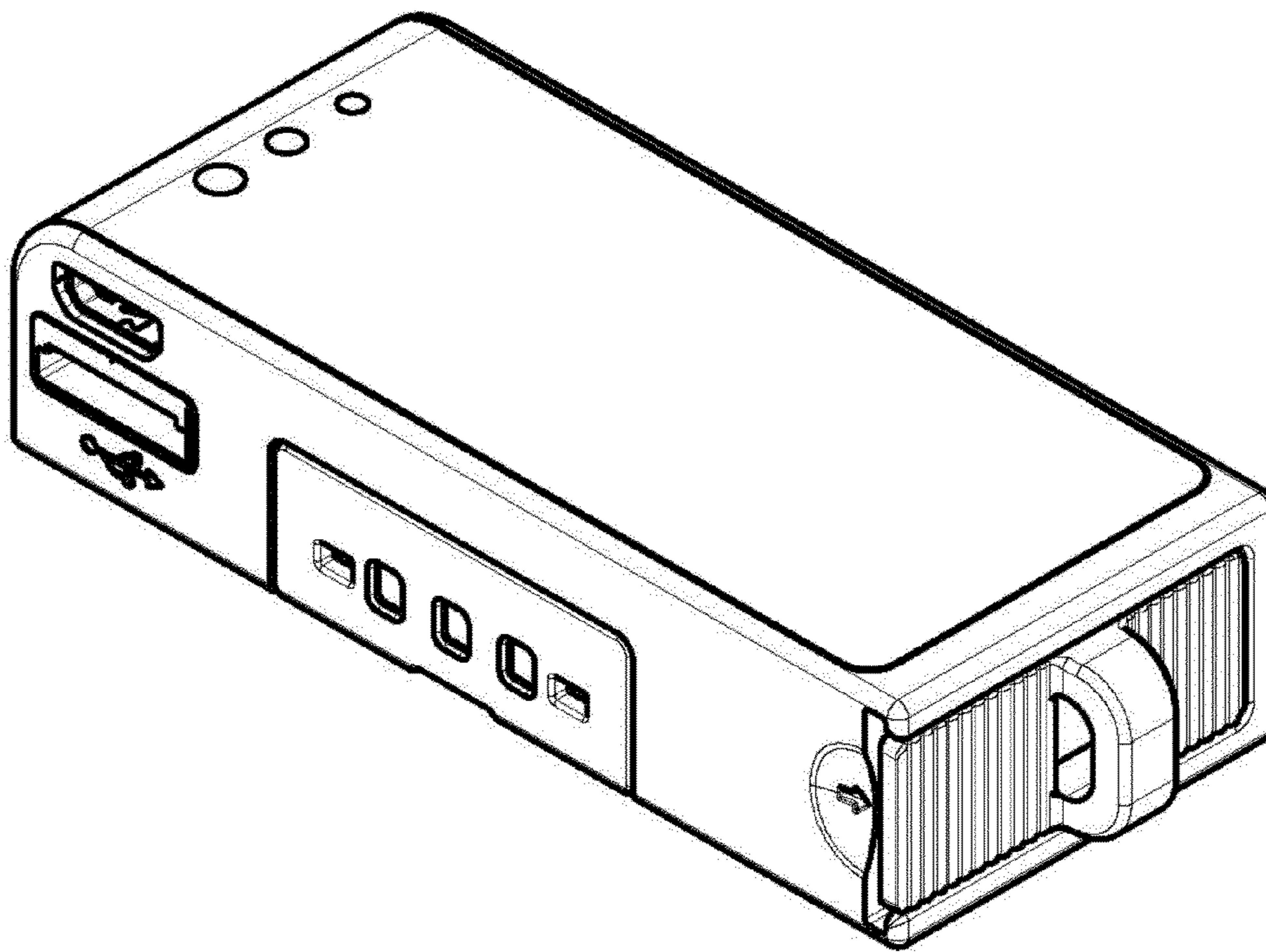


Figure 9

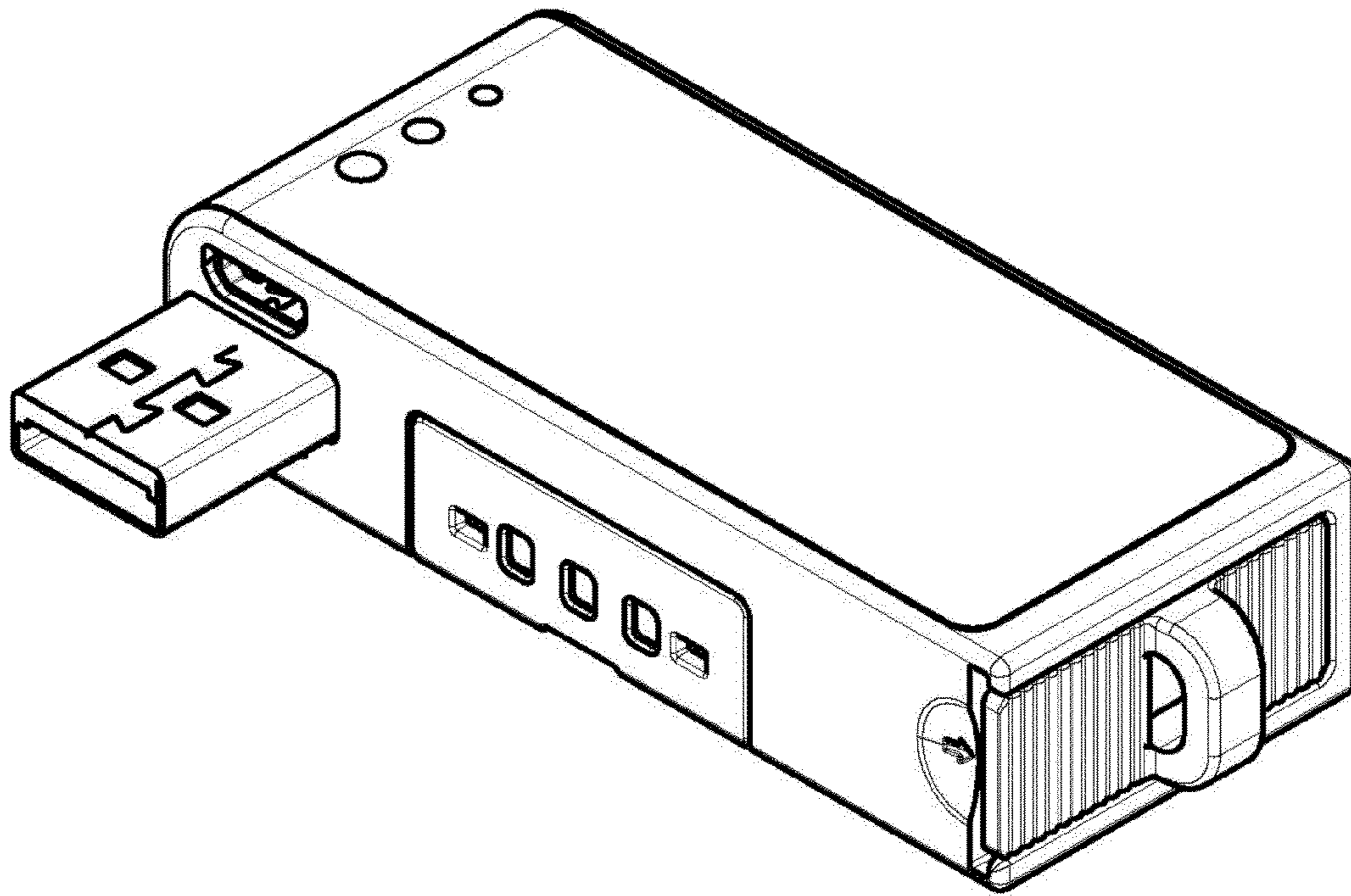


Figure 10

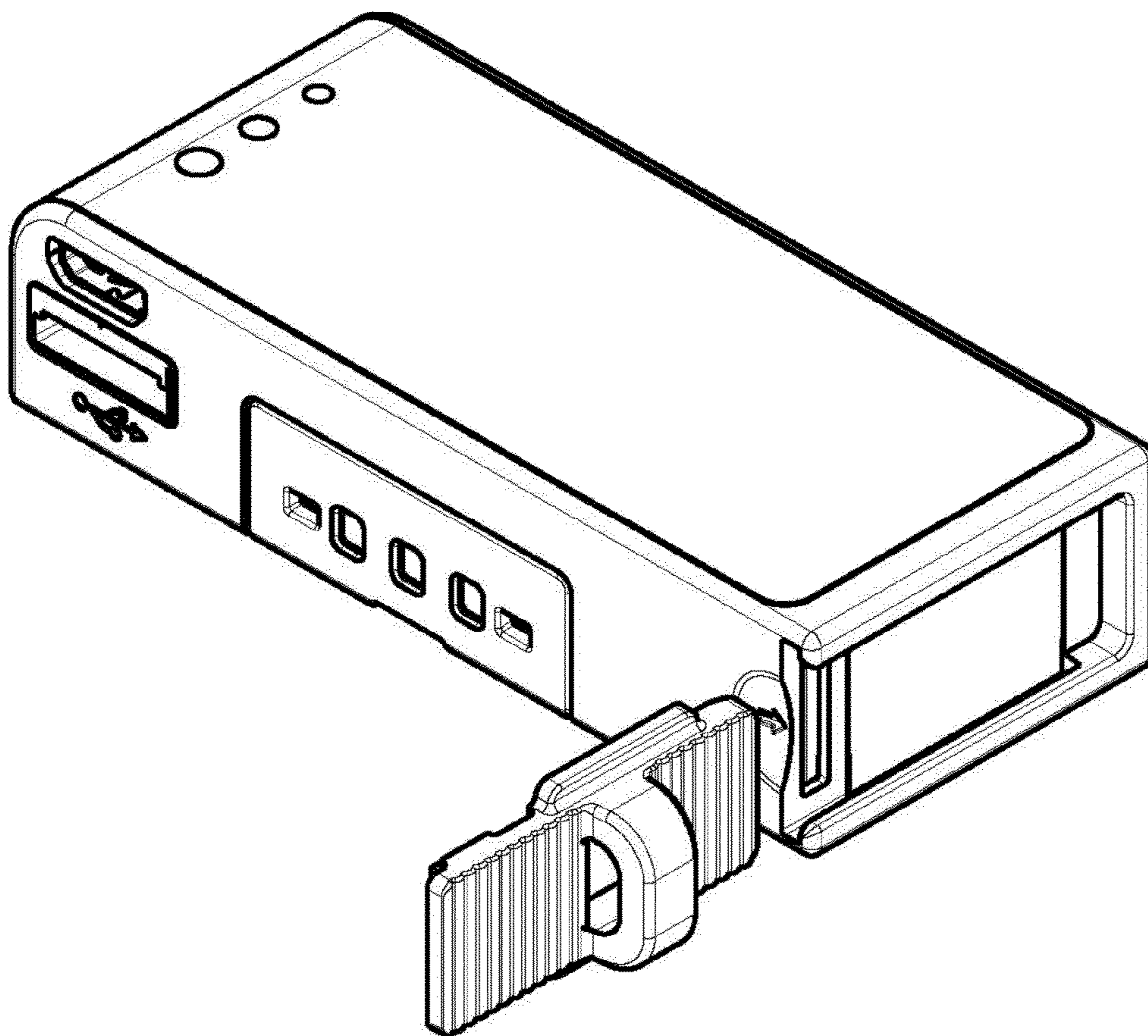


Figure 11

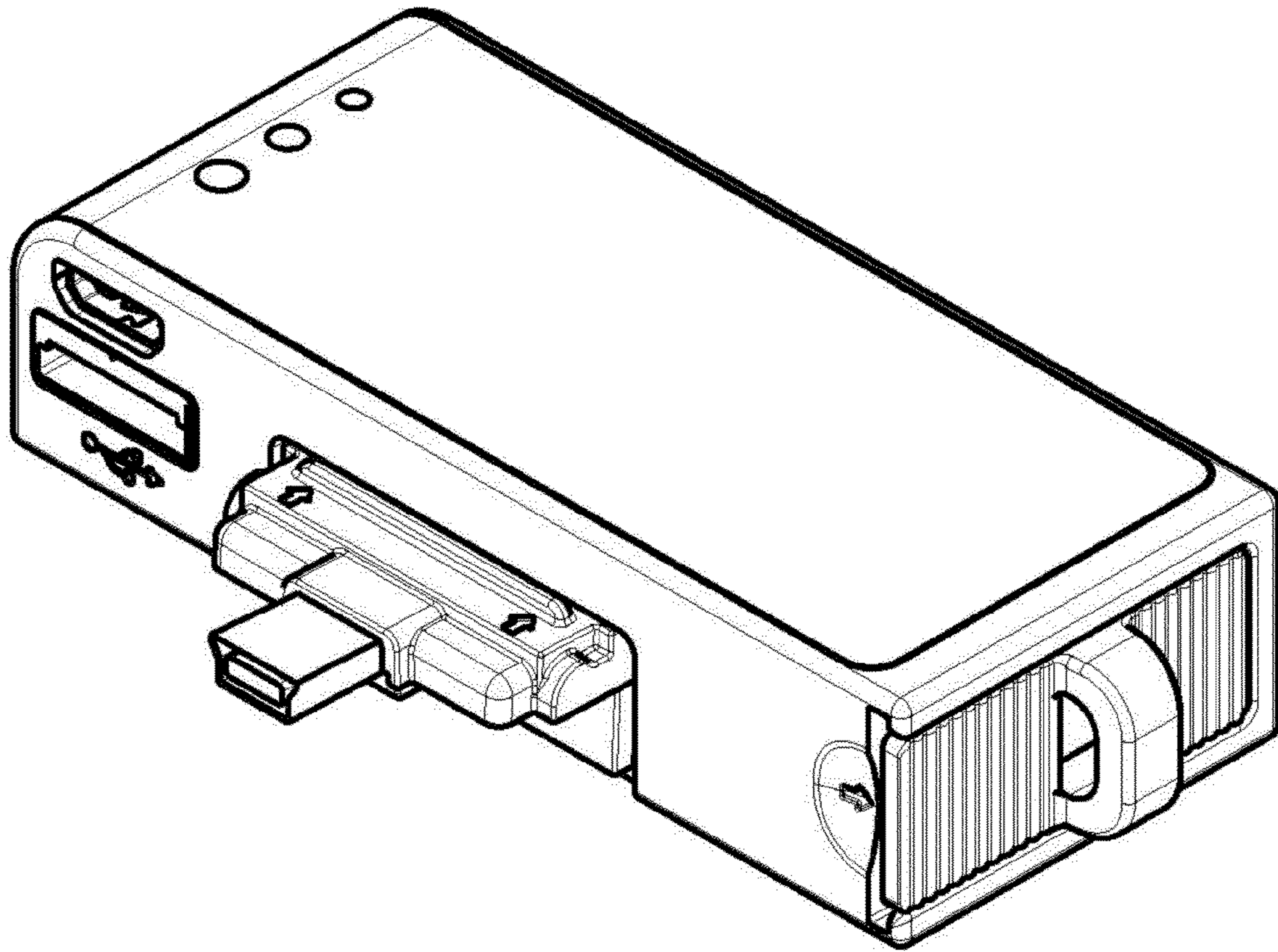


Figure 12

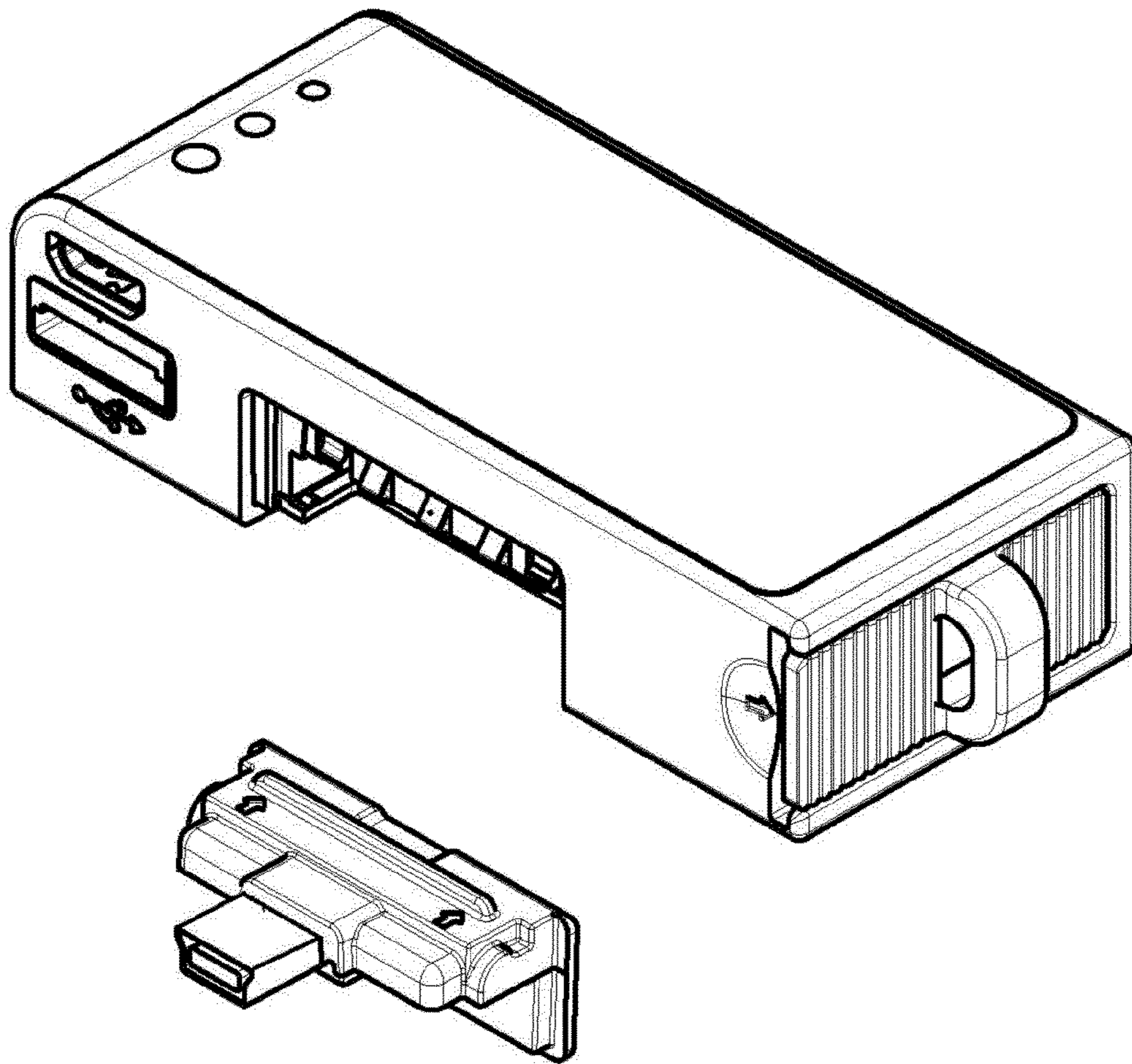


Figure 13

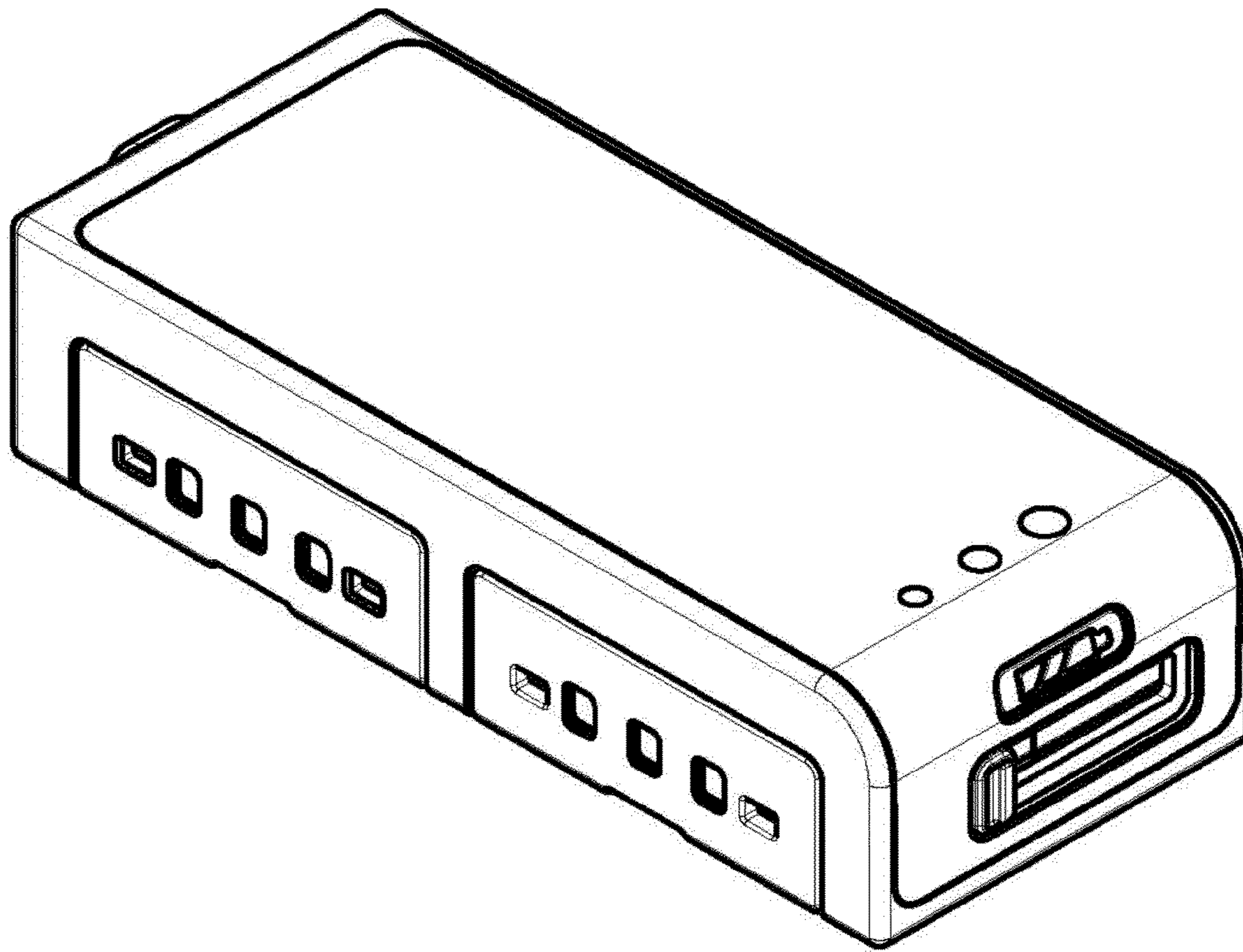


Figure 14

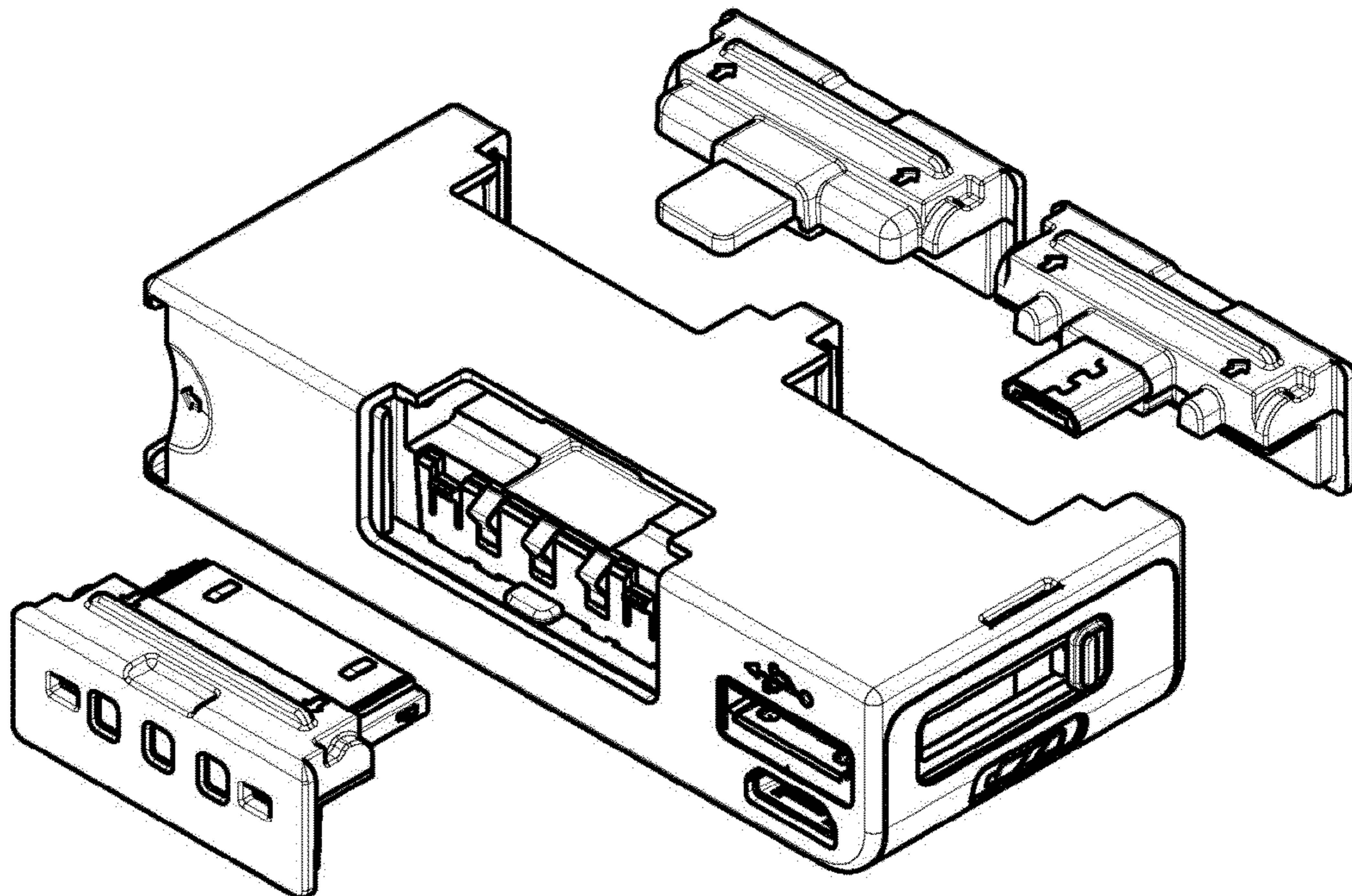


Figure 15

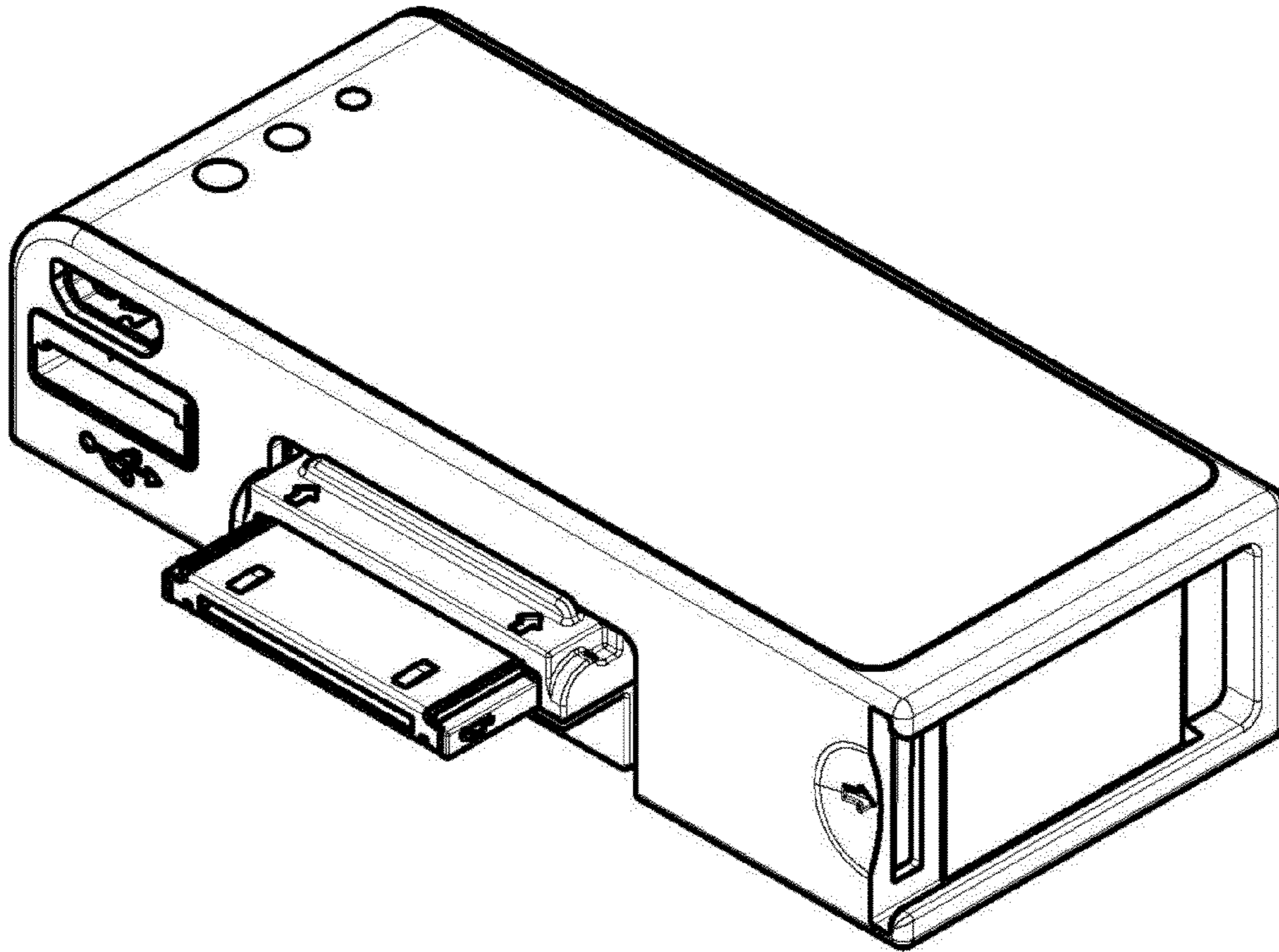


Figure 16

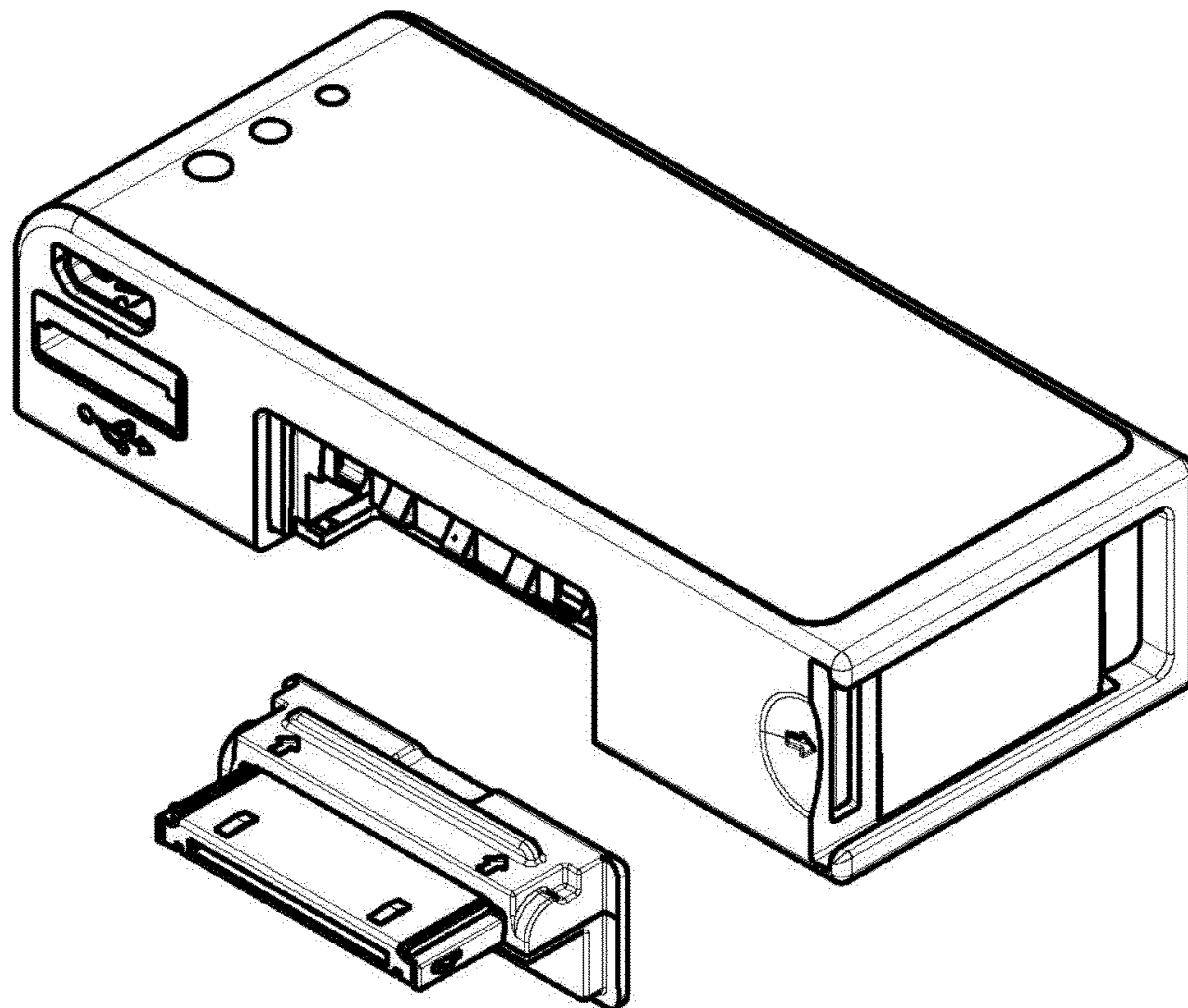


Figure 17

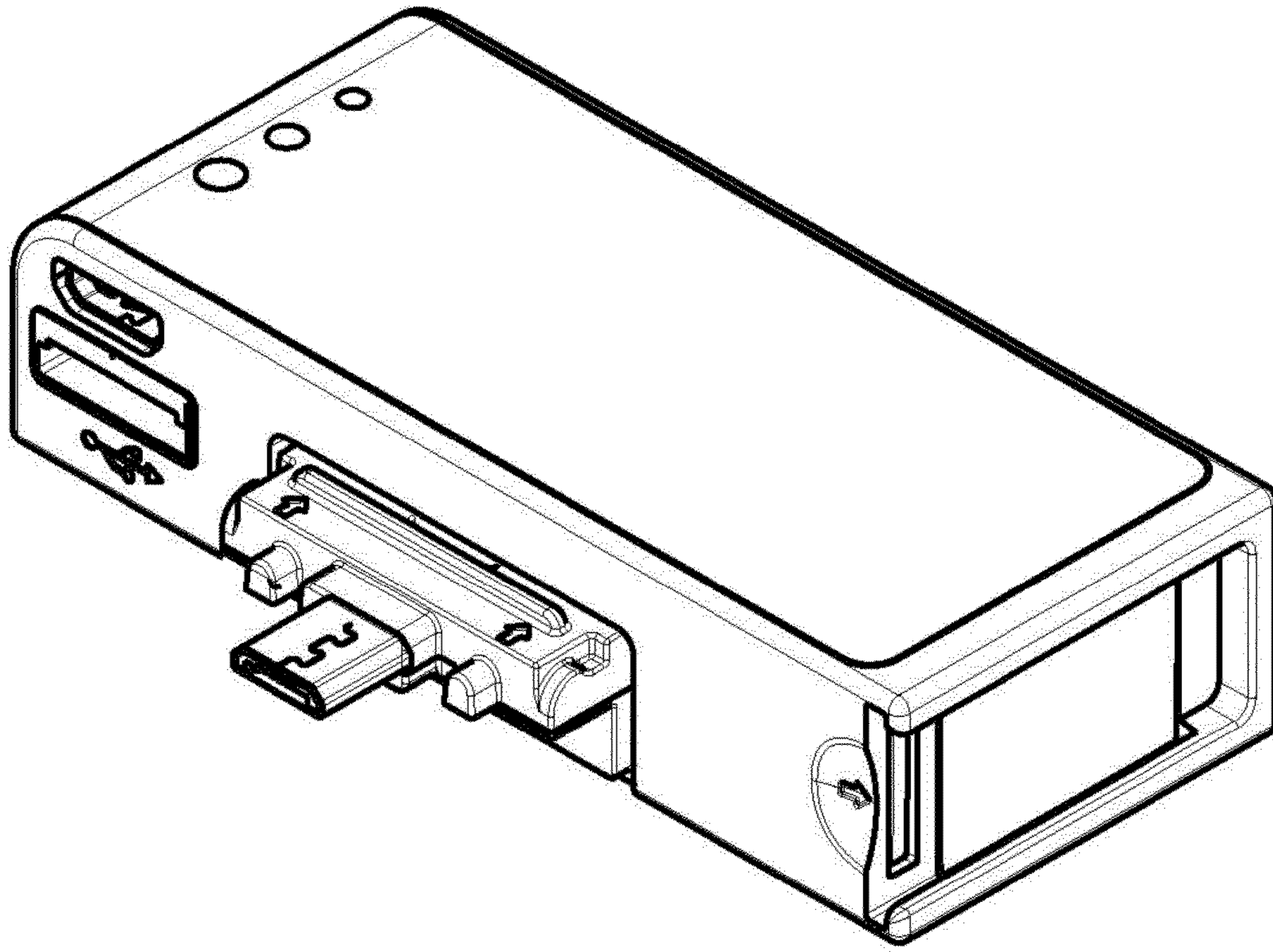


Figure 18

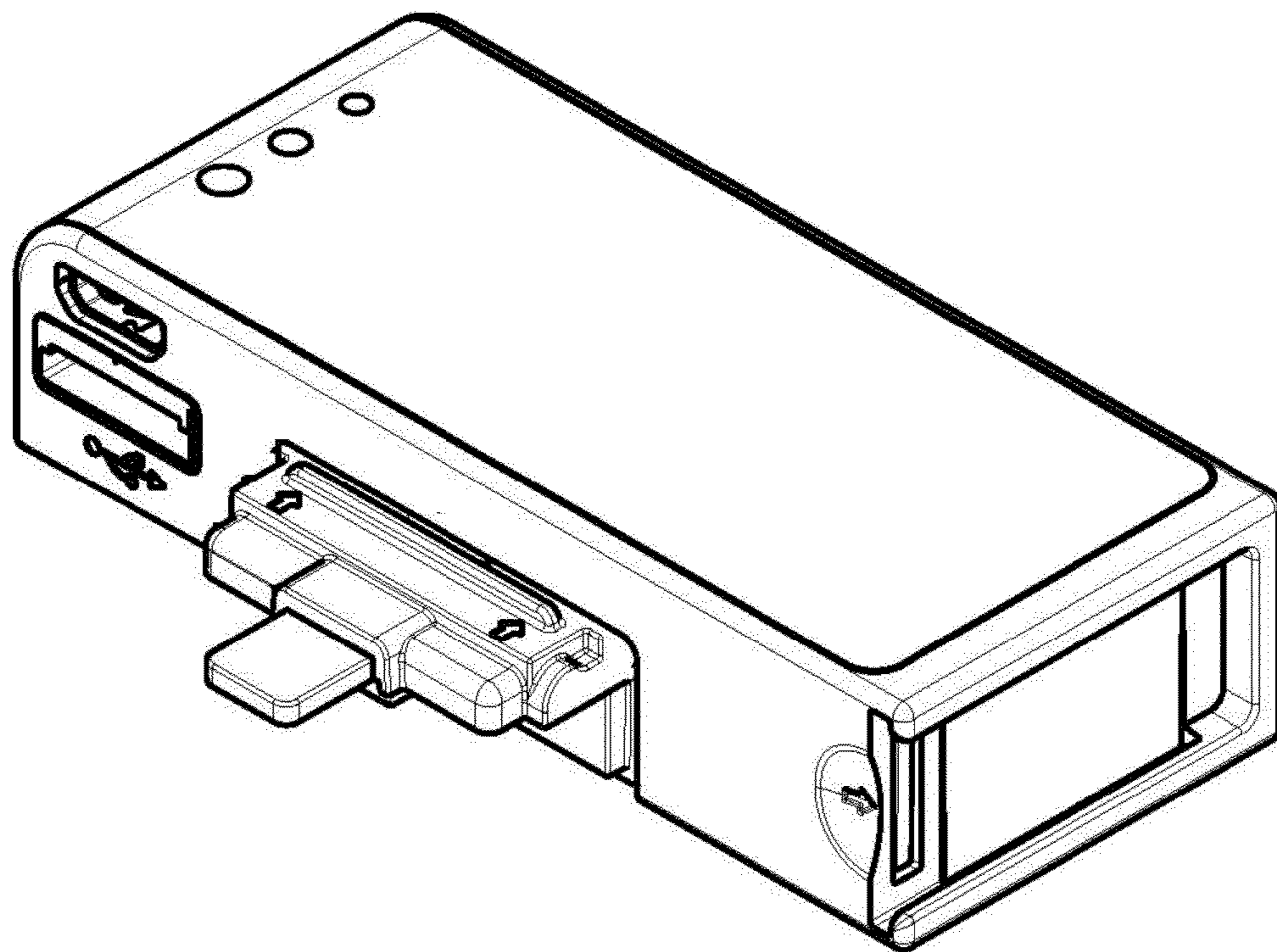


Figure 19

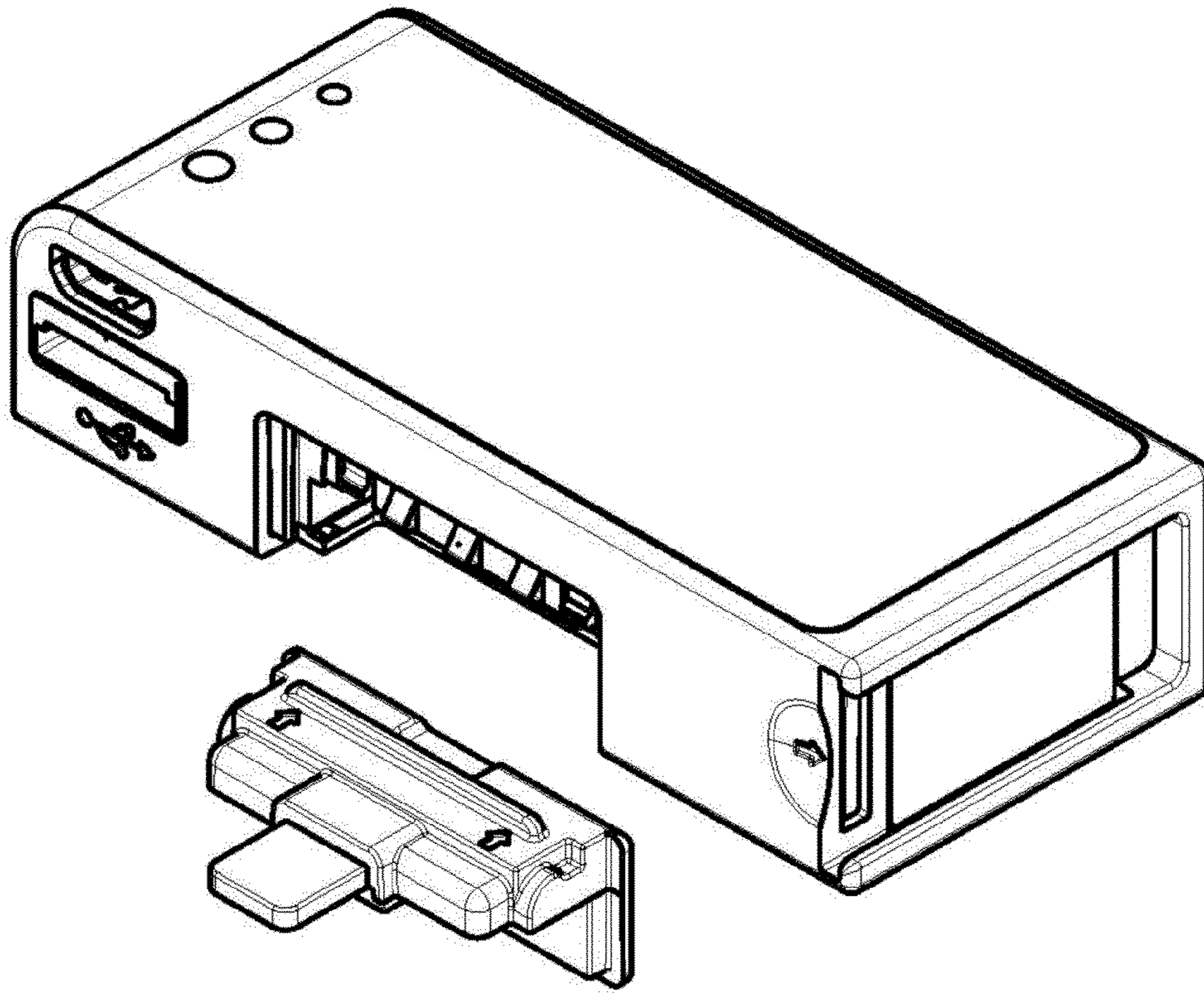


Figure 20

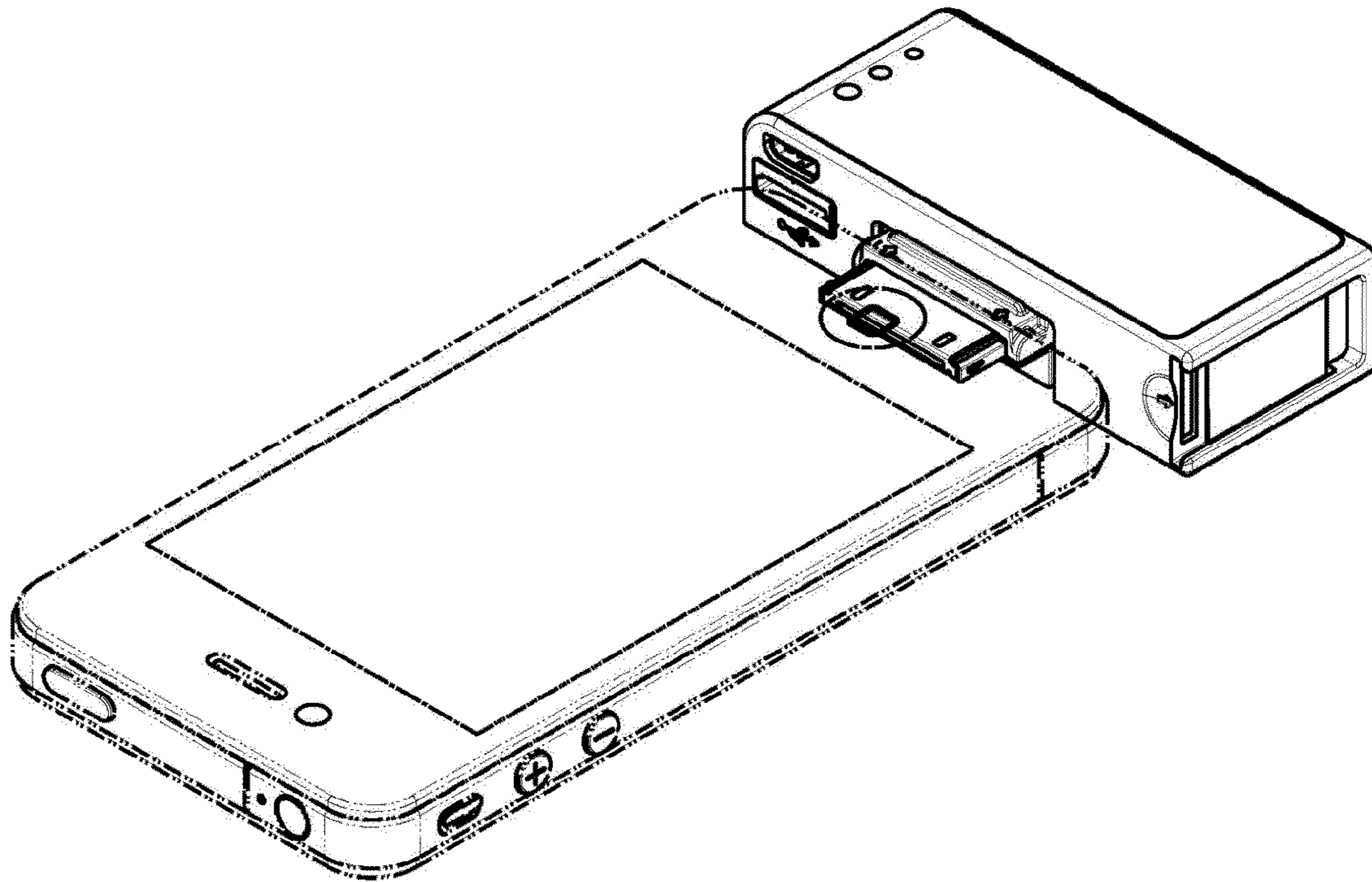


Figure 21