



US00D736703S

(12) **United States Design Patent**
Kotaniemi et al.

(10) **Patent No.:** **US D736,703 S**
(45) **Date of Patent:** **** Aug. 18, 2015**

(54) **CHARGING STATION WITH TABLETS**

(71) Applicant: **Aitico Oy**, Lahti (FI)

(72) Inventors: **Sari Kotaniemi**, Oulo (FI); **Juho Tuovila**, Oulo (FI); **Harri Ahola**, Oulunsalo (FI); **Marko Puharinen**, Kuopio (FI); **Tommi Takkinen**, Oulu (FI); **Evgeny Lykov**, Mestakyla (FI)

(73) Assignee: **AITICO OY**, Lahti (FI)

(**) Term: **14 Years**

(21) Appl. No.: **29/469,611**

(22) Filed: **Oct. 11, 2013**

(30) **Foreign Application Priority Data**

May 13, 2013 (EM) 002235739

(51) **LOC (10) Cl.** **13-02**

(52) **U.S. Cl.**
USPC **D13/108; D14/341**

(58) **Field of Classification Search**
USPC D13/107-110, 118-119, 184, 199;
D14/251, 253, 432, 434, 341-347;
320/107-115, 128, 137-140;
455/556.1, 556.2, 575.1; 345/156-157,
345/168-169, 173; 361/679.26, 679.3
See application file for complete search history.

(56) **References Cited**

U.S. PATENT DOCUMENTS

D278,704 S *	5/1985	Claxton et al.	D13/107
D322,060 S *	12/1991	Iino	D13/107
5,317,691 A *	5/1994	Traeger	709/250
D350,329 S *	9/1994	Lindeman et al.	D13/107
D359,474 S *	6/1995	Palatov	D13/108
D388,764 S *	1/1998	Bartling et al.	D13/107
D392,259 S *	3/1998	Simmon	D14/341
D395,281 S *	6/1998	Waldner	D13/108

D397,084 S *	8/1998	Siddoway	D13/107
D402,258 S *	12/1998	Kawakami	D13/107
D425,558 S *	5/2000	Tarpenning et al.	D19/26
D526,995 S *	8/2006	Claxton et al.	D14/253
D590,825 S *	4/2009	Liu	D14/341
D609,637 S *	2/2010	Chu et al.	D13/108
7,777,448 B2 *	8/2010	Beghelli	320/113
D628,569 S *	12/2010	Guo	D14/341
D629,355 S *	12/2010	Bodley et al.	D13/108
D631,435 S *	1/2011	Cacioppo et al.	D13/107
7,888,913 B1 *	2/2011	Marty et al.	320/132
D647,907 S *	11/2011	Perry et al.	D14/434

(Continued)

Primary Examiner — Rosemary K Tarcza

(74) *Attorney, Agent, or Firm* — Klauber & Jackson LLC

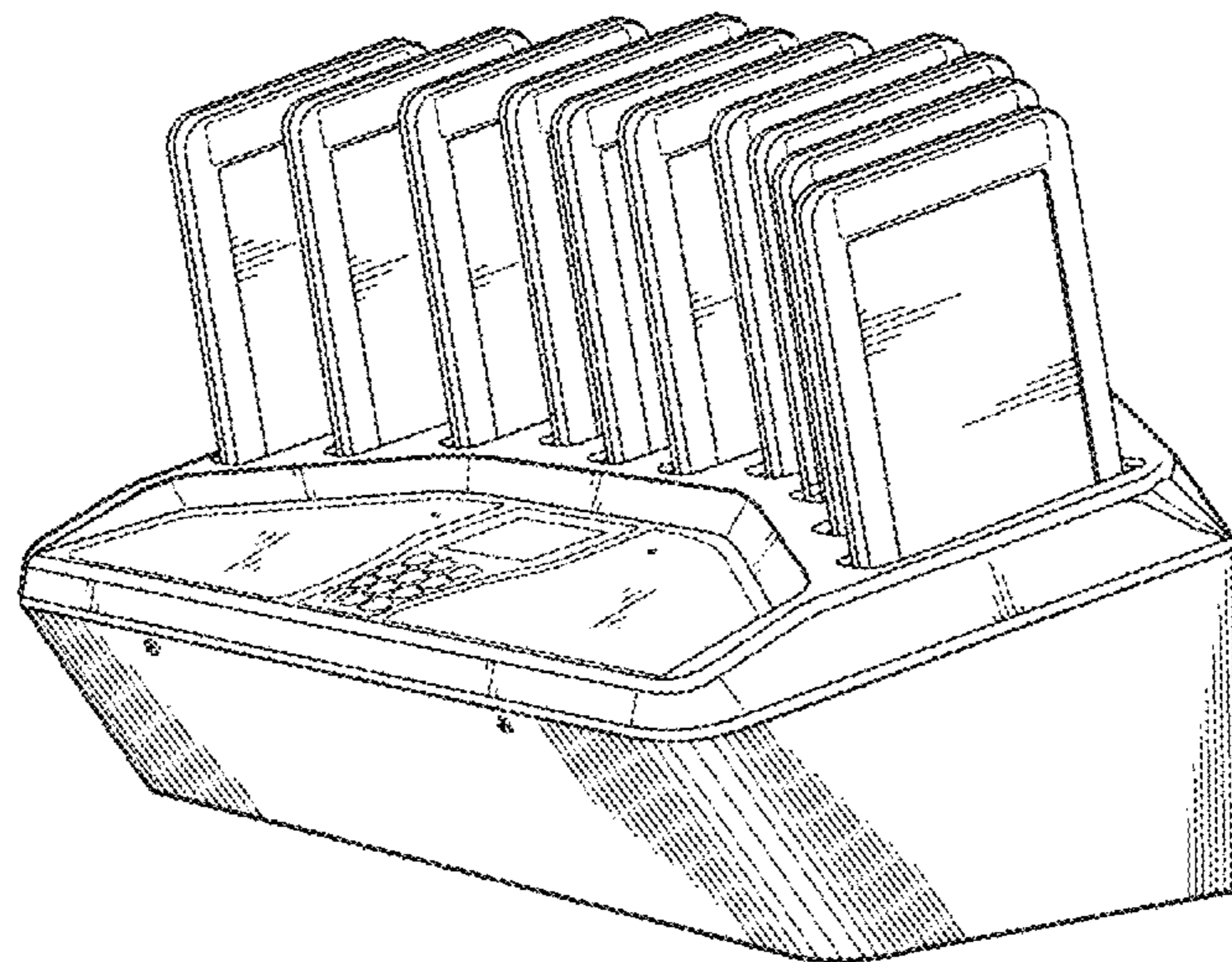
(57) **CLAIM**

The ornamental design for a charging station with tablets, as shown and described.

DESCRIPTION

FIG. 1 is a perspective view of the front, top and left side of a charging station with tablets showing our new design;
 FIG. 2 is a top view thereof;
 FIG. 3 is a front elevation view thereof;
 FIG. 4 is a rear view thereof;
 FIG. 5 is a left side view thereof;
 FIG. 6 is a right side view thereof;
 FIG. 7 is a bottom view thereof;
 FIG. 8 is a perspective view similar to FIG. 1, depicting the keyboard on the upper forward surface thereof in broken lines;
 FIG. 9 is front elevation view similar to FIG. 2, depicting the keyboard on the upper forward surface thereof in broken lines; and,
 FIG. 10 is a top view similar to FIG. 3, depicting the keyboard on the upper forward surface thereof in broken lines.
 The broken lines shown in the drawings are included for the purpose of illustrating environmental structure and form no part of the claimed design.

1 Claim, 5 Drawing Sheets



(56)

References Cited

U.S. PATENT DOCUMENTS

D654,019 S *	2/2012	Ikegame	D13/108	D690,692 S *	10/2013	Shin	D14/341
D654,497 S *	2/2012	Lee	D14/341	D691,132 S *	10/2013	Sharma et al.	D14/341
D675,622 S *	2/2013	Petrick et al.	D14/434	D692,420 S *	10/2013	McManigal et al.	D14/341
D677,658 S *	3/2013	Akana et al.	D14/341	D696,246 S *	12/2013	Kim	D14/341
D680,525 S *	4/2013	Deto et al.	D14/341	D710,797 S *	8/2014	Awiszus et al.	D13/107
D687,825 S *	8/2013	Lee et al.	D14/341	2004/0080298 A1 *	4/2004	Maggert et al.	320/107
D687,826 S *	8/2013	Jeon et al.	D14/341	2007/0273330 A1 *	11/2007	Beghelli	320/113
				2012/0194132 A1 *	8/2012	Ikegame	320/113
				2013/0134930 A1 *	5/2013	Konkle et al.	320/108

* cited by examiner

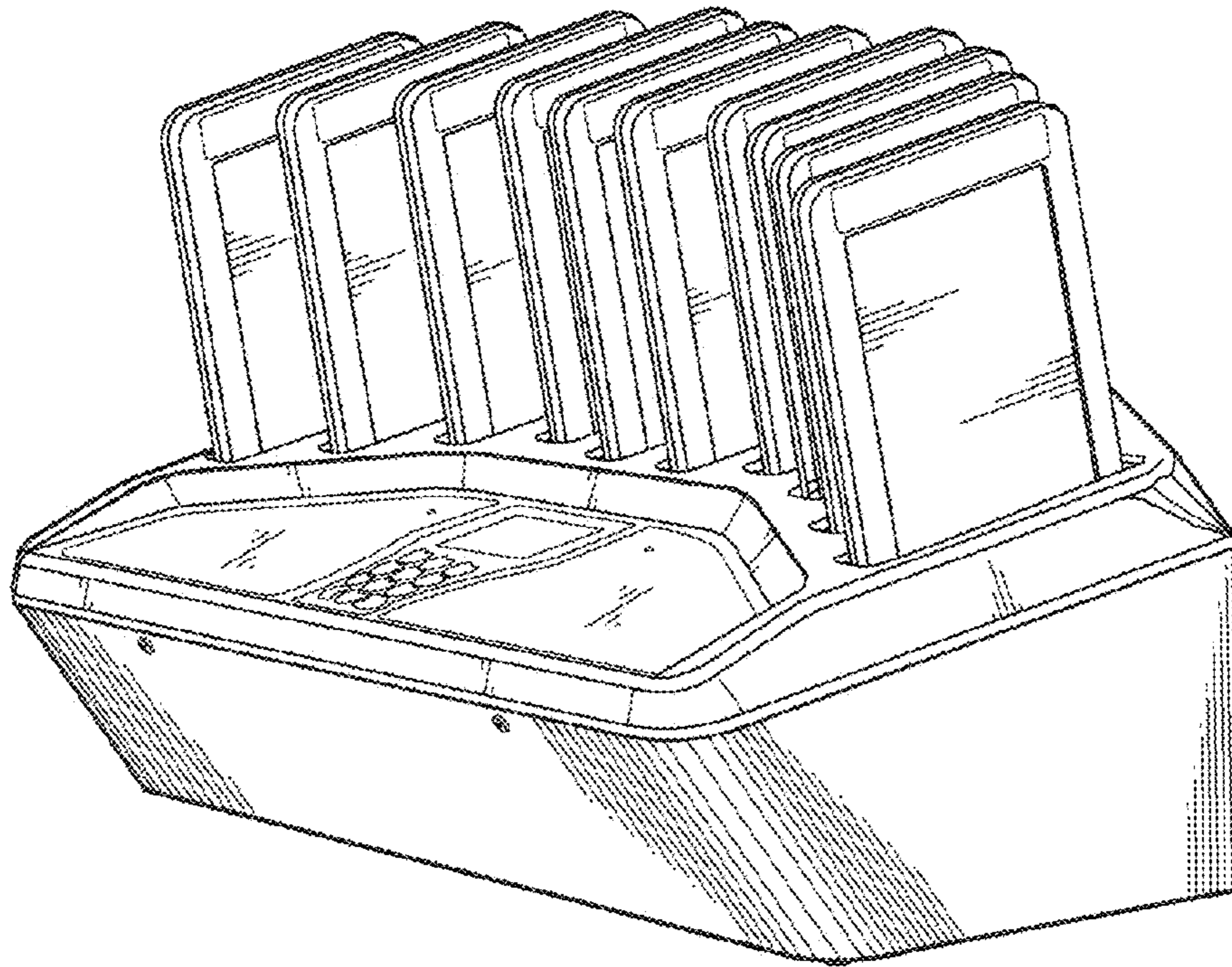


FIG. 1

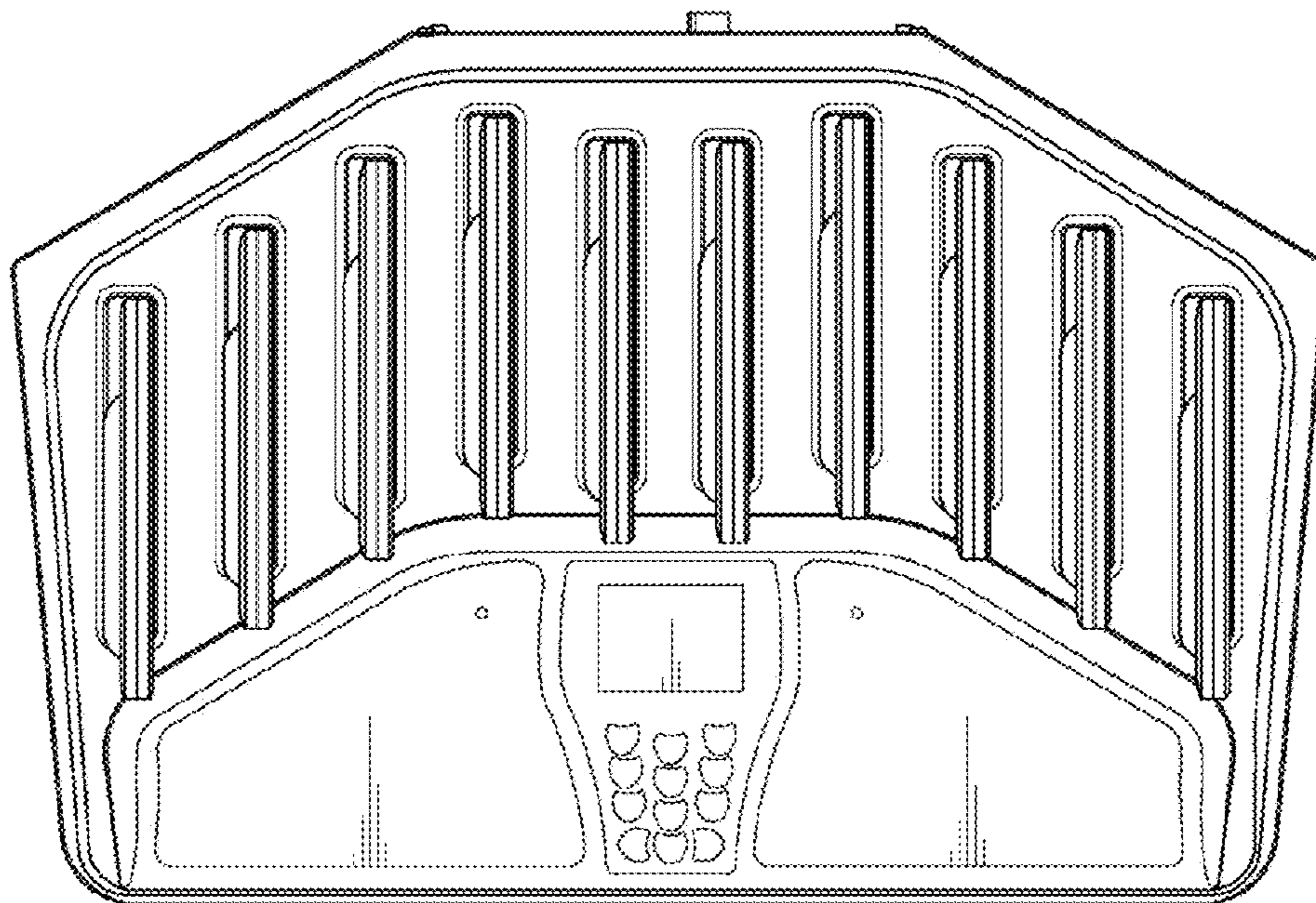


FIG. 2

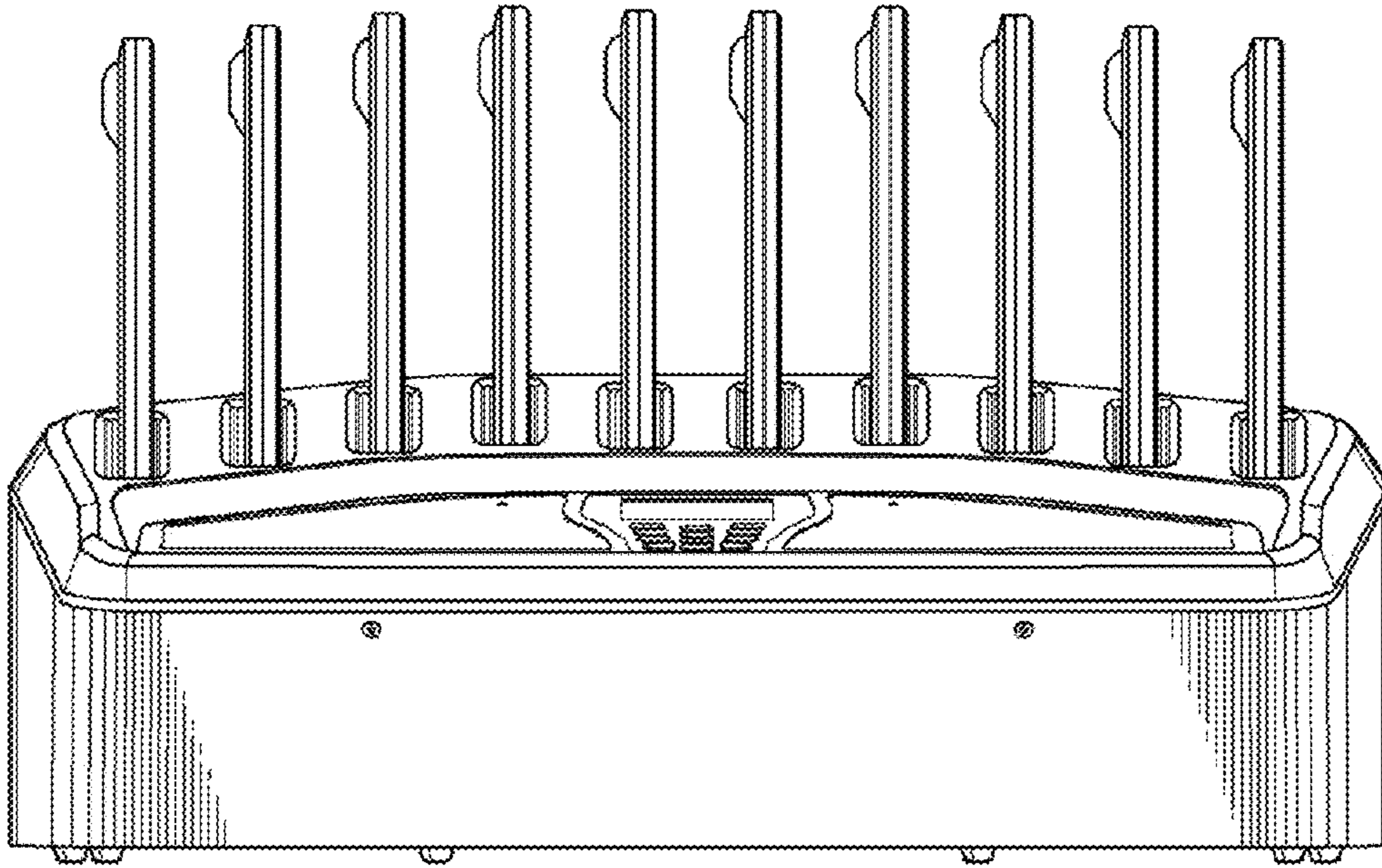


FIG. 3

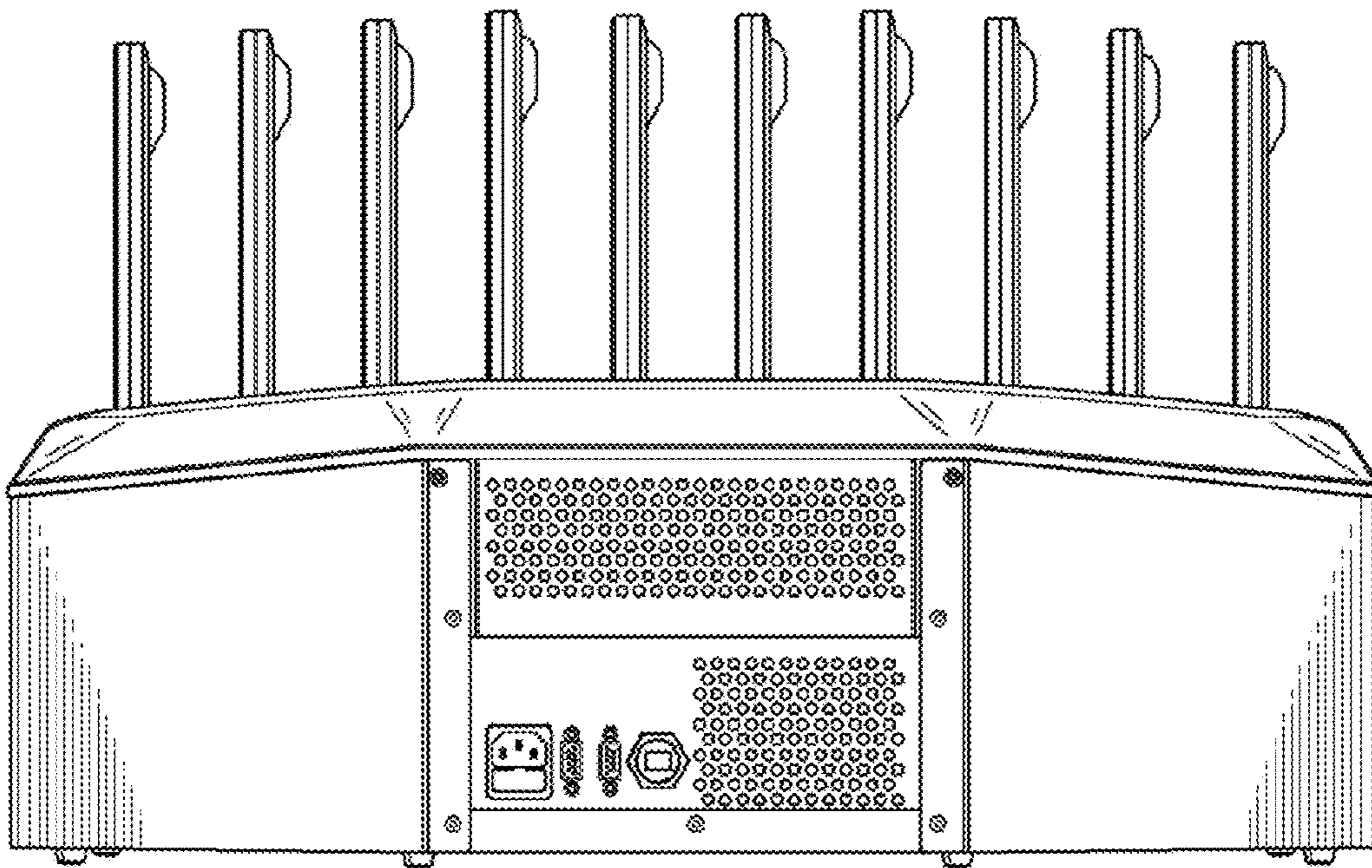


FIG. 4

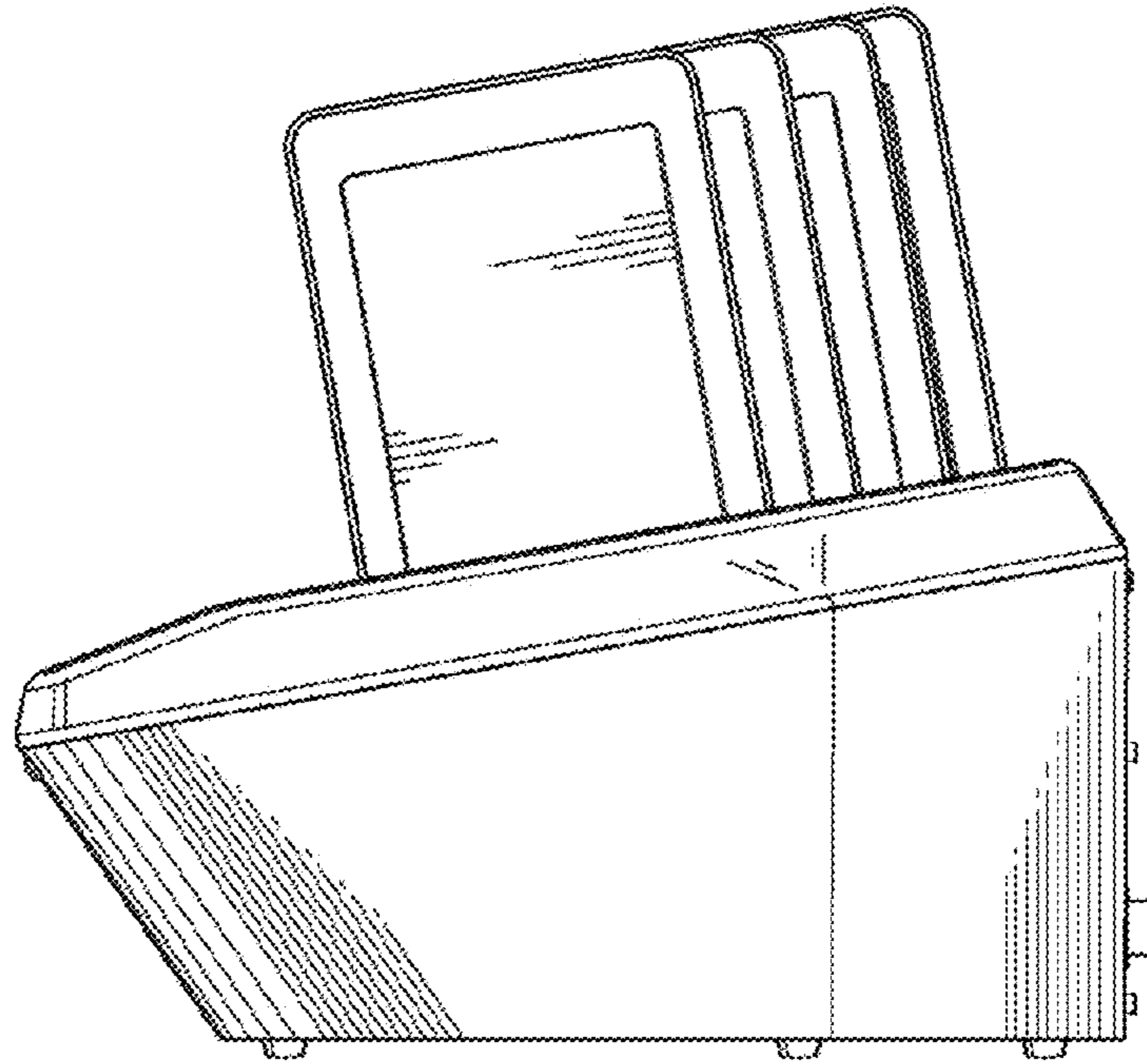


FIG. 5

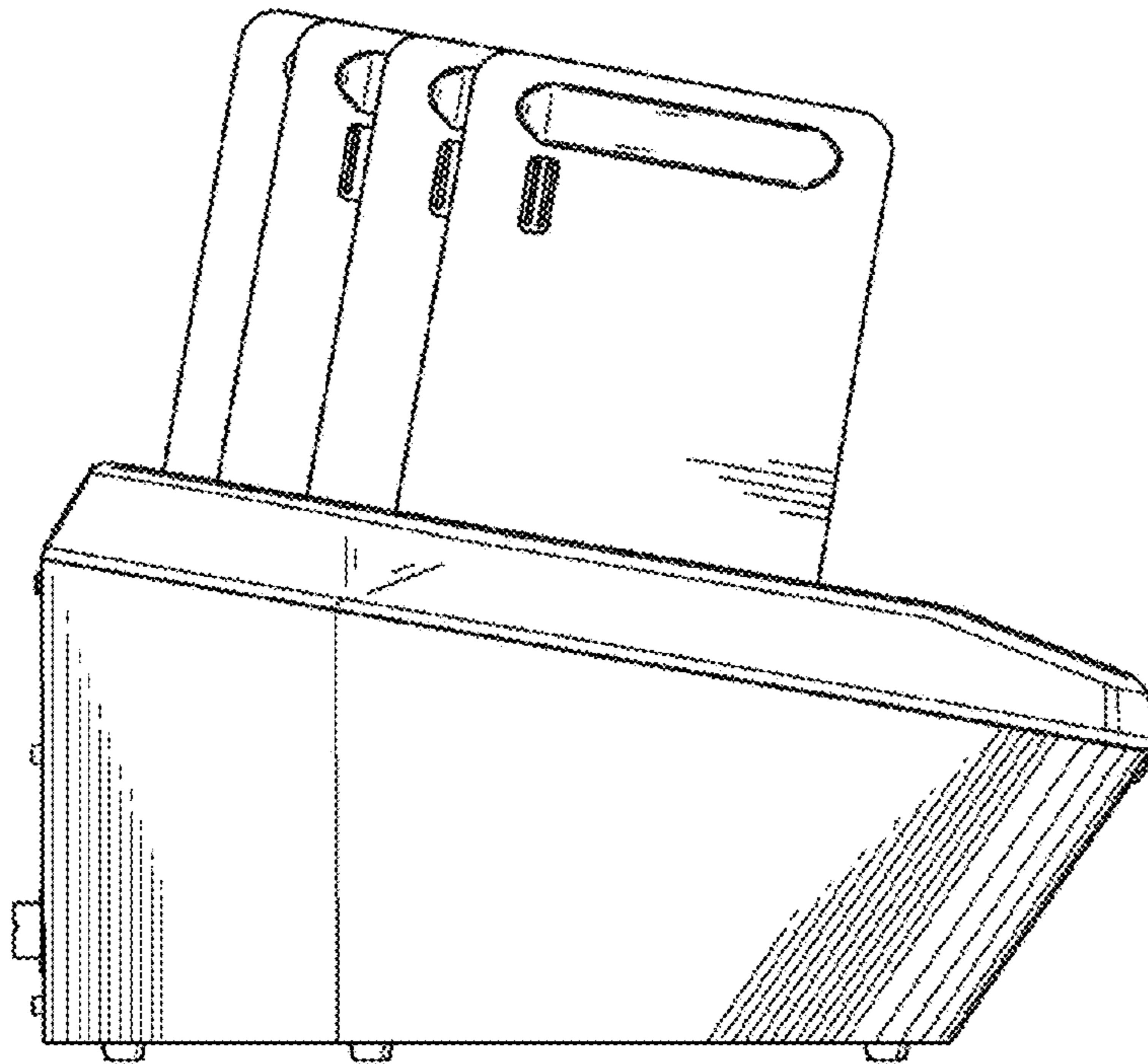


FIG. 6

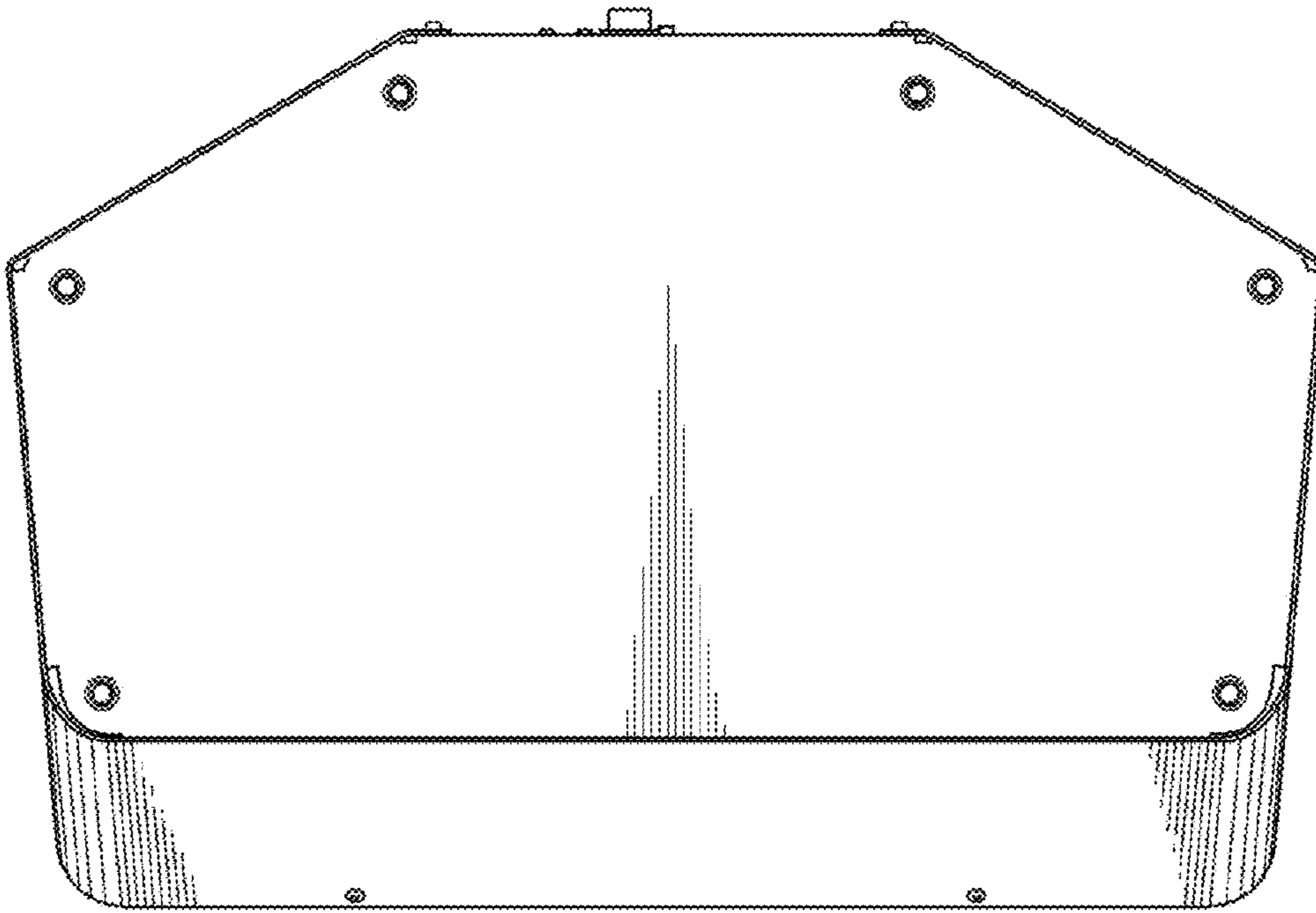


FIG. 7

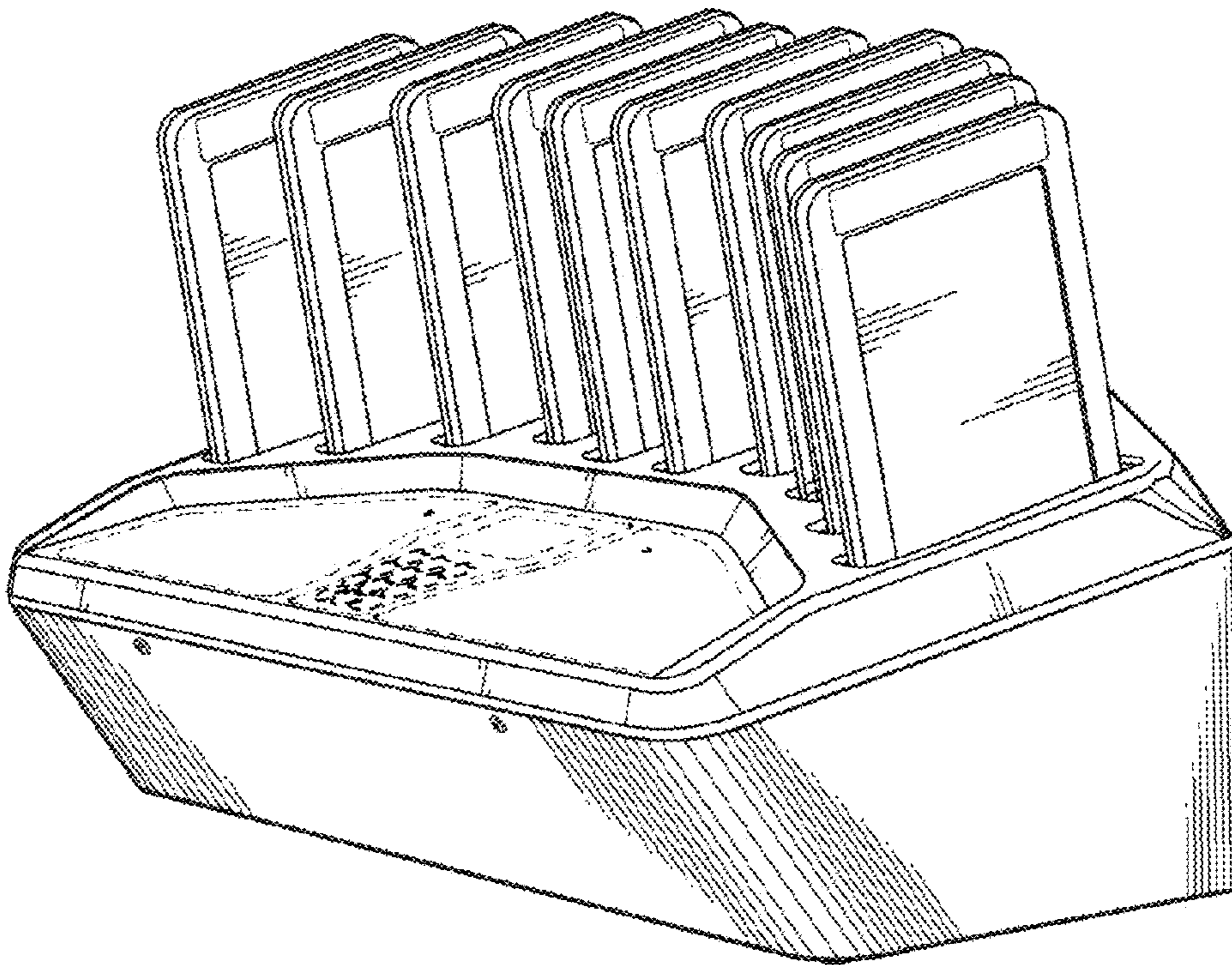


FIG. 8

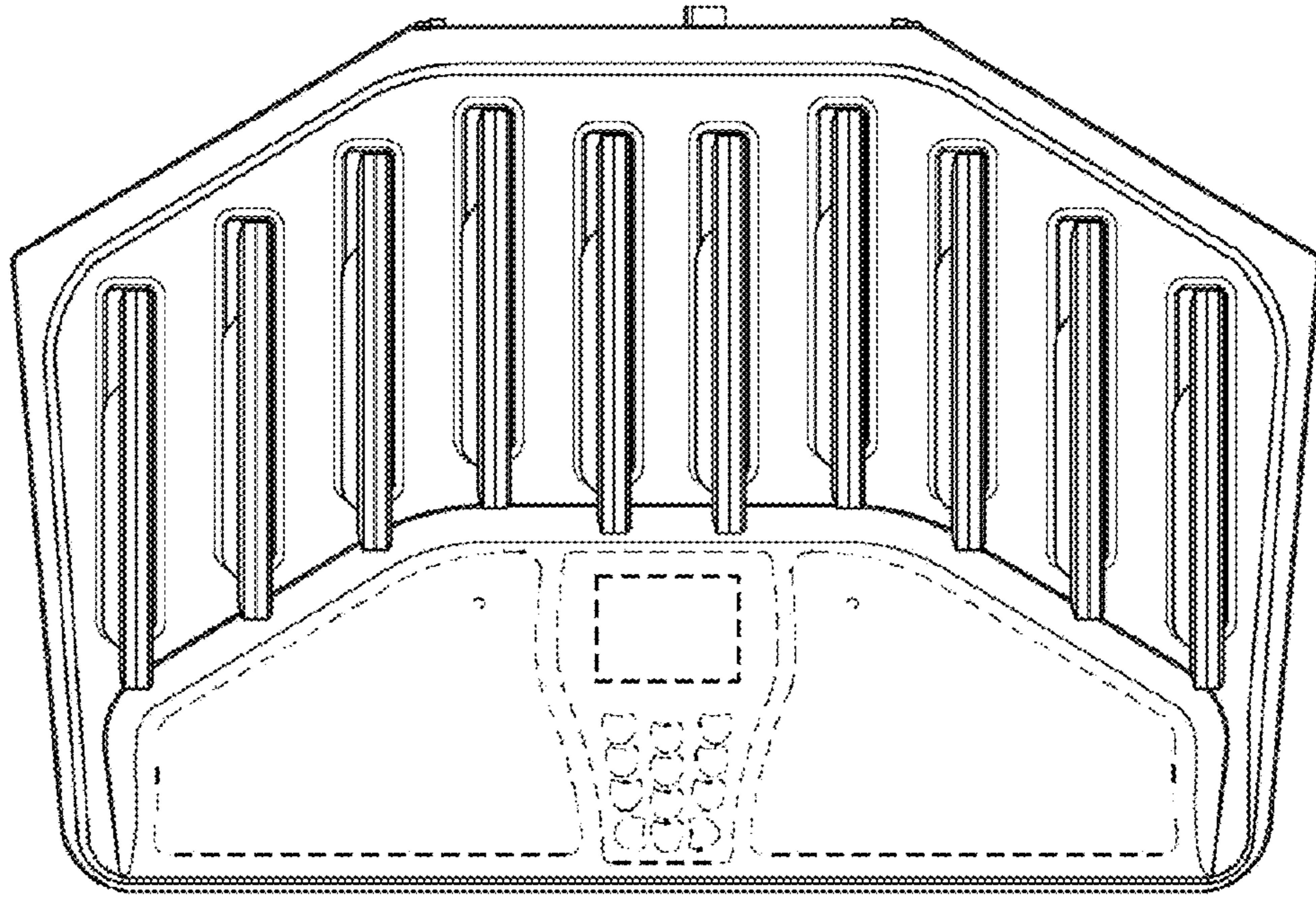


FIG. 9

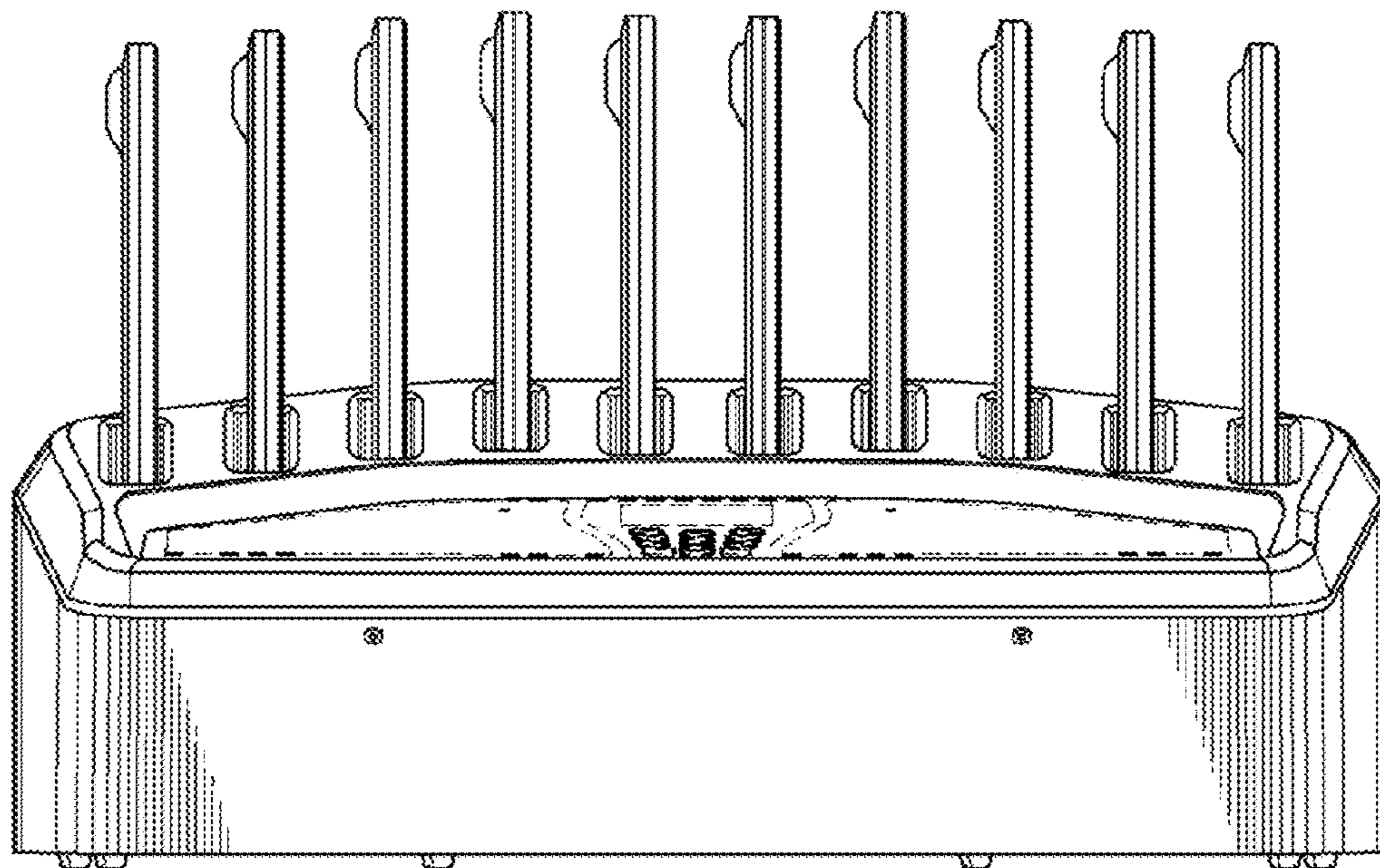


FIG. 10