



US00D736702S

(12) **United States Design Patent**  
**Ovadia**

(10) **Patent No.:** **US D736,702 S**

(45) **Date of Patent:** **\*\* Aug. 18, 2015**

(54) **CHARGER FOR ELECTRONIC CIGARETTE**

(71) Applicant: **SIS Resources Ltd.**, Beit Shemesh (IL)

(72) Inventor: **Aaron Ovadia**, Beit Shemesh (IL)

(73) Assignee: **SIS RESOURCES LTD.**, Beit Shemesh (IL)

(\*\*) Term: **14 Years**

(21) Appl. No.: **29/465,625**

(22) Filed: **Aug. 29, 2013**

(51) **LOC (10) Cl.** ..... **13-02**

(52) **U.S. Cl.**  
USPC ..... **D13/108**; D27/194; D14/480.1

(58) **Field of Classification Search**  
USPC ..... D13/107–110, 118–119, 184, 199;  
D14/251, 253, 432, 434, 434.1,  
D14/480.1–480.7, 484.1; 320/107–115;  
D27/137, 186, 193, 194; 131/328–329;  
361/679.31, 679.33, 679.4, 752;  
711/100, 115

CPC ..... Y02E 60/12; Y02T 90/14; Y02T 90/122;  
Y02T 90/128; Y02T 90/163; H02J 7/025;  
H02J 7/0042; H02J 7/0044; H02J 7/0045;  
H02J 7/0003; H01F 38/14; H01R 13/6675;  
H01M 2/1022; H01M 2/1055; H01M 10/44;  
H01M 10/46; H01M 10/425; B60L 11/182;  
A24F 47/008; G06K 19/07732; H05K 5/0278  
See application file for complete search history.

(56) **References Cited**

**U.S. PATENT DOCUMENTS**

6,435,409 B1 \* 8/2002 Hu ..... 235/441  
6,522,534 B1 \* 2/2003 Wu ..... 361/679.4  
D489,688 S \* 5/2004 Jiang ..... D14/435.1  
D491,144 S \* 6/2004 Jiang ..... D14/435.1  
7,301,596 B1 \* 11/2007 Morganstern et al. .... 349/131

D569,375 S \* 5/2008 Yu et al. .... D14/385  
D574,822 S \* 8/2008 Bhavnani ..... D14/480.3  
D589,455 S \* 3/2009 Wu et al. .... D13/147  
D601,093 S \* 9/2009 Wu et al. .... D13/147  
D611,944 S \* 3/2010 Kujawski et al. .... D14/435.1  
D625,730 S \* 10/2010 Cacioppo et al. .... D14/435.1  
D631,884 S \* 2/2011 Klein et al. .... D14/435.1  
D669,899 S \* 10/2012 Cheng ..... D14/435.1  
D673,164 S \* 12/2012 Lin et al. .... D14/480.5  
D678,841 S \* 3/2013 Choi et al. .... D13/147  
D679,248 S \* 4/2013 Choi et al. .... D13/147  
D686,987 S \* 7/2013 Vanstone et al. .... D13/108  
2007/0015407 A1 \* 1/2007 Loftus ..... 439/607  
2007/0047359 A1 \* 3/2007 He et al. .... 365/207  
2007/0229025 A1 \* 10/2007 Tsai et al. .... 320/111  
2008/0133832 A1 \* 6/2008 Bhavnani ..... 711/115  
2012/0106412 A1 \* 5/2012 Hsu ..... 370/310  
2013/0308304 A1 \* 11/2013 Tuchrelo et al. .... 362/157  
2014/0170903 A1 \* 6/2014 Tuchrelo et al. .... 439/620.21

\* cited by examiner

*Primary Examiner* — Rosemary K Tarcza  
(74) *Attorney, Agent, or Firm* — Harness, Dickey & Pierce

(57) **CLAIM**

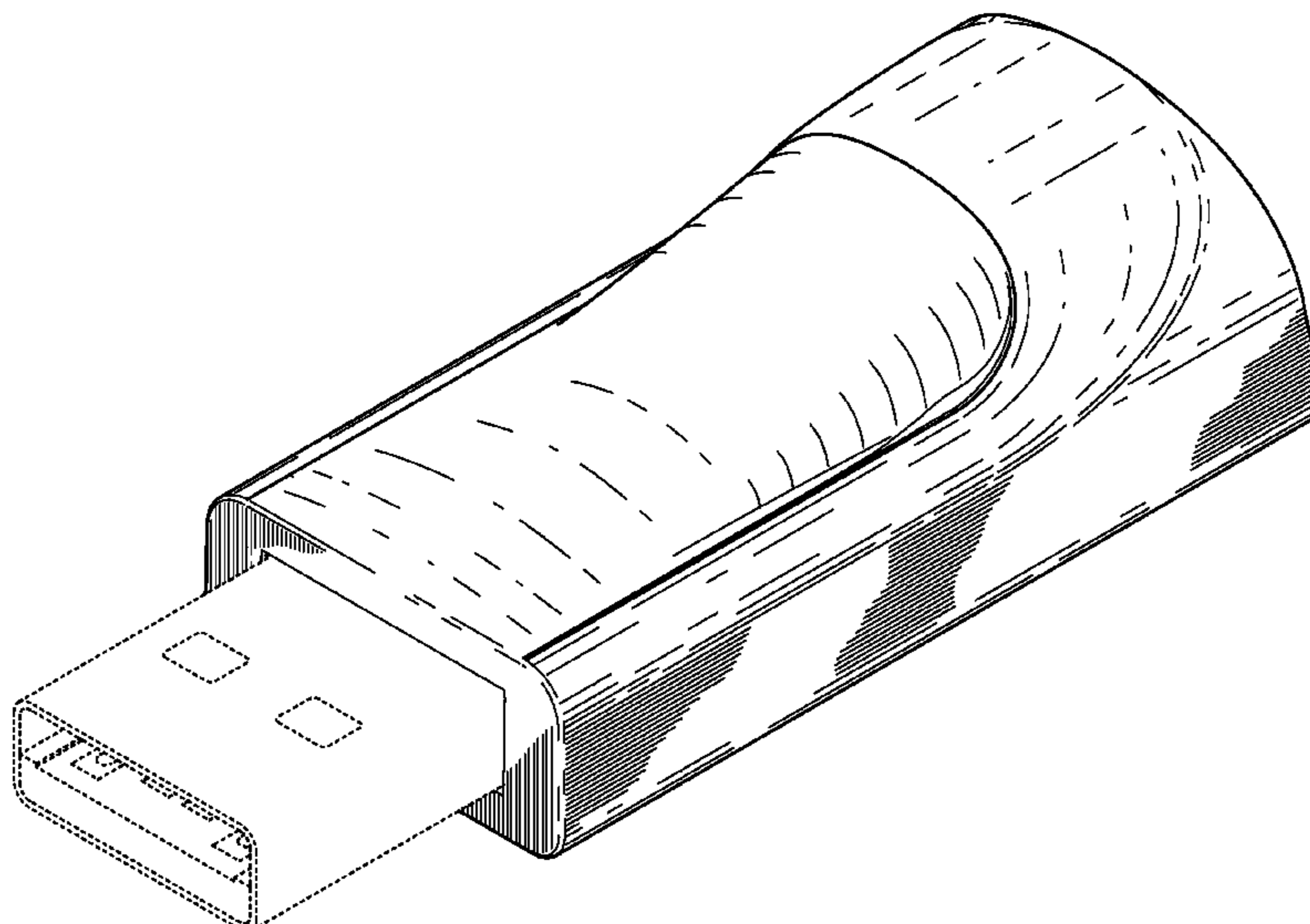
I claim the ornamental design for a charger for electronic cigarette, as shown and described.

**DESCRIPTION**

FIG. 1 is a front elevation view of a charger for electronic cigarette of the present invention;  
FIG. 2 is a back elevation view thereof;  
FIG. 3 is a side elevation view thereof;  
FIG. 4 is a top plan view thereof;  
FIG. 5 is a bottom plan view thereof; and,  
FIG. 6 is a top perspective view thereof.

The ornamental design which is claimed is shown in solid lines in the drawings. The broken lines showing the charging ports in FIGS. 1-6 of the drawings are included for the purpose of illustrating environmental structure and form no part of the claimed design.

**1 Claim, 5 Drawing Sheets**



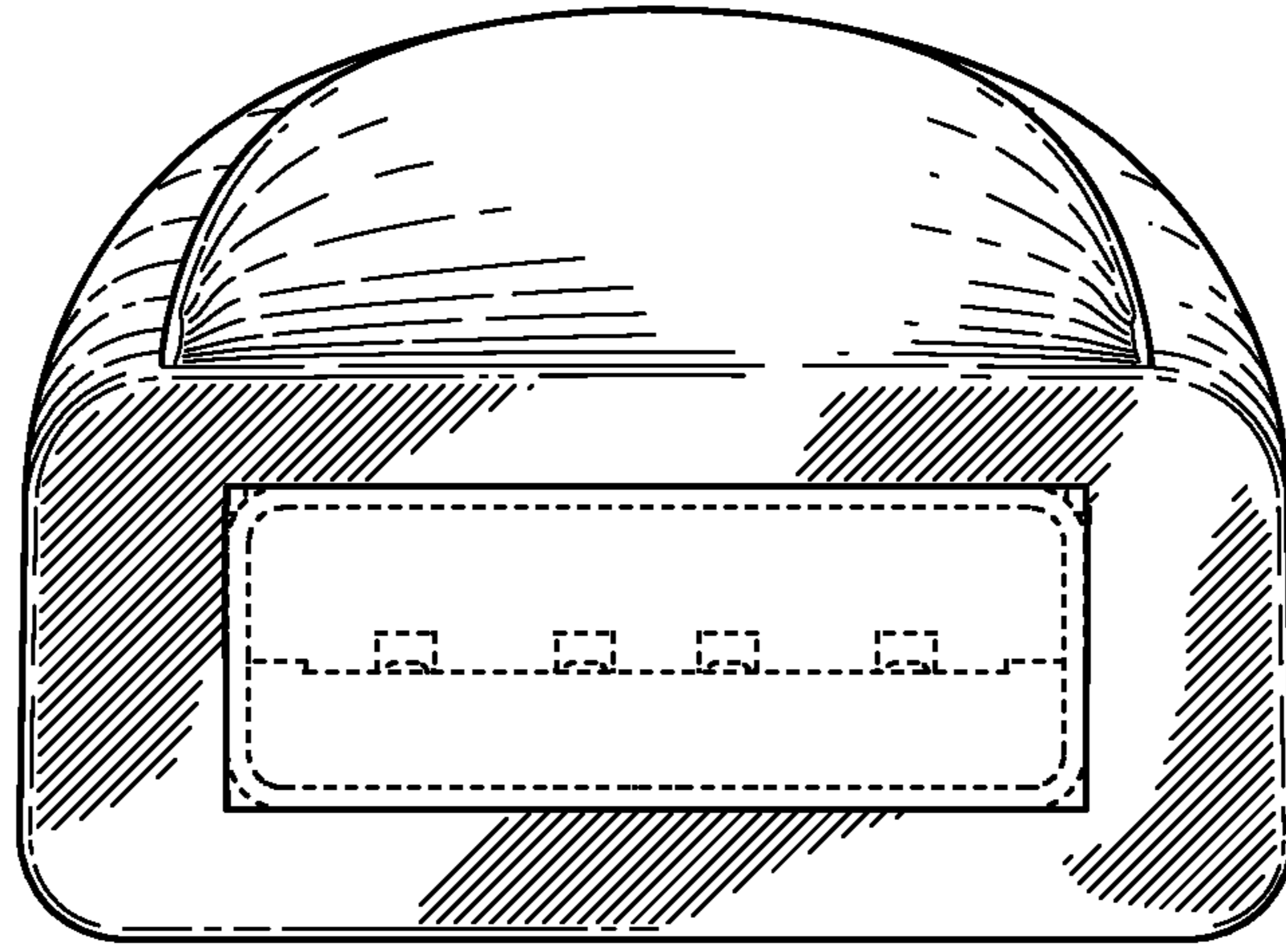


Fig. 1

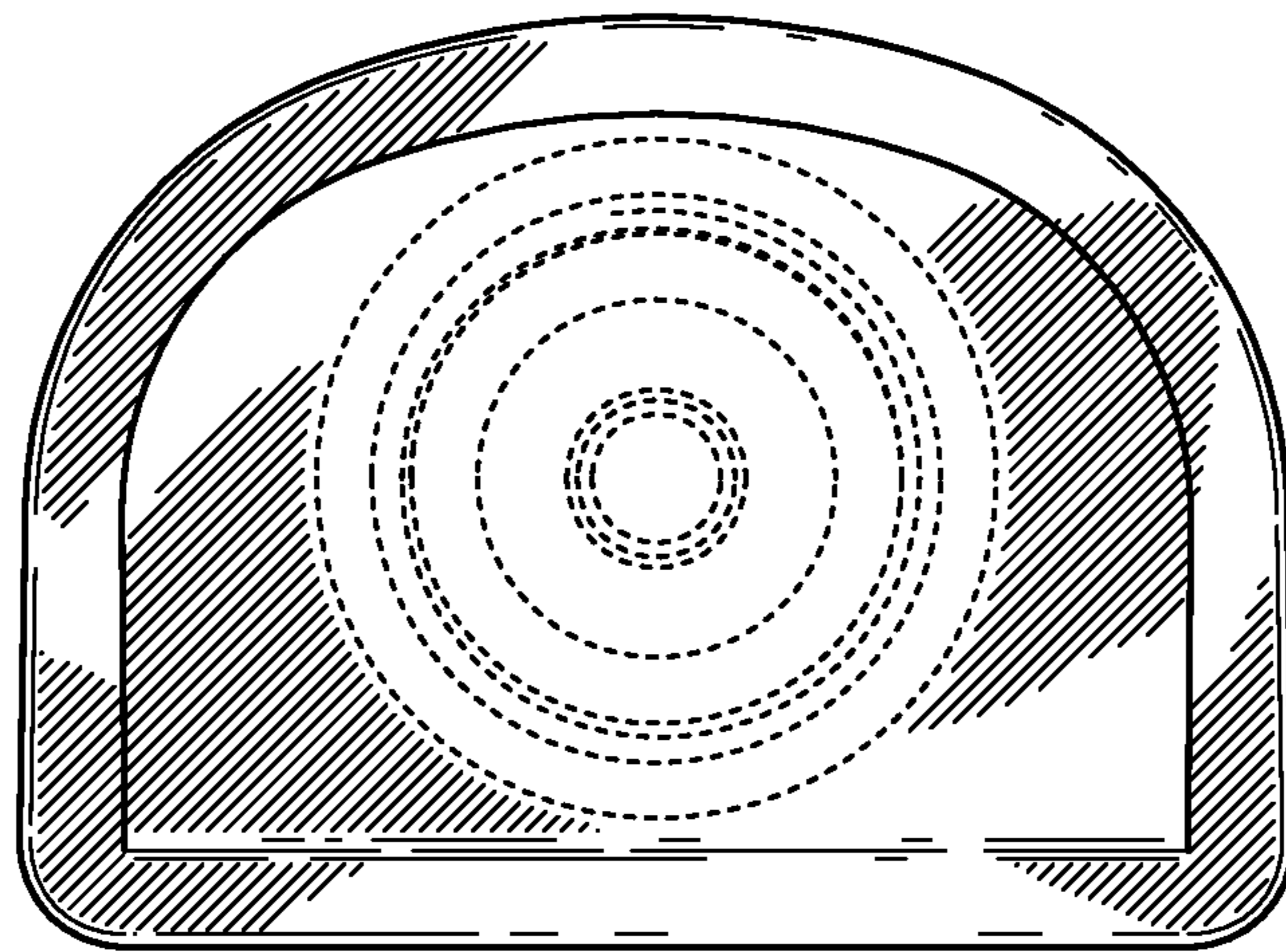


Fig. 2

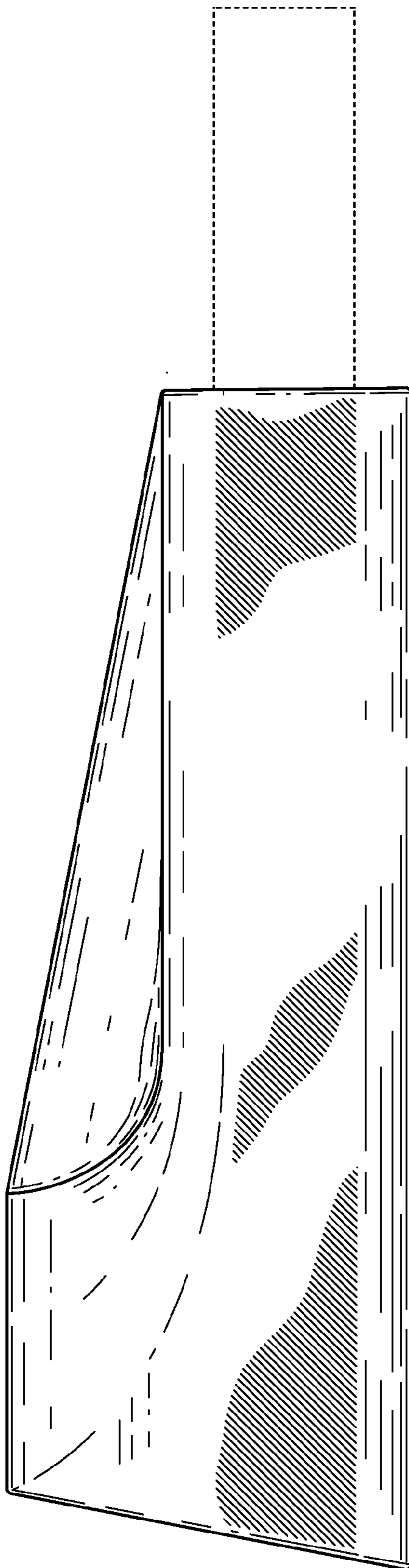


Fig. 3

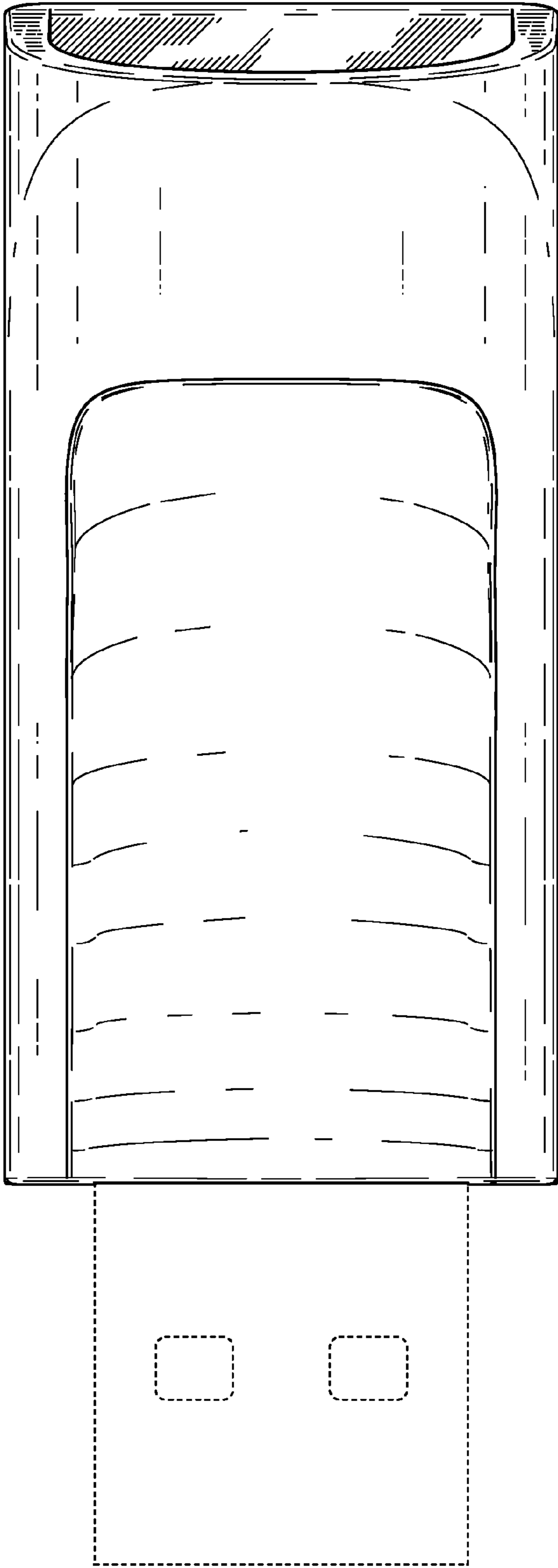


Fig. 4

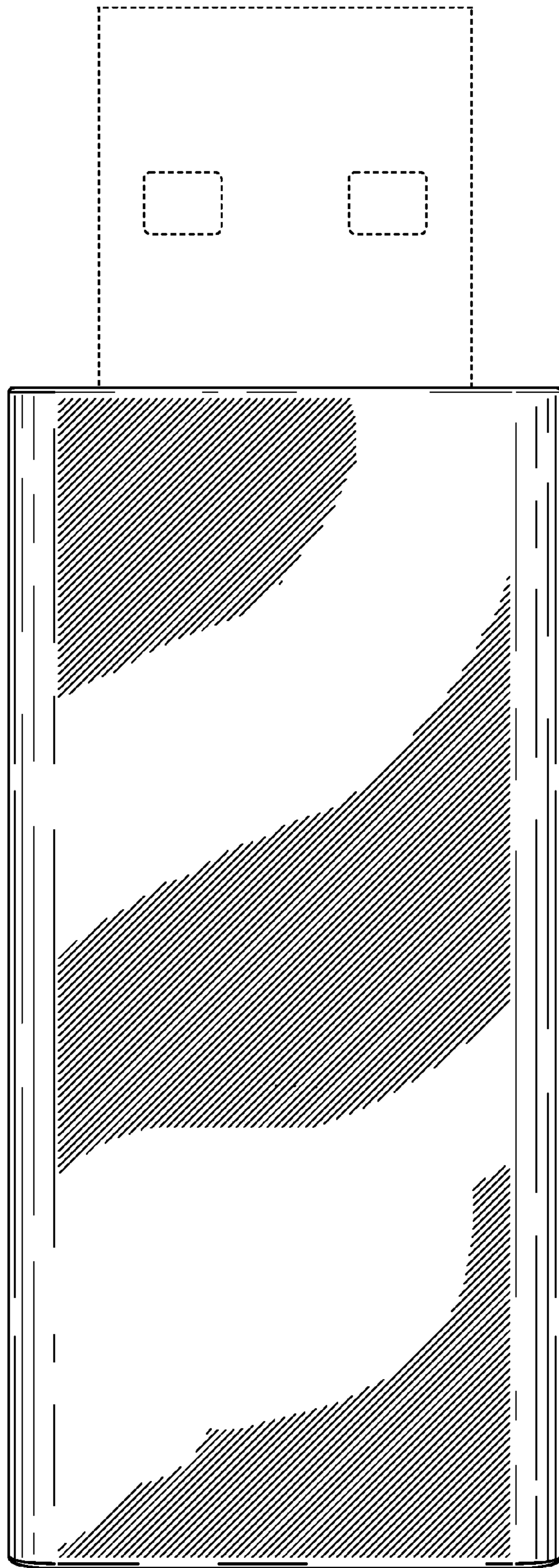


Fig. 5

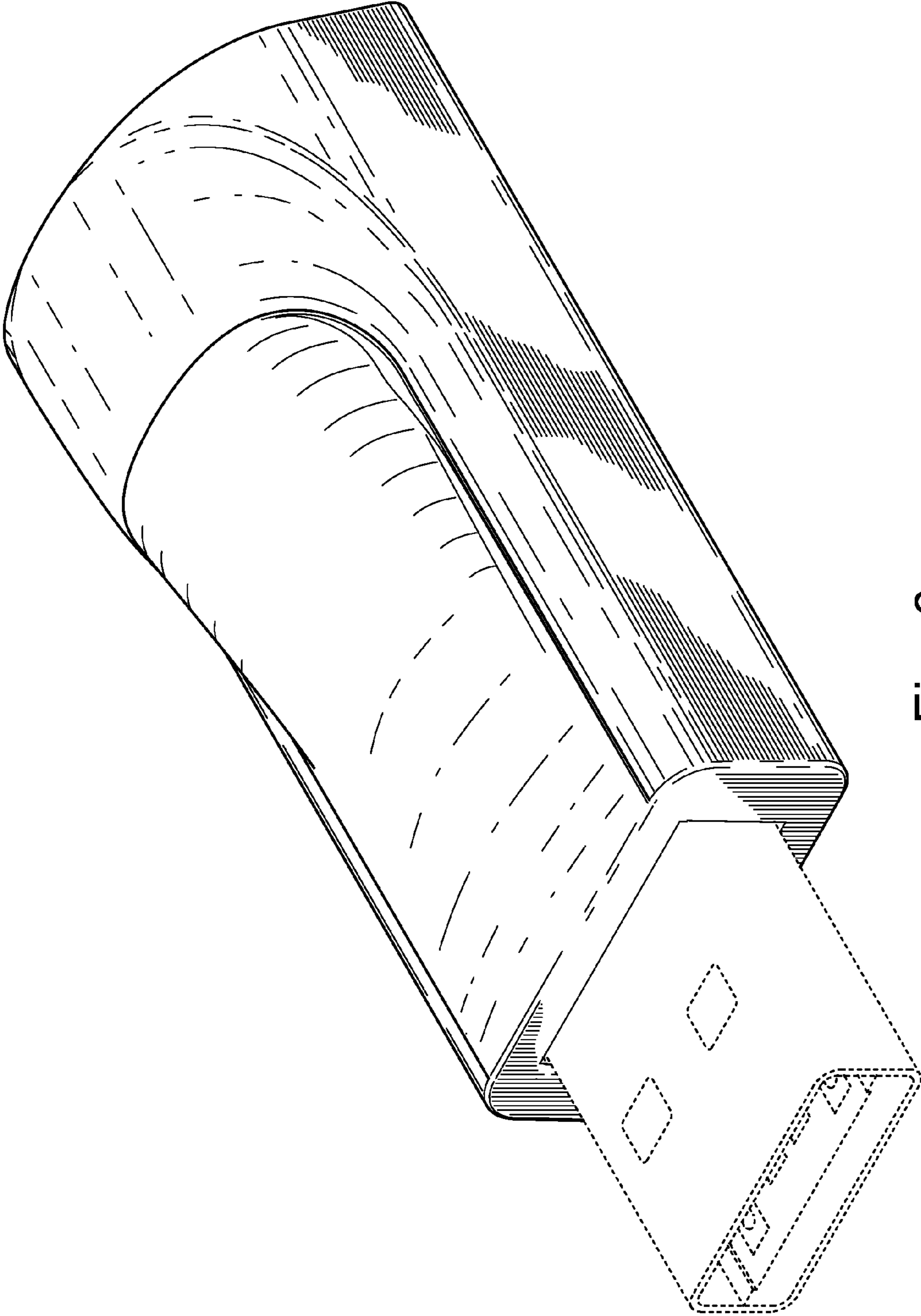


Fig. 6