



US00D736694S

(12) **United States Design Patent**
Jacobs

(10) **Patent No.:** **US D736,694 S**

(45) **Date of Patent:** **** Aug. 18, 2015**

(54) **TIRE TREAD**

(71) Applicant: **Jeremy J. Jacobs**, Findlay, OH (US)

(72) Inventor: **Jeremy J. Jacobs**, Findlay, OH (US)

(73) Assignee: **COOPER TIRE & RUBBER COMPANY**, Findlay, OH (US)

(**) Term: **14 Years**

(21) Appl. No.: **29/455,164**

(22) Filed: **May 17, 2013**

(51) **LOC (10) Cl.** **12-15**

(52) **U.S. Cl.**
USPC **D12/594**

(58) **Field of Classification Search**
USPC D12/533-567; 152/209.1-209.2, 455,
152/158, 192
CPC B60C 1/00

See application file for complete search history.

(56) **References Cited**

U.S. PATENT DOCUMENTS

D569,789 S *	5/2008	Park	D12/579
D597,023 S *	7/2009	Park	D12/594
D651,165 S *	12/2011	Grote	D12/599
D666,967 S *	9/2012	Sareen	D12/594
D669,843 S *	10/2012	Grote	D12/600
D725,030 S *	3/2015	Raatikainen et al.	D12/588

* cited by examiner

Primary Examiner — George D Kirschbaum

(74) *Attorney, Agent, or Firm* — Fay Sharpe LLP

(57) **CLAIM**

The ornamental design for a tire tread, as shown and described.

DESCRIPTION

FIG. 1 is a perspective view of a full tire including the tire tread of the present application;

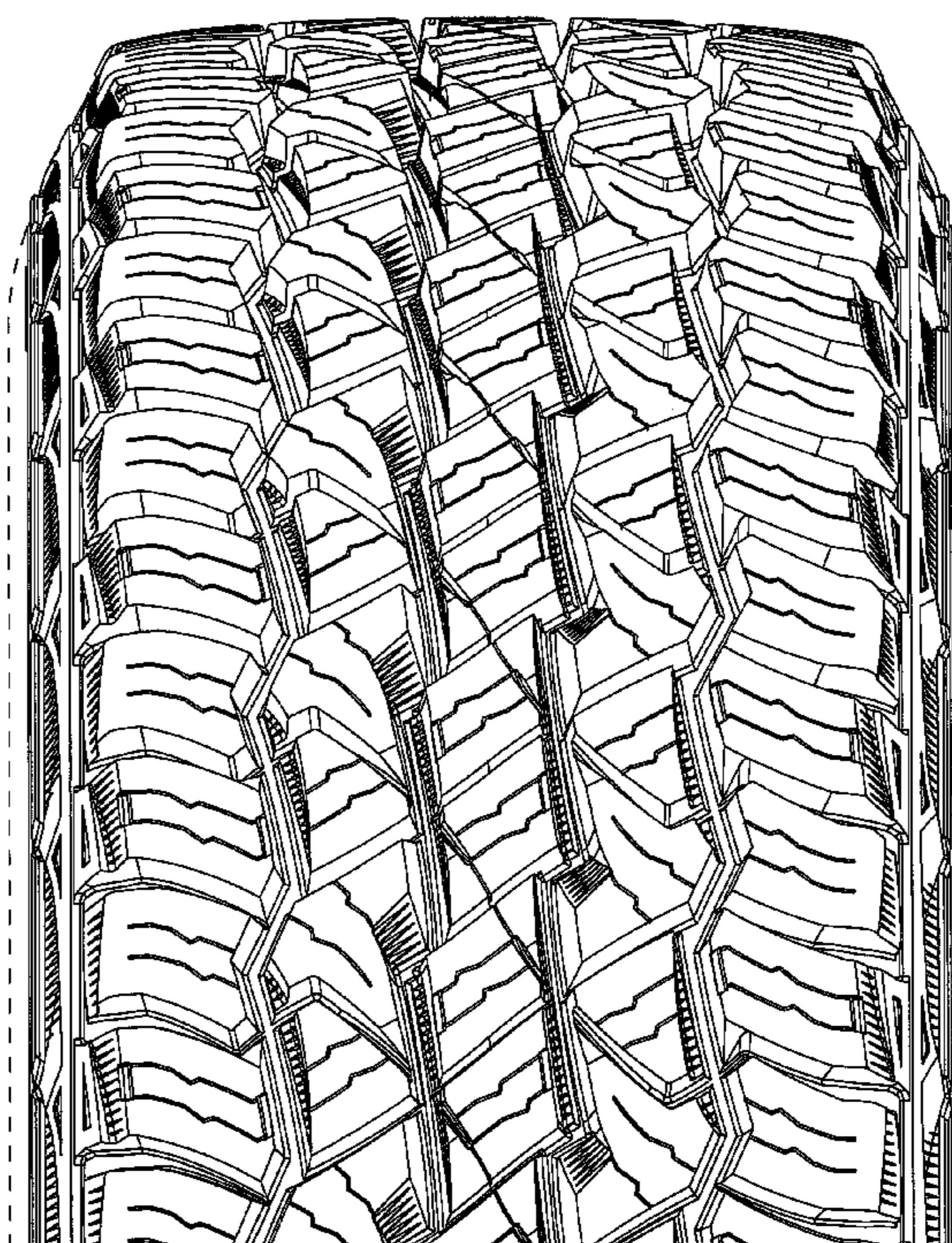
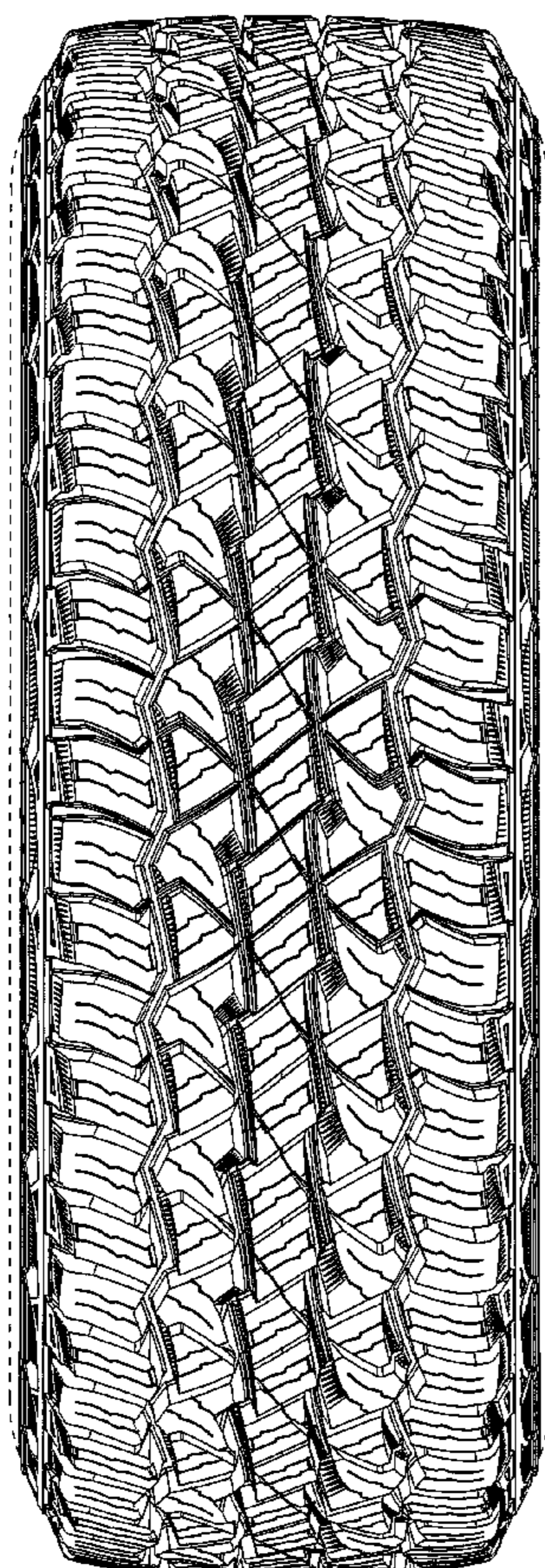
FIG. 2 is an enlarged partial side view thereof;

FIG. 3 is a front view thereof; and,

FIG. 4 is an enlarged partial front view thereof.

The broken line showing of the sidewall, inner bead, and the peripheral boundary between the tire tread and the sidewall is included for the purpose of illustrating environment and forms no part of the claim.

1 Claim, 4 Drawing Sheets



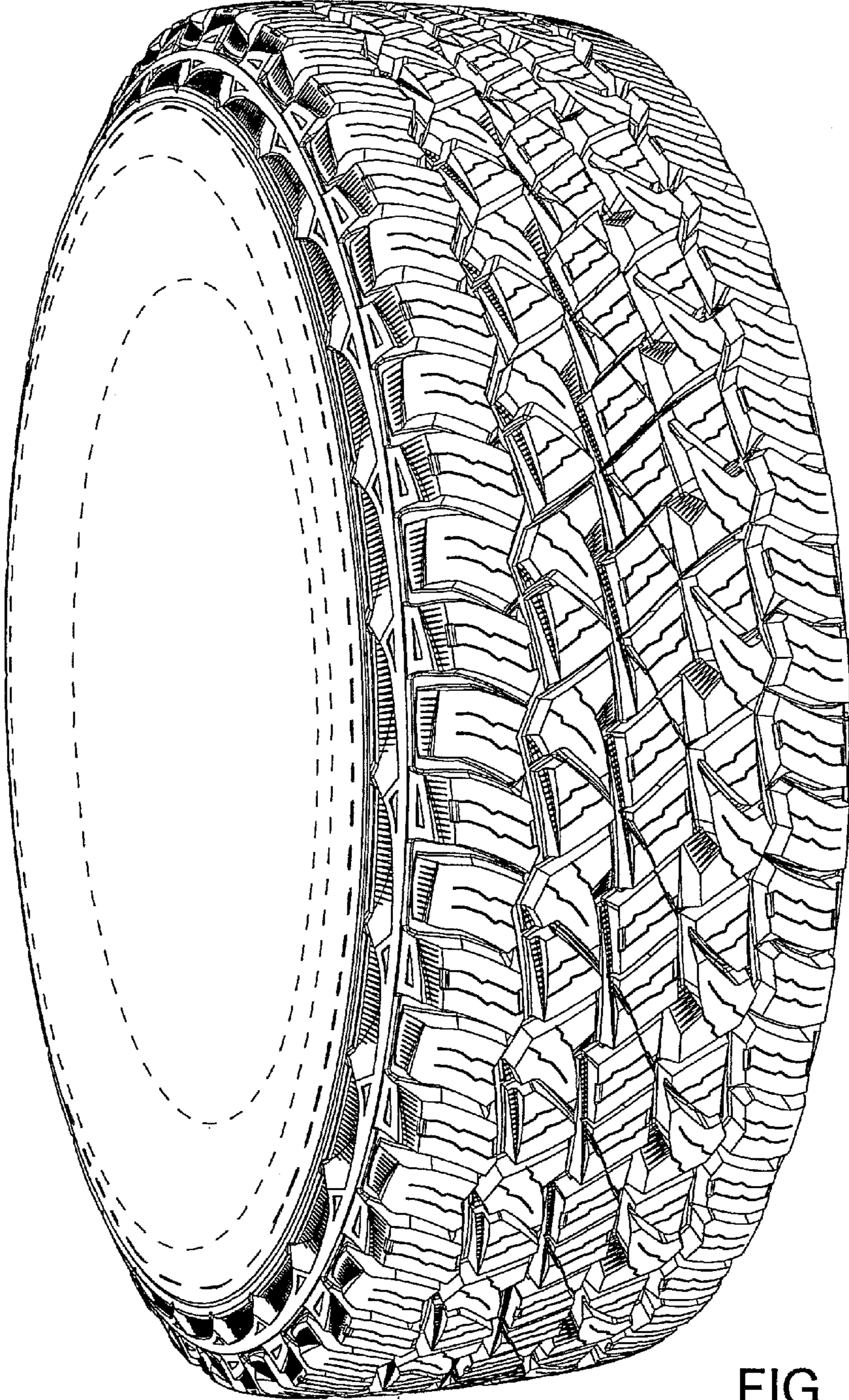


FIG. 1

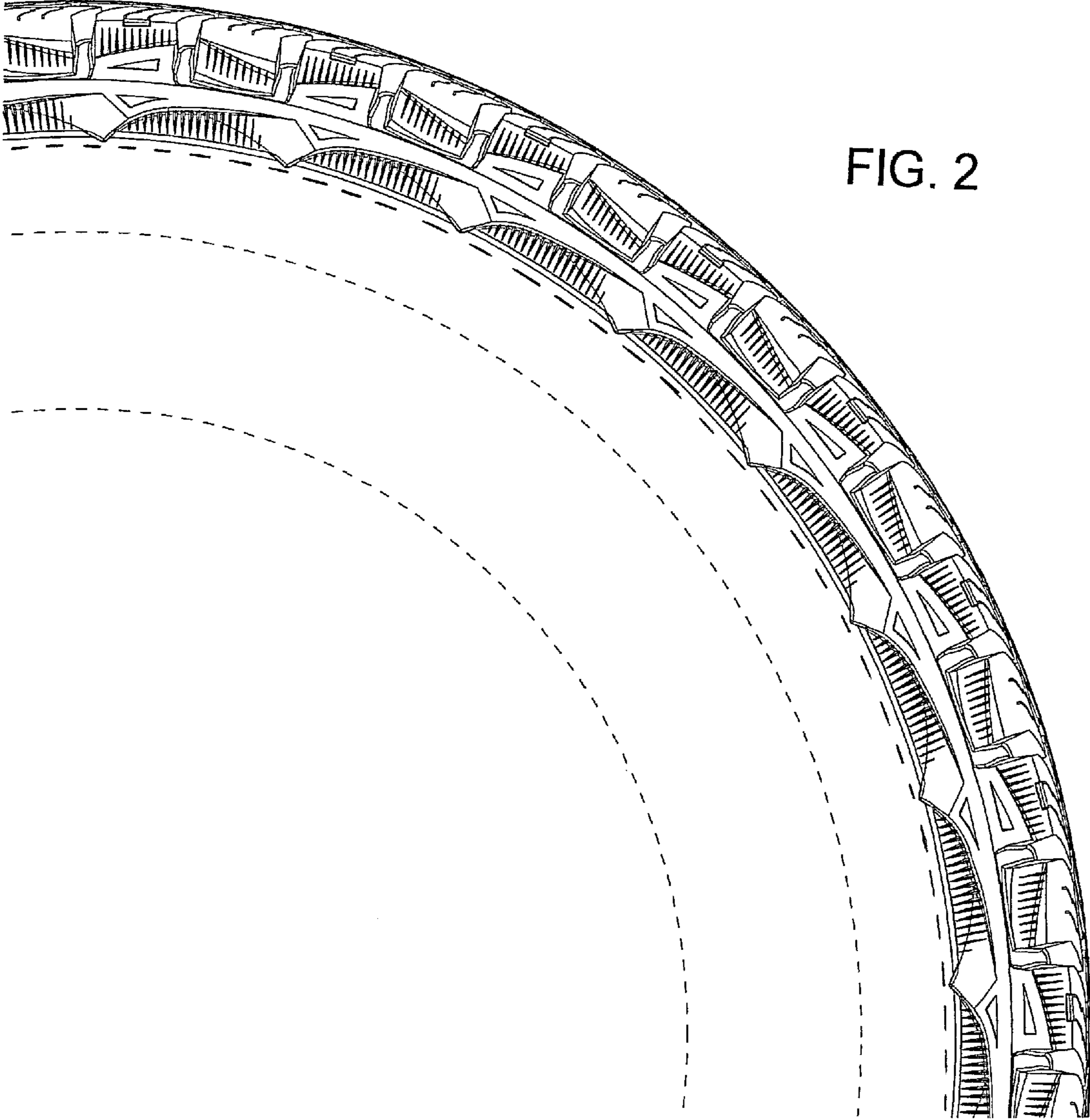


FIG. 2

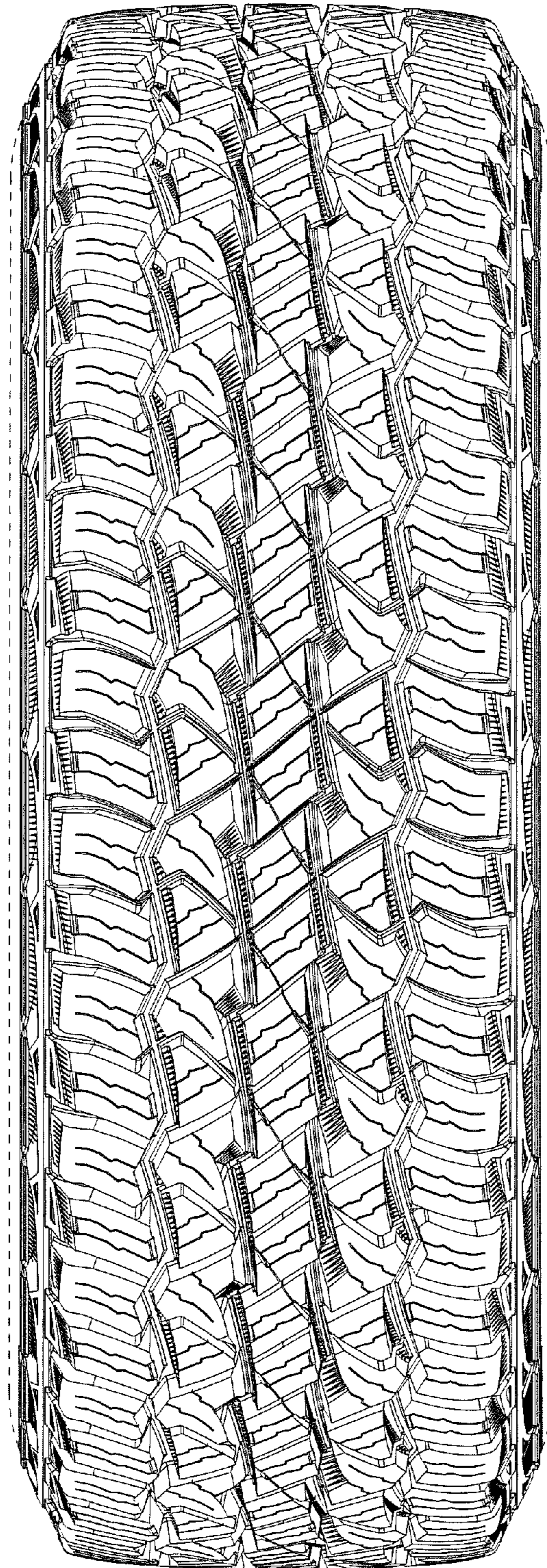


FIG. 3

FIG. 4

