



US00D736679S

(12) **United States Design Patent**
Bluemel

(10) **Patent No.:** **US D736,679 S**
(45) **Date of Patent:** **** Aug. 18, 2015**

(54) **SINGLE ARM FORK INCLUDING AN ELECTRIC MOTOR AND AN ACCUMULATOR FOR A BICYCLE**

FOREIGN PATENT DOCUMENTS

DE 20 2012 005 975 U1 7/2012
DE 402012003903-0001 9/2012

(Continued)

Primary Examiner — Robert M Spear
Assistant Examiner — Ryan Harvey

(74) *Attorney, Agent, or Firm* — J-Tek Law PLLC; Jeffrey D. Tekanic; Scott T. Wakeman

(71) Applicant: **Matthias Bluemel**, Glonn (DE)

(72) Inventor: **Matthias Bluemel**, Glonn (DE)

(**) Term: **14 Years**

(21) Appl. No.: **29/458,407**

(22) Filed: **Jun. 19, 2013**

(51) **LOC (10) Cl.** **12-11**

(52) **U.S. Cl.**
USPC **D12/118**

(58) **Field of Classification Search**
USPC 280/284, 281.1, 274, 288, 285, 283,
280/288.3, 282, 279, 220, 221, 288.2, 287,
280/278, 275, 288.4, 124.134, 276, 240,
280/256, 286, 265, 268, 271, 257, 210;
29/434, 428, 897.2; 474/116; D12/111,
D12/108, 124, 169, 113, 112; 156/173, 294;
224/425, 426, 419; 301/124.2;
180/227, 68.5, 220; D21/432, 419,
D21/663, 435, 662, 538; 74/594.3, 527;
16/44; 220/737
CPC Y10T 29/49826; Y10T 29/49622;
Y10T 29/49805; B62K 11/04; B62K 25/283;
B62K 25/286; B62K 19/16; B62K 19/30;
B62K 19/06; B62K 25/08; B62K 3/04;
B62K 3/02; B62K 25/04; B62K 2204/00;
F02B 61/02

See application file for complete search history.

(56) **References Cited**

U.S. PATENT DOCUMENTS

5,193,833 A * 3/1993 Reisinger 280/276
5,865,267 A * 2/1999 Mayer et al. 180/206.5
6,047,981 A * 4/2000 Burrows 280/276

(Continued)

(57) **CLAIM**

The ornamental design for a single arm fork including an electric motor and an accumulator for a bicycle, as shown and described.

DESCRIPTION

FIG. 1 is left side elevational view of a single arm fork including an electric motor and an accumulator for a bicycle according to the present invention.

FIG. 2 is a right side elevational view of the single arm fork including an electric motor and an accumulator for a bicycle of FIG. 1.

FIG. 3 is a front elevational view of the single arm fork including an electric motor and an accumulator for a bicycle of FIG. 1.

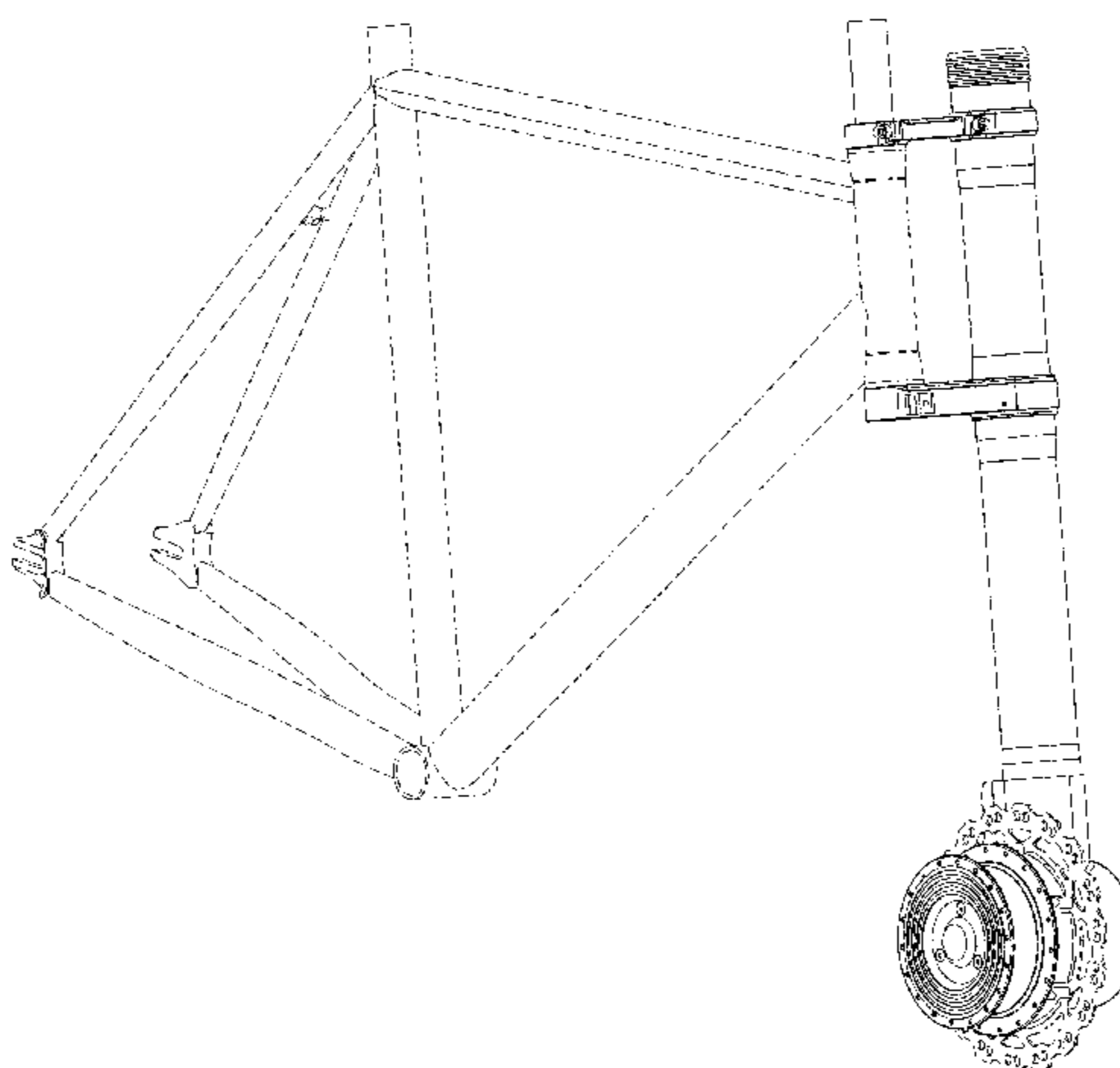
FIG. 4 is a rear elevational view of the single arm fork including an electric motor and an accumulator for a bicycle of FIG. 1.

FIG. 5 is a top plan view of the single arm fork including an electric motor and an accumulator for a bicycle of FIG. 1.

FIG. 6 is a bottom plan view of the single arm fork including an electric motor and an accumulator for a bicycle of FIG. 1; and,

FIG. 7 is a perspective view of the single arm fork including an electric motor and an accumulator for a bicycle of FIG. 1. The dashed lines illustrate environment that does not form a part of the present invention, and no claim is made to the material illustrated with dashed lines.

1 Claim, 7 Drawing Sheets



(56)

References Cited

U.S. PATENT DOCUMENTS

6,209,899 B1 * 4/2001 O'Neil 280/220
6,431,301 B1 * 8/2002 Forbes 180/185
6,520,297 B1 * 2/2003 Lumpkin et al. 188/26
6,619,678 B2 * 9/2003 van Ardenne 280/87.041
6,880,662 B2 * 4/2005 Noble et al. 180/219
6,880,897 B2 * 4/2005 Goss et al. 301/6.9
7,048,546 B2 * 5/2006 Endo 439/36
7,350,787 B2 * 4/2008 Voss 280/5.5
8,061,725 B1 * 11/2011 Hawkins 280/87.042
8,473,130 B2 * 6/2013 Brady et al. 701/22

2006/0131084 A1* 6/2006 Rupp 180/65.1
2011/0017539 A1* 1/2011 Pitt 180/180
2012/0228906 A1* 9/2012 McAndrews et al. 297/215.13
2013/0319781 A1* 12/2013 Carolin 180/206.8
2014/0080661 A1* 3/2014 Paick et al. 477/3

FOREIGN PATENT DOCUMENTS

EM 002153585-0001 1/2013
EM 002153585-0002 1/2013
EM 002153585-0003 1/2013
EM 002153585-0004 1/2013

* cited by examiner

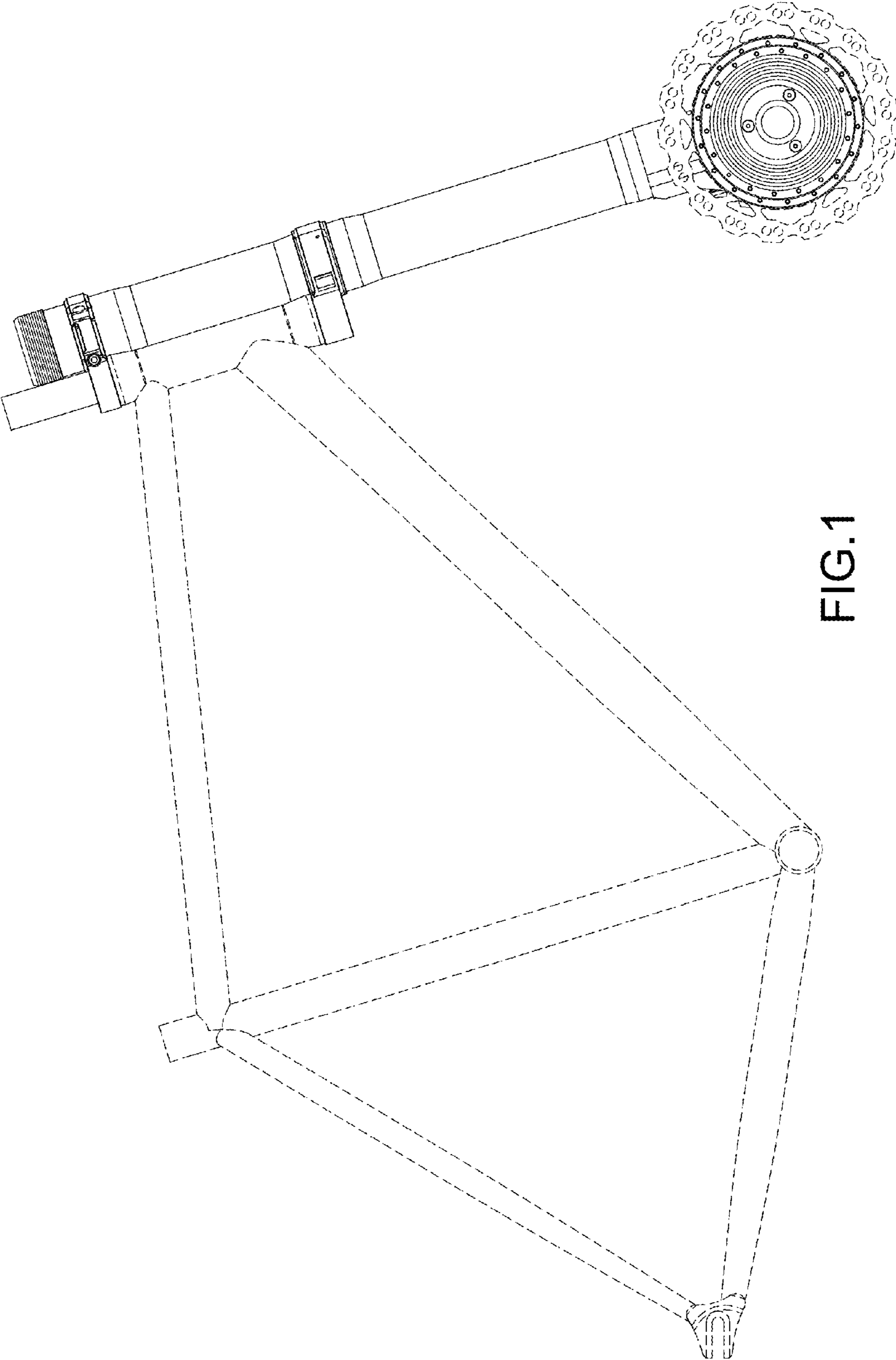


FIG.1

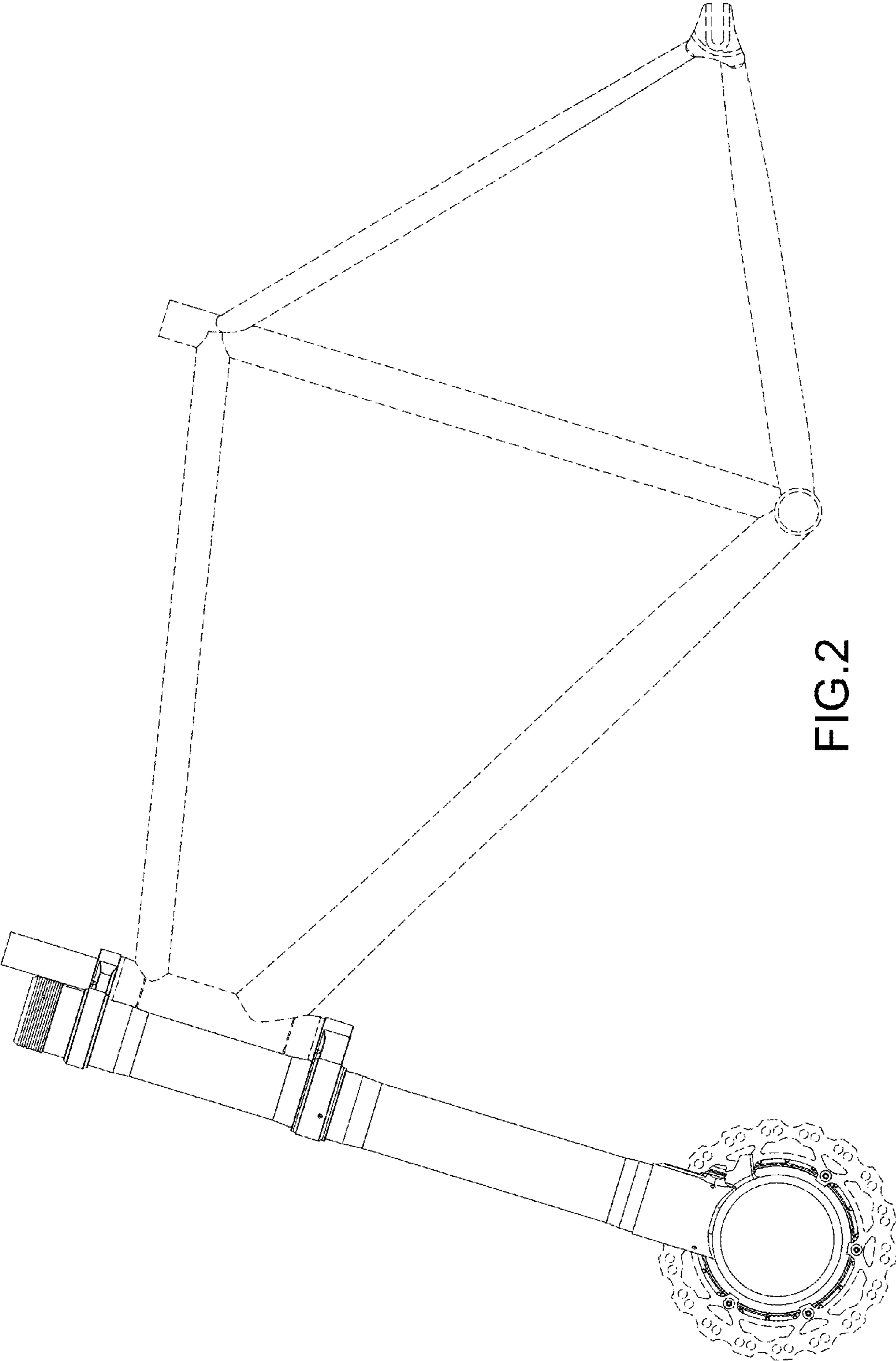


FIG.2

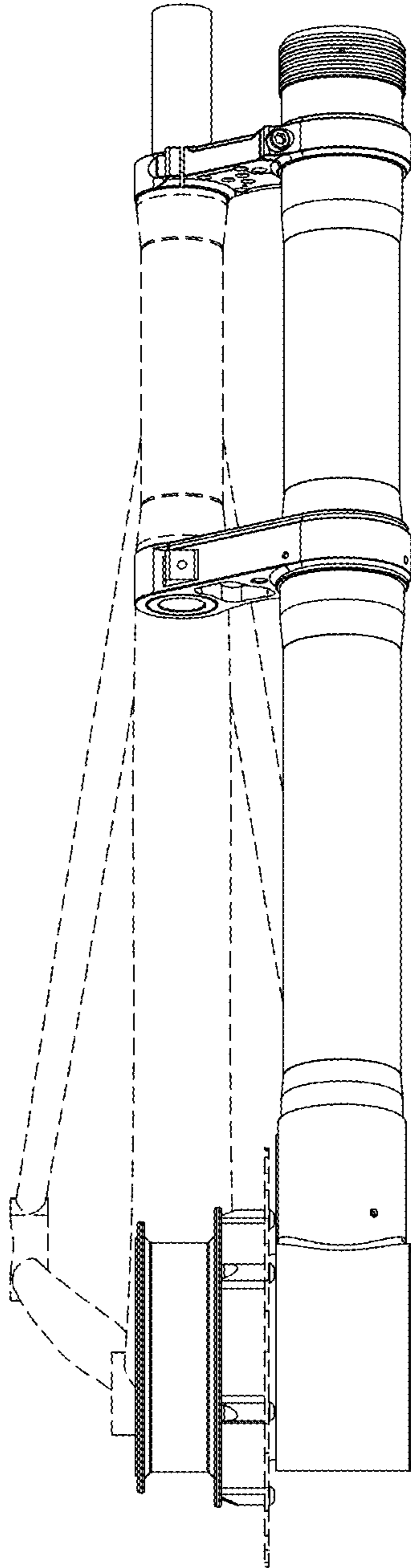


FIG.3

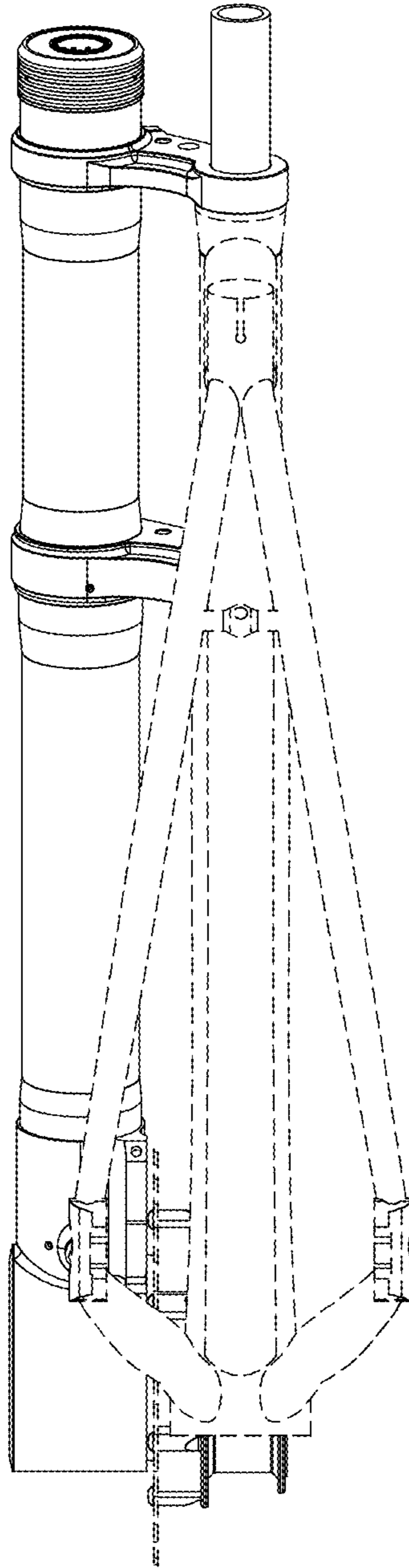


FIG.4

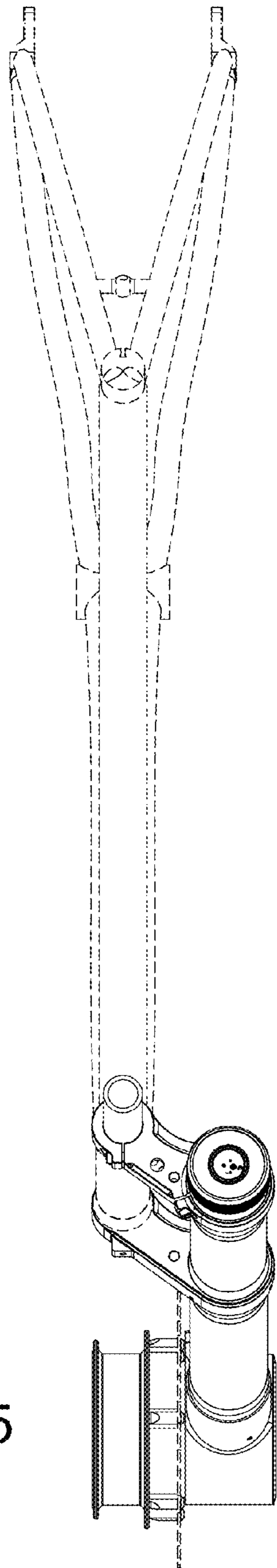


FIG.5

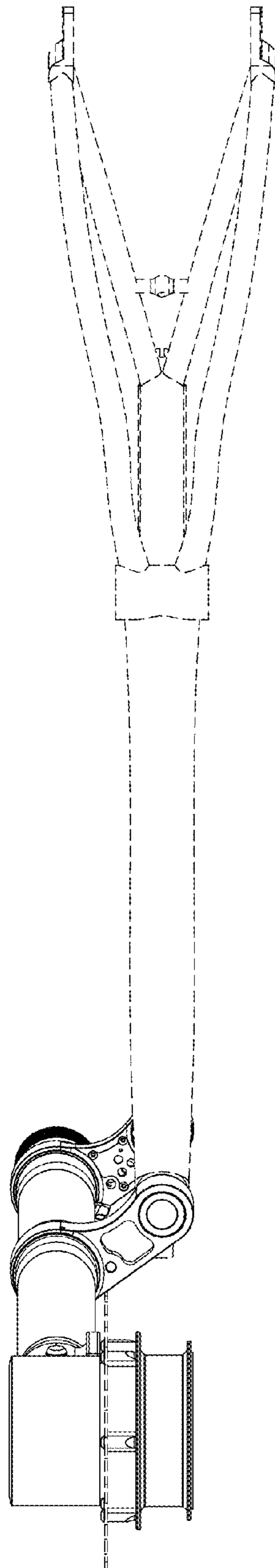


FIG.6

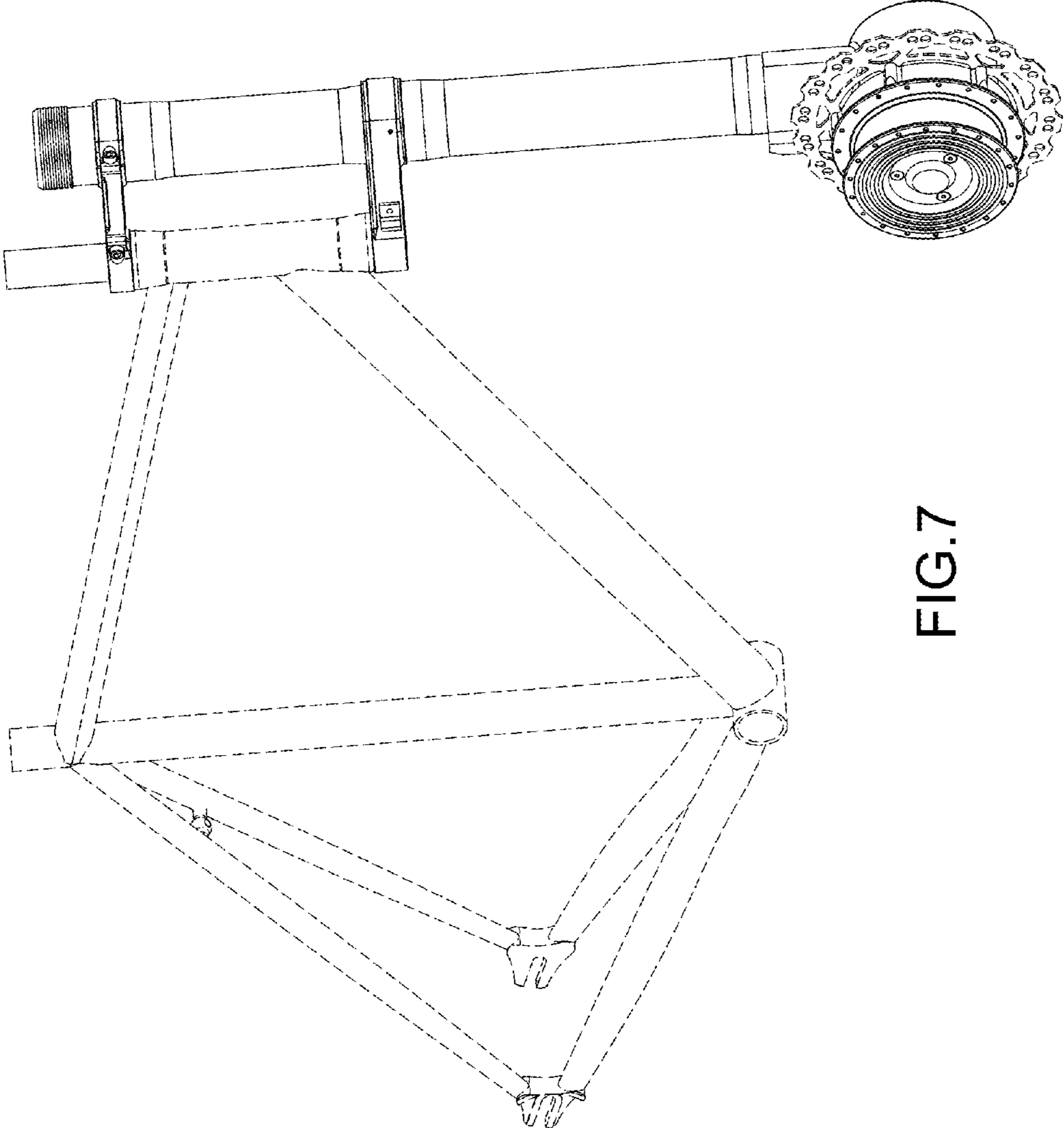


FIG.7