



US00D736678S

(12) **United States Design Patent**
Leyba

(10) **Patent No.:** **US D736,678 S**

(45) **Date of Patent:** **** Aug. 18, 2015**

(54) **BICYCLE ATTACHMENT**

(71) Applicant: **Benny S. Leyba**, Roswell, NM (US)

(72) Inventor: **Benny S. Leyba**, Roswell, NM (US)

(**) Term: **14 Years**

(21) Appl. No.: **29/442,976**

(22) Filed: **Jun. 25, 2013**

(51) **LOC (10) Cl.** **12-11**

(52) **U.S. Cl.**
USPC **D12/114**

(58) **Field of Classification Search**

USPC 280/7.14, 12.1; 180/185, 9.21, 9.26;
473/549, 463, 524, 553, 527, 138, 437;
434/236; 43/136, 137; 482/61
CPC A63B 49/08; A63B 59/0092; A63B 69/38;
A63B 59/0014; A63B 59/0029
See application file for complete search history.

(56) **References Cited**

U.S. PATENT DOCUMENTS

213,180	A	3/1879	Doane	
3,572,758	A	3/1971	Lee	
4,082,308	A	4/1978	Hug	
4,752,070	A *	6/1988	Hansen et al.	473/463
4,958,831	A	9/1990	Kim	
5,102,153	A *	4/1992	Rhode	280/7.14
5,630,290	A *	5/1997	Wade et al.	43/136
5,769,746	A *	6/1998	Siegel	473/524
5,916,067	A	6/1999	Morasse	
7,303,510	B2	12/2007	Gebhardt	
7,798,925	B2 *	9/2010	Brodmann	473/527
8,360,783	B2 *	1/2013	Lombard et al.	434/236
2004/0053751	A1 *	3/2004	Pizolato	482/61

2006/0009314	A1 *	1/2006	Bilsey	473/463
2013/0072330	A1 *	3/2013	Cohen et al.	473/549
2014/0171272	A1 *	6/2014	Hawkins et al.	482/61

* cited by examiner

Primary Examiner — Robert M Spear

Assistant Examiner — Ryan Harvey

(74) *Attorney, Agent, or Firm* — Paul R. Martin

(57) **CLAIM**

The ornamental design for a bicycle attachment, as shown and described.

DESCRIPTION

FIG. 1 is perspective view of the bicycle attachment of my new design showing the attachment in a down or operative position, in which it is positioned underneath the rear wheel of a bicycle and elevating the wheel off of the ground.

FIG. 2 is a perspective view of the bicycle attachment of my new design showing the attachment in an up, or non-operative position.

FIG. 3 is an enlarged perspective view of the bicycle attachment of my new design.

FIG. 4 is a top plan view thereof.

FIG. 5 is a bottom plan view thereof.

FIG. 6 is an elevational view of one side thereof.

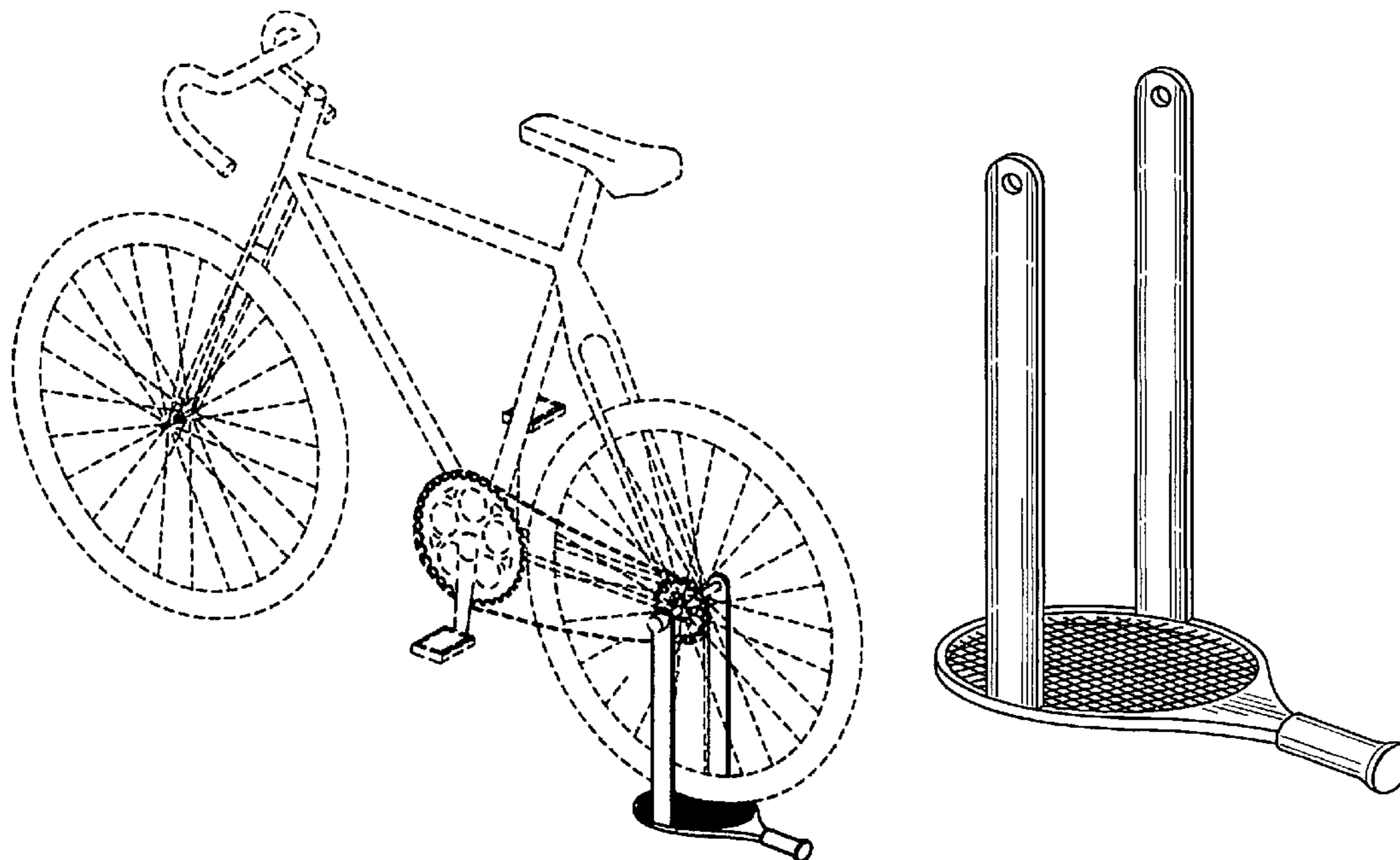
FIG. 7 is an elevational view of the opposite side thereof.

FIG. 8 is an elevational view of the right end of the attachment shown in FIG. 3; and,

FIG. 9 is an elevational view of the left end of the attachment shown in FIG. 3.

The broken line elements shown in FIGS. 1, and 2, depicting a bicycle, constitute unclaimed environmental elements, and are not a part of the claim.

1 Claim, 4 Drawing Sheets



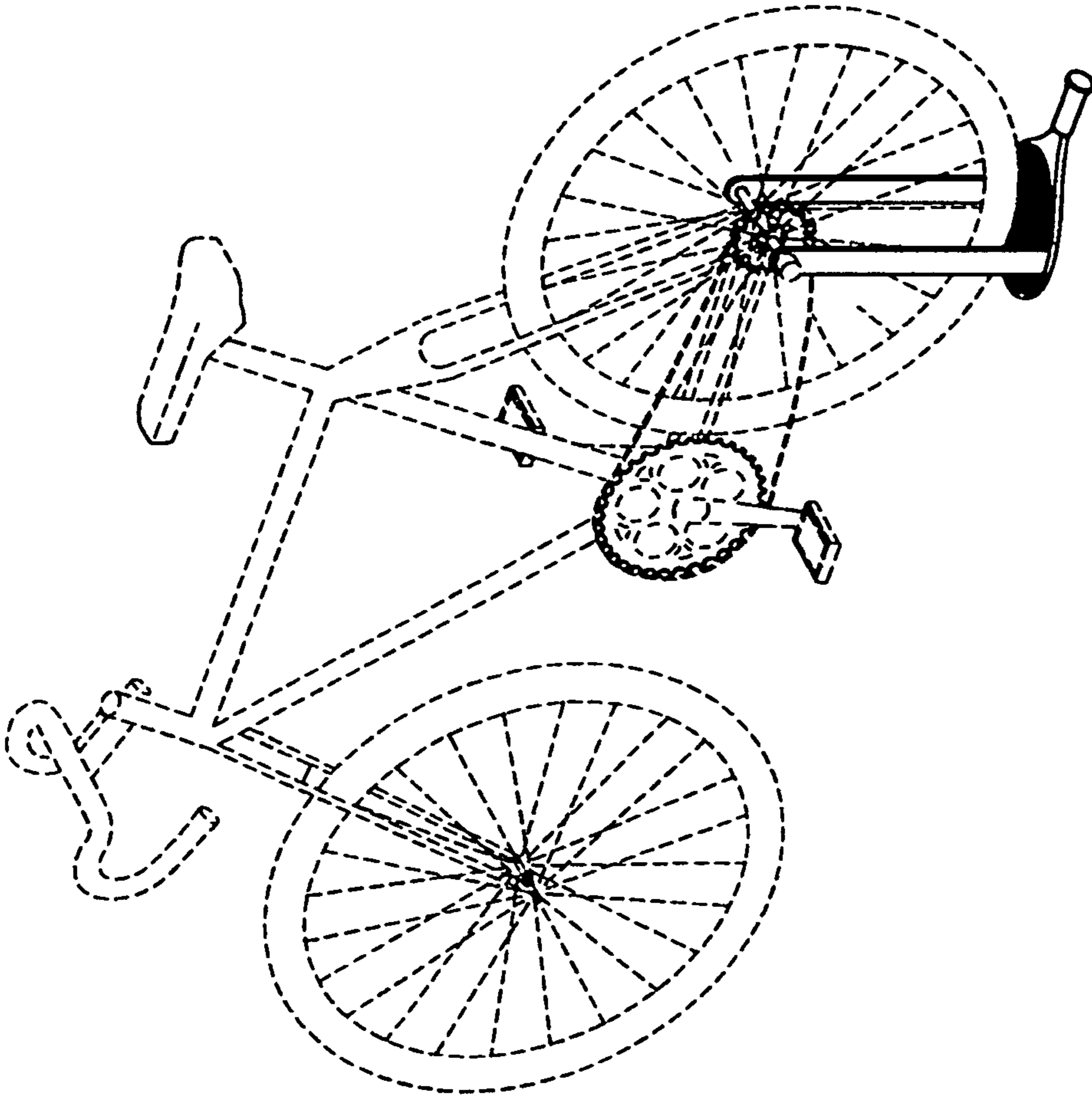


FIG. 1

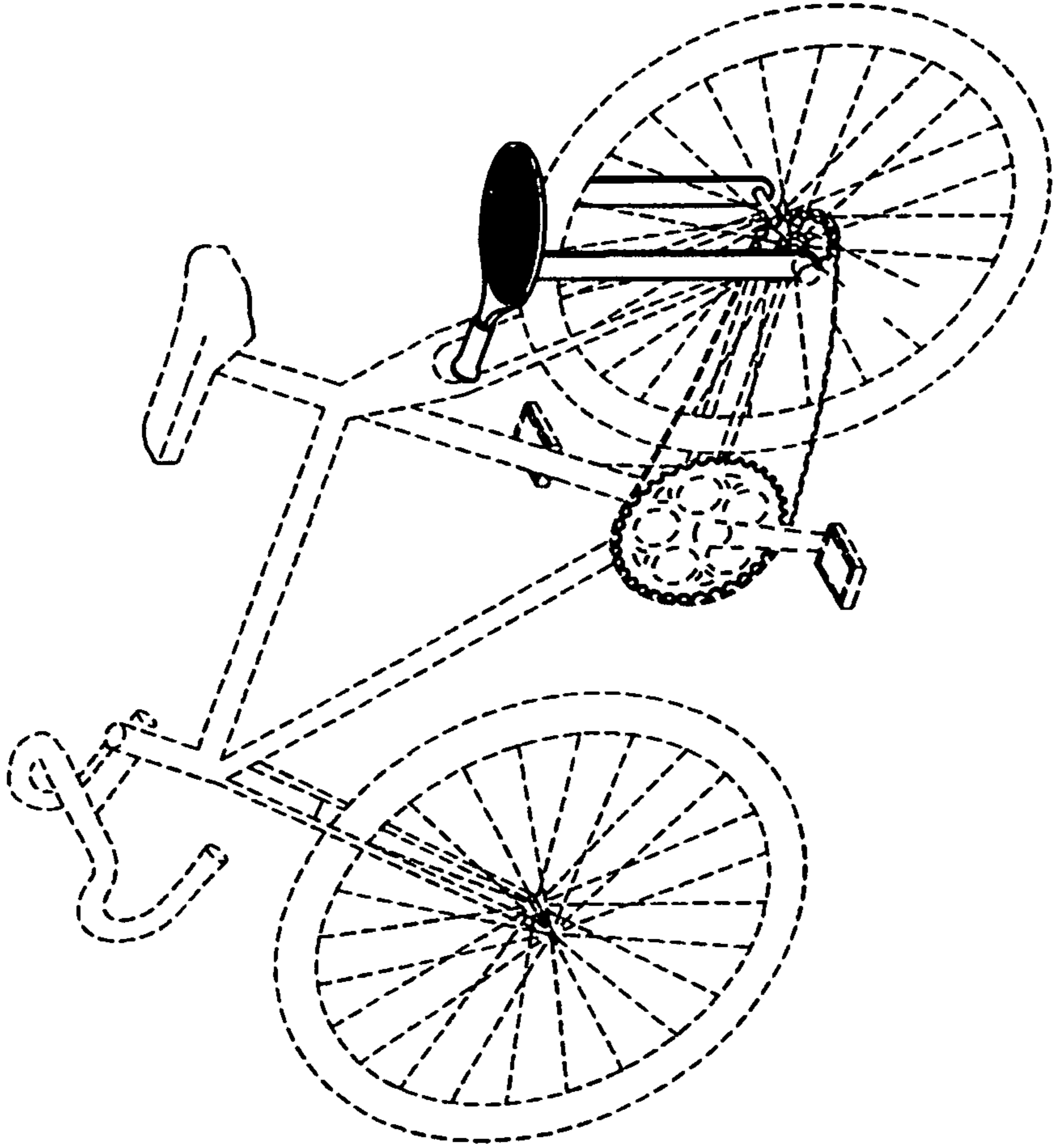


FIG. 2

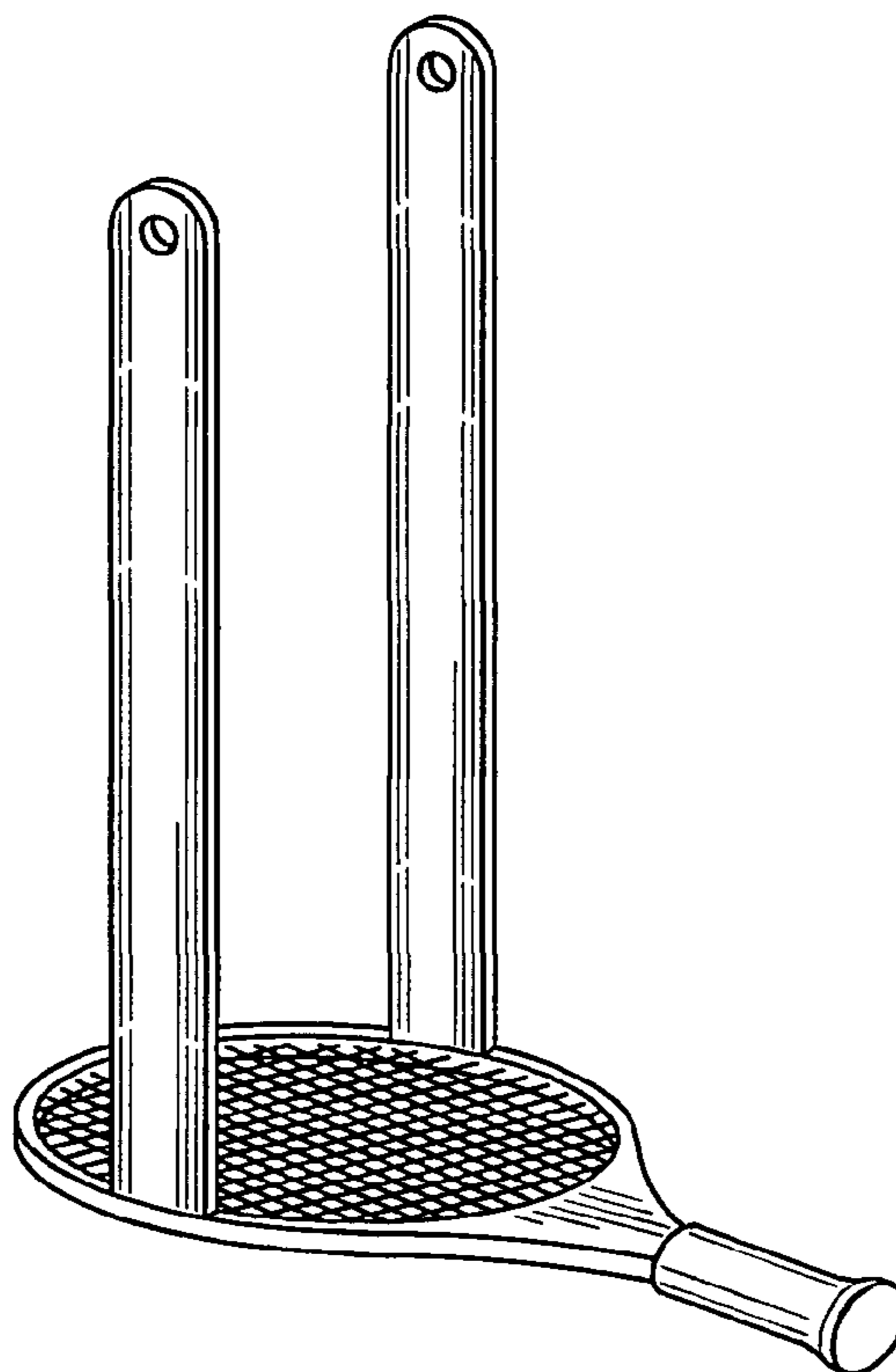


FIG. 3

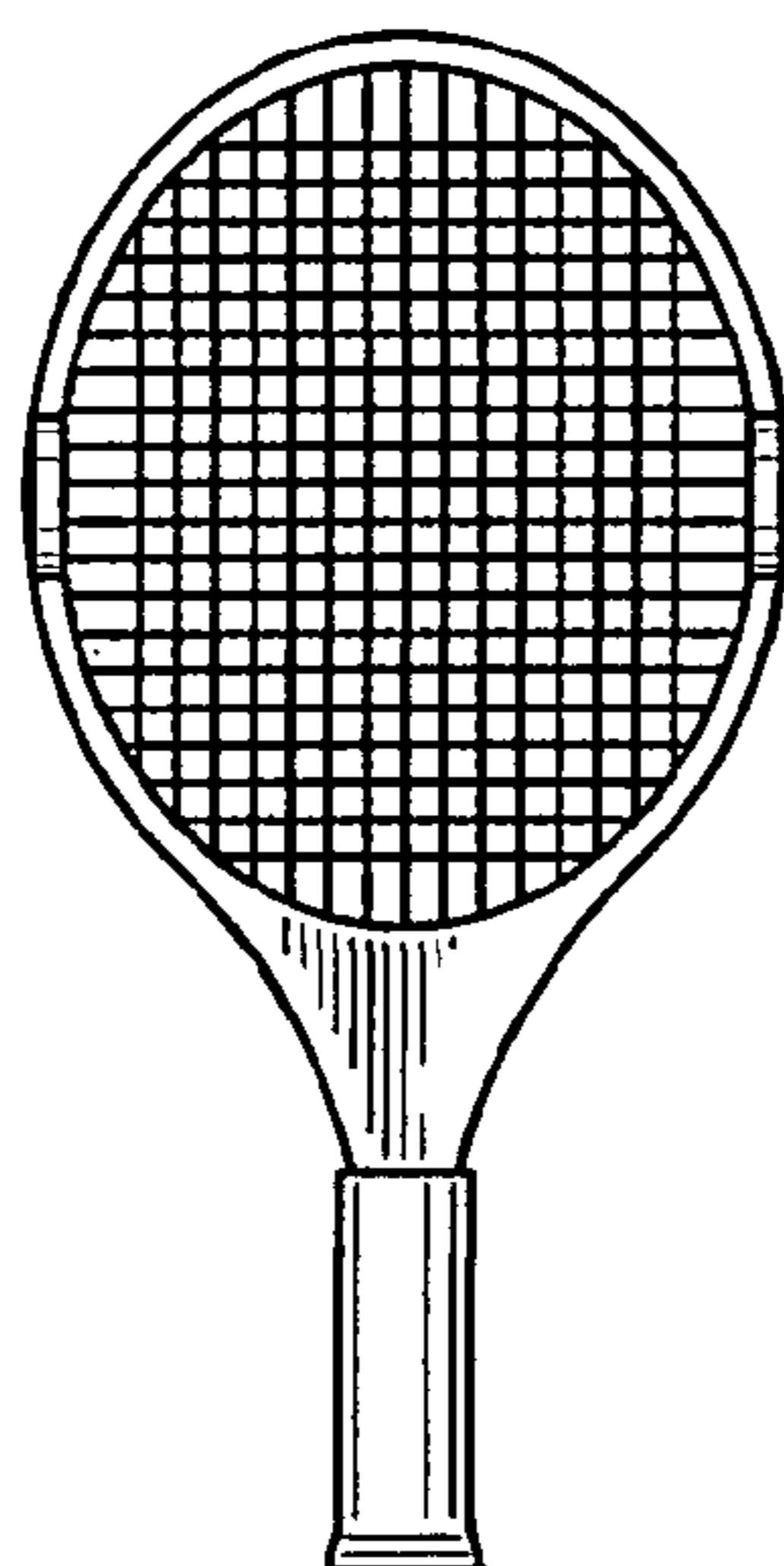


FIG. 4

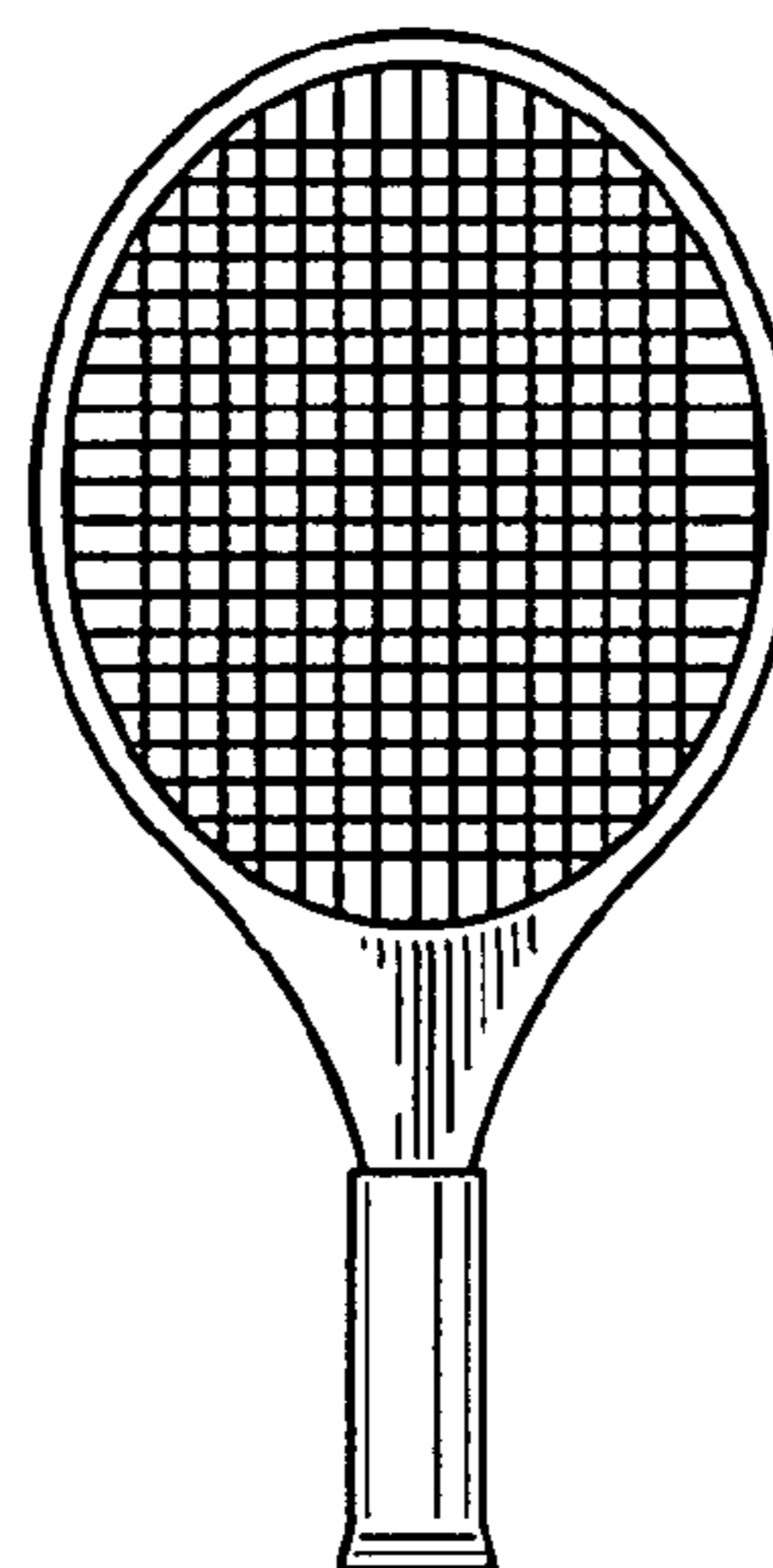


FIG. 5

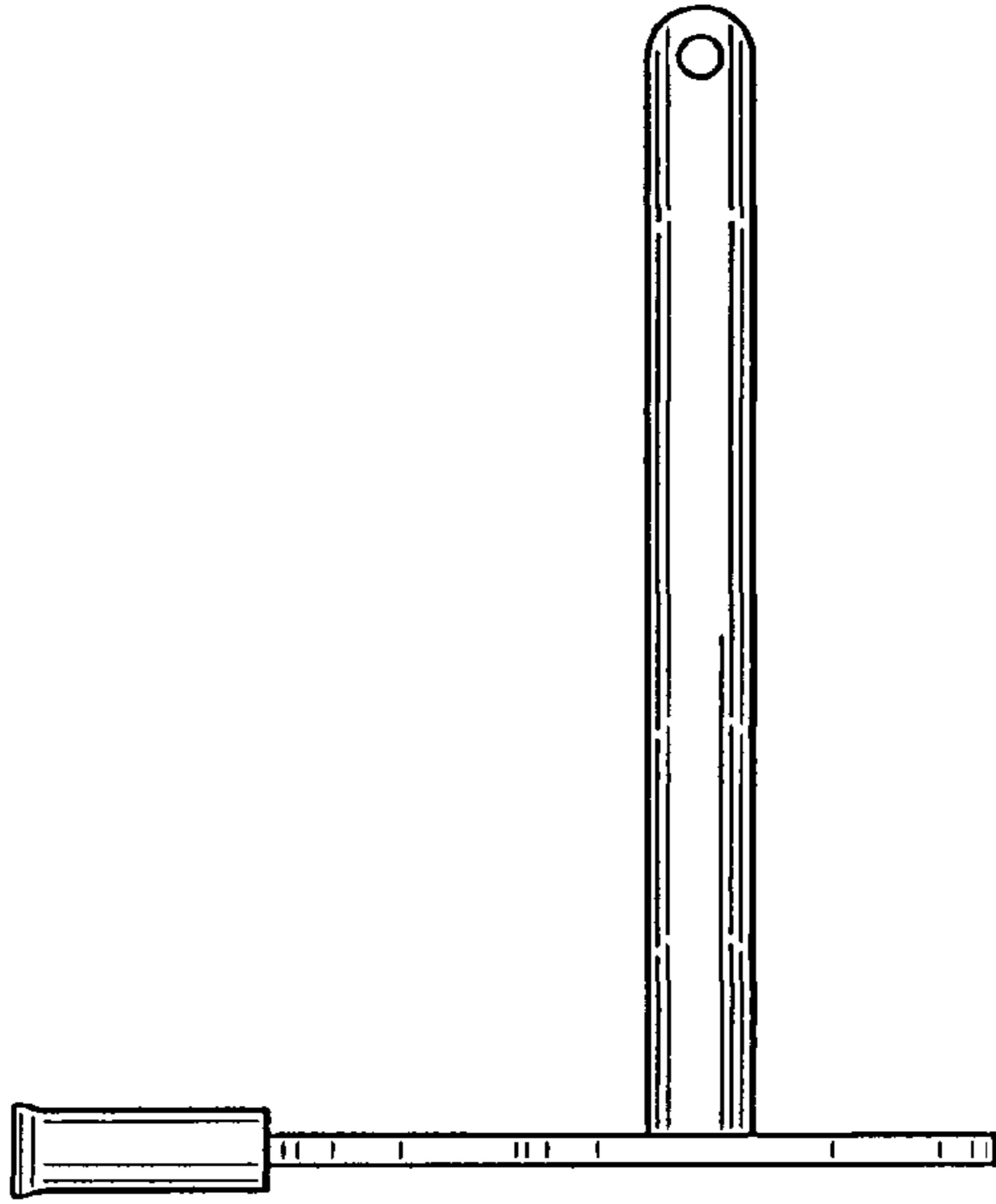


FIG. 6

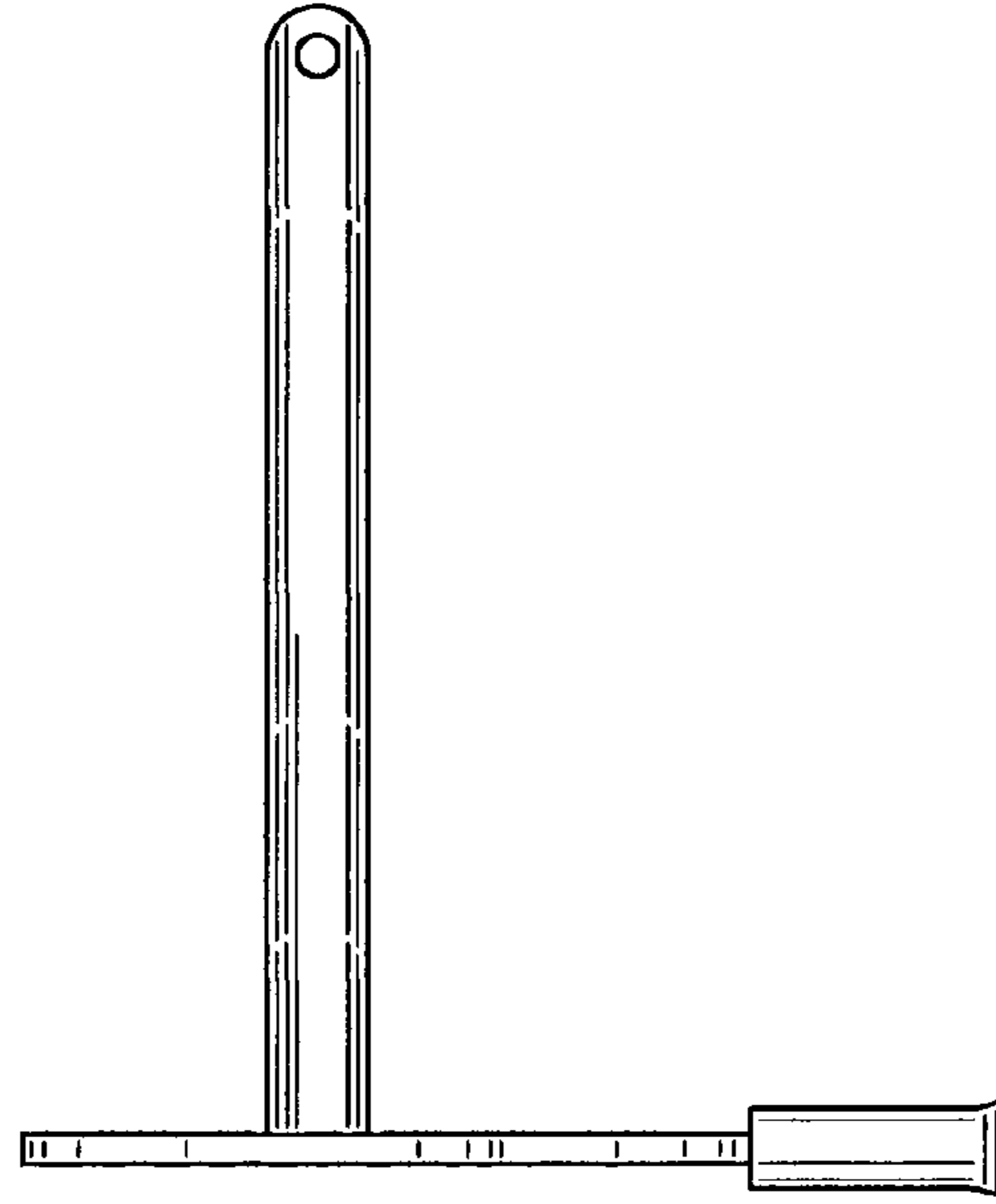


FIG. 7

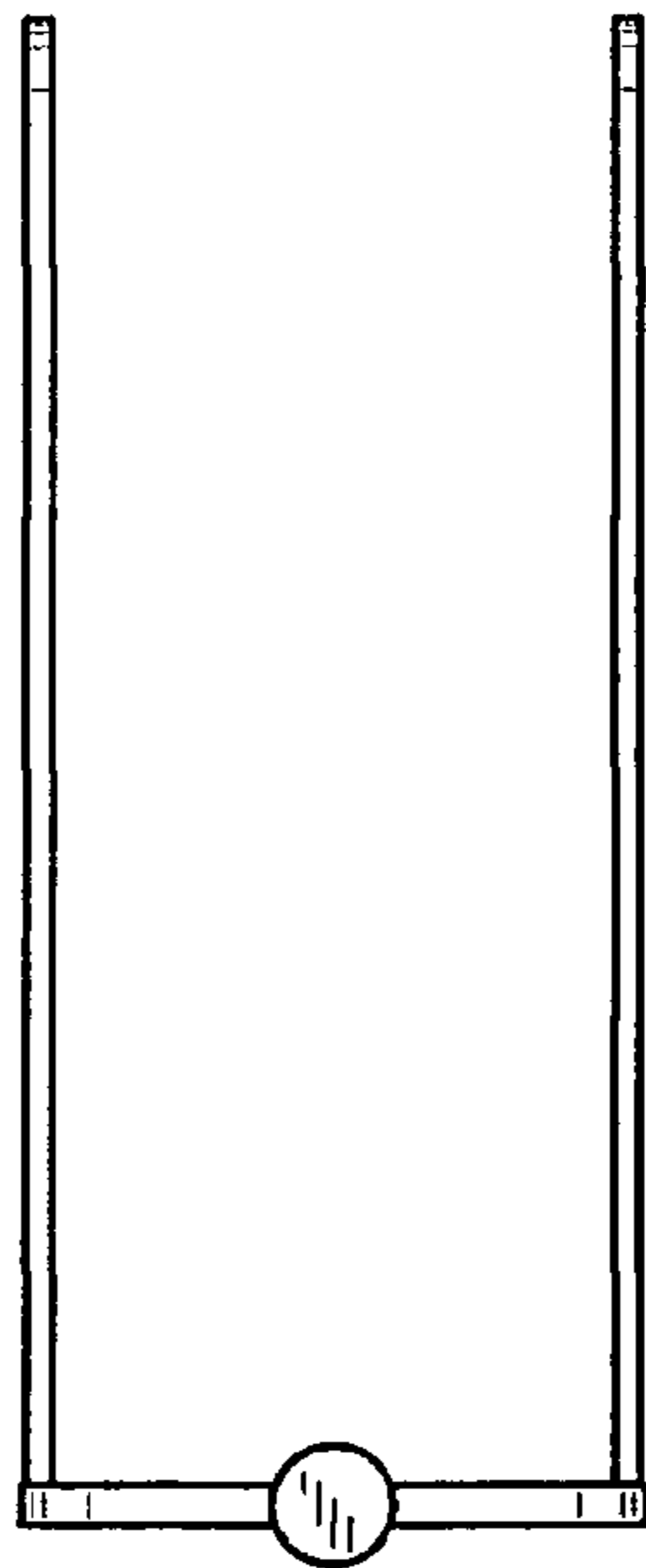


FIG. 8

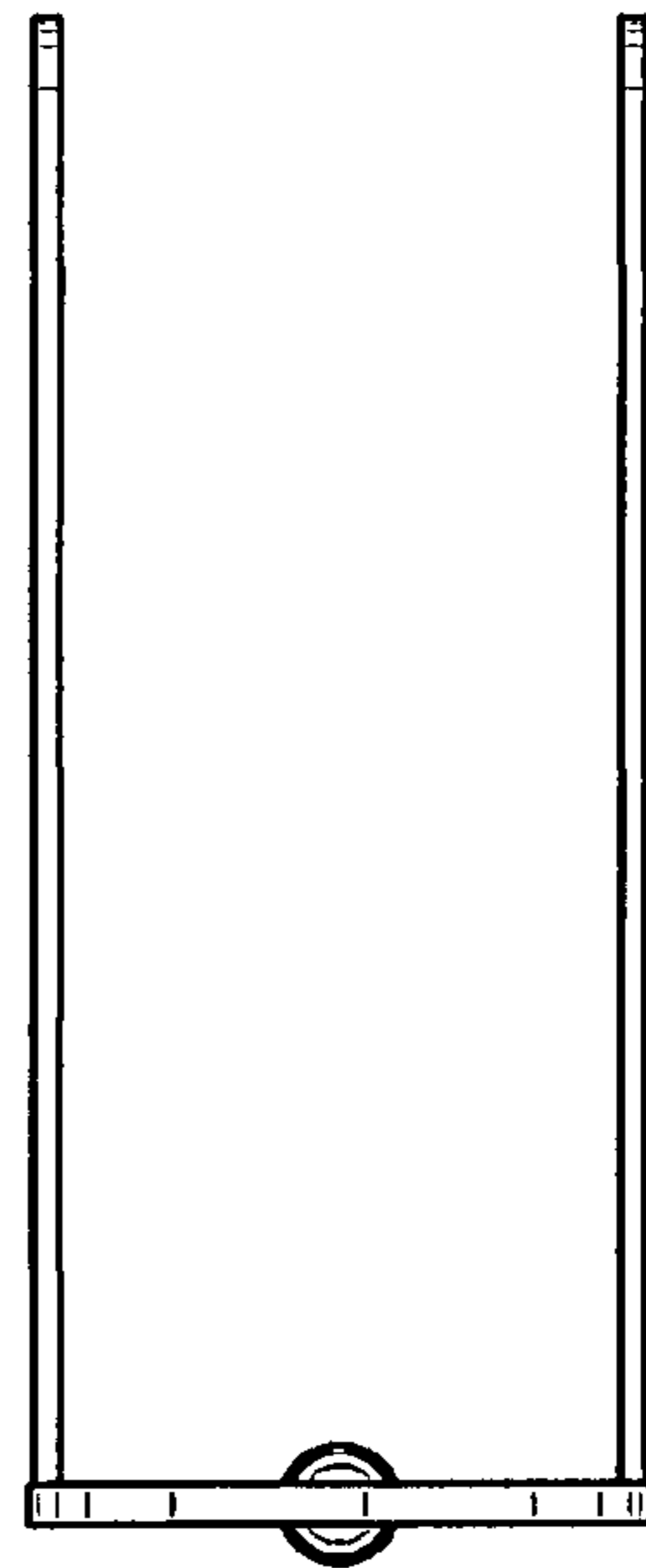


FIG. 9