



US00D736676S

(12) **United States Design Patent**  
**Ehrgott**

(10) **Patent No.:** **US D736,676 S**

(45) **Date of Patent:** **\*\* Aug. 18, 2015**

(54) **TRAILER RAMP**

(71) Applicant: **GAE Group LLC**, Hackettstown, NJ  
(US)

(72) Inventor: **Glenn A. Ehrgott**, Flanders, NJ (US)

(73) Assignee: **GAE GROUP LLC**, Hackettstown, NJ  
(US)

(\*\*) Term: **14 Years**

(21) Appl. No.: **29/489,299**

(22) Filed: **Apr. 29, 2014**

(51) **LOC (10) Cl.** ..... **12-10**

(52) **U.S. Cl.**  
USPC ..... **D12/106**

(58) **Field of Classification Search**  
USPC ..... D12/106, 19, 129, 100-105, 111-112;  
D21/425, 435; D34/16-19; 280/204,  
280/205, 63, 475, 482, 647; 296/168, 180,  
296/180.2, 61, 10, 100.01-100.08  
See application file for complete search history.

(56) **References Cited**

U.S. PATENT DOCUMENTS

3,704,794	A *	12/1972	Flamm	.....	414/537
6,076,215	A *	6/2000	Blankenship et al.	.....	14/71.1
6,536,064	B1 *	3/2003	Swink et al.	.....	14/69.5
6,769,583	B1 *	8/2004	Gordon et al.	.....	224/506
7,309,202	B1 *	12/2007	Anderson	.....	414/537
D593,724	S *	6/2009	Heinz	.....	D34/32

8,894,345	B1 *	11/2014	Richins et al.	.....	414/537
9,011,073	B2 *	4/2015	Dieziger	.....	414/506
2009/0123259	A1 *	5/2009	Barclay	.....	414/462
2010/0025955	A1 *	2/2010	Carr, Jr.	.....	280/166
2014/0271072	A1 *	9/2014	Friesen et al.	.....	414/537

\* cited by examiner

*Primary Examiner* — Katrina A Betton

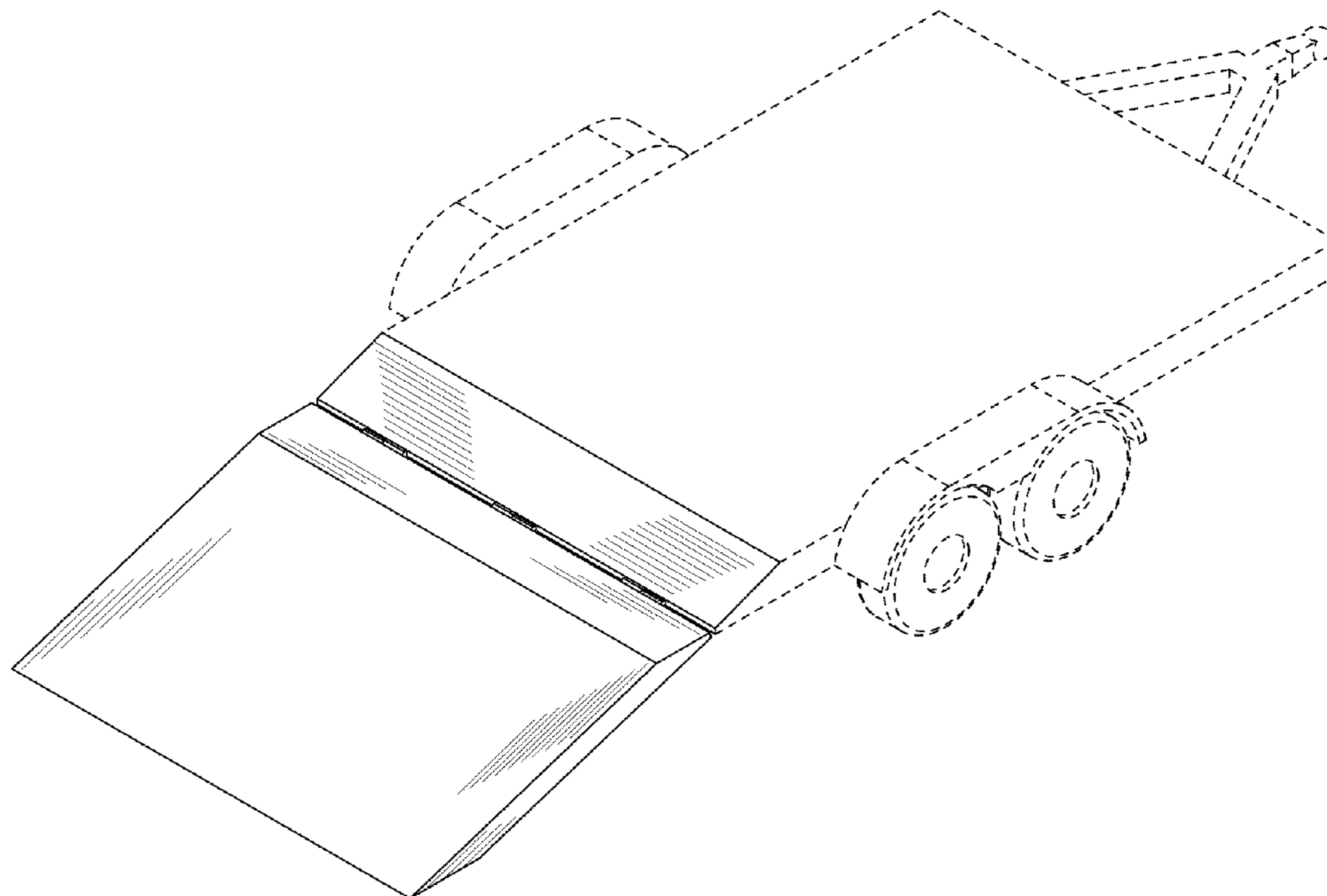
(57) **CLAIM**

The ornamental design for a trailer ramp, as shown and described.

**DESCRIPTION**

FIG. 1 is a perspective view of a trailer ramp;  
 FIG. 2 is a front elevational view thereof;  
 FIG. 3 is a rear elevational view thereof;  
 FIG. 4 is a right-side elevational view thereof;  
 FIG. 5 is a left-side elevational view thereof;  
 FIG. 6 is a top plan view thereof; and,  
 FIG. 7 is a bottom plan view thereof.  
 FIG. 8 is a perspective view of the trailer ramp connected to an alternative trailer embodiment; and  
 FIG. 9 is a right side view thereof.  
 FIG. 10 is a perspective view of the trailer ramp connected to another alternative trailer;  
 FIG. 11 is a right side view thereof; and,  
 FIG. 12 is a perspective view thereof with the ramp in a closed position.  
 In the drawings, the broken lines in depict portions various trailers that form no part of the claimed design.

**1 Claim, 12 Drawing Sheets**



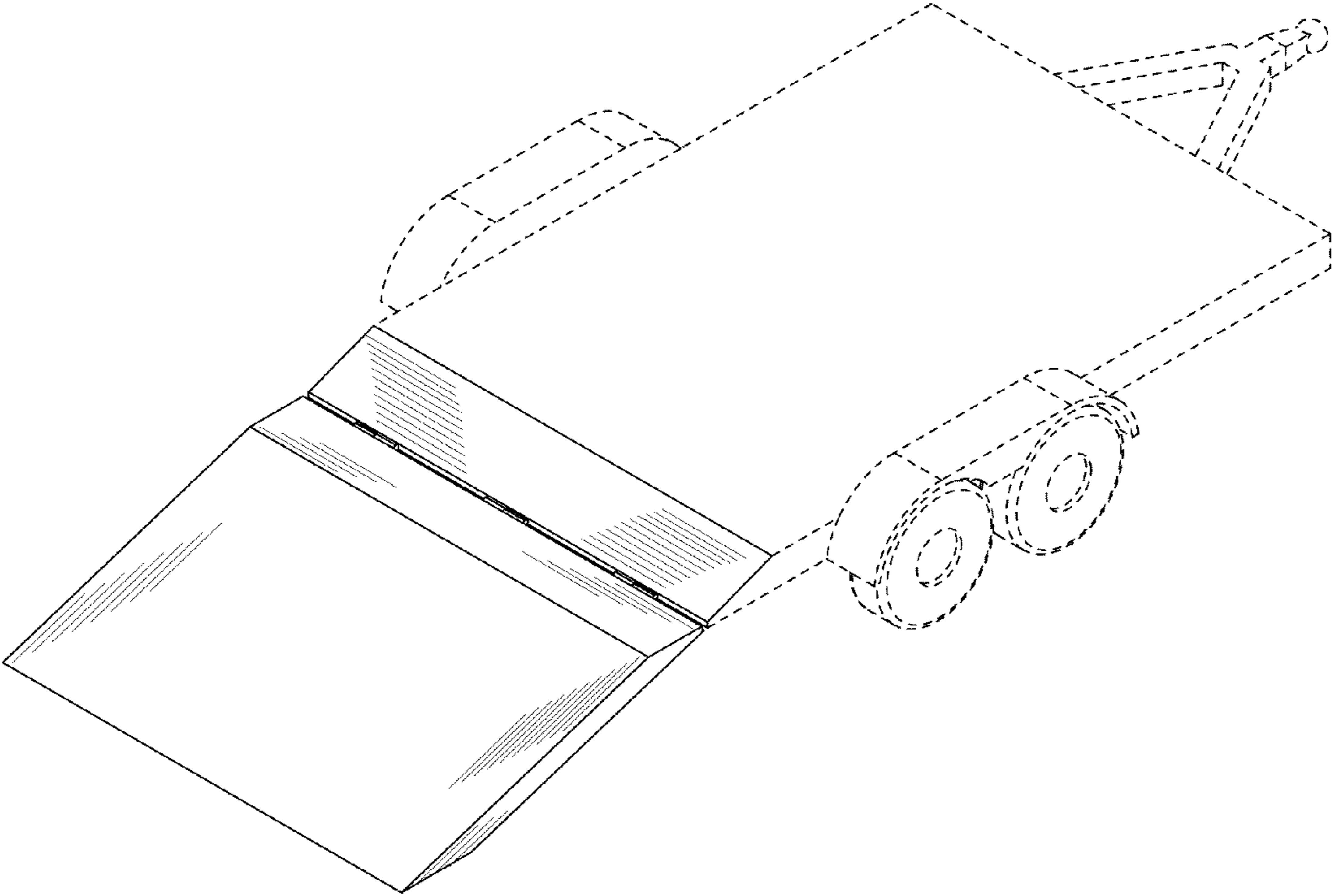


FIG. 1

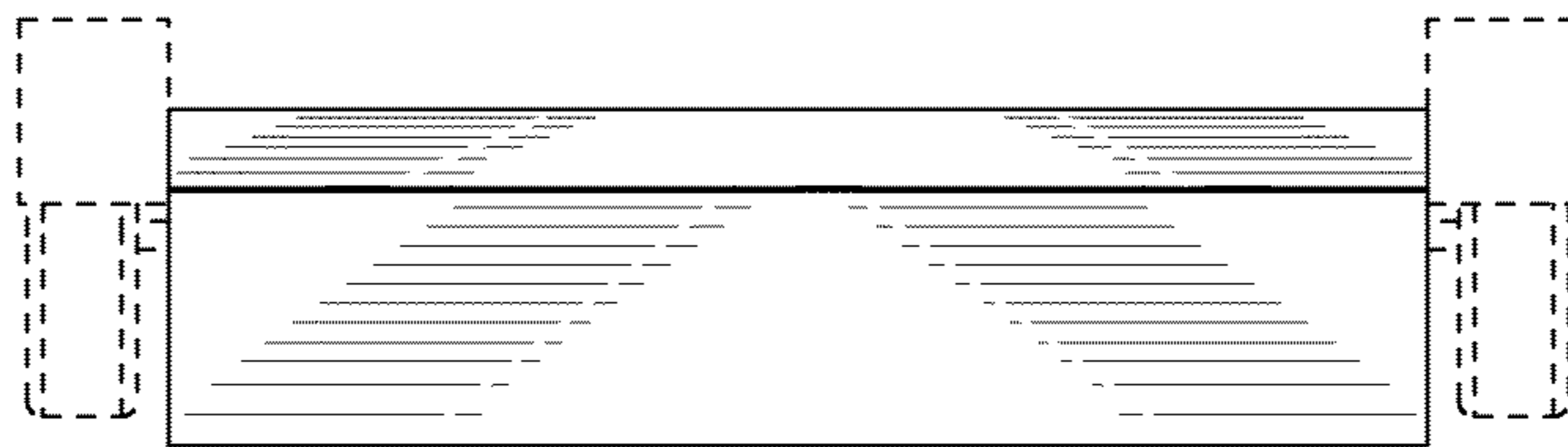


FIG. 2

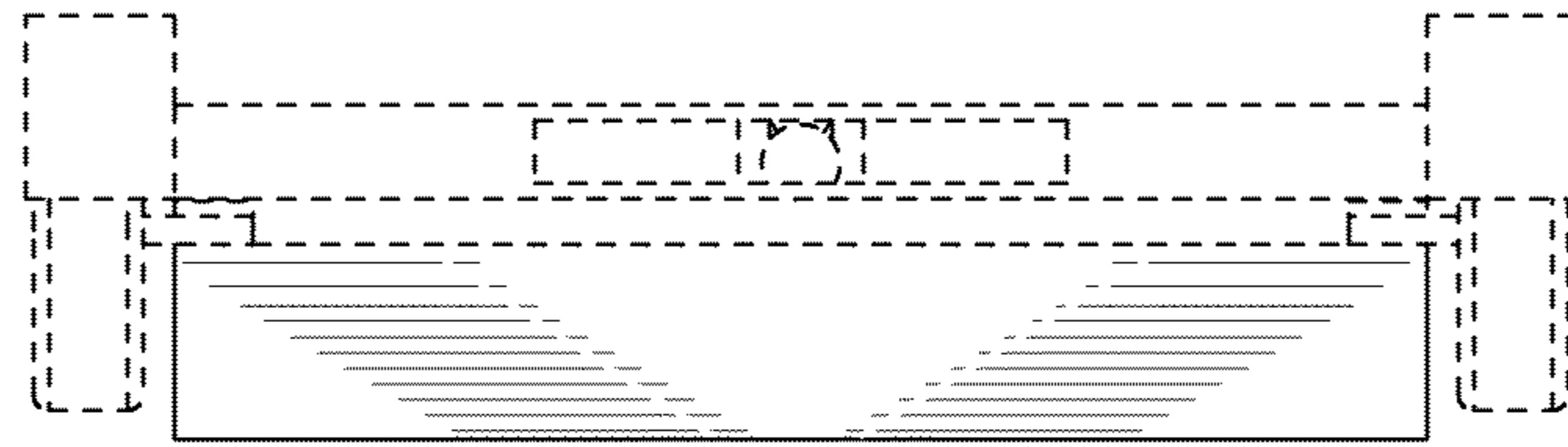


FIG. 3

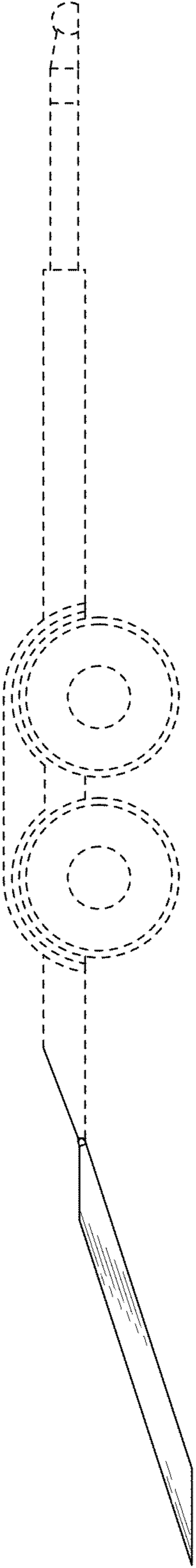


FIG. 4

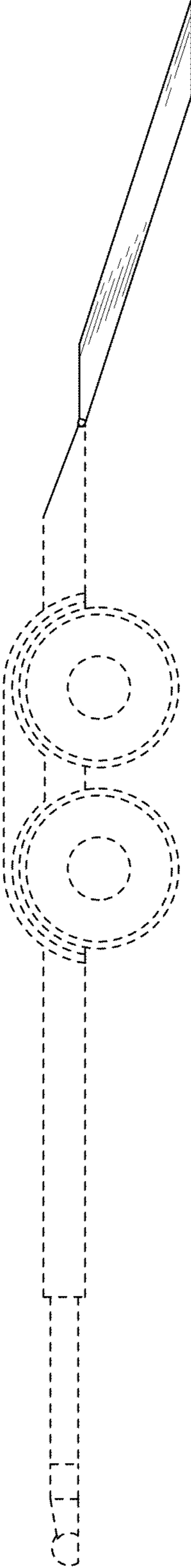


FIG. 5

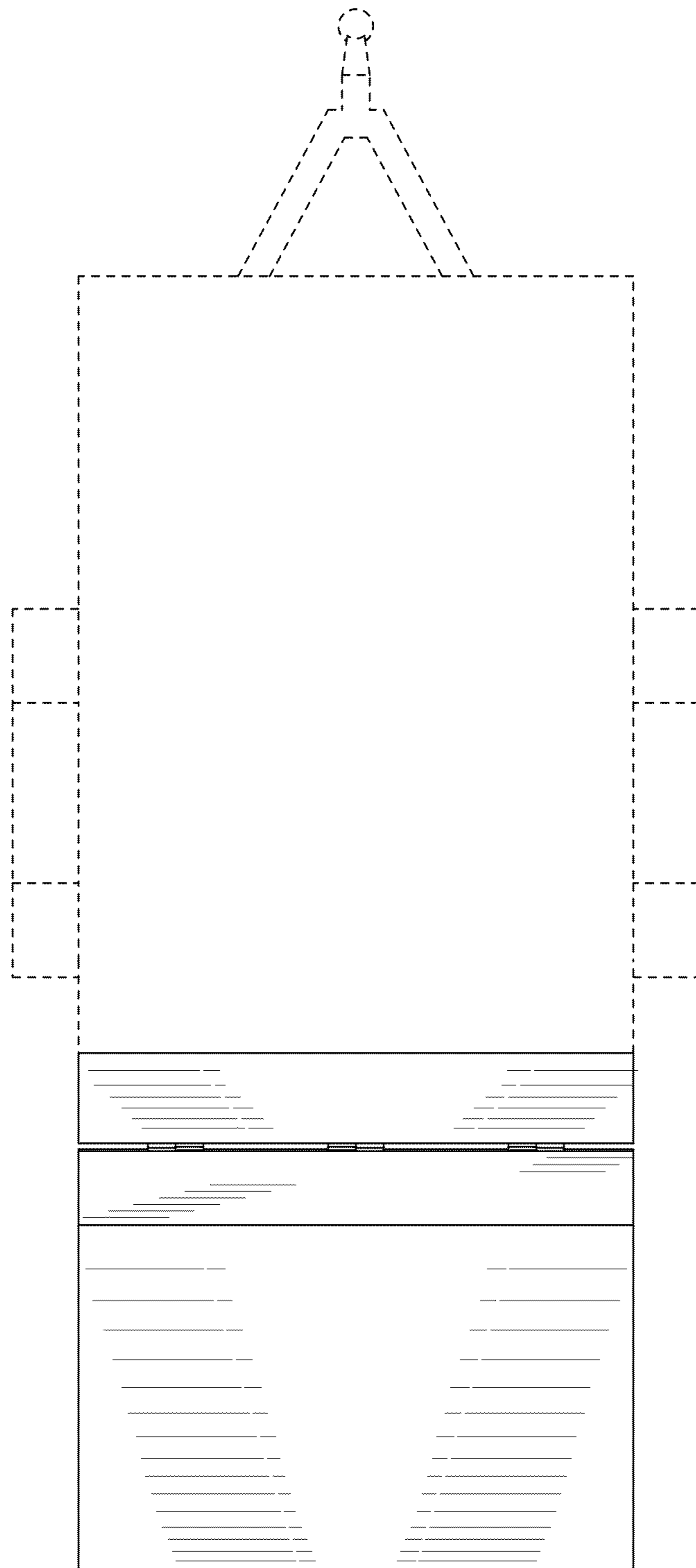


FIG. 6

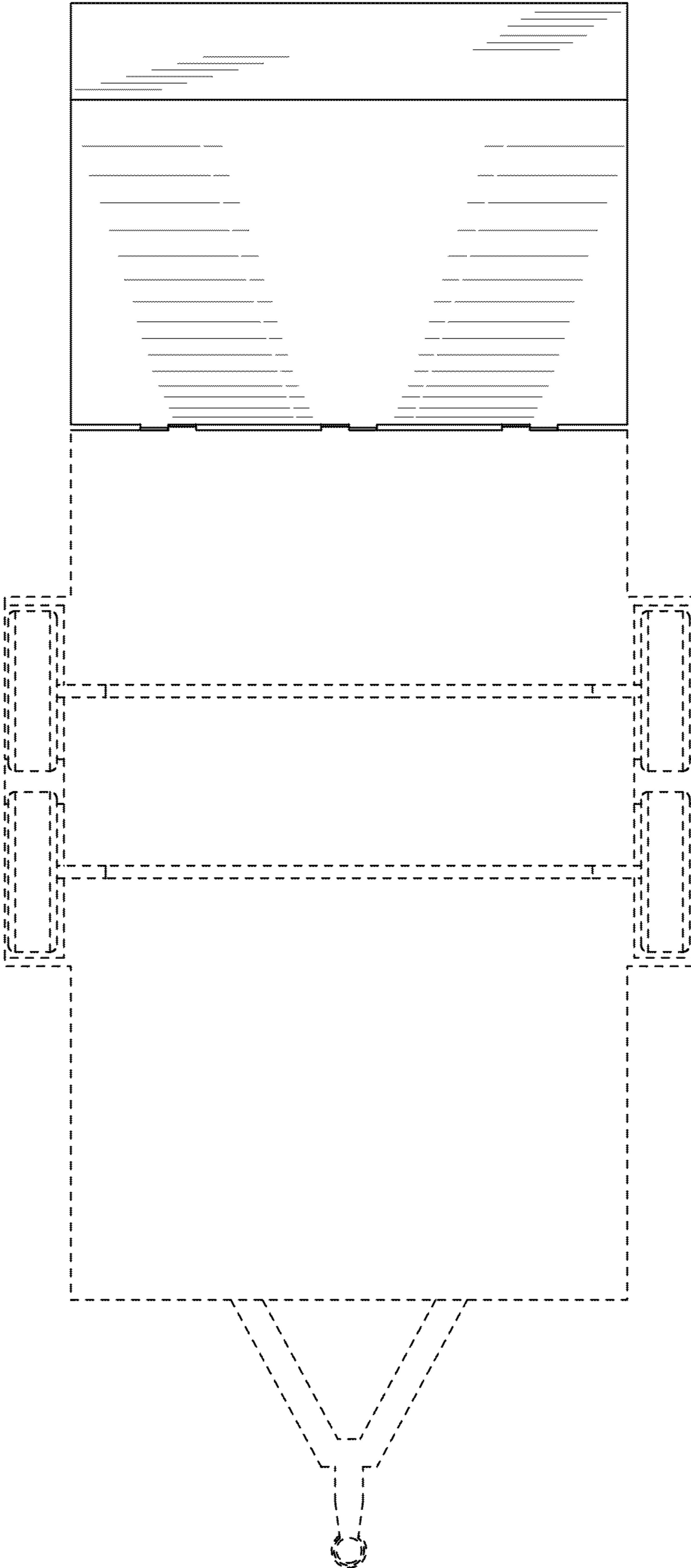


FIG. 7



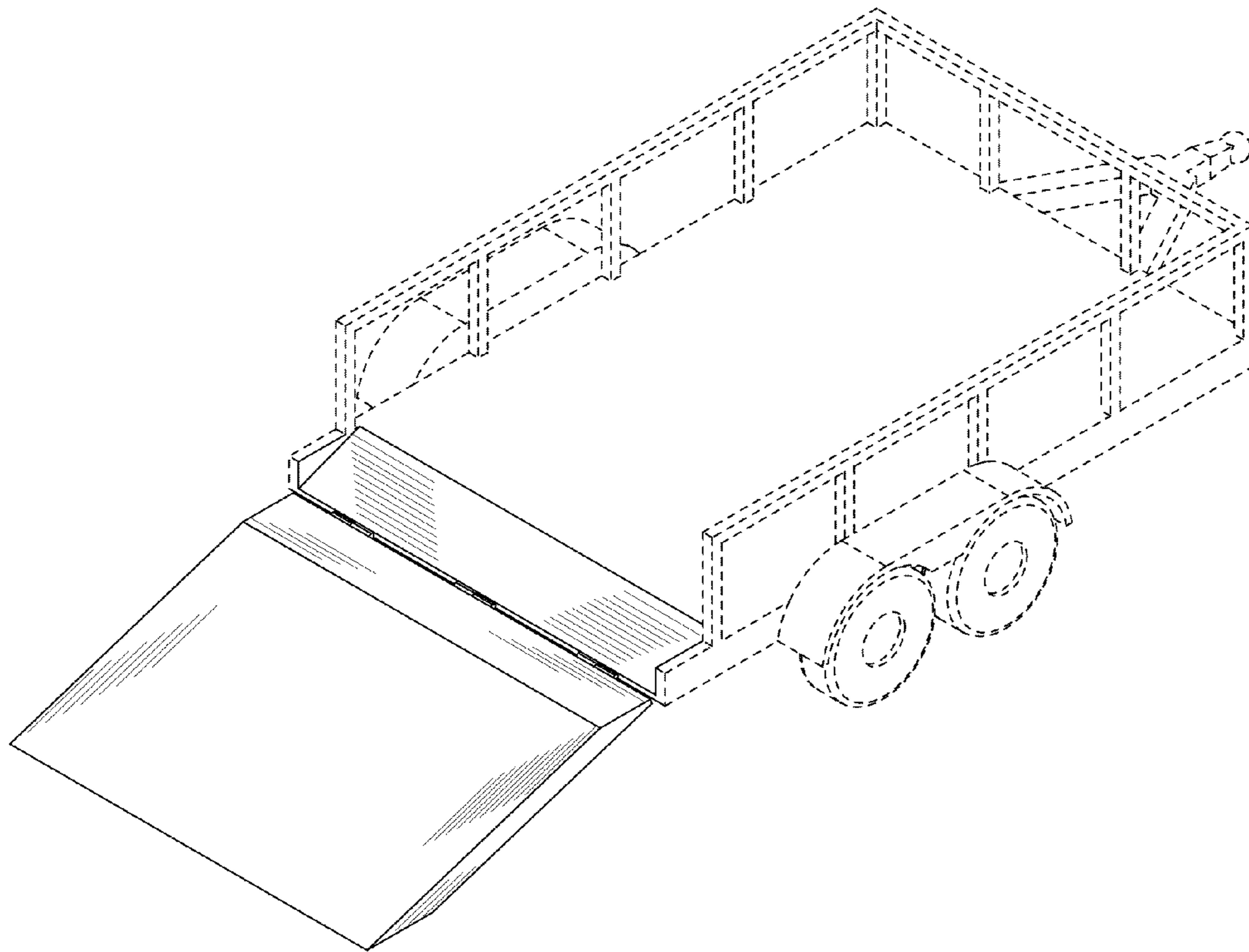


FIG. 8

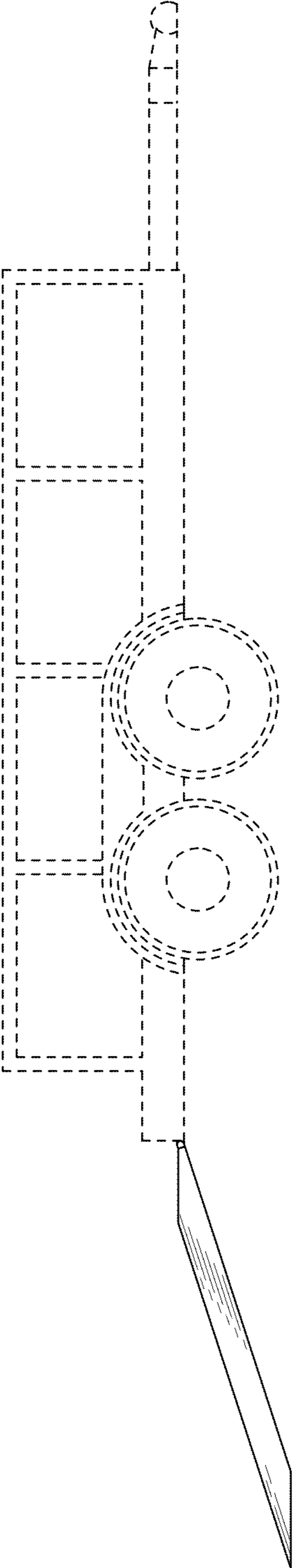


FIG. 9

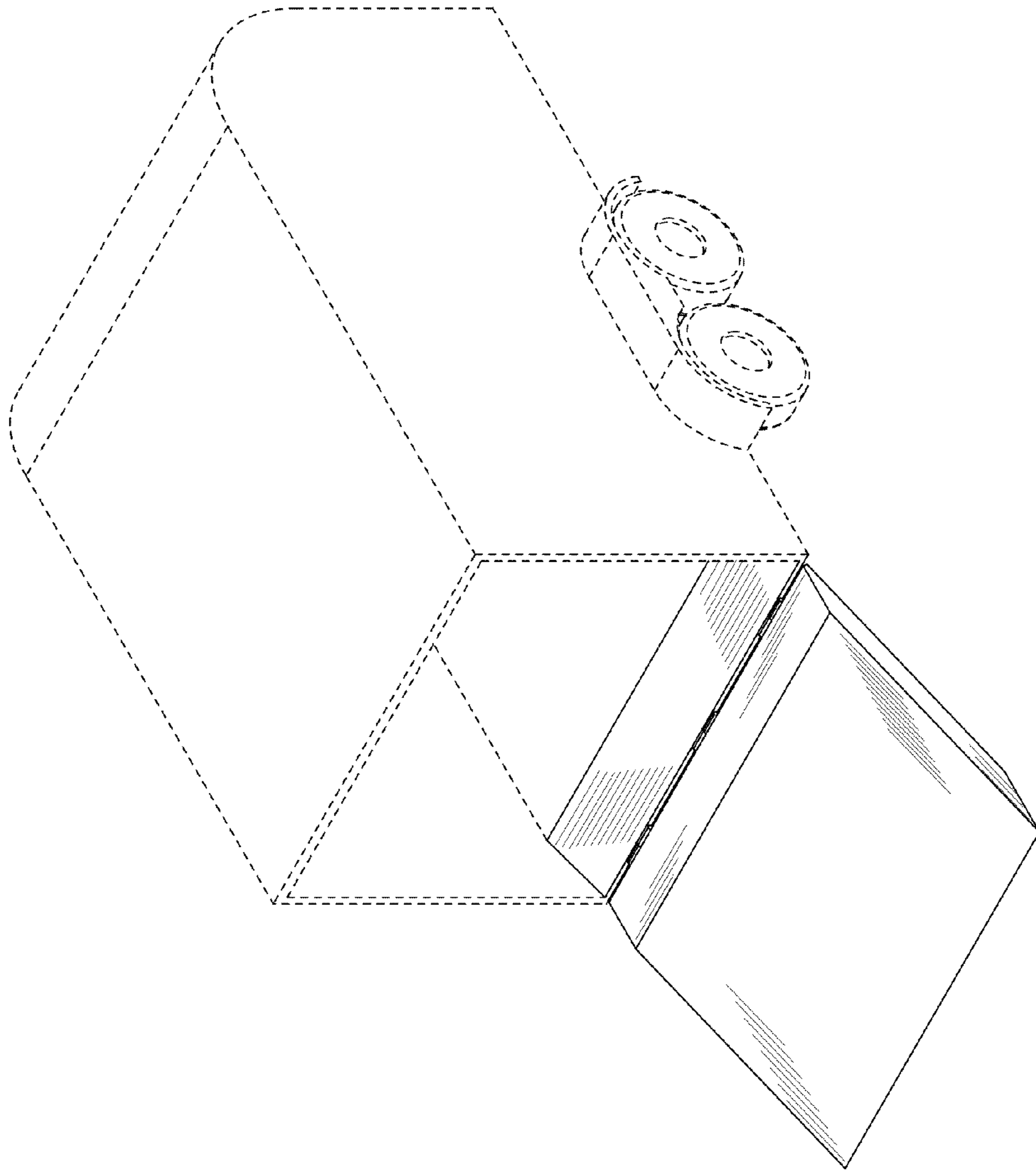


FIG. 10

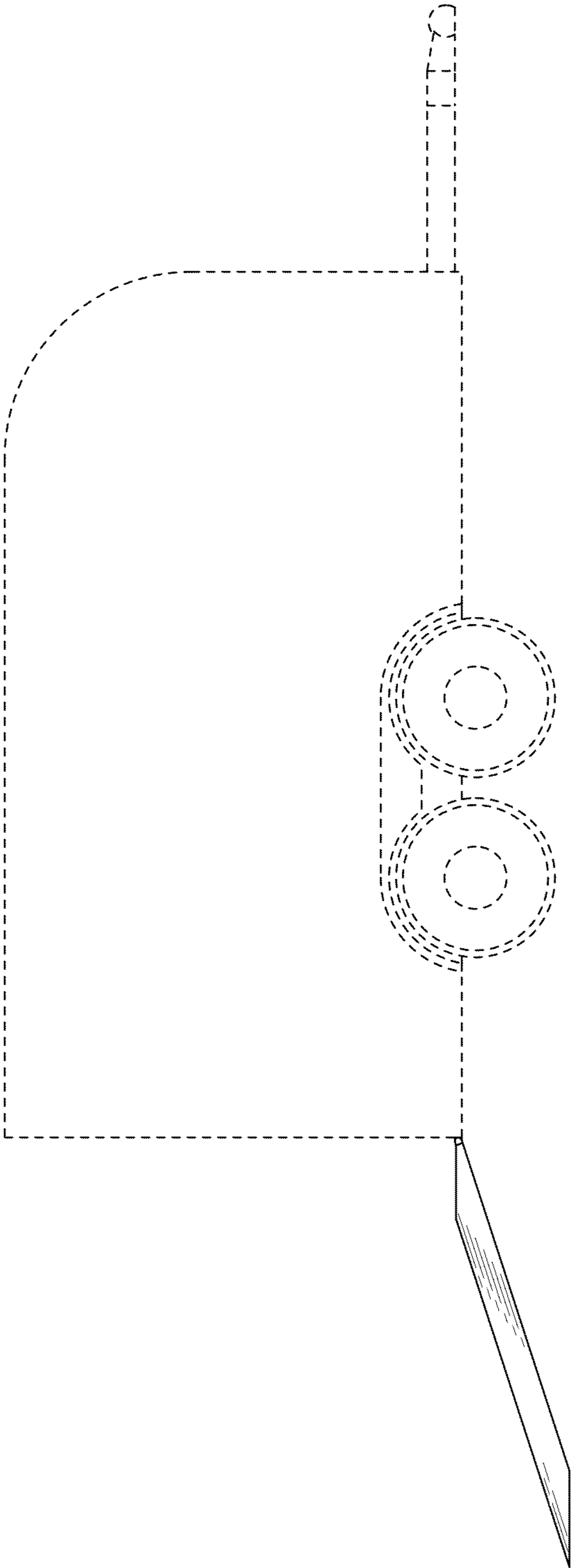


FIG. 11

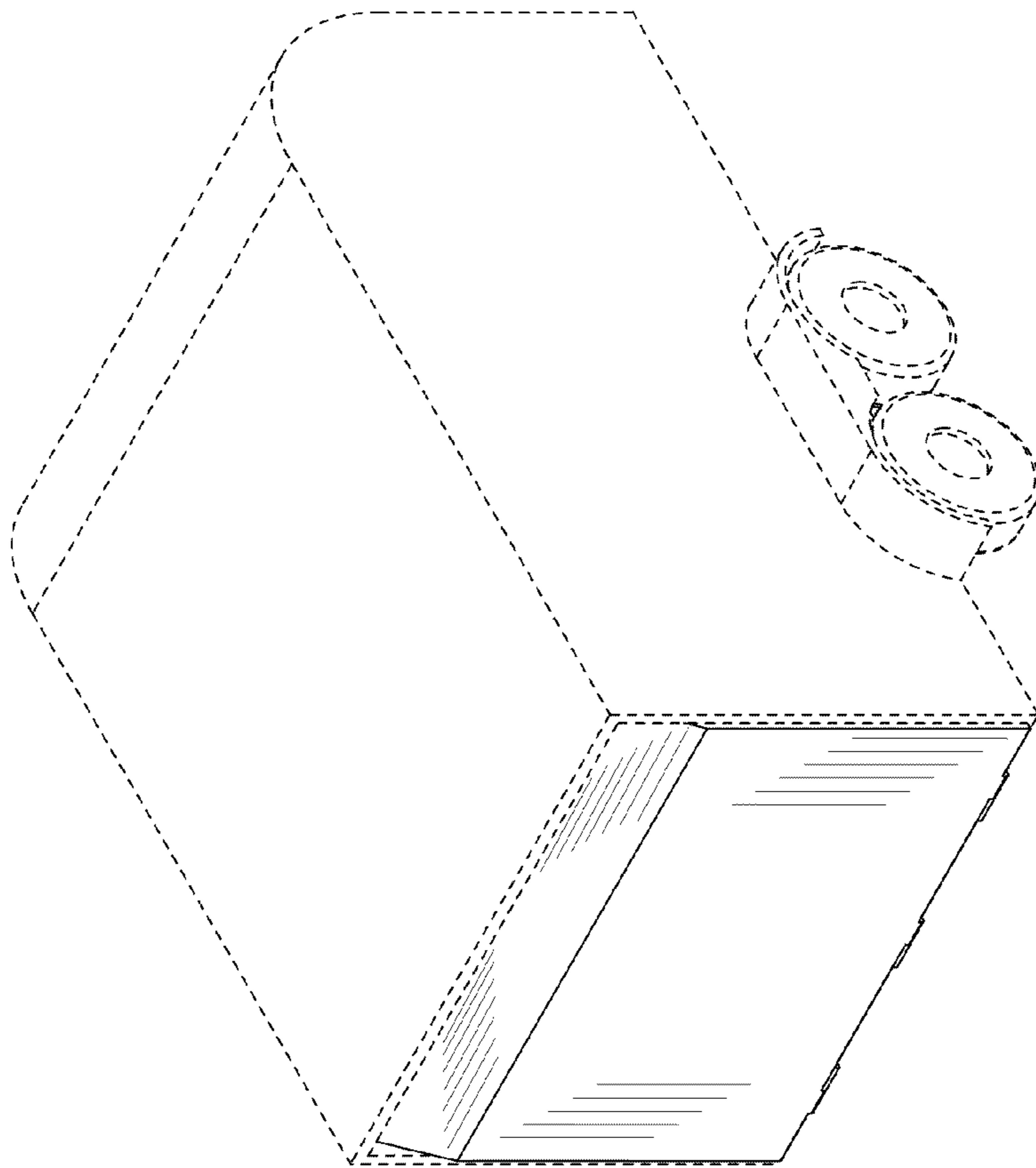


FIG. 12